

TOP LOAD WASHER OWNER'S MANUAL

MANUAL DEL USUARIO DE LA LAVADORA DE CARGA SUPERIOR

Table of Contents/Índice

WASHER SAFETY	2	SEGURIDAD DE LA LAVADORA	11
CHOOSING RIGHT DETERGENT	3	ELECCIÓN DEL DETERGENTE ADECUADO	12
WASHER MAINTENANCE AND CARE	3	MANTENIMIENTO Y CUIDADO DE LA LAVADORA	12
Water Inlet Hoses	3	Mangueras de entrada de agua	12
Washer Care	3	Cuidado de la lavadora	12
Non-Use and Vacation Care	4	Cuidados durante la falta de uso y las vacaciones	13
Winter Storage Care	4	Cuidados para el almacenamiento durante el invierno	13
Transporting Your Washer	4	Transporte de la lavadora	13
Reinstalling/Using Washer Again	4	Cómo reinstalar o usar la lavadora nuevamente	14
INSTALLATION INSTRUCTIONS	4	INSTRUCCIONES DE INSTALACIÓN	14
REQUIREMENTS	4	REQUISITOS	14
Tools and Parts	4	Herramientas y piezas	14
Location Requirements	5	Requisitos de ubicación	15
Drain System	6	Sistema de desagüe	15
Electrical Requirements	6	Requisitos eléctricos	16
INSTALLATION	7	INSTALACIÓN	17
Unpacking	7	Desempaque	17
Connect Drain Hose	8	Conecte la manguera de desagüe	18
Connect Inlet Hoses	8	Conexión de las mangueras de entrada	18
Level Washer	9	Nivelación de la lavadora	19
Complete Installation Checklist	10	Lista de control de la instalación terminada	20

WASHER SAFETY

Your safety and the safety of others are very important.

We have provided many important safety messages in this manual and on your appliance. Always read and obey all safety messages.



This is the safety alert symbol.

This symbol alerts you to potential hazards that can kill or hurt you and others.

All safety messages will follow the safety alert symbol and either the word "DANGER" or "WARNING." These words mean:

▲ DANGER

You can be killed or seriously injured if you don't immediately follow instructions.

▲ WARNING

You can be killed or seriously injured if you don't follow instructions.

All safety messages will tell you what the potential hazard is, tell you how to reduce the chance of injury, and tell you what can happen if the instructions are not followed.

IMPORTANT SAFETY INSTRUCTIONS

WARNING: To reduce the risk of fire, electric shock, or injury to persons when using your appliance, follow basic precautions, including the following:

- Read all instructions before using the appliance.
- Do not wash articles that have been previously cleaned in, washed in, soaked in, or spotted with gasoline, dry-cleaning solvents, or other flammable or explosive substances, as they give off vapors that could ignite or explode.
- Do not add gasoline, dry-cleaning solvents, or other flammable or explosive substances to the wash water. These substances give off vapors that could ignite or explode.
- Under certain conditions, hydrogen gas may be produced in a hot-water system that has not been used for 2 weeks or more. **HYDROGEN GAS IS EXPLOSIVE.** If the hot-water system has not been used for such a period, before using a washing machine, turn on all hot-water faucets and let the water flow from each for several minutes. This will release any accumulated hydrogen gas. As the gas is flammable, do not smoke or use an open flame during this time.
- Do not allow children to play on or in the appliance. Close supervision of children is necessary when the appliance is used near children.
- Before the appliance is removed from service or discarded, remove the door.
- Do not reach into the appliance if the tub or agitator is moving.
- Do not install or store this appliance where it will be exposed to the weather.
- Do not tamper with controls.
- Do not repair or replace any part of the appliance or attempt any servicing unless specifically recommended in the user-maintenance instructions or in published user-repair instructions that you understand and have the skills to carry out.
- Do not use replacement parts that have not been recommended by the manufacturer (e.g. parts made at home using a 3D printer).
- See the Installation Instructions for grounding requirements and installation.

SAVE THESE INSTRUCTIONS

WARNING

Certain internal parts are intentionally not grounded and may present a risk of electric shock only during servicing.
Service Personnel – Do not contact the thermostat bracket while the appliance is energized.

CHOOSING RIGHT DETERGENT

CHOOSING THE RIGHT DETERGENT

Use only High Efficiency detergents. The package will be marked "HE" or "High Efficiency." Low-water washing creates excessive sudsing with a non-HE detergent. Using non-HE detergent will likely result in longer cycle times and reduced rinsing performance. It may also result in component malfunction and, over time, buildup of mold or mildew. HE detergents should be low-sudsing and quick-dispersing to produce the right amount of suds for the best performance. They should hold soil in suspension so it is not redeposited onto clean clothes. Not all detergents labeled as High Efficiency are identical in formulation and their ability to reduce suds. For example, natural, organic, or homemade HE detergents may generate a high level of suds. Always follow the detergent manufacturer's instructions to determine the amount of detergent to use. Do not go over the Max Line on the dispenser. See Quick Start Guide for more information.

WASHER MAINTENANCE AND CARE

Water Inlet Hoses

Replace inlet hoses after 5 years of use to reduce the risk of hose failure. Periodically inspect and replace inlet hoses if bulges, kinks, cuts, wear, or leaks are found.

When replacing your inlet hoses:

- Mark the date of replacement on the label with a permanent marker.
- Check that the old washers are not stuck on the washer inlet valves.
- Use new washers in the new inlet hoses to ensure a proper seal.

NOTE: This washer may not include inlet hoses. See the Installation Instructions for more information.

Washer Care

Recommendations to help keep your washer clean and performing at its best

1. Always use High Efficiency (HE) detergents and follow the HE detergent manufacturer's instructions regarding the amount of HE detergent to use. Never use more than the recommended amount because that may increase the rate at which detergent and soil residue accumulate inside your washer, which in turn may result in undesirable odor.
2. Use warm and hot wash water settings sometimes (not exclusively cold water washes), because they do a better job of controlling the rate at which soils and detergent accumulate.
3. Always leave the washer lid open between uses to help dry out the washer and prevent the buildup of odor-causing residue.

Cleaning your top-loading washer

Read these instructions completely before beginning the routine cleaning processes recommended below. This Washer Maintenance Procedure should be performed, at a minimum, once per month or every 30 wash cycles, whichever occurs sooner, to control the rate at which soils and detergent may otherwise accumulate in your washer.

Cleaning the inside of the washer

To keep your washer odor-free, follow the usage instructions provided above and use this recommended monthly cleaning procedure:

Recommended cycle for cleaning the Washer

Some models have a "Clean Washer" cycle that uses higher water volumes in combination with †affresh® Washer Cleaner or liquid chlorine bleach to clean the inside of the washer.

If your model does not have a "Clean Washer" cycle, refer to the online Cycle Guide for the optimal cycle for cleaning the inside of the washer. Use this cycle with affresh® Washer Cleaner or liquid chlorine bleach as described below.

Description of Clean Washer with affresh® cycle operation:

1. This cycle will fill to a washer level high than in normal wash cycles to provide rinsing than in normal wash cycles to provide rinsing at a level above the water line for normal wash.
2. During this cycle, there will be some agitation and spinning to increase the removal of soils.

After this cycle is complete, leave the lid open to allow for better ventilation and drying of the washer interior.

Begin procedure

1. **Affresh® washer cleaner cycle procedure (recommended for best performance):**
 - a. Open the washer lid and remove any clothing or items.
 - b. Place an affresh® Washer Cleaner tablet in the bottom of the washer basket.
 - c. Do not place an affresh® Washer Cleaner tablet in the detergent dispenser.
 - d. Do not add any detergent or other chemical to the washer when following this procedure.
 - e. Close the washer lid.
 - f. Select the cycle recommended for cleaning the inside of the washer.
 - g. Press the START button to start the cycle.

NOTE: For best results, do not interrupt cycle. If cycle must be interrupted, press POWER/CANCEL. (For models with no Power/Cancel button, press and hold START/PAUSE for three seconds.) After the cycle has stopped, run a Rinse & Spin cycle to rinse cleaner from washer.

2. **Chlorine bleach procedure (alternative):**
 - a. Open the washer lid and remove any clothing or items.
 - b. Add 1 cup (236 mL) of liquid chlorine bleach to the bleach compartment.

NOTE: Use of more liquid chlorine bleach than is recommended above could cause washer damage over time.
 - c. Close the washer lid.
 - d. Do not add any detergent or other chemical to the washer when following this procedure.
 - e. Select the cycle recommended for cleaning the inside of the washer.
 - f. Press the START button to start the cycle.

NOTE: For best results, do not interrupt cycle. If cycle must be interrupted, press POWER/CANCEL. (For models with no Power/Cancel button, press and hold START/PAUSE for three seconds.) After the cycle has stopped, run a Rinse & Spin cycle to rinse cleaner from washer.

†affresh® is a registered trademark of Whirlpool, U.S.A Used with permission.

Cleaning the dispensers

After a period of using your washer, you may find some residue buildup in the washer's dispensers.

IMPORTANT: Dispensers are not dishwasher-safe.

For non-removable dispensers:

To remove residue from the dispensers, wipe them with an affresh® Machine Cleaning Wipe or a damp cloth and towel dry. Do not attempt to remove the dispensers or trim for cleaning. The dispensers and trim are not removable.

For removable dispensers:

If your model has a dispenser drawer, press tab(s) to remove the drawer and clean it with an affresh® Machine Cleaning Wipe or a damp cloth and towel dry before or after you run the Clean Washer cycle. Use an all-purpose surface cleaner, if needed.

Cleaning the outside of the washer

IMPORTANT: To avoid damaging the washer's finish, do not use abrasive products.

Use an affresh® Machine Cleaning Wipe, a soft, damp cloth, or sponge to wipe away any spills. Use an affresh® Machine Cleaning Wipe or only mild soaps or cleaners when cleaning external washer surfaces.

Non-Use and Vacation Care

Operate your washer only when you are home. If moving, or not using your washer for a period of time, follow these steps:

1. Unplug or disconnect power to washer.
2. Turn off water supply to washer to avoid flooding due to water pressure surge.

Winter Storage Care

IMPORTANT: To avoid damage, install and store washer where it will not freeze. Because some water may stay in hoses, freezing can damage washer. If storing or moving during freezing weather, winterize your washer.

To winterize washer:

1. Shut off both water faucets; disconnect and drain water inlet hoses.
2. Put 1 L (1 quart) of R.V.-type antifreeze in basket and run washer on Rinse & Spin cycle for about 30 seconds to mix antifreeze and remaining water.
3. Unplug washer or disconnect power.

Transporting Your Washer

1. Shut off both water faucets. Disconnect and drain water inlet hoses.
2. If washer will be moved during freezing weather, follow "Winter Storage Care" directions before moving.
3. Disconnect drain hose from drain system and drain any remaining water into a pan or bucket. Disconnect drain hose from back of washer.
4. Unplug power cord.
5. Place inlet hoses and drain hose inside washer basket.
6. Drape power cord over edge and into washer basket.
7. Place original shipping materials back inside washer. If you do not have shipping materials, place heavy blankets or towels into basket opening. Close lid and place tape over lid and down front of washer. Keep lid taped until washer is placed in new location. Transport washer in the upright position.

Reinstalling/Using Washer Again

⚠ WARNING



Electrical Shock Hazard

Plug into a grounded 3 prong outlet.

Do not remove ground prong.

Do not use an adapter.

Do not use an extension cord.

Failure to follow these instructions can result in death, fire, or electrical shock.

To reinstall washer after nonuse, vacation, winter storage, or moving:

1. Refer to Installation Instructions to locate, level, and connect washer.
2. Before using again, run washer through the following recommended procedure:

To use washer again:

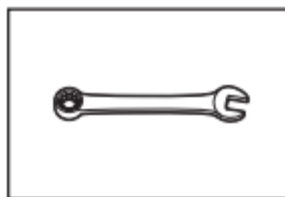
1. Flush water pipes and hoses.
2. Reconnect water inlet hoses.
3. Turn on both water faucets.
4. Plug into a grounded 3 prong outlet or reconnect power.
5. See your online Cycle Guide for information about which cycle(s) to run your washer through to clean washer and remove antifreeze, if used. Use only HE High Efficiency detergent. Use half the manufacturer's recommended amount for a medium-size load.

INSTALLATION INSTRUCTIONS REQUIREMENTS

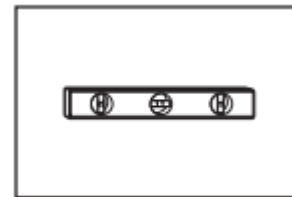
Tools and Parts

Gather required tools and parts before starting installation.

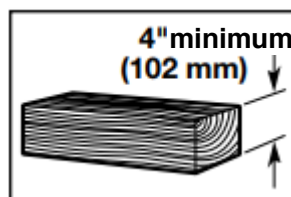
Tools Needed:



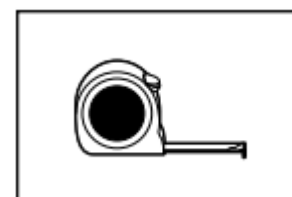
Adjustable or open end wrench 9/16" (14 mm)



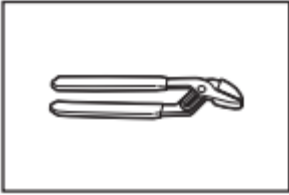
Level



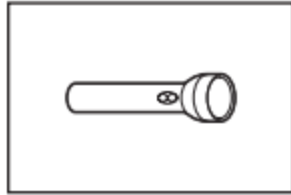
Wood block



Ruler or measuring tape



Adjustable pliers that open to 1 3/4" (45 mm)



Flashlight



Bucket

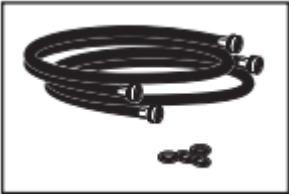
Parts Supplied:

NOTE: All parts supplied for installations are in the washer.



Drain hose with clamp, U-form, and cable tie

Parts Needed: (if not supplied with washer)



Inlet hoses with flat washers

NOTE: Various inlet hose options are available; check your Quick Start Guide for ordering information.

Alternate Parts: (not supplied with washer)

Your installation may require additional parts. To order, please refer to the contact information referenced in your Quick Start Guide.

If you have:

Overhead sewer

1" (25 mm) standpipe

Drain hose too short

Lint-clogged drain

You will need:

Standard 20 gallons (76 L) 39" (990 mm) tall drain tub or utility sink, sump pump, and connectors (available from local plumbing suppliers)

2" (51 mm) diameter to 1" (25 mm) diameter standpipe adapter and connector kit

Extension drain hose and connector kit

Drain protector and connector kit

Location Requirements

Select proper location for your washer to improve performance and minimize noise and possible "washer walk." Install your washer in a basement, laundry room, closet, or recessed area.

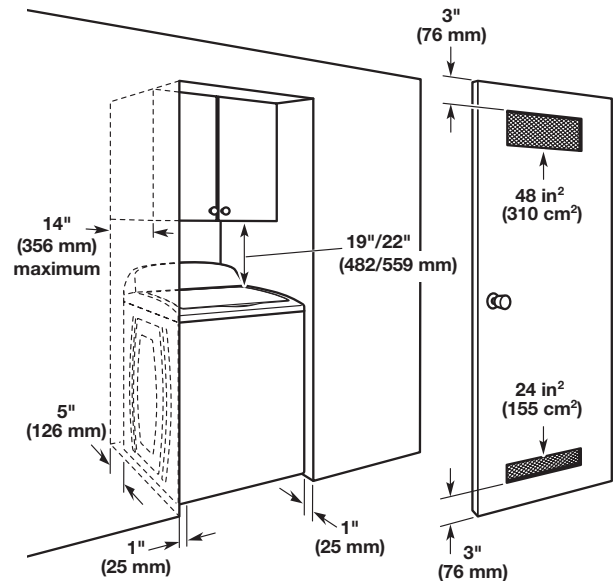
IMPORTANT: Do not install, store, or operate washer where it will be exposed to weather or in temperatures below 32°F (0°C). Water remaining in washer after use may cause damage in low temperatures. See "Washer Maintenance and Care" for winterizing information.

Proper installation is your responsibility.

You will need:

- A water heater set to 120°F (49°C).
- A grounded electrical outlet located within 4 ft (1.2 m) of power cord on back of washer.
- Hot and cold water faucets located within 3 ft (0.9 m) of hot and cold water fill valves on washer, and water pressure of 20-100 psi (138-690 kPa).
- A level floor with maximum slope of 1" (25 mm) under entire washer. Installing on carpet or surfaces with foam backing is not recommended.
- Floor must support washer's total weight (with water and load) of 315 lbs (143 kgs).

Recessed area or closet installation



NOTE: All 27" wide washers should have 19" (482 mm) clearance, while all 29" wide washers should have 22" (559 mm) clearance.

All dimensions show recommended spacing allowed, except for closet door ventilation openings, which are the minimum required. This washer has been tested for installation with spacing of 0" (0 mm) clearance on the sides. Consider allowing more space for ease of installation and servicing, and spacing for companion appliances and clearances for walls, doors, and floor moldings. Add spacing of 1" (25 mm) on all sides of washer to reduce noise transfer. Doors must be louvered or equivalent and have at least 24 in² (155 cm²) bottom and 48 in² (210 cm²) top open area.

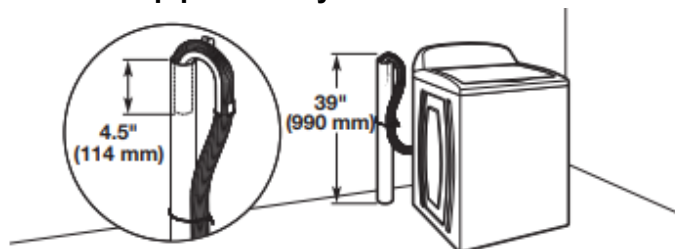
*For additional details (or information) specific to your model, refer to your Quick Start Guide.

Drain System

Drain system can be installed using a floor drain, wall standpipe, floor standpipe, or laundry tub. Select the method you need.

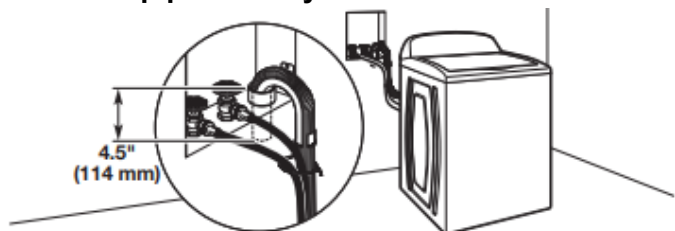
IMPORTANT: To avoid siphoning, no more than 4.5" (114 mm) of drain hose should be inside standpipe or below the top of wash tub. Secure drain hose with cable tie.

Floor standpipe drain system



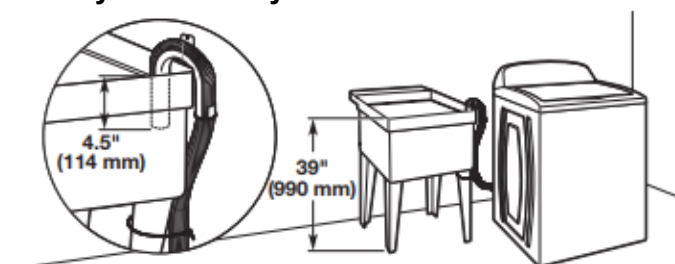
Minimum diameter for a standpipe drain: 2" (51 mm). Minimum carry-away capacity: 17 gallons (64 L) per minute. Top of standpipe must be at least 39" (990 mm) high; install no higher than 96" (2.44 m) from bottom of washer. If you must install higher than 96" (2.44 m), you will need a sump pump system.

Wall standpipe drain system



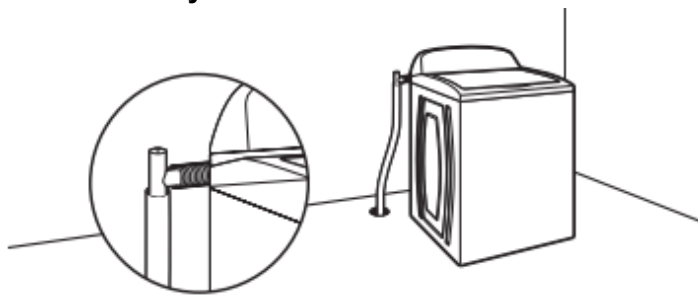
See requirements in the "Floor standpipe drain system" section.

Laundry tub drain System



Minimum capacity: 20 gallons (76 L). Top of laundry tub must be at least 39" (990 mm) above floor; install no higher than 96" (2.44 m) from bottom of washer.

Floor Drain System



Floor drain system requires a Siphon Break Kit, 2 Connector Kits, and an Extension Drain Hose that may be purchased separately; refer to the Quick Start Guide for online ordering information. Minimum siphon break height: 28" (710 mm) from bottom of washer (additional hoses may be needed).

Electrical Requirements

⚠ WARNING



Electrical Shock Hazard

Plug into a grounded 3 prong outlet.

Do not remove ground prong.

Do not use an adapter.

Do not use an extension cord.

Failure to follow these instructions can result in death, fire, or electrical shock.

- A 120 V, 60 Hz AC only, 15 or 20 A, fused electrical supply is required. A time-delay fuse or circuit breaker is recommended. It is recommended that a separate circuit breaker serving only this appliance be provided.
- This washer is equipped with a power supply cord having a 3-prong grounding plug.
- To minimize possible shock, the cord must be plugged into a mating, 3-prong, grounding-type outlet, grounded in accordance with local codes and ordinances. If a mating outlet is not available, it is the personal responsibility and obligation of the customer to have the properly grounded outlet installed by a qualified electrician.
- If codes permit and a separate ground wire is used, it is recommended that a qualified electrician determine that the ground path is adequate.
- Do not ground to a gas pipe.
- Check with a qualified electrician if you are not sure the washer is properly grounded.
- Do not have a fuse in the neutral or ground circuit.

GROUNDING INSTRUCTIONS

For a grounded, cord-connected appliance:

This appliance must be grounded. In the event of a malfunction or breakdown, grounding will reduce the risk of electric shock by providing a path of least resistance for electric current. This appliance is equipped with a cord having an equipment-grounding conductor and a grounding plug. The plug must be plugged into an appropriate outlet that is properly installed and grounded in accordance with all local codes and ordinances.

WARNING: Improper connection of the equipment-grounding conductor can result in a risk of electric shock. Check with a qualified electrician or serviceman if you are in doubt as to whether the appliance is properly grounded. Do not modify the plug provided with the appliance: If it will not fit the outlet, have a proper outlet installed by a qualified electrician.

SAVE THESE INSTRUCTIONS

INSTALLATION

Unpacking

⚠ WARNING

Excessive Weight Hazard

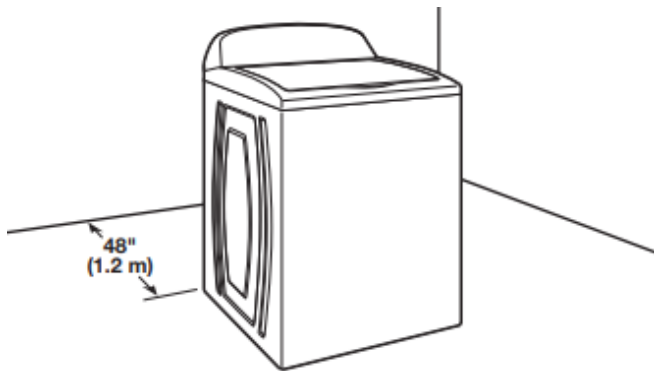
Use two or more people to move and install or uninstall appliance.

Failure to do so can result in back or other injury.

Before you start: Remove shipping materials.

It is necessary to remove all shipping materials for proper operation and to avoid excessive noise from washer.

1. Move Washer

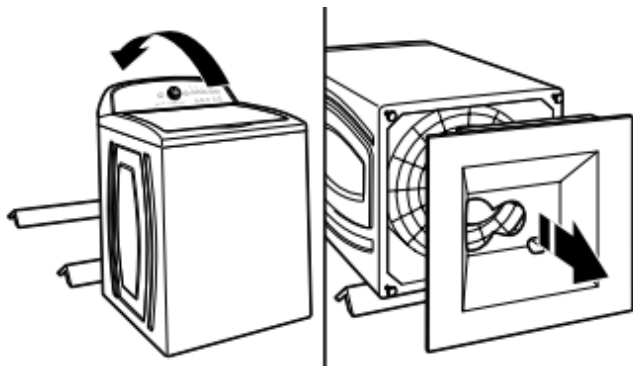


Move washer to within 4 ft. (1.2 m) of its final location; it must be in a fully upright position.

NOTE: To avoid floor damage, set washer onto cardboard before moving it and make sure lid is taped shut.

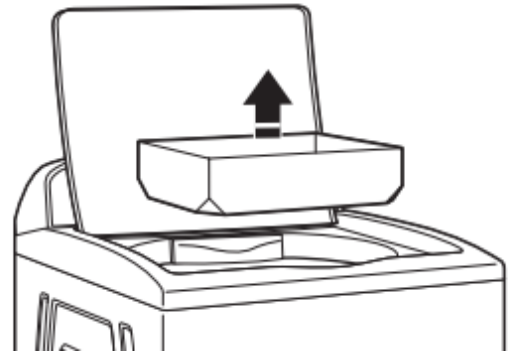
2. Remove shipping base

IMPORTANT: Removing shipping base is necessary for proper operation.



To avoid damaging floor, place cardboard supports from shipping carton on floor behind washer. Tip washer back and place on cardboard supports. Remove shipping base (some models require shipping base to be rotated 90° to the right before pulling off). Set washer upright.

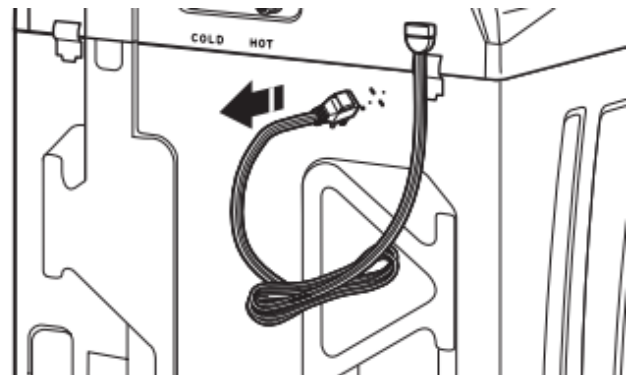
3. Remove packaging material from inside washer



Remove tape from washer lid, open lid, and remove packaging material from washer tub. Be sure that all parts have been removed from inside washer.

NOTE: Keep packaging material for inside washer in case you need to move washer later.

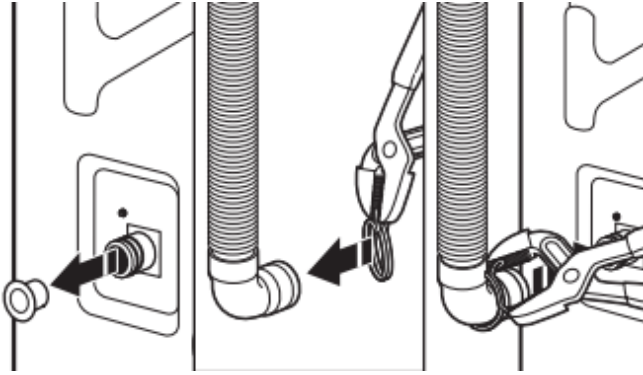
4. Free power cord



Firmly grasp power cord plug and pull to free from rear panel. Gently place power cord over console to allow free access to back of washer.

Connect Drain Hose

5. Attach drain hose to drain port



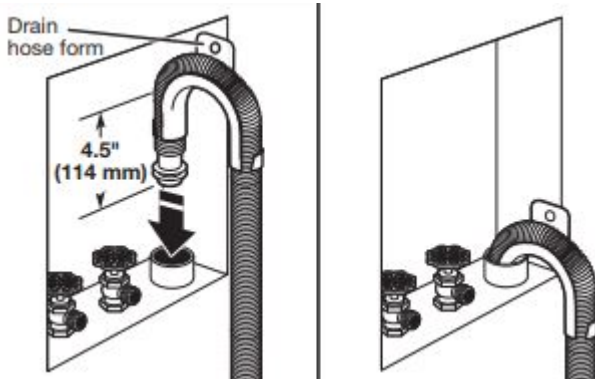
If applicable, remove the red plastic plug from the black drain port on the back of the washer.

If clamp is not already in place on elbow end of drain hose, slide it over end as shown. Squeeze clamp with pliers and slide black elbow end of drain hose onto black drain port and secure with clamp.

For a laundry tub or standpipe drain, go to step 6.

For a floor drain, remove the pre-installed drain hose form as shown in step 7. You may need additional parts with separate directions. See the "Alternate Parts" section.

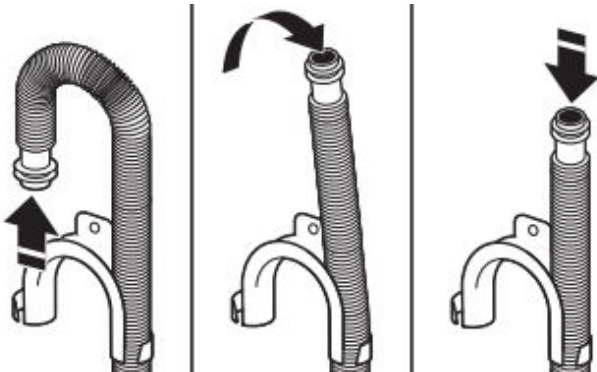
6. Place drain hose in standpipe



IMPORTANT: 4.5" (114 mm) of drain hose should be inside standpipe; do not force excess hose into standpipe or lay on bottom of laundry tub. Drain hose form must be used.

Place hose into standpipe (shown in picture) or over side of laundry tub.

7. Remove drain hose form (floor drain installations only)



For floor drain installations, you will need to remove the drain hose form from the end of the drain hose. You may need additional parts with separate directions. See "Tools and Parts."

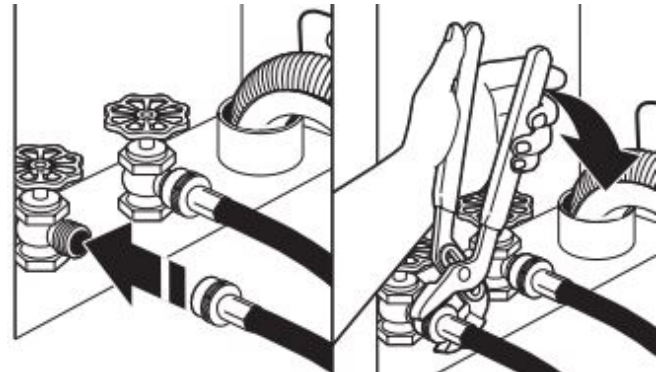
It is the responsibility of the installer to install and secure the drain hose into the provided plumbing/drain in a manner that will avoid the drain hose coming out of and leaking from the plumbing/drain.

Connect Inlet Hoses

Washer must be connected to water faucets with new inlet hoses with flat washers (not provided). Do not use old hoses.

NOTE: Both hoses must be attached and have water flowing to inlet valves. If you are only connecting to a cold water faucet, you must use a Y-adaptor (not provided).

8. Connect inlet hoses to water faucets



IMPORTANT: Do not overtighten hose or use tape or sealants on valve. Damage to the valves can result.

Attach hose to hot water faucet. Screw on coupling by hand until it is seated on washer. Use adjustable pliers to tighten couplings an additional two-thirds turn. Repeat this step with second hose for cold water faucet.

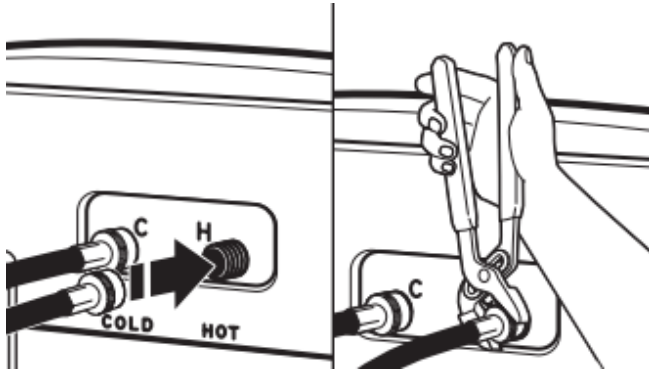
9. Clear water lines



Run water for a few seconds through hoses into a laundry tub, drainpipe, or bucket to avoid clogs. Water should run until clear.

Make note of which hose is connected to hot water to help in attaching hoses to washer correctly.

10. Connect inlet hoses to washer

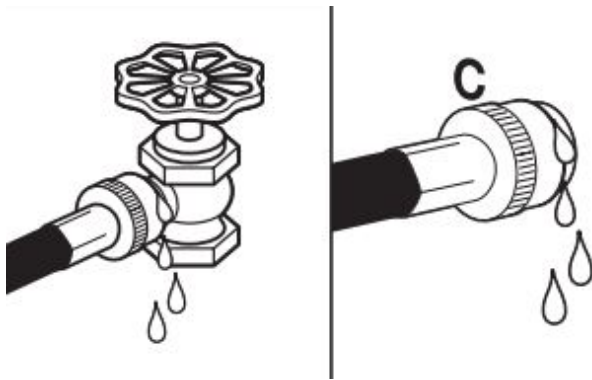


IMPORTANT: To reduce risk of hose failure, replace the hoses every 5 years. Record hose installation or replacement dates for future reference.

- Do not overtighten hose or use tape or sealants on valve. Damage to the valves can result.
- Periodically inspect and replace hoses if bulges, kinks, cuts, wear, or leaks are found.

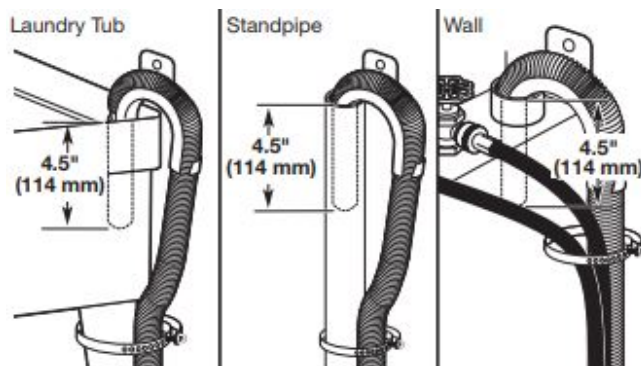
Attach hot water hose to red hot water inlet valve. Screw coupling by hand until it is snug. Use pliers to tighten couplings an additional two-thirds turn. Repeat with cold water inlet valve.

11. Check for leaks



Turn on water faucets to check for leaks. A small amount of water may enter washer. It will drain later.

12. Secure drain hose



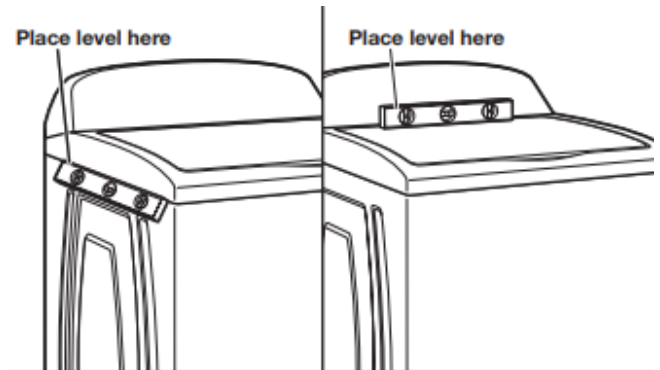
Secure drain hose to laundry tub leg, drain standpipe, or inlet hoses for wall standpipe with cable tie.

It is the responsibility of the installer to install and secure the drain hose into the provided plumbing/drain in a manner that will avoid the drain hose coming out of or leaking from the plumbing/drain.

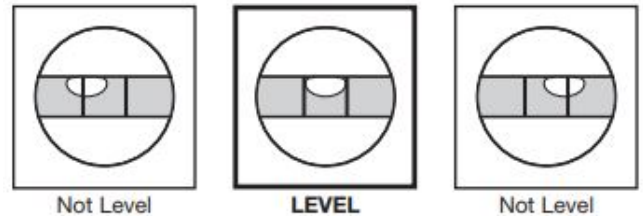
Level Washer

NOTE: Level washer properly to reduce excess noise and vibration.

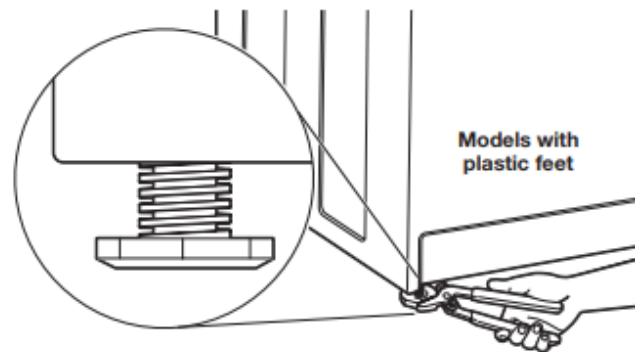
13. Check levelness of washer



Move the washer to its final location. Place a level on top edges of washer. Use side seam as a guide to check levelness of sides. Check levelness of front using lid, as shown. Rock washer back and forth to make sure all four feet make solid contact with floor. If washer is level, skip to step 15.



14. Adjust leveling feet



If washer is not level:

Use adjustable pliers to turn the plastic leveling foot counterclockwise to lower the washer or clockwise to raise the washer.

Recheck levelness of washer and repeat as needed.

HELPFUL TIPS:

- You may need to adjust two different feet to level your unit. Ensure each foot remains secured to the washer's base.
- You may want to prop up front of washer about 4" (102 mm) with a wood block or similar object that will support weight of washer.

⚠WARNING



Electrical Shock Hazard

Plug into a grounded 3 prong outlet.

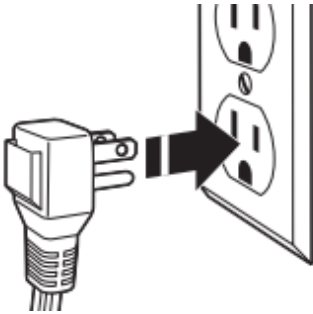
Do not remove ground prong.

Do not use an adapter.

Do not use an extension cord.

Failure to follow these instructions can result in death, fire, or electrical shock.

15. Plug into a grounded 3-prong outlet



Complete Installation Checklist

- Check electrical requirements. Be sure you have correct electrical supply and recommended grounding method.
- Check that all parts are now installed. If there is an extra part, go back through steps to see what was skipped.
- Check that you have all of your tools.
- Check that shipping materials were completely removed from washer.
- Check that the washer is level.
- Check that water faucets are on.
- Check for leaks around faucets and inlet hoses.
- Remove protective film from console and any tape remaining on washer.
- Check that washer is plugged into a grounded 3-prong outlet.
- Dispose of/recycle all packaging materials.
- Read the "Washer Maintenance and Care" section.
- To test and clean your washer, measure 1/2 of normal recommended amount of powdered or liquid HE detergent and pour it into washer basket or detergent dispenser (on some models). Close lid. Select any cycle. Start washer and allow to complete full cycle.

SEGURIDAD DE LA LAVADORA

Su seguridad y la de los demás son muy importantes.

Hemos incluido muchos mensajes importantes de seguridad en este manual y en su electrodoméstico. Lea y obedezca siempre todos los mensajes de seguridad.



Este es el símbolo de advertencia de seguridad.

Este símbolo le llama la atención sobre peligros potenciales que pueden ocasionar la muerte o una lesión a usted y a los demás.

Todos los mensajes de seguridad irán a continuación del símbolo de advertencia de seguridad y de la palabra "PELIGRO" o "ADVERTENCIA". Estas palabras significan:

▲ PELIGRO

Usted puede morir o sufrir una lesión grave si no sigue de inmediato las instrucciones.

▲ ADVERTENCIA

Si no sigue las instrucciones, puede morir o sufrir una lesión grave.

Todos los mensajes de seguridad le dirán cuál es el peligro potencial, cómo reducir las posibilidades de sufrir una lesión y lo que puede suceder si no se siguen las instrucciones.

INSTRUCCIONES IMPORTANTES DE SEGURIDAD

ADVERTENCIA: Para reducir el riesgo de incendio, choque eléctrico o de lesiones a las personas cuando se use el aparato, siga las precauciones básicas, incluidas las siguientes:

- Lea todas las instrucciones antes de usar el aparato.
- No lave artículos que ya se hayan limpiado, lavado, remojado o manchado con gasolina, disolventes de limpieza en seco u otras sustancias inflamables o explosivas ya que despiden vapores que pueden encenderse o causar una explosión.
- No agregue gasolina, solventes para limpiar en seco u otras sustancias inflamables o explosivas al agua del lavado. Estas sustancias despiden vapores que pueden encenderse o causar una explosión.
- En ciertas condiciones, puede producirse gas hidrógeno en un sistema de agua caliente que no se ha utilizado durante dos semanas o más. **EL GAS HIDRÓGENO ES EXPLOSIVO.** Si no se ha usado el sistema de agua caliente durante dicho período, antes de usar una lavadora, abra todos los grifos de agua caliente y deje que corra el agua de cada uno por varios minutos. Esto liberará todo el gas hidrógeno que se haya acumulado. Debido a la inflamabilidad de dicho gas, no fume ni use una llama abierta durante este lapso.
- No permita que los niños jueguen sobre el aparato o dentro de este. Es necesario supervisar a los niños cuando se use el aparato cerca de ellos.
- Quite la puerta del aparato antes de ponerlo fuera de funcionamiento o de descartarlo.
- No introduzca las manos en el aparato si la tina o el agitador están en movimiento.
- No instale o almacene este aparato en lugares donde quede expuesto a la intemperie.
- No trate de forzar los controles.
- No repare o reemplace ninguna pieza del aparato ni trate realizar una reparación a menos que esto se recomiende específicamente en las instrucciones de mantenimiento o de reparación publicadas para el usuario, y solo si las comprende y tiene la experiencia para llevarlas a cabo.
- No use piezas de repuesto que no hayan sido recomendadas por el fabricante (por ejemplo, piezas hechas en casa con una impresora 3D).
- Consulte las instrucciones de instalación para ver los requisitos de conexión a tierra y de instalación.

GUARDE ESTAS INSTRUCCIONES

ADVERTENCIA

Ciertas piezas internas no se conectaron a tierra a propósito, y pueden presentar un riesgo de choque eléctrico solo durante el servicio.

Al personal de servicio: No toque el soporte del termostato mientras el aparato esté enchufado.

ELECCIÓN DEL DETERGENTE ADECUADO

ELECCIÓN DEL DETERGENTE ADECUADO

Use solamente detergentes de alto rendimiento. El paquete tendrá la indicación "HE" o "High Efficiency" (Alto rendimiento). El lavado con poca agua crea espuma en exceso si se usa un detergente que no es HE. El uso de un detergente que no es HE probablemente derive en tiempos de ciclo más prolongados y menor rendimiento del enjuague. También puede resultar en mal funcionamiento de los componentes y, con el tiempo, la acumulación de moho. Los detergentes de alto rendimiento deben ser de baja espuma y rápida dispersión para producir la cantidad adecuada de espuma a fin de lograr un rendimiento óptimo. Deben mantener la suciedad en suspenso para que no vuelva a depositarse sobre las prendas limpias. No todos los detergentes etiquetados como de alto rendimiento tienen igual formulación y capacidad para reducir la espuma. Por ejemplo, los detergentes de alto rendimiento naturales, orgánicos o caseros pueden generar un alto nivel de espuma. Siga siempre las instrucciones del fabricante del detergente para determinar la cantidad que debe utilizar. No supere la línea de llenado máximo (MAX) del dosificador. Consulte la Guía rápida de inicio para obtener más información.

MANTENIMIENTO Y CUIDADO DE LA LAVADORA

Mangueras de entrada de agua

Reemplace las mangueras de entrada después de 5 años de uso para reducir el riesgo de que fallen. Inspeccione periódicamente y cambie las mangueras de entrada si encuentra protuberancias, torceduras, cortes, desgaste o pérdidas de agua.

Al sustituir las mangueras de entrada:

- Anote la fecha de reposición en la etiqueta con un marcador permanente.
- Verifique que las arandelas viejas no estén atascadas en las válvulas de entrada de la lavadora.
- Utilice arandelas nuevas en las mangueras de entrada nuevas para garantizar un sello adecuado.

NOTA: Esta lavadora puede no incluir mangueras de entrada. Para obtener más información, vea las Instrucciones de instalación.

Cuidado de la lavadora

Recomendaciones para ayudar a que su lavadora se mantenga limpia y rinda de manera óptima

1. Use siempre detergentes de alto rendimiento (HE) y siga las instrucciones del fabricante de detergente HE acerca de la cantidad de detergente HE a usar. Nunca use más de la cantidad recomendada, ya que puede acelerar la acumulación de residuos de detergente y suciedad en la lavadora, lo que puede causar un olor no deseado.
2. A veces, use lavados con agua tibia y caliente (no solamente lavados con agua fría), ya que pueden controlar mejor el ritmo en el cual se acumulan la suciedad y el detergente.
3. Deje siempre la tapa de la lavadora abierta entre un uso y otro, para ayudar a que la máquina se termine de secar y evitar la acumulación de residuos causantes de olores.

Limpieza de la lavadora de carga superior

Lea estas instrucciones por completo antes de comenzar el proceso de limpieza de rutina que se recomienda a continuación. El procedimiento de mantenimiento de la lavadora deberá efectuarse como mínimo una vez al mes o cada 30 ciclos de lavado, lo primero que ocurra, para controlar el ritmo de acumulación de suciedad y detergente en la lavadora.

Cómo limpiar el interior de la lavadora

Para mantener la lavadora libre de olores, siga las instrucciones de uso antes detalladas y utilice el procedimiento de limpieza mensual que recomendamos a continuación:

Ciclo recomendado para limpiar la lavadora

Algunos modelos tienen un ciclo "Clean Washer" (Limpiar la lavadora) que utiliza un alto volumen de agua combinado con [†]affresh® limpiador de lavadoras o blanqueador líquido con cloro para limpiar el interior de la lavadora.

Si su modelo no cuenta con un ciclo "Clean Washer" (Limpiar la lavadora), consulte en línea la Guía de ciclos para seleccionar el mejor ciclo de limpieza del interior de la lavadora. Utilice este ciclo con el limpiador para lavadora affresh® o el blanqueador líquido con cloro, como se describe a continuación.

Descripción del funcionamiento del ciclo Clean Washer (Limpiar la lavadora) con affresh®:

1. Este ciclo llenará la lavadora de agua hasta un nivel de agua más alto que los ciclos normales de lavado para enjuagar a un nivel por encima de la línea de agua de un ciclo normal.
2. Durante este ciclo, habrá periodos de agitación y centrifugado para eliminar mejor la suciedad.

Una vez que haya finalizado el ciclo, deje la tapa abierta para que haya una mejor ventilación y secado del interior de la lavadora.

Comience el procedimiento

1. **Ciclo de limpieza para lavadora affresh (recomendado para un rendimiento óptimo):**
 - a. Abra la tapa de la lavadora y retire la ropa o los artículos del interior.
 - b. Coloque una pastilla de limpiador para lavadora affresh en el fondo de la canasta de la lavadora.
 - c. No coloque la pastilla del limpiador para lavadora affresh en el depósito del detergente.
 - d. No agregue ningún detergente ni ningún otro producto químico a la lavadora cuando siga este procedimiento.
 - e. Cierre la tapa de la lavadora.
 - f. Seleccione el ciclo recomendado para la limpieza del interior de la lavadora.
 - g. Presione el botón START (Inicio) para comenzar el ciclo.

NOTA: Para obtener mejores resultados, no interrumpa el ciclo. Si es necesario interrumpir el ciclo, presione Power/Cancel (Encendido/Anulación). (Para los modelos que no tienen estos botones, mantenga presionado Start/Pause [Inicio/Pausa] durante tres segundos). Después de que el ciclo se detenga, ponga en marcha un ciclo Rinse & Spin (Enjuague y centrifugado) para enjuagar el limpiador de la lavadora.

[†]affresh® es una marca registrada de Whirlpool, U.S.A. Utilizado con permiso.

2. Procedimiento con blanqueador con cloro (alternativo):

- Abra la tapa de la lavadora y retire la ropa o los artículos del interior.
- Agregue 1 taza (236 mL) de blanqueador líquido con cloro al dosificador del blanqueador.
NOTA: Con el tiempo, el uso de una mayor cantidad de blanqueador líquido con cloro de la que se recomienda puede dañar la lavadora.
- Cierre la tapa de la lavadora.
- No agregue ningún detergente ni ningún otro producto químico a la lavadora cuando siga este procedimiento.
- Seleccione el ciclo recomendado para la limpieza del interior de la lavadora.
- Presione el botón START (Inicio) para comenzar el ciclo.

NOTA: Para obtener mejores resultados, no interrumpa el ciclo. Si es necesario interrumpir el ciclo, presione Power/Cancel (Encendido/Anulación). (Para los modelos que no tienen estos botones, mantenga presionado Start/Pause [Inicio/Pausa] durante tres segundos). Después de que el ciclo se detenga, ponga en marcha un ciclo Rinse & Spin (Enjuague y centrifugado) para enjuagar el limpiador de la lavadora.

Limpeza del dispensador

Después de usar la lavadora durante cierto tiempo, es posible que encuentre acumulación de residuos en los dispensadores.

IMPORTANTE: Los dispensadores no son aptos para lavavajillas.

Para dispensadores no desmontables:

Para quitar los residuos de los dispensadores, límpielos con una toallita toallitas de limpieza de máquina affresh o un paño húmedo y seque con toalla. No intente quitar los dispensadores ni el borde para limpiarlos. Los dispensadores y el borde no se pueden desmontar.

Para dispensadores desmontables:

Si su modelo tiene un cajón dispensador, presione las lengüetas para quitar el cajón y limpiarlo con una toallitas de limpieza de máquina affresh o con un paño húmedo y seque con toalla antes o después de poner a funcionar el ciclo Clean Washer (Limpiar lavadora). Use un limpiador multiuso para superficies si es necesario.

Cómo limpiar el exterior de la lavadora

IMPORTANTE: Para evitar dañar el acabado de la lavadora, no use productos abrasivos.

Utilice una toallita de limpieza de máquina affresh, un paño suave y húmedo o una esponja para limpiar cualquier derrame. Utilice una toallita de limpieza de máquina affresh o sólo limpiadores o jabones suaves para limpiar las superficies externas de la lavadora.

Cuidados durante la falta de uso y las vacaciones

Ponga a funcionar su lavadora únicamente cuando esté en casa. Si va a mudarse, o no va a usar la lavadora durante cierto tiempo, siga estos pasos:

- Desenchufe o desconecte el suministro de energía a la lavadora.
- Cierre el suministro de agua a la lavadora para evitar inundaciones por aumentos en la presión del agua.

Cuidados para el almacenamiento durante el invierno

IMPORTANTE: Para evitar daños, instale y guarde la lavadora en un lugar donde no se congele. Debido a que puede quedar un poco de agua en las mangueras, el congelamiento puede dañar la lavadora. Si va a almacenar o mover la lavadora durante una temporada de temperaturas de congelamiento, acondiciónela para el invierno.

Para acondicionar la lavadora para el invierno:

- Cierre ambos grifos de agua, desconecte y vacíe las mangueras de entrada de agua.
- Vierta un 1 cuarto de galón (1 L) de anticongelante tipo R.V. en la canasta y ponga a funcionar la lavadora en el ciclo Rinse & Spin (Enjuague y centrifugado) durante unos 30 segundos para mezclar el anticongelante con el agua restante.
- Desenchufe la lavadora o desconecte el suministro de energía.

Transporte de la lavadora

- Cierre ambos grifos de agua. Desconecte y elimine el agua de las mangueras de entrada de agua.
- Si se va a trasladar la lavadora durante una temporada de frío, siga las instrucciones descritas en "Cuidado para el almacenamiento durante el invierno" antes del transporte.
- Desconecte la manguera de desagüe del sistema de desagüe y vacíe el agua restante en una olla o cubeta. Desconecte la manguera de desagüe de la parte posterior de la lavadora.
- Desenchufe el cable eléctrico.
- Coloque las mangueras de entrada y la manguera de desagüe en el interior de la canasta de la lavadora.
- Pase el cable de suministro eléctrico sobre el borde y colóquelo dentro de la canasta de la lavadora.
- Coloque los materiales de envío originales nuevamente en el interior de la lavadora. Si no tiene los materiales de envío, coloque frazadas o toallas pesadas en la abertura de la canasta. Cierre la tapa y coloque cinta adhesiva sobre esta y por el frente de la lavadora. Mantenga la tapa pegada con cinta adhesiva hasta que se coloque la lavadora en su nueva ubicación. Transporte la lavadora en posición vertical.

Cómo reinstalar o usar la lavadora nuevamente

⚠ ADVERTENCIA



Peligro de choque eléctrico

Conecte a un tomacorriente con conexión a tierra de 3 terminales.

No quite el terminal de conexión a tierra.

No use un adaptador.

No utilice un cable de extensión.

No seguir estas instrucciones puede ocasionar la muerte, un incendio o un choque eléctrico.

Para reinstalar la lavadora después de la falta de uso, las vacaciones, el almacenamiento durante el invierno o una mudanza:

1. Consulte las Instrucciones de instalación para ubicar, nivelar y conectar la lavadora.
2. Antes de usar la lavadora nuevamente, póngala a funcionar según el procedimiento recomendado a continuación:

Para volver a usar la lavadora:

1. Deje correr agua por los tubos y las mangueras.
2. Vuelva a conectar las mangueras de entrada de agua.
3. Abra ambos grifos de agua.
4. Enchufe en un tomacorriente de 3 clavijas con conexión a tierra o reconecte la energía.
5. Consulte en línea la Guía de ciclos para obtener información sobre qué ciclos usar para poner a funcionar su lavadora a fin de limpiarla y extraer el anticongelante, de haberlo usado. Utilice solamente un detergente de alto rendimiento HE. Use la mitad de la cantidad recomendada por el fabricante para una carga de tamaño mediano.

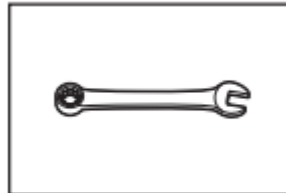
INSTRUCCIONES DE INSTALACIÓN

REQUISITOS

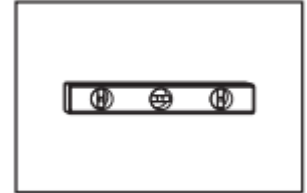
Herramientas y piezas

Reúna las herramientas y piezas necesarias antes de comenzar la instalación.

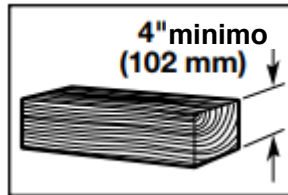
Herramientas necesarias:



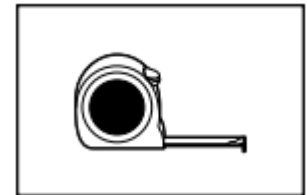
Llave de tuercas ajustable o de extremo abierto de 9/16" (14 mm)



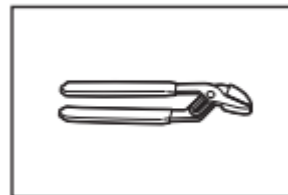
Nivel



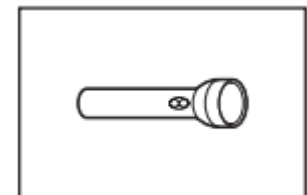
Bloque de madera



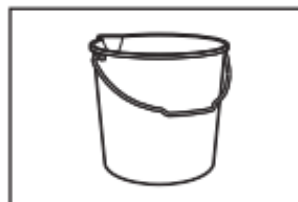
Regla o cinta de medir



Pinzas regulables que se abren a 1/4" (45 mm)



Linterna



Cubeta

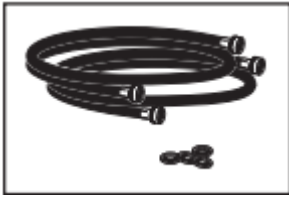
Piezas suministradas:

NOTA: Todas las piezas suministradas para la instalación están en la lavadora.



Manguera de desagote con abrazadera, molde en forma de U y atadura para cables

Piezas necesarias: (si no se suministraron con la lavadora)



Mangueras de entrada con arandelas planas

NOTA: Hay disponibles varias opciones de mangueras de entrada; consulte su "Guía rápida para comenzar" para obtener información sobre los pedidos.

Piezas adicionales: (no se proveen con la lavadora)

Su instalación puede requerir piezas adicionales. Para pedir las, consulte la información de contacto que figura en la Guía rápida de inicio.

Si tiene:

Desagüe en altura

Necesitará lo siguiente:

Tina de desagüe estándar de 20 galones (76 L) con 39" (990 mm) de altura o lavadero utilitario, bomba de sumidero y conectores (disponible en ferreterías locales)

Tubo vertical de 1" (25 mm)

Juego de conector y adaptador para tubo vertical de 2" (51 mm) de diámetro a 1" (25 mm)

Manguera de desagüe demasiado corta

Kit de manguera de desagüe de extensión y conector

Desagüe obstruido con pelusas

Kit de protector de desagüe y conector pelusas

Requisitos de ubicación

Seleccione una ubicación apropiada para su lavadora, para realzar el rendimiento y reducir al mínimo el ruido y la posible "caminata" de la lavadora. Instale su lavadora en un sótano, cuarto para lavar, clóset o un lugar empotrada.

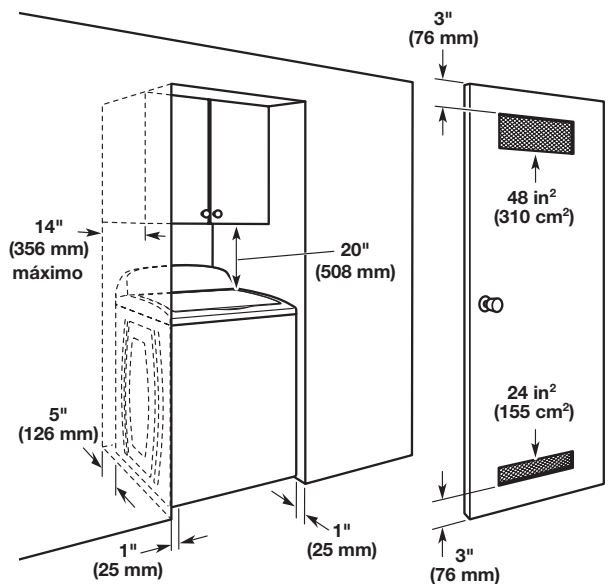
IMPORTANTE: No instale, guarde ni utilice la lavadora en donde estará expuesta a la intemperie o a temperaturas por debajo de 32°F (0°C). El agua que queda en la lavadora después del uso puede causar daños a bajas temperaturas. Consulte "Mantenimiento y cuidado de la lavadora" para obtener información sobre el acondicionamiento para el invierno.

Usted es responsable de su correcta instalación.

Necesitará lo siguiente:

- Un calentador de agua en 120 °F (49 °C).
- Un tomacorriente con conexión a tierra ubicado a no más de 4 pies (1,2 m) del cable eléctrico detrás de la lavadora.
- Grifos de agua caliente y de agua fría ubicados a una distancia de no más de 3 pies (0,9 m) de las válvulas de llenado del agua caliente y fría de la lavadora, y una presión de agua de 20-100 psi (138-690 kPa).
- Un piso nivelado con un declive máximo de 1" (25 mm) debajo de la lavadora completa. No se recomienda la instalación sobre alfombras ni superficies con reverso de espuma.
- El piso debe sostener el peso total de la lavadora (con el agua y la carga) de 315 lb (143 kg).

Instalación en zona empotrada o en clóset



NOTA: Todas las lavadoras deben tener 20" (508 mm) de espacio libre.

Las dimensiones muestran los espacios permitidos recomendados, excepto por las aberturas de ventilación para clósets, las cuales son las mínimas necesarias. Esta lavadora ha sido puesta a prueba para la instalación en espacios de 0" (0 mm) en los costados. Considere dejar más espacio para facilitar la instalación y el servicio técnico, así como espacio para electrodomésticos que la acompañen y espacios libres para las paredes, puertas y molduras del piso. Agregue un espacio adicional de 1" (25 mm) en todos los lados de la lavadora para reducir la transferencia de ruido. Las puertas deben ser de persiana o equivalente y tener al menos 24 pulg² (155 cm²) de área abierta inferior y 48 pulg² (210 cm²) de área abierta superior.

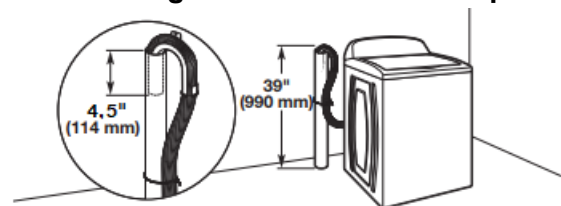
*Para obtener más detalles (o información) específicos de su modelo, consulte su Guía rápida de inicio.

Sistema de desagüe

El sistema de desagüe se puede instalar utilizando un desagüe de piso, tubo vertical de pared, tubo vertical de piso o tina de lavadero. Seleccione el método que necesita.

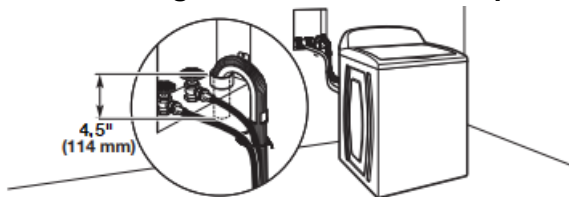
IMPORTANTE: Para evitar el efecto de sifón, no debe haber más de 4,5" (114 mm) de manguera de desagüe dentro del tubo vertical o debajo de la parte superior de la tina de lavado. Ajuste la manguera de desagüe con la atadura para cables.

Sistema de desagüe de tubo vertical de piso



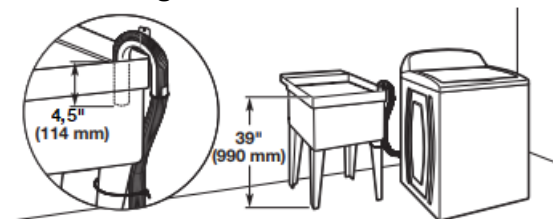
Diámetro mínimo para el desagüe de tubo vertical: 2" (51 mm). Capacidad mínima de desplazamiento: 17 galones (64 L) por minuto. La parte superior del tubo vertical debe estar a 39" (990 mm) de altura como mínimo; instálela a no más de 96" (2,44 m) de la base de la lavadora. Si debe instalarlo a más de 96" (2,44 m), necesitará un sistema de bomba de sumidero.

Sistema de desagüe de tubo vertical de pared



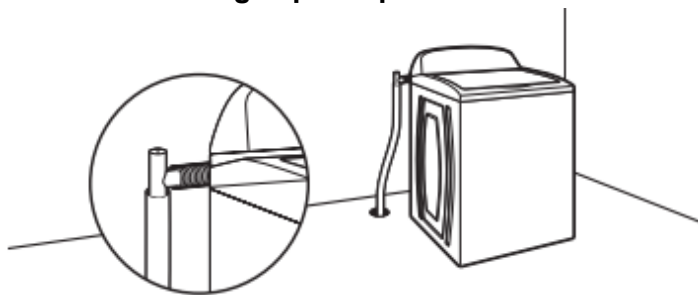
Vea los requisitos en la sección "Sistema de desagüe de tubo vertical de pared".

Sistema de desagüe de tina de lavadero



Capacidad mínima: 20 galones (76 L). La parte superior de la tina de lavadero debe estar a 39" (990 mm) del piso como mínimo; instálela a no más de 96" (2,44 m) de la base de la lavadora.

Sistema de desagüe por el piso



El sistema de desagüe por el piso requiere un juego de desviación de sifón, 2 juegos de conectores y una manguera de desagüe de extensión que puede comprarse por separado. Para obtener información sobre pedidos en línea, consulte la Guía de inicio rápido. Altura mínima de desviación de sifón: 28" (710 mm) desde la base de la lavadora (es posible que se necesiten mangueras adicionales).

Requisitos eléctricos

⚠ ADVERTENCIA



Peligro de choque eléctrico

Conecte a un tomacorriente con conexión a tierra de 3 terminales.

No quite el terminal de conexión a tierra.

No use un adaptador.

No utilice un cable de extensión.

No seguir estas instrucciones puede ocasionar la muerte, un incendio o un choque eléctrico.

- Se requiere un suministro eléctrico de 120 V, 60 Hz CA solamente, con fusibles de 15 o 20 A. Se recomienda un fusible retardador o un cortacircuitos. Asimismo se recomienda usar un cortacircuitos independiente que preste servicio únicamente a este aparato.
- Esta lavadora viene equipada con un cable eléctrico que tiene un enchufe de 3 patas con conexión a tierra.
- Para minimizar el peligro de choque eléctrico, el cable debe conectarse a un tomacorriente de 3 patas con conexión a tierra, de acuerdo con los códigos y ordenanzas locales. Si no hay disponible un tomacorriente equivalente, es responsabilidad y obligación personal del cliente el hacer instalar un tomacorriente debidamente conectado a tierra por un electricista calificado.
- Si los códigos lo permiten y se emplea un cable de conexión a tierra separado, se recomienda que un electricista competente determine si la trayectoria de descarga a tierra es adecuada.
- No conecte la descarga a tierra a un tubo de gas.
- Si no está seguro de que la conexión a tierra de la lavadora sea la adecuada, verifíquela con un electricista competente.
- No coloque un fusible en el circuito neutro o de conexión a tierra.

INSTRUCCIONES DE CONEXIÓN A TIERRA

Para la conexión de un electrodoméstico mediante cable eléctrico conectado a tierra:

Este electrodoméstico debe estar conectado a tierra. En caso de funcionamiento defectuoso o avería, la conexión a tierra reducirá el riesgo de choque eléctrico al proporcionar una vía de menor resistencia para la corriente eléctrica. Este electrodoméstico está equipado con un cable que cuenta con un conductor para la conexión a tierra del equipo y un enchufe de conexión a tierra. El enchufe debe conectarse en un tomacorriente apropiado, que esté debidamente instalado y conectado a tierra de acuerdo con todos los códigos y ordenanzas locales.

ADVERTENCIA: La conexión incorrecta del conductor de conexión a tierra del equipo puede dar como resultado un choque eléctrico. Si tiene dudas sobre la correcta conexión a tierra del aparato, consulte a un electricista o un técnico de servicio competente. No modifique el enchufe provisto con el electrodoméstico. Si no encaja en el tomacorriente, consulte con un electricista calificado para instalar un tomacorriente adecuado.

CONSERVE ESTAS INSTRUCCIONES

INSTALACIÓN

Desempaque

⚠ ADVERTENCIA

Peligro de peso excesivo

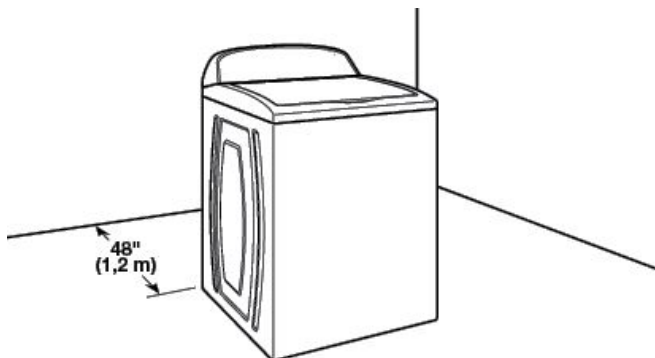
Use dos o más personas para mover e instalar o desinstalar el electrodoméstico.

No seguir esta instrucción puede ocasionar lesiones en la espalda o de otro tipo.

Antes de comenzar: Retire los materiales de transporte.

Es necesario quitar todos materiales de transporte para obtener un funcionamiento adecuado y para evitar el ruido excesivo de la lavadora.

1. Mueva la lavadora

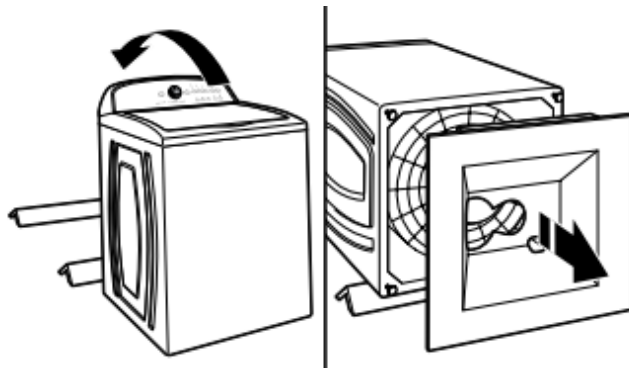


Mueva la lavadora a 4 pies (1,2 m) de su ubicación final; debe estar en posición vertical.

NOTA: Para evitar daños en el piso, coloque la lavadora sobre un cartón antes de moverla y asegúrese de que la tapa esté cerrada con cinta adhesiva.

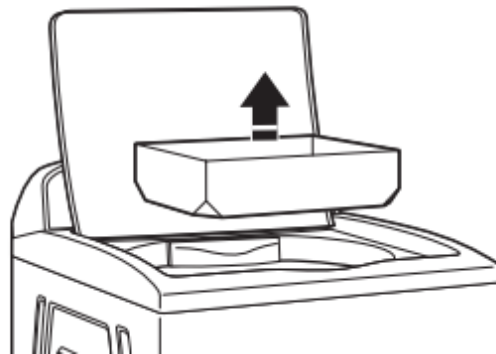
2. Retire la base del envío.

IMPORTANTE: Para un funcionamiento adecuado es necesario quitar la base de transporte.



Para evitar dañar el piso, coloque soportes de cartón hechos con el cartón del embalaje en el piso debajo de la lavadora. Incline la lavadora hacia atrás y colóquela sobre los soportes de cartón. Retire la base del envío (algunos modelos requieren que la base del envío se gire 90° a la derecha antes de retirarla). Deje la lavadora en posición vertical.

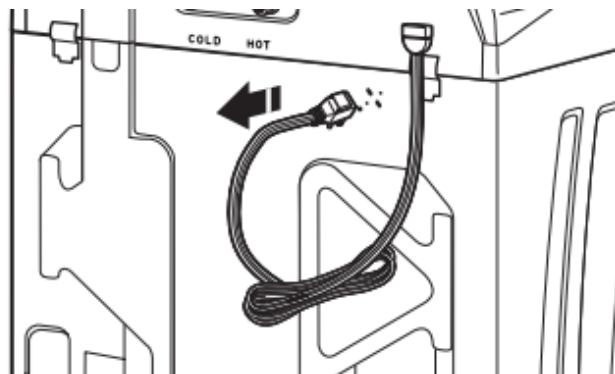
3. Retire todos los materiales de embalaje del interior de la lavadora



Quite la cinta adhesiva de la tapa de la lavadora, abra la tapa y saque el material de embalaje de la tina. Asegúrese de que todas las piezas se hayan sacado del interior de la lavadora.

NOTA: Mantenga el material de embalaje para el interior de la lavadora en caso de que necesite moverla después.

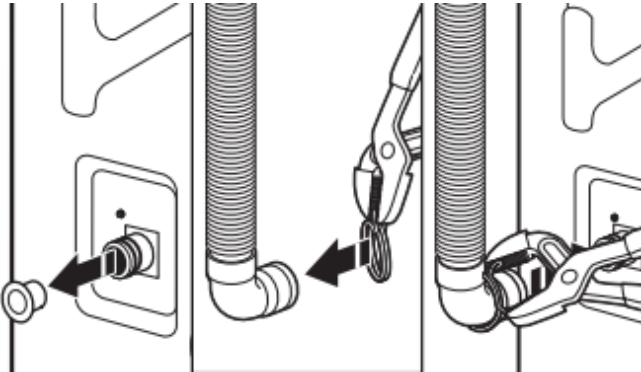
4. Libere el cable eléctrico



Sujete con firmeza el cable eléctrico y tire para liberarlo por completo del panel posterior. Coloque el cable eléctrico con cuidado sobre la consola para permitir un acceso sin obstrucciones a la parte posterior de la lavadora.

Conecte la manguera de desagüe

5. Sujete la manguera de desagote al puerto de desagote



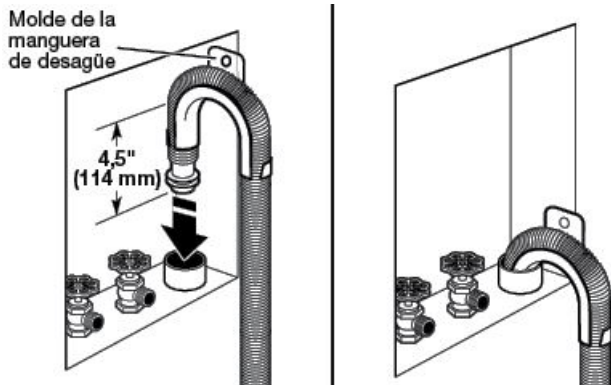
Si corresponde, retire el tapón rojo de plástico negro de desagote que se encuentra en la parte posterior de la lavadora.

Si la abrazadera no está en su lugar, sobre el extremo del codo de la manguera de desagote, deslícela sobre el extremo como se muestra. Apriete la abrazadera con unas pinzas y deslice el extremo de la manguera de desagote con el codo negro sobre el puerto de desagote negro y asegúrelo con la abrazadera.

Para una tina de lavadero o un tubo vertical, vaya al paso 6.

Para un desagote por el piso, quite el molde de la manguera de desagote preinstalado como se indica en el Paso 7. Puede ser que necesite piezas adicionales con instrucciones por separado. Consulte la sección "Piezas adicionales".

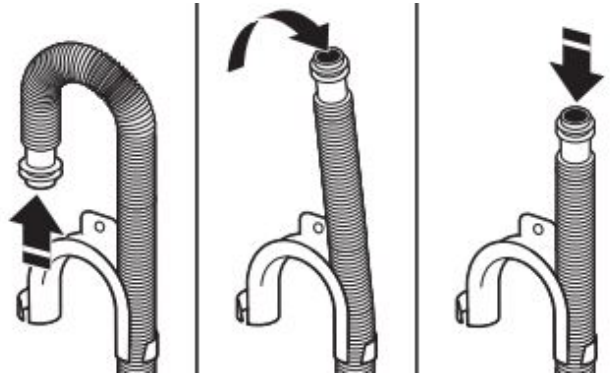
6. Coloque la manguera de desagüe en el tubo vertical



IMPORTANTE: Deberá haber 4,5" (114 mm) de manguera de desagüe dentro del tubo vertical; no fuerce el exceso de la manguera dentro del tubo vertical, ni lo coloque en el fondo de la tina de lavadero. Se debe usar el molde de la manguera de desagüe.

Coloque la manguera dentro del tubo vertical (se muestra en la ilustración) o sobre el lado de la tina de lavadero.

7. Saque el molde de la manguera de desagote (solo para instalaciones con desagote por piso)



Para las instalaciones con desagote por piso, necesitará quitar el molde de la manguera de desagote del extremo de esta. Puede ser que necesite piezas adicionales con instrucciones por separado. Consulte "Herramientas y piezas".

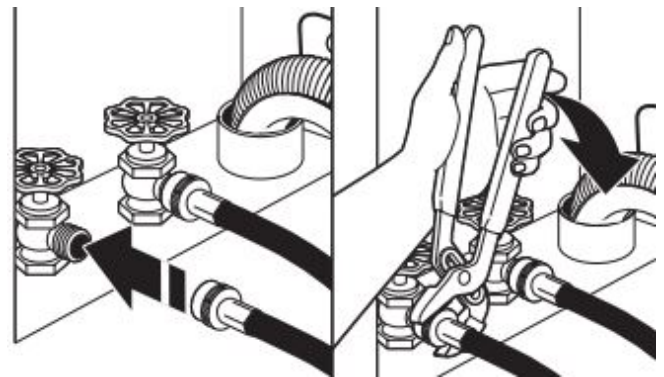
Es responsabilidad del instalador instalar y asegurar la manguera de desagote en el desagote/la plomería que se provee de una manera que impida que la manguera de desagote se salga o presente fugas desde la plomería/el desagote.

Conexión de las mangueras de entrada

La lavadora debe estar conectada a los grifos de agua con mangueras de entrada nuevas y arandelas planas (no provistas). No use mangueras viejas.

NOTA: Ambas mangueras deben estar instaladas y tener flujo de agua a la válvula de llenado. Si solo va a conectar un grifo de agua fría, deberá utilizar un adaptador en Y (no provisto).

8. Conecte las mangueras de entrada a los grifos de agua



IMPORTANTE: No ajuste la manguera en exceso ni use cinta o selladores en la válvula, ya que la pueden dañar.

Conecte la manguera al grifo de agua caliente. Enrosque el acoplamiento a mano hasta que quede asentado en la lavadora. Use pinzas regulables para ajustar los acoplamientos dos tercios de vuelta adicionales. Repita este paso con la segunda manguera para el grifo de agua fría.

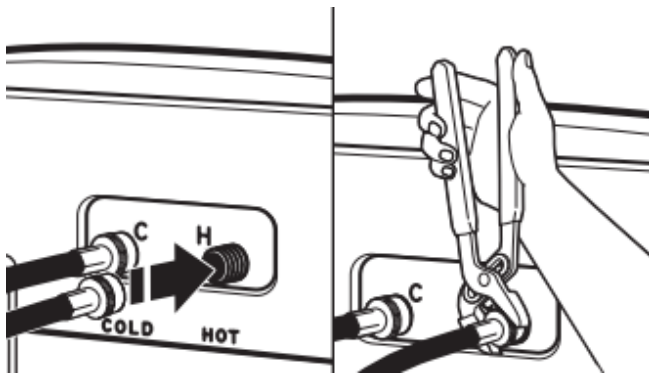
9. Vacíe las líneas de agua



Deje correr el agua durante unos segundos a través de las mangueras en una bañera de lavandería, un desagote o un cubo para evitar atascos. El agua debe correr hasta que salga limpia.

Para ayudar a conectar las mangueras a la lavadora correctamente, tome nota de cuál de las mangueras está conectada al agua caliente.

10. Conecte las mangueras de entrada a la lavadora

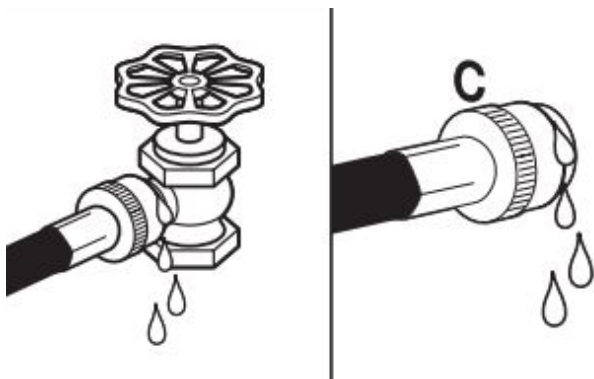


IMPORTANTE: Para reducir el riesgo de falla en las mangueras, replácelas cada 5 años. Registre las fechas de instalación o remplazo para referencia a futuro.

- No ajuste la manguera en exceso ni use cinta o selladores en la válvula. Se pueden dañar las válvulas.
- Inspeccione periódicamente y reemplace las mangueras si aparecen bultos, torceduras, cortaduras, desgaste o filtraciones de agua.

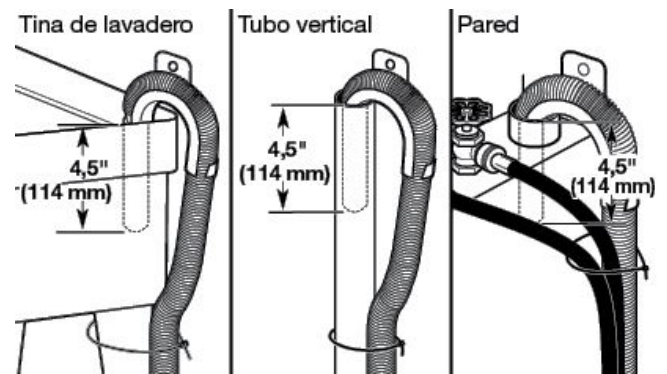
Conecte la manguera de agua caliente a la válvula roja de entrada del agua caliente. Enrosque el acoplamiento a mano hasta que quede firme. Use pinzas para ajustar los acoplamientos dos tercios de vuelta adicionales. Repítalo con la válvula de entrada del agua fría.

11. Revise si hay fugas



Abra los grifos del agua para revisar si hay fugas de agua. Es posible que entre a la lavadora una pequeña cantidad de agua. Que se desaguará más tarde.

12. Asegure la manguera de desagote



Asegure la manguera de desagüe a la pata de la tina del lavadero, al tubo vertical de desagüe o a las mangueras de entrada para el tubo vertical de pared, utilizando una atadura de cable.

Es responsabilidad del instalador instalar y asegurar la manguera de drenaje en el drenaje/la plomería que se provee de una manera que impida que la manguera de drenaje se salga o presente fugas de la plomería/el drenaje.

Nivelación de la lavadora

NOTA: Nivele la lavadora correctamente para reducir el exceso de ruido y vibración.

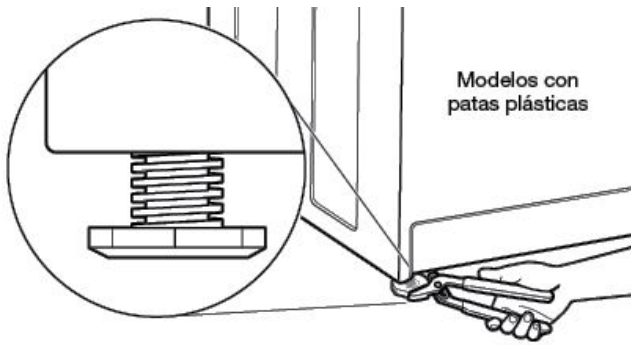
13. Revise la nivelación de la lavadora



Mueva la lavadora a su ubicación final. Coloque un nivel sobre los bordes superiores de la lavadora. Use la hendidura lateral como una guía para revisar la nivelación de los lados. Revise la nivelación del frente usando la tapa, como se muestra. Balancee la lavadora hacia adelante y hacia atrás para asegurarse de que los 4 pies hagan contacto firme con el piso. Si la lavadora está nivelada, saltee al paso 15.



14. Ajuste de las patas niveladoras



Si la lavadora no está nivelada:

Use pinzas regulables para girar la pata niveladora de plástico hacia la izquierda para bajar la lavadora o hacia la derecha para levantarla.

Revise la nivelación de la lavadora nuevamente y repita el procedimiento según sea necesario.

CONSEJOS ÚTILES:

- Es posible que deba regular dos patas distintas para nivelar la unidad. Asegúrese de que cada pata permanezca fija en la base de la unidad.
- Puede apuntalar el frente de la lavadora aproximadamente 4" (102 mm) con un bloque de madera o un objeto similar que vaya a soportar el peso de la lavadora.

⚠ ADVERTENCIA



Peligro de choque eléctrico

Conecte a un tomacorriente con conexión a tierra de 3 terminales.

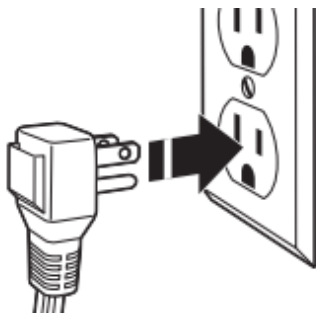
No quite el terminal de conexión a tierra.

No use un adaptador.

No utilice un cable de extensión.

No seguir estas instrucciones puede ocasionar la muerte, un incendio o un choque eléctrico.

15. Enchufe en un tomacorriente de 3 terminales con conexión a tierra



Lista de control de la instalación terminada

- Revise los requisitos eléctricos. Asegúrese de contar con suministro eléctrico correcto y el método recomendado de conexión a tierra.
- Verifique que todas las piezas estén ahora instaladas. Si hay alguna pieza extra, vuelva a revisar todos los pasos para ver qué se omitió.
- Verifique que tenga todas las herramientas.
- Revise que los materiales de transporte se hayan quitado por completo de la lavadora.
- Verifique que la lavadora esté nivelada.
- Verifique que los grifos de agua estén abiertos.
- Verifique si hay fugas alrededor de los grifos y de las mangueras de entrada.
- Quite la película protectora de la consola y la cinta que quede en la lavadora.
- Revise que la lavadora esté enchufada en un tomacorriente de 3 terminales con conexión a tierra.
- Deseche o recicle todo el material de embalaje.
- Lea la sección "Mantenimiento y cuidado de la lavadora".
- Para probar y limpiar su lavadora, mida 1/2 de la cantidad normal recomendada de detergente de alto rendimiento (HE) en polvo o líquido y viértalo en la canasta de la lavadora o en el dosificador de detergente (en algunos modelos). Cierre la tapa. Seleccione cualquier ciclo. Ponga en marcha la lavadora y deje que termine un ciclo completo.

NOTES

NOTES

NOTES

