

JENNAIR® 36" (91.4 CM) ISLAND CANOPY RANGE HOOD

HOTTE DE CUISINIÈRE JENNAIR® POUR ÎLOT DE 36" ET (91,4 CM)

Installation Instructions and Use & Care Guide

For questions about features, operation/performance, parts, accessories, or service in the U.S.A., call:
1-800-JENNAIR (1-800-536-6247) or visit our website at **www.jennair.com**.

In Canada, call: **1-800-JENNAIR (1-800-536-6247)** or visit our website at **www.jennair.ca**.

Instructions d'installation et Guide d'utilisation et d'entretien

Au Canada, pour assistance, installation ou service, composez le **1-800-JENNAIR (1-800-536-6247)** ou visitez notre site web
à **www.jennair.ca**.

Table of Contents/Table des matières 2

**IMPORTANT: READ AND SAVE THESE INSTRUCTIONS.
FOR RESIDENTIAL USE ONLY.**

**IMPORTANT : LIRE ET CONSERVER CES INSTRUCTIONS.
POUR UTILISATION RÉSIDENNELLE UNIQUEMENT.**

TABLE OF CONTENTS

TABLE DES MATIÈRES	2
INSTALLATION REQUIREMENTS	4
Tools and Parts.....	4
Location Requirements.....	4
Venting Requirements.....	5
Electrical Requirements.....	6
INSTALLATION INSTRUCTIONS	7
Prepare Location.....	7
Assemble and Install Range Hood.....	7
Make Electrical Connection.....	10
Install Duct Covers.....	10
Complete Installation.....	12
RANGE HOOD USE	12
Controls and Features.....	12
RANGE HOOD CARE	13
Cleaning.....	13
WIRING DIAGRAM	14
ASSISTANCE OR SERVICE	15
In the U.S.A.....	15
In Canada.....	15
Accessories.....	15

TABLE DES MATIÈRES

SÉCURITÉ DE LA HOTTE DE CUISINIÈRE	16
EXIGENCES D'INSTALLATION	18
Outils et pièces.....	18
Exigences d'emplacement.....	18
Exigences concernant l'évacuation.....	19
Spécifications électriques.....	20
INSTRUCTIONS D'INSTALLATION	21
Préparation de l'emplacement.....	21
Assemblage et installation de la hotte.....	22
Raccordement électrique.....	24
Installation des cache-conduits.....	25
Achever l'installation.....	27
UTILISATION DE LA HOTTE	27
Commandes et caractéristiques.....	27
ENTRETIEN DE LA HOTTE	29
Cleaning.....	29
SCHÉMA DE CÂBLAGE	30
ASSISTANCE OU SERVICE	31
Au Canada.....	31
Accessoires.....	31

RANGE HOOD SAFETY

Your safety and the safety of others are very important.

We have provided many important safety messages in this manual and on your appliance. Always read and obey all safety messages.



This is the safety alert symbol.

This symbol alerts you to potential hazards that can kill or hurt you and others.

All safety messages will follow the safety alert symbol and either the word "DANGER" or "WARNING."

These words mean:

⚠ DANGER

You can be killed or seriously injured if you don't immediately follow instructions.

⚠ WARNING

You can be killed or seriously injured if you don't follow instructions.

All safety messages will tell you what the potential hazard is, tell you how to reduce the chance of injury, and tell you what can happen if the instructions are not followed.

IMPORTANT SAFETY INSTRUCTIONS

WARNING: TO REDUCE THE RISK OF FIRE, ELECTRIC SHOCK, OR INJURY TO PERSONS, OBSERVE THE FOLLOWING:

- Use this unit only in the manner intended by the manufacturer. If you have questions, contact the manufacturer.
- Before servicing or cleaning unit, switch power off at service panel and lock the service disconnecting means to prevent power from being switched on accidentally. When the service disconnecting means cannot be locked, securely fasten a prominent warning device, such as a tag, to the service panel.
- Installation work and electrical wiring must be done by qualified person(s) in accordance with all applicable codes and standards, including fire-rated construction.
- Do not operate any fan with a damaged cord or plug. Discard fan or return to an authorized service facility for examination and/or repair.
- Sufficient air is needed for proper combustion and exhausting of gases through the flue (chimney) of fuel burning equipment to prevent back drafting. Follow the heating equipment manufacturer's guideline and safety standards such as those published by the National Fire Protection Association (NFPA), and the American Society for Heating, Refrigeration and Air Conditioning Engineers (ASHRAE), and the local code authorities.
- When cutting or drilling into wall or ceiling, do not damage electrical wiring and other hidden utilities.
- Ducted fans must always be vented to the outdoors.

CAUTION: For General Ventilating Use Only. Do Not Use To Exhaust Hazardous Or Explosive Materials And Vapors.

CAUTION: To reduce risk of fire and to properly exhaust air, be sure to duct air outside -Do not vent exhaust air into spaces within walls or ceilings or into attics, crawl spaces, or garages.

WARNING: TO REDUCE THE RISK OF FIRE, USE ONLY METAL DUCTWORK.

WARNING: TO REDUCE THE RISK OF A RANGE TOP GREASE FIRE:

- Never leave surface units unattended at high settings. Boilovers cause smoking and greasy spillovers that may ignite. Heat oils slowly on low or medium settings.
- Always turn hood ON when cooking at high heat or when flambeing food (i.e. Crepes Suzette, Cherries Jubilee, Peppercorn Beef Flambé).
- Clean ventilating fans frequently. Grease should not be allowed to accumulate on fan or filter.
- Use proper pan size. Always use cookware appropriate for the size of the surface element.

WARNING: TO REDUCE THE RISK OF INJURY TO PERSONS IN THE EVENT OF A RANGE TOP GREASE FIRE, OBSERVE THE FOLLOWING^a:

- SMOTHER FLAMES with a close-fitting lid, cookie sheet, or metal tray, then turn off the burner. BE CAREFUL TO PREVENT BURNS. If the flames do not go out immediately, EVACUATE AND CALL THE FIRE DEPARTMENT.
- NEVER PICK UP A FLAMING PAN - You may be burned.
- DO NOT USE WATER, including wet dishcloths or towels - a violent steam explosion will result.
- Use an extinguisher ONLY if:
 - You know you have a Class ABC extinguisher, and you already know how to operate it.
 - The fire is small and contained in the area where it started.
 - The fire department is being called.
 - You can fight the fire with your back to an exit.

^aBased on "Kitchen Fire Safety Tips" published by NFPA.

- **WARNING:** To Reduce The Risk Of Fire Or Electric Shock, Do Not Use This Fan With Any Solid-State Speed Control Device.
- This appliance is not intended for use by people (including children) whose physical, sensory or mental capacities are different or impaired or who lack the necessary experience or knowledge/expertise to do so, unless such persons are supervised or are trained to operate the appliance by a person who accepts responsibility for their safety.

READ AND SAVE THESE INSTRUCTIONS

INSTALLATION REQUIREMENTS

Tools and Parts

Gather the required tools and parts before starting installation. Read and follow the instructions provided with any tools listed here.

Tools needed

- Level
- Drill with 1¼" (3 cm), 3/8" (9.5 mm), 7/64" (2.75 mm) and 1/8" (3 mm) drill bits
- Pilot hole drill bits (determined by chimney support attachment method)
- Pencil
- Wire stripper or utility knife
- Tape measure or ruler
- Pliers
- Caulking gun and weatherproof caulking compound
- Vent clamps
- Jigsaw or keyhole saw
- Flat-blade screwdriver
- Metal snips
- Phillips screwdriver

Parts needed

- Home power supply cable
- 1/2" (12.7 mm) UL listed or CSA approved strain reliefs (2)
- UL listed wire connectors (3)

For vented installations, you will also need:

- Wall or roof cap
- Metal vent system

For non-vented (recirculating) installations, you will also need:

- Recirculating Kit for non-vented (recirculating) installations only. See "Assistance or Service" section to order.
- 6" (15.2 cm) round metal vent duct. Length required is determined by ceiling height.

Parts Supplied

Remove parts from packages. Check that all parts are included.

- Hood canopy assembly with ventilator and LED light installed
- Filter - installed in hood canopy
- Levelling screws (2)
- Nuts (2)
- 4.2 x 8 mm screws (60)
- 5 x 45 mm screws (4)
- Mounting template
- Upper vent covers (2)
- Lower vent covers (2)
- Vent transition with back draft damper installed
- 3.5 x 9.5 mm mounting screws (2)
- Plastic vent clips (4)
- Upper horizontal support bracket
- Horizontal support
- Vertical supports (8)
- 3.5 x 6.5 mm screws (4)
- 2.9 x 3 mm screws (2)
- T10® Torx®† adapter
- T20® Torx® adapter

Location Requirements

IMPORTANT: Observe all governing codes and ordinances.

Have a qualified technician install the range hood. It is the installer's responsibility to comply with installation clearances specified on the model/serial/rating plate. The model/serial rating plate is located behind the left filter on the rear wall of the vent hood.

Canopy hood location should be away from strong draft areas, such as windows, doors and strong heating vents.

Cabinet opening dimensions that are shown must be used. Given dimensions provide minimum clearance.

Grounded electrical outlet is required. See "Electrical Requirements" section.

Because of the size and weight of this island hood, the chimney support must be securely attached to the ceiling.

- For plaster or drywall ceilings, the chimney support must be attached to joists. If this is not possible, you must build a support structure behind the plaster or drywall. The support structure must be able to support 100 lbs (45.4 kg).

This range hood is recommended for use with cooktops with a maximum total rating of 78,000 BTUs or less.

The range hood is factory set for venting through the roof.

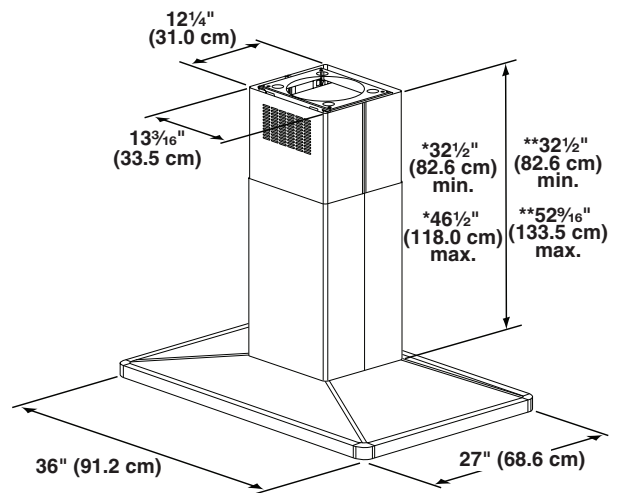
For non-vented (recirculating) installation, see "Non-vented (recirculating) Installations" in "Assemble and Install Range Hood" section. Recirculation Kit Part Number W10692909 is available from your dealer or an authorized parts distributor.

All openings in ceiling and wall where range hood will be installed must be sealed.

For Mobile Home Installations

The installation of this range hood must conform to the Manufactured Home Construction Safety Standards, Title 24 CFR, Part 328 (formerly the Federal Standard for Mobile Home Construction and Safety, Title 24, HUD, Part 280) or when such standard is not applicable, the standard for Manufactured Home Installation 1982 (Manufactured Home Sites, Communities and Setups) ANSI A225.1/NFPA 501A, or latest edition, or with local codes.

Product Dimensions

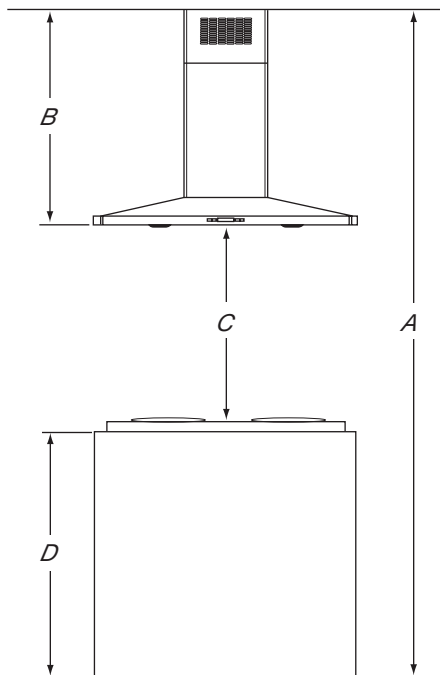


*Vented installations only

**Non-vented (recirculating) installations only

†®TORX, T10 and T20 are registered trademarks of Acument Intellectual Properties, LLC.

Installation Dimensions



- A. Ceiling height
 B. Hood height from ceiling to bottom of the range hood: $A - C - D = B$
 C. 24" (61.0 cm) minimum to 36" (91.4 cm) maximum suggested hood height
 D. Countertop height

IMPORTANT:

Minimum distance "C": 24" (61.0 cm) from electric cooking surface.

Minimum distance "C": 27" (68.6 cm) from gas cooking surface.

Suggested maximum distance "C": 36" (91.4 cm)

The chimneys can be adjusted for different ceiling heights. See the following chart.

Vented Installations		
	Min. ceiling height	Max. ceiling height
Electric cooking surface	7' 9" (2.3 m)	9' 10" (3.0 m)
Gas cooking surface	8' (2.44 m)	9' 10" (3.0 m)
Non-vented (Recirculating) Installations		
	Min. ceiling height	Max. ceiling height
Electric cooking surface	7' 9" (2.36 m)	10' 4" (3.15 m)
Gas cooking surface	8' (2.44 m)	10' 4" (3.15 m)

***NOTE:** The range hood chimneys are adjustable and designed to meet varying ceiling or soffit heights depending on the distance "C" between the bottom of the range hood and the cooking surface. For higher ceilings, a Stainless Steel Chimney Extension Kit Part Number W10688278 is available from your dealer or an authorized parts distributor. The chimney extension replaces the upper chimney shipped with the range hood.

Venting Requirements

- Vent system must terminate to the outside, except for non-vented (recirculating) installations.
- Do not terminate the vent system in an attic or other enclosed area.
- Do not use 4" (10.2 cm) laundry-type wall caps.
- Use metal vent only. Rigid metal vent is recommended. Do not use plastic or metal foil vent.
- The vent system must have a damper. If the roof or wall cap has a damper, do not use the damper supplied with the range hood.

For the most efficient and quiet operation:

- Use a straight run or as few elbows as possible.
- Use no more than three 90° elbows.
- Make sure there is a minimum of 24" (61.0 cm) of straight vent between the elbows, if more than 1 elbow is used.
- Do not install 2 elbows together.
- Use vent clamps to seal all joints in the vent system.
- Use caulking to seal exterior wall or roof opening around the cap.
- The size of the vent should be uniform.

Cold Weather Installations

An additional back draft damper should be installed to minimize backward cold air flow and a thermal break should be installed to minimize conduction of outside temperatures as part of the vent system. The damper should be on the cold air side of the thermal break.

The break should be as close as possible to where the vent system enters the heated portion of the house.

Makeup Air

Local building codes may require the use of makeup air systems when using ventilation systems greater than specified CFM of air movement. The specified CFM varies from locale to locale. Consult your HVAC professional for specific requirements in your area.

Venting Methods

This island hood is factory set for venting through the roof.

An 6" (15.2 cm) round vent system is needed for installation (not included). The hood exhaust opening is 6" (15.2 cm) round.

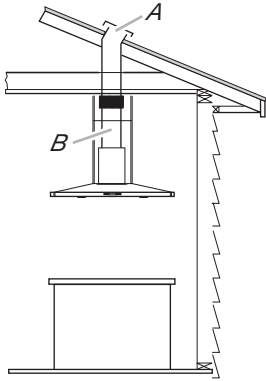
NOTE: Flexible vent is not recommended. Flexible vent creates back pressure and air turbulence that greatly reduce performance.

Vent system can terminate either through the roof or wall. To vent through a wall, a 90° elbow is needed.

For Non-Vented (recirculating) Installations

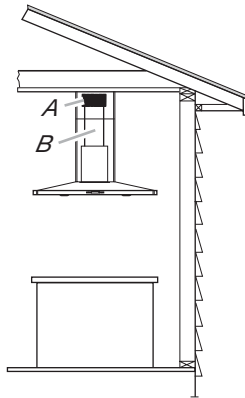
If it is not possible to vent cooking fumes and vapors to the outside, the hood can be used in the non-vented (recirculating) version, fitting a charcoal filter and the deflector. Fumes and vapors are recycled through the top grille.

Roof venting



A. Roof cap
B. 6" (15.2 cm) round vent

Non-vented (recirculating)





A. Deflector
B. 6" (15.2 cm) round vent

NOTE: Wall venting can be an option for 2-story homes.

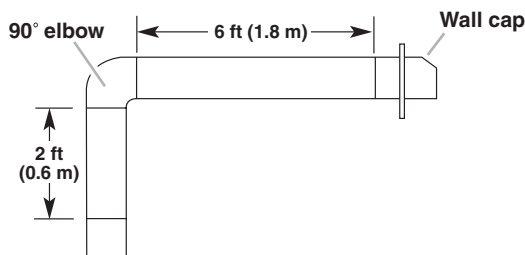
Calculating Vent System Length

To calculate the length of the system you need, add the equivalent feet (meters) for each vent piece used in the system.

Vent Piece	6" (15.2 cm) Round	
45° elbow	2.5 ft (0.8 m)	
90° elbow	5.0 ft (1.5 m)	

Maximum equivalent vent length is 35 ft (10.7 m).

Example Vent System



The following example falls within the maximum vent length of 35 ft (10.7 m).

1 - 90° elbow	= 5 ft (1.5 m)
1 - wall cap	= 0 ft (0.0 m)
8 ft (2.4 m) straight	= 8 ft (2.4 m)
System length	= 13 ft (3.9 m)

Electrical Requirements

Observe all governing codes and ordinances.

Ensure that the electrical installation is adequate and in conformance with National Electrical Code, ANSI/NFPA 70 (latest edition), or CSA Standards C22.1-94, Canadian Electrical Code, Part 1 and C22.2 No. 0-M91 (latest edition) and all local codes and ordinances.

If codes permit and a separate ground wire is used, it is recommended that a qualified electrician determine that the ground path is adequate.

A copy of the above code standards can be obtained from:

National Fire Protection Association
1 Batterymarch Park
Quincy, MA 02169-7471

CSA International
8501 East Pleasant Valley Road
Cleveland, OH 44131-5575

- A 120 V, 60 Hz, AC only, 15 A, fused electrical circuit is required.
- If the house has aluminum wiring, follow the procedure below:

Connect the aluminum wiring using special connectors and/or tools designed and UL listed for joining copper to aluminum.

Follow the electrical connector manufacturer's recommended procedure. Aluminum/copper connection must conform with local codes and industry accepted wiring practices.

- Wire sizes and connections must conform with the rating of the appliance as specified on the model/serial/rating plate. The model/serial/rating plate is located behind the left filter on the rear wall of the range hood.
- Wire sizes must conform to the requirements of the National Electrical Code, ANSI/NFPA 70 (latest edition), or CSA Standards C22.1-94, Canadian Electrical Code, Part 1 and C22.2 No. 0-M91 (latest edition) and all local codes and ordinances.

INSTALLATION INSTRUCTIONS

Prepare Location

- It is recommended that the vent system be installed before the range hood is installed.
 - Before making cutouts, make sure there is proper clearance within the ceiling for exhaust vent.
 - Range hood is to be installed 24" (61.0 cm) min. for electric cooking surfaces, 27" (68.6 cm) min. for gas cooking surfaces, to a suggested maximum of 36" (91.4 cm) above the cooking surface.
 - Check your ceiling height and the range hood height maximum before you select your hood.
1. Disconnect power.
 2. Determine which venting method to use: roof, wall, or non-vented.
 3. Select a flat surface for assembling the range hood. Place covering over that surface.

! WARNING

Excessive Weight Hazard

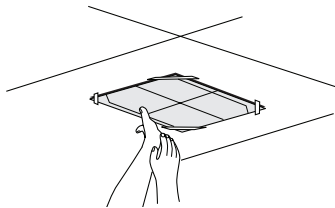
Use two or more people to move and install range hood.

Failure to do so can result in back or other injury.

4. Using 2 or more people, lift range hood onto covered surface.

Range Hood Mounting Screws Installation

1. Determine and mark the centerline on the ceiling where the range hood will be installed, considering the requirements for ceiling support structures. See the "Location Requirements" section. Make sure the range hood is centered over the cooking surface.
2. Tape template in place on the ceiling at the marked centerline. The line for the front of the range hood should be parallel to the front of the cooktop.



3. Use a pencil to mark the mounting screws, wire access and duct hole locations on the ceiling.

NOTE: Mounting hole locations should be into a ceiling support structure capable of holding 100 lbs (45.4 kg). Remove the template.

4. Drill (4) 3/16" (4.8 mm) pilot holes for mounting the upper horizontal support

Complete Preparation

1. Determine the required location for the home power supply cable and drill a 1/2" (1.3 cm) diameter hole for wire access.
2. Run wire through the home power supply cable according to the National Electrical Code or CSA Standards and local codes and ordinances. There must be enough 1/2" conduit and wires from the fused disconnect (or circuit breaker) box to make the connection in the hood's electrical terminal box.

NOTE: Do not reconnect power until installation is complete.

3. **For vented installations only:** Using a jigsaw or keyhole saw, cut a 6 1/2" (16.5 cm) diameter hole for the vent duct.

Install In-Line Smart Kit - Optional

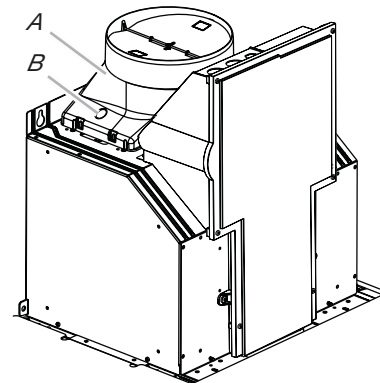
NOTE: Your range hood can work with either an internal or an in-line (external) blower motor system. An optional In-Line Smart Kit (purchased separately) allows the blower motor that comes with this range hood to be installed in a location other than inside the range hood cavity.

CAUTION: To reduce the risk of fire and electric shock, install this range hood only with the In-Line Smart Kit manufactured by Whirlpool, W10692945.

For installation see the In-Line Smart Kit installation instructions. See the "Assistance or Service" section to order.

Assemble and Install Range Hood

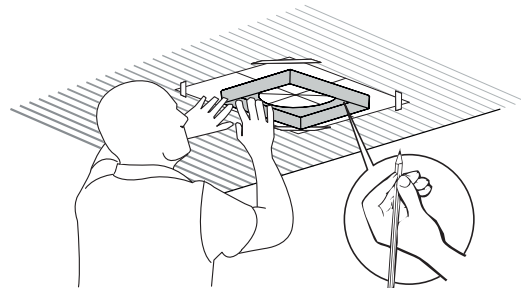
1. Install transition on top of hood (if removed for shipping) with 2 - 3.5 x 9.5 mm sheet metal screws.



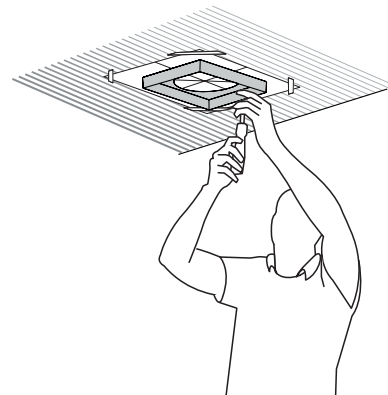
A. Vent transition

B. 3.5 x 9.5 mm screw

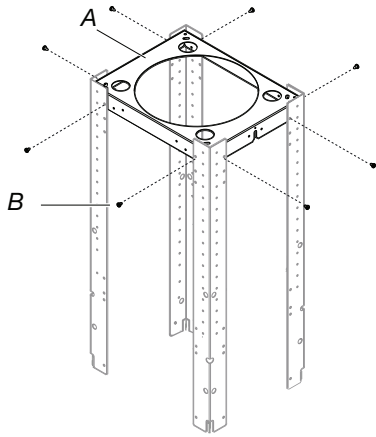
2. Mark with a pencil the hole locations for screws and duct on the ceiling.



3. Fix the upper horizontal support with 4 wood screws.

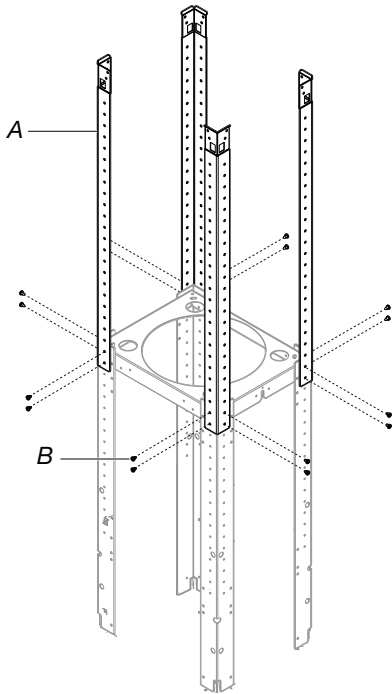


4. Install the lower horizontal support with 8 - 4.2x8 mm screws.



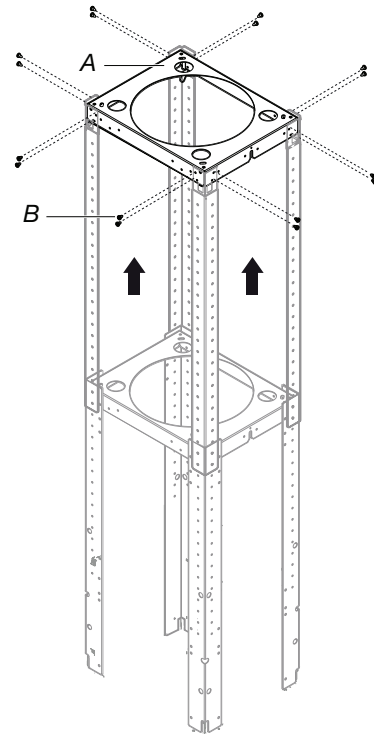
A. Lower horizontal support
B. 8 - 4.2x8 mm screws

5. Install the 4 upper vertical supports with 16 - 4.2x8 mm screws.



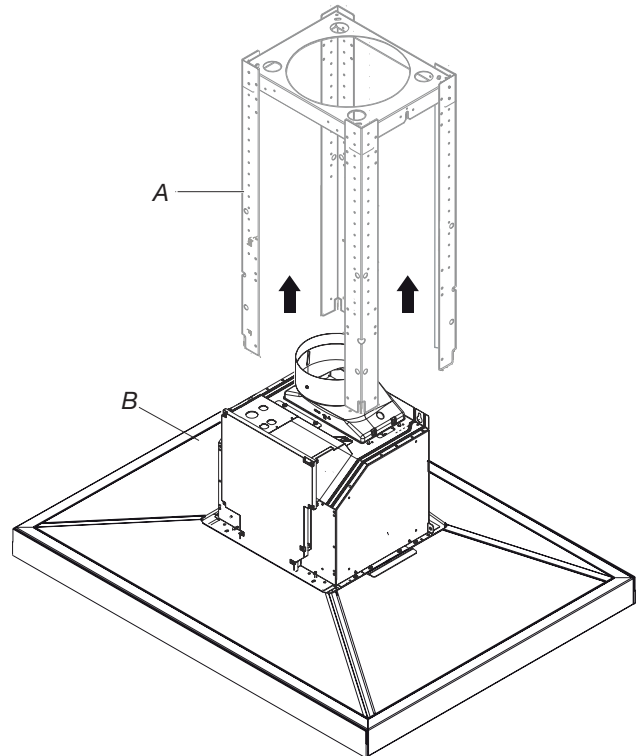
A. 4- Upper vertical supports
B. 16 - 4.2x8 mm screws

6. Install the structure to the upper horizontal support with 16 - 4.2x8 mm screws.



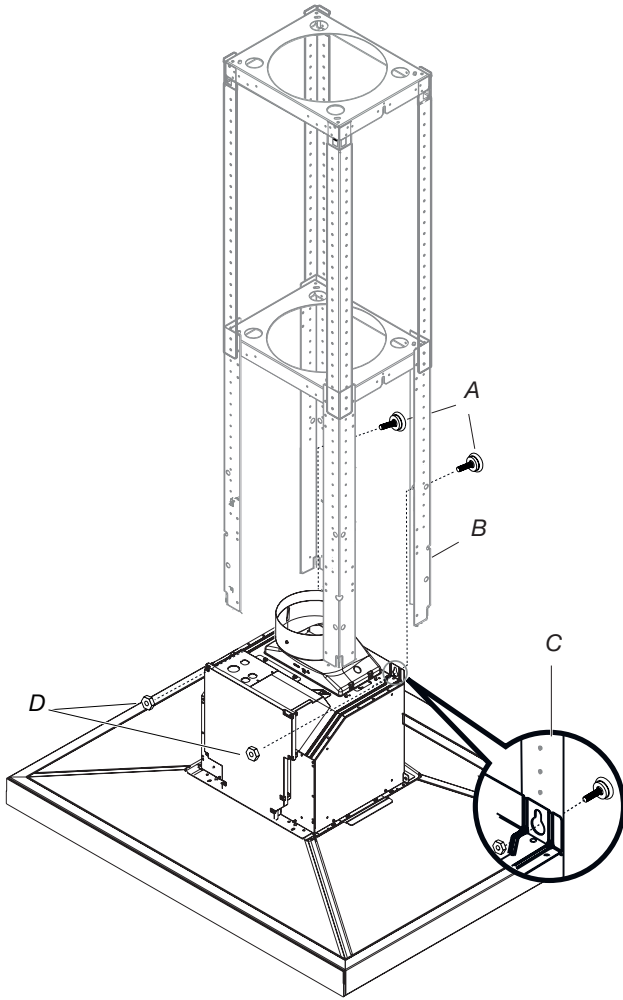
A. Upper horizontal support
B. 16 - 4.2x8 mm screws

7. Using 2 or more people, lift the range hood assembly under the structure.



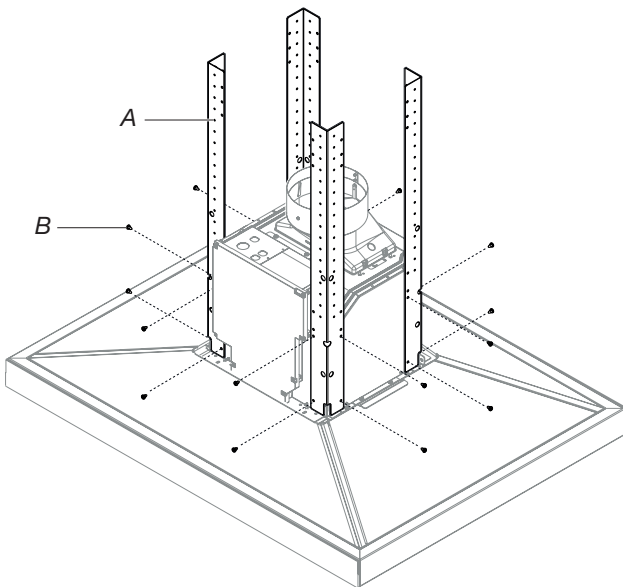
A. Range hood assembly
B. Lower vertical supports

8. Attach the range hood assembly to the lower vertical supports with 2 leveling screws and 2 nuts.



- A. 2 - Leveling screws
 B. Lower vertical support
 C. Place leveling screws through the structure
 D. Nut

9. Install the 4 lower vertical supports with 16 - 4.2x8 mm screws. Make sure all screws are securely tightened



- A. 4 - Lower vertical supports
 B. 16 - 4.2 x 8 mm screws

Make Electrical Connection

⚠ WARNING



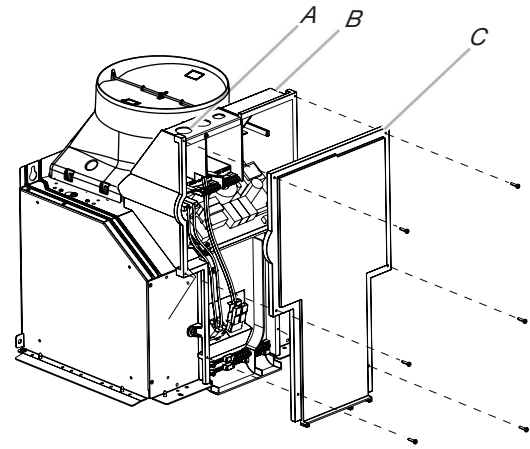
Electrical Shock Hazard

Disconnect power before servicing.

Replace all parts and panels before operating.

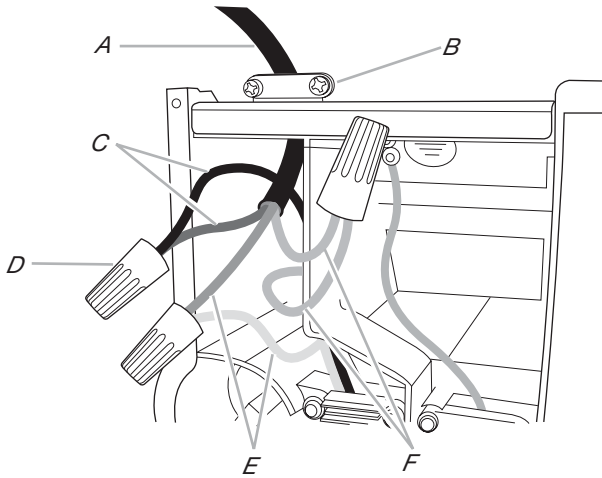
Failure to do so can result in death or electrical shock.

1. Disconnect power.
2. Remove terminal box cover.
3. Remove the knockout in the terminal box, and then install a UL listed or CSA approved 1/2" (12.7 mm) strain relief.



- A. Knockout
 B. Terminal box
 C. Terminal box cover

- Run home power supply cable through strain relief and into the terminal box.



- A. Home power supply cable
- B. UL listed or CSA approved strain relief
- C. Black wires
- D. UL listed wire connectors
- E. White wires
- F. Green (or bare) and yellow-green ground wires

- Use UL listed wire connectors and connect black wires (C) together.
- Use UL listed wire connectors and connect white wires (E) together.

⚠ WARNING

Electrical Shock Hazard

Electrically ground blower.

Connect ground wire to green and yellow ground wire in terminal box.

Failure to do so can result in death or electrical shock.

- Connect green (or bare) ground wire from home power supply to yellow-green ground wire (F) in terminal box using UL listed wire connectors.
- Tighten strain relief screw.
- Install terminal box cover.
- Check that all light bulbs are secure in their sockets.
- Reconnect power.

Optional Power Cord Kit Installations

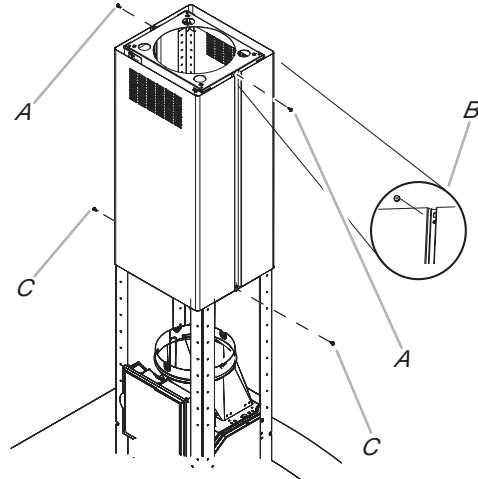
For optional power cord kit installations, follow the instructions supplied with the power cord kit. See the "Assistance or Service" section for information on ordering.

NOTE: Use only with range hood cord connection kits that have been investigated and found acceptable for use with this model range hood.

Install Duct Covers

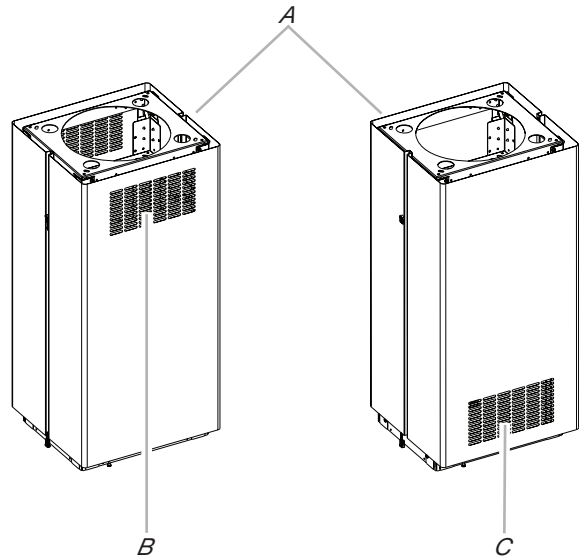
NOTE: Remove the film from the duct covers.

- Assemble the upper duct covers together, and then install the duct covers around the support frame. The larger hole in the flanges of the upper duct cover must be outside the smaller hole in the mating flange of the other upper duct cover.
- Secure the upper duct covers together with two 3.5 x 6.5 mm screws at the top and two 2.9 x 3 mm screws at the bottom. Install 1 screw on each side at the top and bottom of the assembled duct covers.



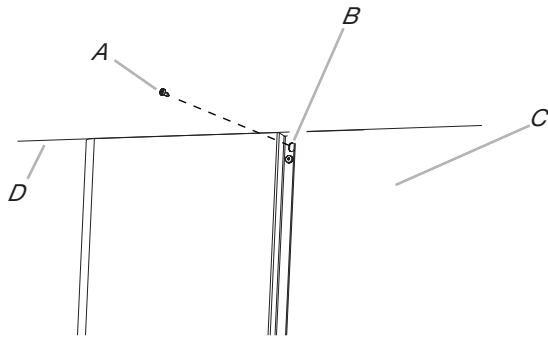
- A. 3.5 x 6.5 mm screws (2)
- B. Assembly holes (larger hole outside of smaller hole on both sides)
- C. 2.9 x 3 mm screws (2)

NOTE: For non-vented (recirculating) installation, the slotted holes in the upper duct covers will be visible when assembled. For vented installations, the slotted holes will be hidden down inside the lower duct covers.



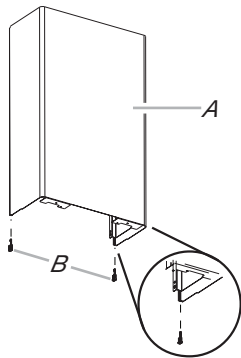
- A. Top toward ceiling
- B. Slots installed up for non-vented installations
- C. Slots installed down for vented installations

- Slide the upper duct covers up the frame to the ceiling, and then secure to the upper horizontal support with 2 - 3.5 x 6.5 mm screws.



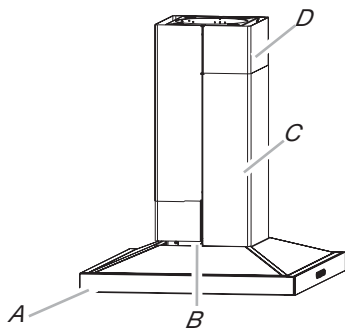
A. 3.5 x 6.5 mm screw
B. Slotted holes (2)
C. Upper duct covers
D. Ceiling

- Place the long end of the plastic clips (2) into the bottom of the front lower duct cover.



A. Lower duct cover - (front)
B. Plastic clips (2) (long end for front placement)

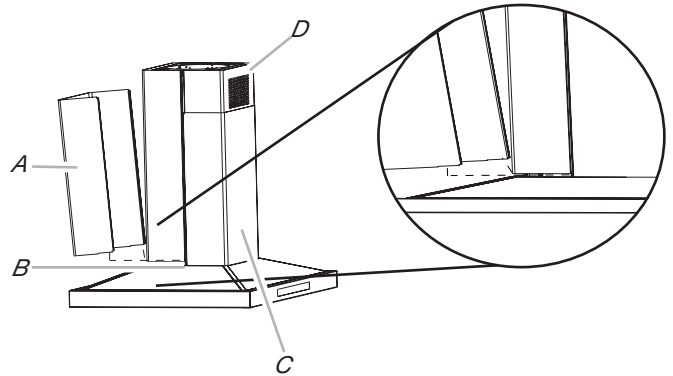
- Install the lower duct cover (front) to the range hood canopy. Spread the lower duct cover opening slightly and position it over the upper duct cover. Set the lower duct cover in place. Position so the flanges of the lower duct cover set into the flanges of the upper duct covers.



A. Range hood canopy
B. Plastic clips
C. Lower duct covers
D. Upper duct covers

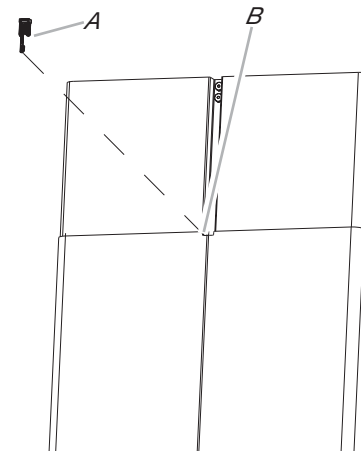
- Install the lower duct cover (rear) to the range hood canopy. Spread the lower duct cover opening slightly and position it over the upper duct cover. Set the lower duct cover in place. Position so the flanges of the lower duct cover set into the flanges of the upper duct cover. Make sure the front and rear lower duct covers mate properly.

NOTE: When assembling the rear lower duct cover to the front lower duct cover, the flange (both sides) must be placed over the plastic clip to secure the lower duct covers together at the bottom.



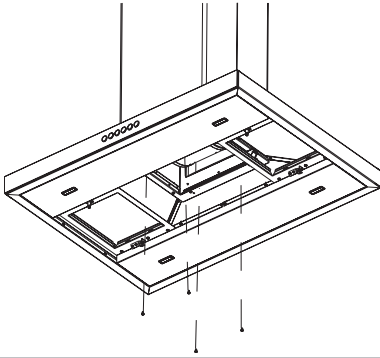
A. Lower duct cover (rear)
B. Plastic clips
C. Lower duct covers
D. Upper duct covers

- Secure the lower duct covers together at the top using plastic clips (2). Use one plastic clip on each side.



A. Plastic clips (2)
B. Lower duct covers top clip area

- Secure the lower duct cover to the range hood canopy using 4 - 4.2 x 8 mm screws.



Complete Installation

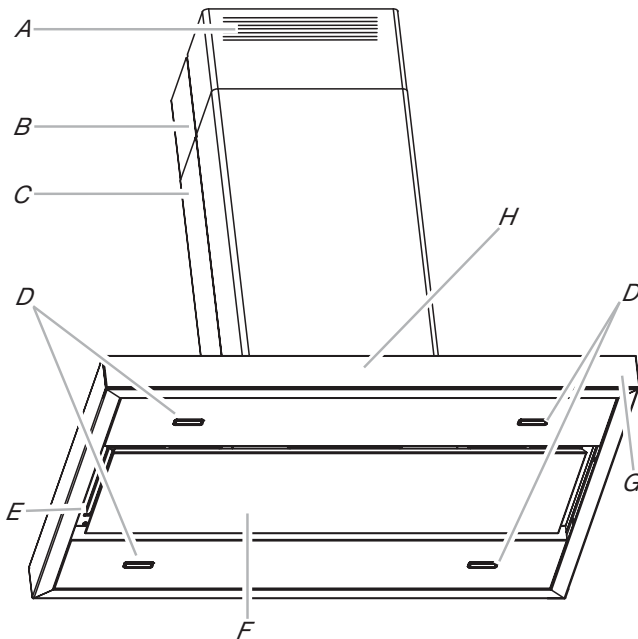
- For non-vented (recirculating) installations only, install charcoal filters onto the metal filters. See the “Range Hood Care” section.
- Install metal filters. See the “Range Hood Care” section.
- Check the operation of the range hood blower and light. See the “Range Hood Use” section. If range hood does not operate, check to see whether a circuit breaker has tripped or a household fuse has blown.

NOTE: To get the most efficient use from your new range hood, read the “Range Hood Use” section.

RANGE HOOD USE

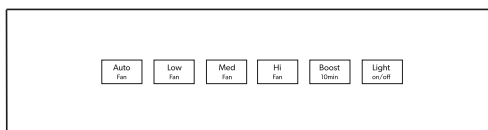
The range hood is designed to remove smoke, cooking vapors and odors from the cooktop area. For best results, start the hood before cooking and allow it to operate several minutes after the cooking is complete to clear all smoke and odors from the kitchen.

The range hood controls are located on the front side of the canopy.



- | | |
|---|--|
| A. Louver holes (non-vented [recirculating] installations only) | E. Metal grease filters (located behind the perimetic cover) |
| B. Upper duct covers | F. Perimetic cover |
| C. Lower duct covers | G. Canopy |
| D. LED lights (4) | H. Control panel |

Control Panel



Controls and Features

NOTES:

- To activate the controls, press and release the desired button.
- The control feature button will be lit when a control feature is turned On.

Sleep Mode

The range hood automatically enters Sleep Mode when not in use. After 10 minutes of no range hood activity, all of the control button lights will turn Off. To deactivate Sleep Mode, press any button.

Auto Sense

Auto Sense allows the range hood fan to turn on automatically when it senses heat higher than its allowable temperature limit. When Auto Sense is On, the fan speed will increase or decrease based on the temperature Auto Sense is measuring.

Auto Sense can be manually increased by pressing a higher fan speed. The fan will run at the selected speed for 10 minutes before returning to the speed selected for Auto Sense.

If Auto Sense is On, the Auto button light will turn Off and go into Sleep Mode when the vent hood is not in use. If the vent hood is turned On by the consumer or by Auto Sense, the Auto button light will turn On.

To set Auto Sense:

Press AUTO.

To Select Auto Sense Cooktop Type:

NOTE: The range hood is factory-set for the gas cooktop mode.

Press and hold AUTO for 5 seconds to switch between the gas cooktop and electric cooktop modes.

The Auto button light will flash 5 times when the range hood is changed to the electric cooktop mode. Auto Sense is now set to work with electric cooktops and ranges.

The Auto button light will flash 3 times when the range hood is changed to the gas cooktop mode. Auto Sense is now set to work with gas cooktops and ranges.

Changing the cooktop type will change the temperature limit for Auto Sense to turn On. When the range hood senses a high enough temperature, the fan will start automatically. When the temperature drops below the set temperature limit, the fan will stop automatically. The Auto button light will turn Off after the range hood enters Sleep Mode, but Auto Sense is still active.

To Deactivate Auto Sense:

If the Auto button is lit, press AUTO once to deactivate Auto Sense. The Auto button light will turn Off.

If Auto Sense is in Sleep Mode, press AUTO once to deactivate Sleep Mode and turn the Auto button light On. Press AUTO again to deactivate Auto Sense and turn Off the Auto button light.

Auto Sense will automatically turn off after 2 hours of no activation of the Auto Sense system. To reset Auto Sense, press AUTO.

Manual Vent Functions

Fan Speeds

Low	Press LOW to turn the fan on at Low speed.
Med	Press MED to turn the fan on at Medium speed.
Hi	Press HI to turn the fan on at High speed.
Boost	Press BOOST to turn the fan on at the highest speed. Boost will automatically turn Off after 10 minutes and the fan will switch to High speed.

Timer

The range hood can be set to turn Off automatically after 15 minutes.

1. Press and hold the desired fan speed button for 2 seconds. The fan will run on the chosen speed for 15 minutes, and the fan speed button light will flash continuously. After 15 minutes, the fan will turn Off automatically.
2. Press the desired fan speed button again while the fan timer is running to cancel the fan timer.

NOTE: Changing the fan speed or turning Auto Sense On will also cancel the 15-minute timer.

Light

The range hood has both task and ambient lighting.

To operate the lights:

1. Touch LIGHT once to turn the LED task lights On.
2. Touch LIGHT again to turn LED task lights Off. The ambient lights will turn On.
3. Touch LIGHT a third time to turn the ambient lights Off.

NOTE: To turn both the task and ambient lights on at the same time, touch and hold LIGHT for 2 seconds. Touch LIGHT again to turn the task and ambient lights Off.

RANGE HOOD CARE

Cleaning

IMPORTANT: Clean the hood and grease filters frequently according to the following instructions. Replace grease filters before operating hood.

Exterior Surfaces:

To avoid damage to the exterior surface, do not use steel wool or soap-filled scouring pads.

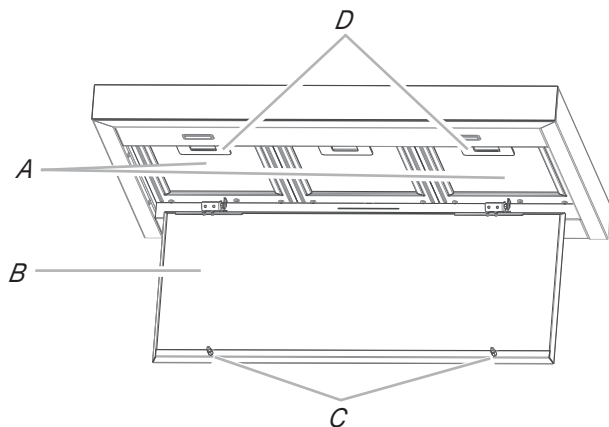
Always wipe dry to avoid water marks.

Cleaning Method:

- All purpose cleaner.
- Wipe with damp soft cloth or nonabrasive sponge, and then rinse with clean water and wipe dry.

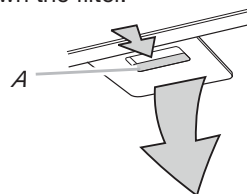
Metal Grease Filter

1. Open the stainless steel panel. Grasp panel at the front corners and pull down to disengage the 2 catch pins from the spring catches. The panel is attached at the rear and will rotate down.



A. Metal filters
B. Stainless steel panel
C. Catch pins (2)
D. Spring catches (2)

2. Remove each filter by pulling the spring release handle and then pulling down the filter.



A. Spring release handle

3. Wash metal filters as needed in dishwasher or hot detergent solution.
4. Reinstall the filter by making sure the spring release handles are toward the front. Insert aluminum filter into upper track.
5. Push in spring release handle.
6. Push up on metal filter and release handle to latch into place.
7. Repeat steps 1 through 5 for the other filter.
8. Close the stainless steel panel. Engage the (2) pins in the spring catches to secure.

Non-Vented (Recirculating) Installation Filters

The charcoal filter is not washable. It should last up to 6 months with normal use. Replace with Charcoal Filter Kit. See the "Accessories" section for information on ordering.

To replace charcoal filter:

1. Remove metal grease filter from range hood. See "Metal Grease Filter" in this section.
2. Bend spring clips away from metal grease filter.



- Place charcoal filter into top side of metal filter.
- Bend spring clips back into place to secure the charcoal filter to the metal filter.



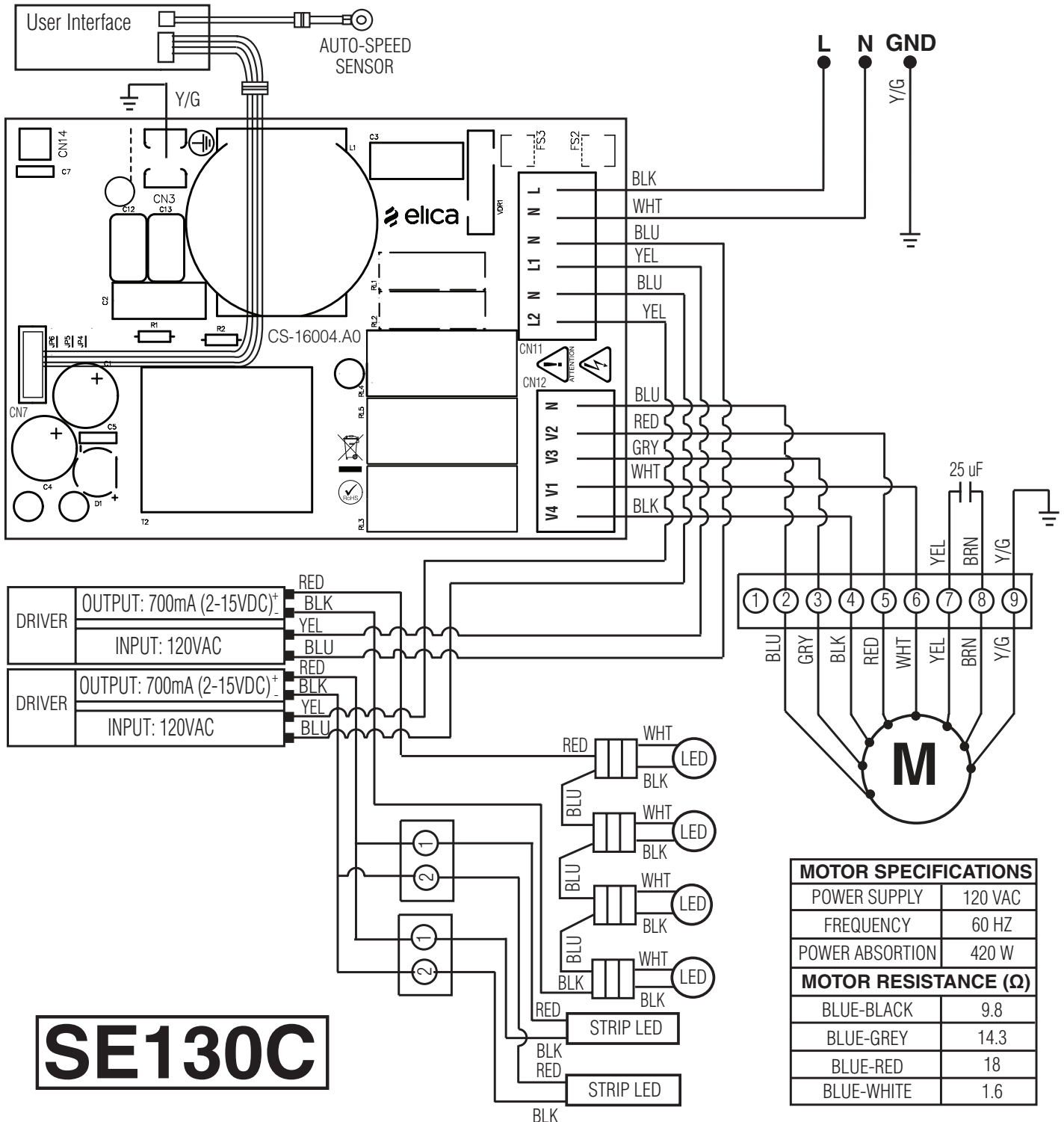
- Replace metal grease filter. See "Metal Grease Filter" in this section.
- Turn the charcoal filter clockwise to lock it.

NOTE: When used in recirculation mode, To Reduce the Risk of Fire and Shock use only conversion kit Model W10692910.
- Repeat steps 1 and 2 on the other filter.

Replacing an LED Lamp

The LED lights are replaceable by a service technician only. See the Warranty for service contact information.

WIRING DIAGRAM



ASSISTANCE OR SERVICE

If you need service

Please refer to the warranty page in this manual.

If you need replacement parts

If you need to order replacement parts, we recommend that you use only factory specified parts. Factory specified parts will fit right and work right because they are made with the same precision used to build every new appliance.

To locate factory specified replacement parts in your area, call the following customer assistance telephone number or your nearest designated service center.

In the U.S.A.

Call JennAir Customer eXperience Center toll free: **1-800-JENNAIR (1-800-536-6247)** or visit our website at **www.jennair.com**.

Our consultants provide assistance with:

- Scheduling of service. JennAir® appliances designated service technicians are trained to fulfill the product warranty and provide after-warranty service anywhere in the United States.
- Features and specifications on our full line of appliances.
- Referrals to local JennAir® appliance dealers.
- Installation information.
- Use and maintenance procedures.
- Accessory and repair parts sales.
- Specialized customer assistance (Spanish speaking, hearing impaired, limited vision, etc.).

For further assistance

If you need further assistance, you can write to JennAir® Appliances with any questions or concerns at:

JennAir Brand Home Appliances
Customer eXperience Center
553 Benson Road
Benton Harbor, MI 49022-2692

Please include a daytime phone number in your correspondence.

In Canada

Call the Whirlpool Canada LP Customer eXperience Centre toll free at **1-800-JENNAIR (1-800-536-6247)** or visit our website at **www.jennair.ca**.

Our consultants provide assistance with:

- Scheduling of service. JennAir® appliances designated service technicians are trained to fulfill the product warranty and provide after-warranty service anywhere in the Canada.
- Features and specifications on our full line of appliances.
- Referrals to local JennAir® appliance dealers.
- Installation information.
- Use and maintenance procedures.
- Accessory and repair parts sales.

For further assistance

If you need further assistance, you can write to JennAir® Appliances with any questions or concerns at:

JennAir Brand Home Appliances
Customer eXperience Centre
200 - 6750 Century Ave.
Mississauga, Ontario L5N 0B7

Please include a daytime phone number in your correspondence.

Accessories

Charcoal Filter Kit

(for non-vented installations only)
Order Part Number W10690910

Recirculation Kit

(for non-vented installations only)
Order Part Number W10692909

Chimney Extension Kit

Order Part Number EXTKIT26FS

6" (15.2 cm) Makeup Air Kit

(consult local building codes)
Order Part Number W10446915

Power Cord Kit

Order Part Number W10613691

In-Line Smart Kit

Order part Number W10692945

SÉCURITÉ DE LA HOTTE DE CUISINIÈRE

Votre sécurité et celle des autres est très importante.

Nous donnons de nombreux messages de sécurité importants dans ce manuel et sur votre appareil ménager. Assurez-vous de toujours lire tous les messages de sécurité et de vous y conformer.



Voici le symbole d'alerte de sécurité.

Ce symbole d'alerte de sécurité vous signale les dangers potentiels de décès et de blessures graves à vous et à d'autres.

Tous les messages de sécurité suivront le symbole d'alerte de sécurité et le mot "DANGER" ou "AVERTISSEMENT". Ces mots signifient :

⚠ DANGER

Risque possible de décès ou de blessure grave si vous ne suivez pas immédiatement les instructions.

⚠ AVERTISSEMENT

Risque possible de décès ou de blessure grave si vous ne suivez pas les instructions.

Tous les messages de sécurité vous diront quel est le danger potentiel et vous disent comment réduire le risque de blessure et ce qui peut se produire en cas de non-respect des instructions.

IMPORTANTES INSTRUCTIONS DE SÉCURITÉ

AVERTISSEMENT : POUR RÉDUIRE LE RISQUE D'INCENDIE, DE DÉCHARGE ÉLECTRIQUE OU DE BLESSURES, RESPECTER LES INSTRUCTIONS SUIVANTES :

- Utiliser cet appareil uniquement selon les modalités d'utilisation prévues par le fabricant. Pour toute question, contacter le fabricant.
- Avant d'entreprendre une opération d'entretien ou de nettoyage sur l'appareil, interrompre l'alimentation de l'appareil au panneau de distribution et verrouiller ce dernier pour empêcher tout rétablissement accidentel de l'alimentation du circuit. Lorsqu'il n'est pas possible de verrouiller le tableau de distribution, placer sur ce dernier une étiquette d'avertissement bien en vue interdisant le rétablissement de l'alimentation.
- Tout travail d'installation ou câblage électrique doit être réalisé par une personne qualifiée, dans le respect des prescriptions de tous les codes et toutes les normes applicables, y compris les codes du bâtiment et de protection contre les incendies.
- Ne pas faire fonctionner un ventilateur dont le cordon ou la fiche est endommagé. Jeter le ventilateur ou le retourner à un centre de service agréé pour examen ou réparation.
- Une source d'air de débit suffisant est nécessaire pour que la combustion et l'évacuation des gaz puissent s'effectuer correctement par la cheminée de l'appareil à gaz, afin d'éviter tout reflux des gaz de combustion. Respecter les directives du fabricant de l'équipement de chauffage et les prescriptions des normes de sécurité – comme celles publiées par la National Fire Protection Association (NFPA) et l'American Society for Heating, Refrigeration and Air Conditioning Engineers (ASHRAE), ainsi que les prescriptions des autorités réglementaires locales.
- Lors des opérations de découpage et de perçage dans un mur ou un plafond, ne pas endommager les câblages électriques et les canalisations qui peuvent s'y trouver.
- Les ventilateurs d'évacuation doivent toujours décharger l'air vers l'extérieur.

MISE EN GARDE : Cet appareil est conçu uniquement pour la ventilation générale. Ne pas l'utiliser pour l'extraction de matières ou vapeurs dangereuses ou explosives.

MISE EN GARDE : Pour réduire le risque d'incendie et évacuer adéquatement les gaz, acheminer l'air aspiré par un conduit jusqu'à l'extérieur – ne pas décharger l'air aspiré dans un espace vide du bâtiment comme une cavité murale, un plafond, un grenier, un vide sanitaire ou un garage.

AVERTISSEMENT : POUR RÉDUIRE LE RISQUE D'INCENDIE, UTILISER UNIQUEMENT DES CONDUITS MÉTALLIQUES.

AVERTISSEMENT : POUR RÉDUIRE LE RISQUE D'UN FEU DE GRAISSE SUR LA CUISINIÈRE :

- Ne jamais laisser un élément de surface fonctionner à puissance maximale sans surveillance. Un renversement/débordement de matière grasseuse peut provoquer des flammes et générer de la fumée. Chauffer l'huile à une puissance moyenne ou basse.
- Veiller à toujours faire fonctionner le ventilateur de la hotte lors de la cuisson avec une puissance élevée ou lors de la cuisson d'un mets à flamber (à savoir crêpes Suzette, cerises jubiléées, steak au poivre flambé).
- Nettoyer fréquemment le ventilateur d'extraction. Veiller à ne pas laisser la graisse s'accumuler sur les surfaces du ventilateur ou des filtres.
- Utiliser toujours un ustensile de taille appropriée. Utiliser toujours un ustensile adapté à la taille de l'élément chauffant.

AVERTISSEMENT : POUR RÉDUIRE LE RISQUE DE BLESSURES APRÈS LE DÉCLENCHEMENT D'UN FEU DE GRAISSE SUR LA CUISINIÈRE, RESPECTER LES RECOMMANDATIONS SUIVANTES^a:

- Placer sur le récipient un couvercle bien ajusté, une tôle à biscuits ou un plateau métallique **POUR ÉTOUFFER LES FLAMMES**, puis éteindre le brûleur. **VEILLER À ÉVITER LES BRÛLURES**. Si les flammes ne s'éteignent pas immédiatement, **ÉVACUER LA PIÈCE ET APPELER LES POMPIERS**.
- **NE JAMAIS PRENDRE EN MAIN UN RÉCIPIENT ENFLAMMÉ** – Vous risquez de vous brûler.
- **NE PAS UTILISER D'EAU** ni de torchon humide – ceci pourrait provoquer une explosion de vapeur brûlante.
- Utiliser un extincteur **SEULEMENT** si :
 - Il s'agit d'un extincteur de classe ABC, dont on connaît le fonctionnement.
 - Il s'agit d'un petit feu encore limité à l'endroit où il s'est déclaré.
 - Les pompiers ont été contactés.
 - Il est possible de garder le dos orienté vers une sortie pendant l'opération de lutte contre le feu.

^aRecommandations tirées des conseils de sécurité en cas d'incendie de cuisine publiés par la NFPA.

- **AVERTISSEMENT :** Pour réduire le risque d'incendie ou de décharge électrique, ne pas utiliser ce ventilateur avec un dispositif de réglage de la vitesse à semi-conducteurs.
- Cet appareil ne convient pas à une utilisation par des personnes (y compris des enfants) dont les capacités physiques, sensorielles ou mentales sont différentes ou réduites ou qui ne possèdent pas l'expérience, les connaissances ou l'expertise nécessaire, à moins d'être supervisées ou d'avoir reçu des instructions concernant l'utilisation par une personne responsable de leur sécurité.

LIRE ET CONSERVER CES INSTRUCTIONS

EXIGENCES D'INSTALLATION

Outils et pièces

Rassembler les outils et pièces nécessaires avant d'entreprendre l'installation. Lire et observer les instructions fournies avec chacun des outils de la liste ci-dessous.

Outils nécessaires

- Niveau
- Perceuse avec forets de 1/4" (3 cm), 3/8" (9,5 mm), 7/64" (2,75 mm) et forets de 1/8" (3 mm)
- Forets à avant-trou (selon la méthode de fixation du support de cheminée)
- Crayon
- Pince à dénuder ou couteau utilitaire
- Mètre-ruban ou règle
- Pince
- Pistolet à calfeutrage et composé de calfeutrage résistant aux intempéries
- Brides de conduit
- Scie sauteuse ou scie à guichet
- Tournevis à lame plate
- Cisaille de ferblantier
- Tournevis Phillips

Pièces nécessaires

- Câble d'alimentation électrique du domicile
- Serre-câbles de 1/2" (12,7 mm) (homologation UL ou CSA) (2)
- Connecteurs de fils homologués UL (3)

Pour les installations avec décharge à l'extérieur, il vous faudra aussi :

- Bouche de décharge (décharge à travers le mur ou à travers le toit)
- Circuit d'évacuation métallique

Pour les installations sans décharge à l'extérieur (recyclage), il faudra aussi :

- Ensemble de recyclage, pour les installations sans décharge à l'extérieur (recyclage) uniquement. Voir la section "Assistance ou service" pour commander.
- Conduit métallique dia. 6" (15,2 cm). La longueur nécessaire est fonction de la hauteur sous plafond.

Pièces fournies

Retirer les pièces de leur emballage. Vérifier que toutes les pièces sont présentes.

- Auvent de hotte avec ventilateur et lampes DEL installés
- Filtre—installé sur la hotte
- Vis de nivellement (2)
- Écrous (2)
- Vis de 4,2 x 8mm (60)
- Vis de 5 x 45 mm (4)
- Gabarit de montage
- Cache-conduits – section supérieure (2)
- Cache-conduits – section inférieure (2)
- Raccord de transition avec clapet anti-reflux installé
- Vis de montage de 3,5 x 9,5 mm (2)
- Attaches de conduit en plastique (4)
- Bride de support horizontal supérieur
- Support horizontal
- Supports verticaux (8)
- Vis de 3,5 x 6,5 mm (4)

- Vis de 2,9 x 3 mm (2)
- Adaptateur Torx®† T10®
- Adaptateur Torx® T20®

Exigences d'emplacement

IMPORTANT : Observer les dispositions de tous les codes et règlements en vigueur.

Confier l'installation de la hotte à un technicien qualifié. C'est à l'installateur qu'incombe la responsabilité de respecter les distances de séparation exigées, spécifiées sur la plaque signalétique de l'appareil. La plaque signalétique de l'appareil est située derrière le filtre de gauche, sur la paroi arrière de la hotte.

On doit toujours installer la hotte à distance des sources de courant d'air (fenêtres, portes et bouches de chauffage).

Respecter les dimensions indiquées pour les ouvertures à découper dans les placards; ces dimensions tiennent compte des valeurs minimales des dégagements de séparation.

On doit disposer d'une prise de courant électrique reliée à la terre. Voir la section "Spécifications électriques".

Du fait du poids et de la taille de cette hotte d'extraction en îlot, il faut que le support de cheminée soit solidement fixé au plafond.

- Pour un plafond en plâtre ou en panneaux de gypse, le support de cheminée doit être fixé aux solives. Si ceci n'est pas possible, on doit construire une structure de support appropriée derrière le plafond en plâtre ou panneaux de gypse. La structure de support doit être capable de soutenir une charge de 100 lb. (45,4 kg).

Il est recommandé d'utiliser cette hotte avec une table de cuisson dont la puissance totale ne dépasse pas 78 000 BTU.

Cette hotte a été configurée à l'usine pour une décharge à travers le toit.

Pour une installation sans décharge à l'extérieur (recyclage), voir "Installations sans décharge à l'extérieur (recyclage)" à la section "Assemblage et installation de la hotte". L'ensemble de recyclage est disponible chez votre marchand ou chez un distributeur de pièces autorisé.

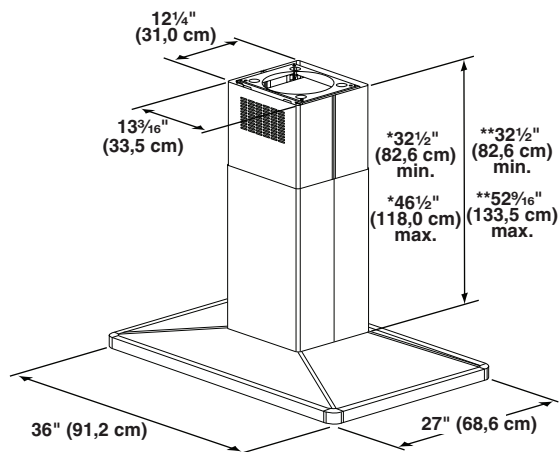
Assurer l'étanchéité au niveau de chaque ouverture découpée dans le plafond ou le mur pour l'installation de la hotte de cuisinière.

Installation dans une résidence mobile

L'installation de cette hotte doit satisfaire aux exigences de la norme Manufactured Home Construction Safety Standards, Titre 24 CFR, partie 328 (anciennement Federal Standard for Mobile Home Construction and Safety, titre 24, HUD, partie 280); lorsque cette norme n'est pas applicable, l'installation doit satisfaire aux critères de la plus récente édition de la norme Manufactured Home Installation 1982 (Manufactured Home Sites, Communities and Setups) ANSI A225.1/NFPA 501A, ou des codes et règlements locaux applicables.

†®TORX, T10 et T20 sont des marques déposées de Acument Intellectual Properties, LLC.

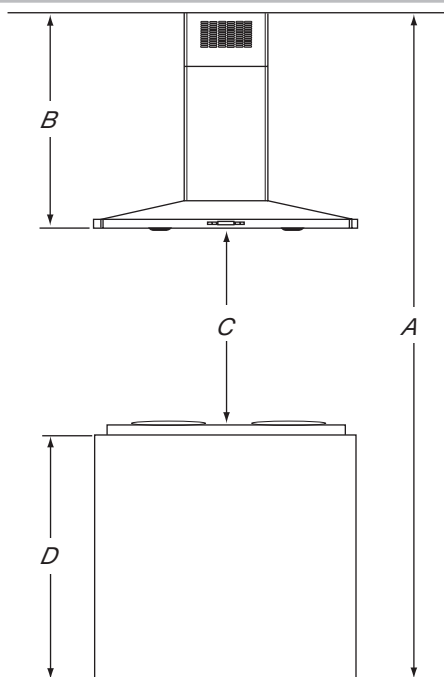
Dimensions du produit



*Installations avec décharge à l'extérieur uniquement

**Installation sans décharge à l'extérieur (recyclage) uniquement

Dimensions d'installation



- A. Hauteur sous plafond
 B. Hauteur sous hotte entre le plafond et le bas de la hotte : $A - C - D = B$
 C. Hauteur sous hotte suggérée de 24" (61 cm) minimum à 36" (91,4 cm) maximum.
 D. Hauteur de plan de travail

IMPORTANT :

Valeur minimale de la distance "C" : 24" (61 cm) à partir de la surface de cuisson électrique.

Valeur minimale de la distance "C" : 27" (68,6 cm) à partir de la surface de cuisson au gaz.

Valeur maximale suggérée pour la distance "C" : 36" (91,4 cm)

Les cache-conduits peuvent être adaptés à différentes hauteurs de plafond. Voir le tableau suivant.

Installations avec décharge à l'extérieur

	Hauteur min. sous plafond	Hauteur max. sous plafond
Surface de cuisson électrique	7' 9" (2,36 m)	9' 10" (3,0 m)
Surface de cuisson au gaz	8' (2,44 m)	9' 10" (3,0 m)

Installations sans décharge à l'extérieur (recyclage)

	Hauteur min. sous plafond	Hauteur max. sous plafond
Surface de cuisson électrique	7' 9" (2,36 m)	10' 4" (3,15 m)
Surface de cuisson au gaz	8' (2,44 m)	10' 4" (3,15 m)

***REMARQUE :** Les cache-conduits de la hotte sont réglables; on peut les ajuster en fonction de la hauteur disponible sous plafond ou soffite, et selon la distance "C" entre le bas de la hotte et la surface de cuisson. Pour des hauteurs sous plafond plus élevées, un ensemble d'extension de cache-conduit en acier inoxydable est disponible chez votre marchand ou chez un distributeur de pièces autorisé. L'extension de cache-conduit remplace la section supérieure de cache-conduit fournie avec la hotte..

Exigences concernant l'évacuation

- Le système d'évacuation doit décharger l'air à l'extérieur, excepté pour les installations sans décharge à l'extérieur (recyclage).
- Ne pas terminer le conduit d'évacuation dans un grenier ou dans un autre espace fermé.
- Ne pas utiliser une bouche de décharge murale de 4" (10,2 cm) normalement utilisée pour un équipement de buanderie.
- Utiliser un conduit métallique uniquement. Un conduit en métal rigide est recommandé. Ne pas utiliser de conduit de plastique ou d'aluminium.
- Le système d'évacuation doit comporter un clapet. Si la bouche de décharge murale ou par le toit comporte un clapet, ne pas utiliser le clapet fourni avec la hotte de cuisinière.

Pour un fonctionnement efficace et silencieux :

- Utiliser autant que possible des sections droites et minimiser le nombre de coudes.
- Ne pas utiliser plus de trois coudes à 90°.
- Veiller à ce qu'il y ait une section droite de conduit de 24" (61 cm) ou plus entre deux coudes, si on doit utiliser plus d'un raccord coudé.
- Ne pas installer 2 coudes ensemble.
- Au niveau de chaque jointure du conduit de décharge, assurer l'étanchéité avec les brides de serrage pour conduit.
- Autour de la bouche de décharge à l'extérieur par le toit ou par un mur, assurer l'étanchéité avec un produit de calfeutrage.
- La taille du conduit doit être uniforme.

Installations dans une région à climat froid

Dans le circuit d'évacuation, on devrait installer un clapet antireflux additionnel pour minimiser le reflux d'air froid, ainsi qu'un élément d'isolation thermique pour minimiser le transfert de chaleur par conduction vers l'extérieur. Le clapet anti-reflux doit être placé du côté air froid par rapport à l'élément d'isolation thermique.

L'élément d'isolation thermique doit être aussi proche que possible de l'endroit où le système d'évacuation s'introduit dans la partie chauffée de la maison.

Air d'appoint

Le code du bâtiment local peut exiger l'emploi d'un système de renouvellement de l'air/introduction d'air d'appoint, lors de l'utilisation d'un système d'aspiration de débit supérieur à une valeur (pieds cubes par minute) spécifiée. Le débit spécifié, en pieds cubes par minute, est variable d'une juridiction à une autre. Consulter un professionnel des installations de chauffage ventilation/climatisation au sujet des exigences spécifiques applicables dans la juridiction locale.

Méthodes d'évacuation

Cette hotte a été configurée à l'usine pour la décharge à travers le toit.

Un circuit d'évacuation en conduit rond de 6" (15,2 cm) est nécessaire pour l'installation (non fourni). La hotte comporte une ouverture de sortie de diamètre 6" (15,2 cm).

REMARQUE : On déconseille l'emploi d'un conduit flexible. Un conduit flexible peut causer une rétropression et des turbulences de l'air, ce qui réduit considérablement la performance.

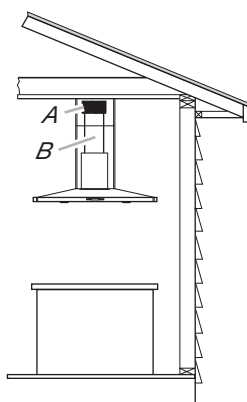
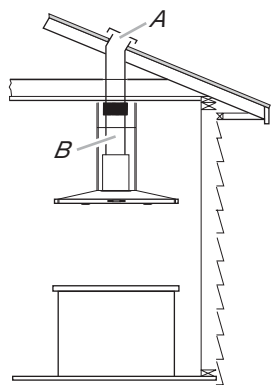
La sortie à l'extérieur du circuit d'évacuation peut se faire à travers le toit ou à travers un mur. Pour la sortie à travers un mur, on doit employer un raccord coudé de 90°.

Installation sans décharge à l'extérieur (recyclage)

S'il n'est pas possible d'évacuer les fumées et vapeurs de cuisson à l'extérieur, on peut employer l'installation sans décharge à l'extérieur (recyclage) de la hotte, dotée d'un filtre à charbon actif et du déflecteur. La fumée et les vapeurs sont alors recyclées par la grille supérieure.

Décharge à travers le toit

Pas de décharge à l'extérieur (recyclage)



A. Bouche de décharge sur toit
B. Conduit rond, dia. 6" (15,2 cm)

A. Déflecteur
B. Conduit rond, dia. 6" (15,2 cm)

REMARQUE : Une décharge murale peut être envisagée pour les maisons à deux étages.

Calcul de la longueur effective du circuit d'évacuation

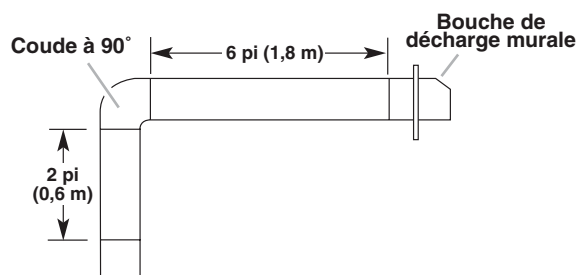
Pour calculer la longueur effective du circuit d'évacuation nécessaire, additionner les longueurs équivalentes (pieds/mètres) de tous les composants utilisés dans le système.

Composant	Conduit rond dia. 6" (15,2 cm)	
Coude à 45°	2,5 pi (0,8 m)	

Coude à 90°	5 pi (1,5 m)	
-------------	--------------	--

La longueur équivalente maximum est de 35 pi (10,7 m).

Exemple de système de décharge



Dans l'exemple suivant, la longueur théorique du circuit est inférieure au maximum de 35 pi (10,7 m).

1 - coude à 90°	= 5 pi (1,5 m)
1 - bouche de décharge murale	= 0 pi (0,0 m)
Section droite de 8 pi (2,4 m)	= 8 pi (2,4 m)
Longueur équivalente totale du circuit	= 13 pi (3,9 m)

Spécifications électriques

Observer les dispositions de tous les codes et règlements en vigueur.

S'assurer que l'installation électrique est correcte et qu'elle satisfait aux exigences de la plus récente édition de la norme National Electrical Code, ANSI/NFPA 70, ou de la norme CSA C22. 1-94, Code canadien de l'électricité, partie 1 et C22.2 n° 0-M91 (dernière édition) et de tous les codes et règlements en vigueur.

Si les codes le permettent et si l'on utilise un conducteur distinct de liaison à la terre, il est recommandé qu'un électricien qualifié vérifie la qualité de la liaison à la terre.

Pour obtenir un exemplaire des normes des codes ci-dessus, contacter :

National Fire Protection Association
1 Batterymarch Park
Quincy, MA 02169-7471
CSA International
8501 East Pleasant Valley Road
Cleveland, OH 44131-5575

- L'appareil doit être alimenté par un circuit de 120 V CA seulement, 60 Hz, 15 ampères, protégé par fusible.

- Si le domicile possède un câblage en aluminium, suivre la procédure ci-dessous :
Connecter le câblage en aluminium en utilisant des connecteurs et/ou des outils spécialement conçus et homologués UL pour fixer le cuivre à l'aluminium.
Suivre la procédure recommandée par le fabricant de connecteurs électriques. Les raccordements aluminium/cuivre doivent satisfaire aux prescriptions des codes locaux et de l'industrie, et être conformes aux pratiques de câblage reconnues.

- Le calibre des conducteurs et les connexions doivent être compatibles avec les caractéristiques électriques de l'appareil spécifiées sur la plaque signalétique. La plaque signalétique de l'appareil est située derrière le filtre gauche, sur la paroi arrière de la hotte.
- Le calibre des conducteurs doit être conforme aux exigences du National Electrical Code, de la plus récente édition de la norme ANSI/NFPA 70 ou des normes CSA C22. 1-94, Code canadien de l'électricité, partie 1 et C22.2 n° 0-M91 (édition la plus récente) et de tous les codes et règlements en vigueur.

INSTRUCTIONS D'INSTALLATION

Préparation de l'emplacement

- Il est recommandé que l'installation du circuit d'évacuation soit réalisée avant celle de la hotte.
 - Avant d'exécuter les découpages, vérifier qu'il existe un dégagement suffisant dans le plafond pour le conduit d'évacuation.
 - La hotte doit être installée à 24" (61 cm) min. des surfaces de cuisson électriques ou 27" (68,6 cm) min. des surfaces de cuisson au gaz, et à un maximum suggéré de 36" (91,2 cm) au-dessus de la surface de cuisson.
 - Avant de sélectionner la hotte à installer, mesurer la hauteur libre sous plafond et la hauteur maximum disponible sous la hotte.
1. Déconnecter la source de courant électrique.
 2. Déterminer la méthode d'évacuation à utiliser : décharge à travers le toit, ou recyclage.
 3. Sélectionner une surface plane pour l'assemblage de la hotte. Placer le matériau de protection sur cette surface.

AVERTISSEMENT

Risque du poids excessif

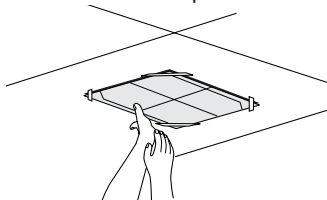
Utiliser deux ou plus de personnes pour déplacer et installer la hotte de la cuisinière.

Le non-respect de cette instruction peut causer une blessure au dos ou d'autre blessure.

4. À l'aide de deux personnes ou plus, soulever la hotte et la poser sur la surface couverte.

Installation des vis de montage de la hotte

1. Déterminer l'emplacement d'installation de la hotte et en marquer l'axe central sur le plafond, en prenant en compte les normes relatives aux structures de soutien des plafonds. Voir la section "Exigences d'emplacement". S'assurer que la hotte est bien centrée par-dessus la surface de cuisson.
2. Fixer le gabarit au plafond avec du ruban adhésif au niveau de l'axe central. Le bord avant de la hotte de cuisinière doit être parallèle au bord avant du plan de travail.



3. À l'aide d'un crayon, marquer au plafond l'emplacement des vis de montage, du point d'accès au câblage et du trou de passage du conduit.

REMARQUE : Le montage de l'emplacement des trous doit se faire dans une structure de soutien du plafond capable de soutenir une charge de 100 lb (45,4 kg).

Retirer le gabarit.

4. Percer 4 avant-trous de 3/16" (4,8 mm) pour le montage du support horizontal supérieur.

Terminer la préparation

1. Déterminer l'emplacement nécessaire pour le câble d'alimentation du domicile et percer un trou de 1/2" (1,3 cm) pour l'accès au câblage.
2. Acheminer le câble d'alimentation du domicile selon les prescriptions du Code national de l'électricité, des normes CSA ou des codes et règlements locaux. Il faut que la longueur du conduit de 1/2" (1,3 cm) et des conducteurs soit suffisante depuis le tableau de distribution (avec fusibles ou disjoncteurs) pour réaliser le raccordement dans le boîtier de connexion de la hotte.
REMARQUE : Ne pas mettre le système sous tension avant d'avoir complètement terminé l'installation.
3. **Pour installations avec décharge à l'extérieur uniquement :** l'aide d'une scie sauteuse ou scie à guichet, découper un trou de 6 1/2" (16,5 cm) de diamètre pour le conduit d'évacuation.

Installation de l'ensemble de ventilateur déporté intelligent en option

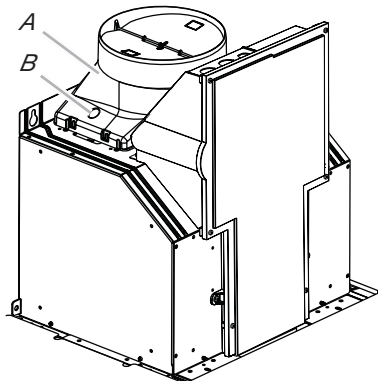
REMARQUE : La hotte peut fonctionner avec un moteur de ventilateur intégré ou externe (déporté). Un ensemble de ventilateur déporté intelligent en option (à acheter séparément) permet d'installer le moteur du ventilateur de la hotte ailleurs qu'à l'intérieur de la hotte.

MISE EN GARDE : Afin de réduire le risque d'incendie et de choc électrique, installer cette hotte de cuisinière uniquement avec l'ensemble de ventilateur déporté intelligent fabriqué par Whirlpool.

Pour l'installer, consulter les instructions d'installation de l'ensemble de ventilateur déporté intelligent. Voir la section "Assistance ou service" pour commander.

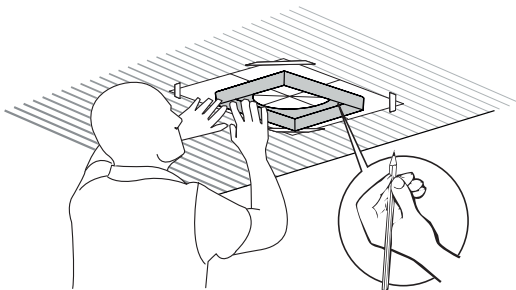
Assemblage et installation de la hotte

1. Installer le raccord de transition au sommet de la hotte (s'il a été enlevé pour expédition), avec 2 vis de tôlerie de 3,5 x 9,5 mm.

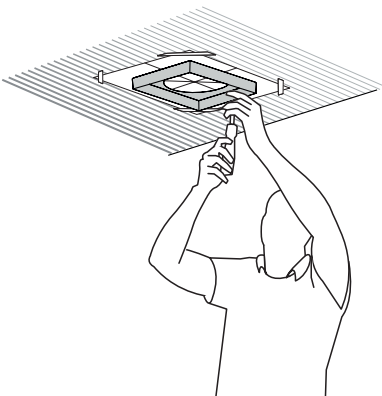


A. Raccord de transition
B. Vis de 3,5 x 9,5 mm

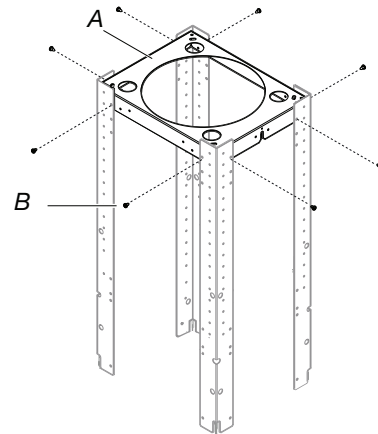
2. Marquer à l'aide d'un crayon les emplacements des trous pour les vis en tenant compte du conduit au plafond.



3. Fixer le support horizontal supérieur au moyen de 4 vis à bois.

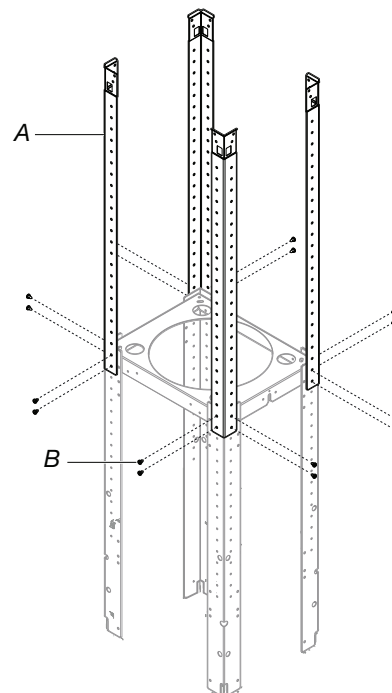


4. Installer le support horizontal inférieur au moyen de 8 vis de 4,2x8 mm.



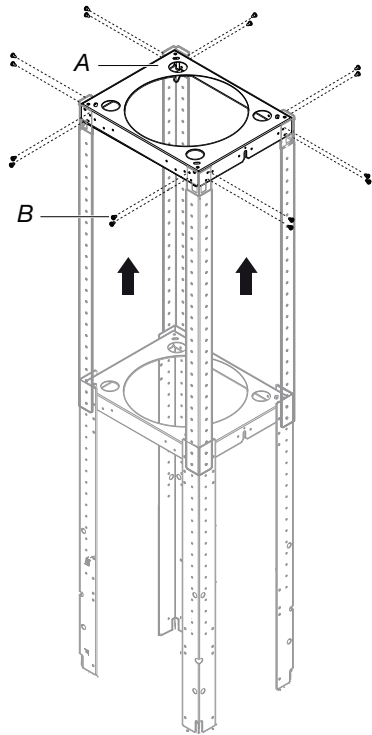
A. Support horizontal inférieur
B. 8 vis de 4,2 x 8 mm

5. Installer les 4 supports verticaux supérieurs au moyen de 16 vis de 4.2x8 mm.



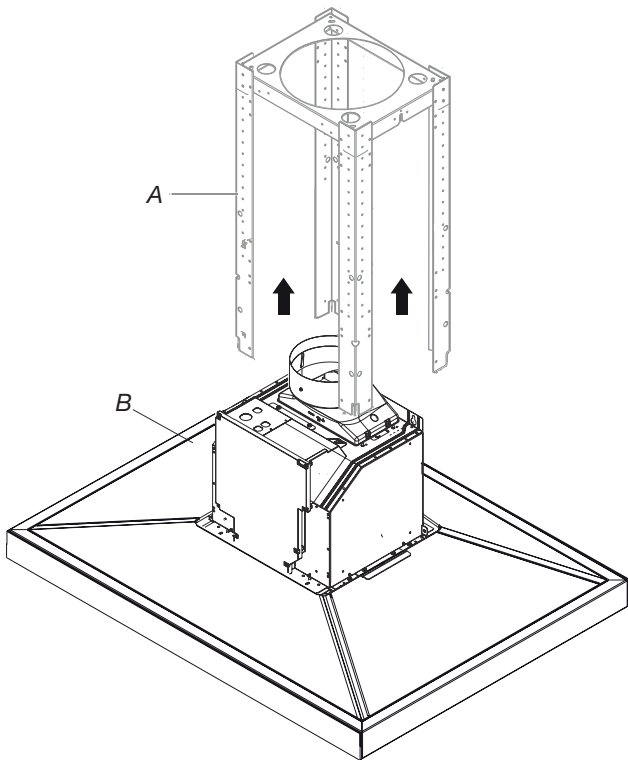
A. 4 supports verticaux supérieurs
B. 16 vis de 4,2 x 8 mm

6. Installer la structure au support horizontal supérieur au moyen de 16 vis de 4,2 x 8 mm.



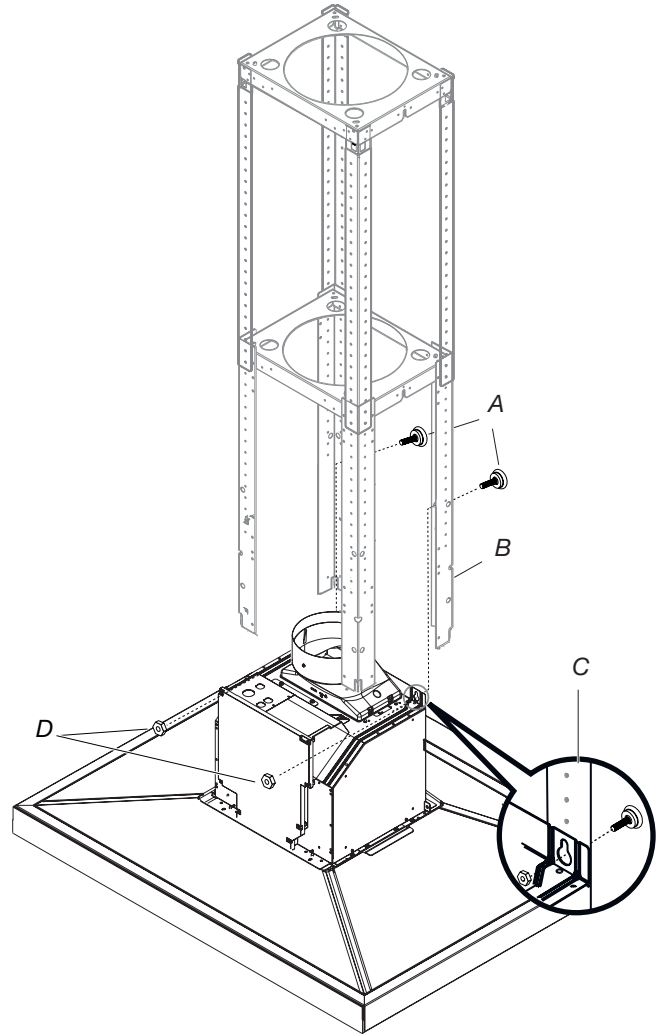
A. Support horizontal supérieur
B. 16 vis de 4,2 x 8 mm

7. À l'aide d'au moins deux personnes, soulever l'ensemble de hotte sous la structure.



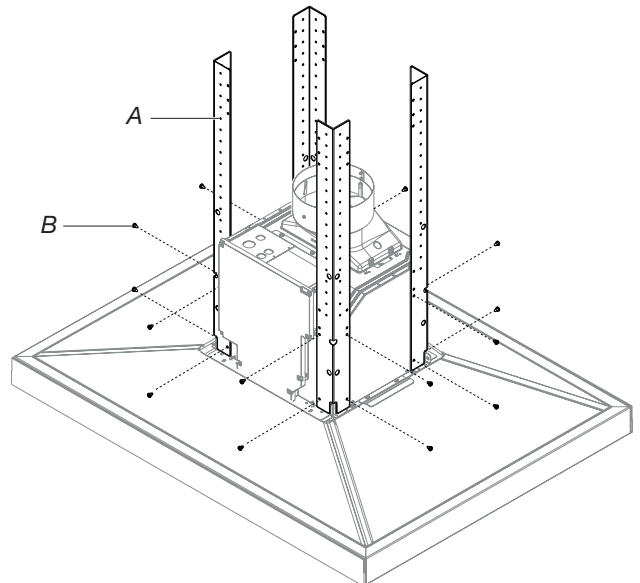
A. Supports verticaux inférieurs
B. Ensemble de hotte

8. Fixer l'ensemble de hotte aux supports verticaux inférieurs au moyen de 2 vis de réglage et 2 écrous.



A. 2 vis de réglage
B. Support verticaux inférieur
C. Placer les vis de réglage dans la structure
D. Écrou

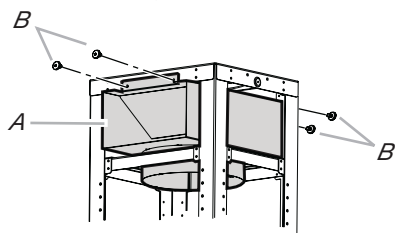
9. Installer les 4 supports verticaux inférieurs au moyen de 16 vis de 4,2 x 8 mm. S'assurer que toutes les vis sont solidement serrées.



A. 4 supports verticaux inférieurs
B. 16 vis de 4,2 x 8 mm

Installation sans décharge à l'extérieur (recyclage)

1. Fixer le déflecteur d'air au support horizontal supérieur à l'aide de 4 vis de montage.



A. Déflecteur
B. Vis de montage

2. Mesurer la longueur de conduit d'évacuation de 6" (15,2 cm) nécessaire pour le raccordement entre le raccord de transition et le déflecteur.

REMARQUE : Le conduit devrait être inséré d'au moins 1" (2,5 cm) à l'intérieur du déflecteur.

3. Installer le conduit, d'évacuation entre le raccord de transition et le déflecteur.

REMARQUE: Pour faciliter du conduit, retirer temporairement le déflecteur de la bride de support de cache-conduit et le réinstaller une fois la section de conduit en place.

4. Utiliser des brides de conduit pour assurer l'étanchéité de toutes les connexions.

Raccordement électrique

⚠ AVERTISSEMENT



Risque de choc électrique

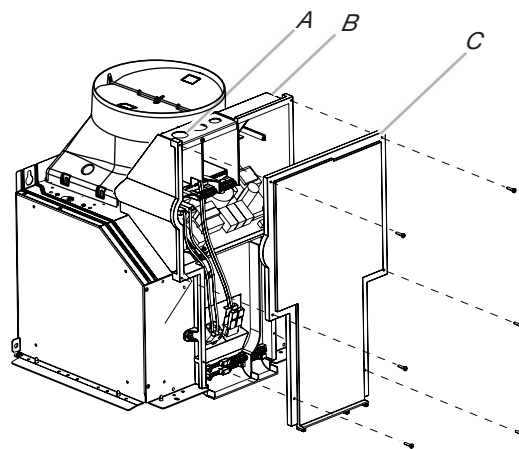
Déconnecter la source de courant électrique avant l'entretien.

Replacer pièces et panneaux avant de faire la remise en marche.

Le non-respect de ces instructions peut causer un décès ou un choc électrique.

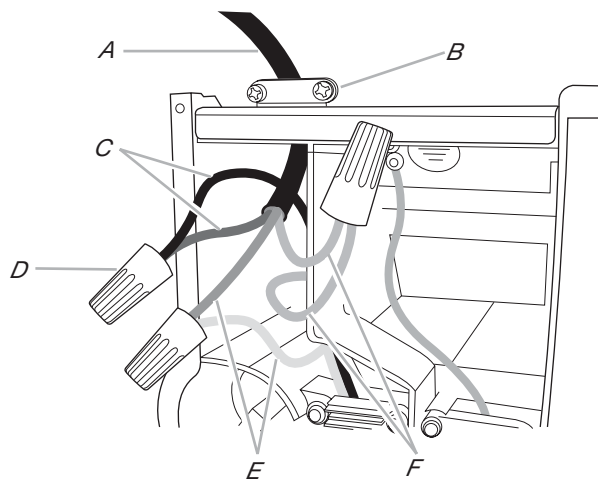
1. Déconnecter la source de courant électrique.
2. Retirer le couvercle du boîtier de connexion.

3. Ôter l'opercule arrachable du boîtier de connexion et installer un serre-câble de 1/2" (12,7 mm) (homologation UL ou CSA).



A. Opercule
B. Boîtier de connexion
C. Couvercle du boîtier de connexion

4. Acheminer le cordon d'alimentation du domicile à travers le serre-câble et ensuite dans le boîtier de connexion.



A. Câble d'alimentation électrique du domicile
B. Serre-câble (homologation UL ou CSA)
C. Conducteurs noirs
D. Connecteurs de fils (homologation UL)
E. Connecteurs blancs
F. Conducteurs vert (ou nu) et jaune-vert de liaison à la terre

5. Connecter ensemble les conducteurs noirs (C) à l'aide de connecteurs de fils (homologation UL).
6. Connecter ensemble les conducteurs blancs (E) à l'aide de connecteurs de fils (homologation UL).

⚠ AVERTISSEMENT



Risque de choc électrique

Relier le ventilateur à la terre.

Brancher le fil relié à la terre au fil vert et jaune relié à la terre dans la boîte de la borne.

Le non-respect de ces instructions peut causer un décès ou un choc électrique.

7. À l'aide des connecteurs de fils (homologation UL), connecter le conducteur de liaison à la terre (vert ou nu) du câble d'alimentation du domicile au conducteur jaune-vert de liaison à la terre (F) dans le boîtier de connexion.
8. Serrer la vis du serre-câble.
9. Installer le couvercle du boîtier de connexion.
10. Vérifier que chaque ampoule est bien insérée dans sa douille.
11. Reconnecter la source de courant électrique.

Installations avec l'ensemble du cordon d'alimentation en option

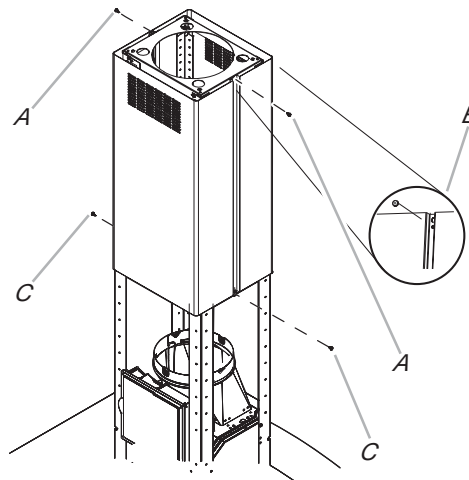
Pour les installations avec l'ensemble du cordon d'alimentation facultatif, suivre les instructions fournies avec l'ensemble du cordon d'alimentation. Voir la section "Assistance ou service" pour plus d'informations sur le processus de commande.

REMARQUE : Utiliser uniquement avec des nécessaires de raccordement du cordon d'alimentation de la hotte de cuisinière dont l'utilisation a été testée et déclarée adéquate pour ce modèle de hotte de cuisinière.

Installation des cache-conduits

REMARQUE : Enlever la pellicule des cache-conduits.

1. Assembler les parties supérieures des cache-conduits ensemble et installer les cache-conduits autour du cadre de support. Le trou le plus gros sur les rebords de la partie supérieure du cache-conduit doit se trouver à l'extérieur du trou le plus petit sur le rebord en contact de l'autre partie supérieure du cache-conduit.
2. Fixer ensemble la partie supérieure des cache-conduits avec 2 vis de 3,5 x 6,5 mm sur le haut et 2 vis de 2,9 x 3 mm sur le bas. Installer 1 vis de chaque côté du haut et du bas des cache-conduits assemblés.

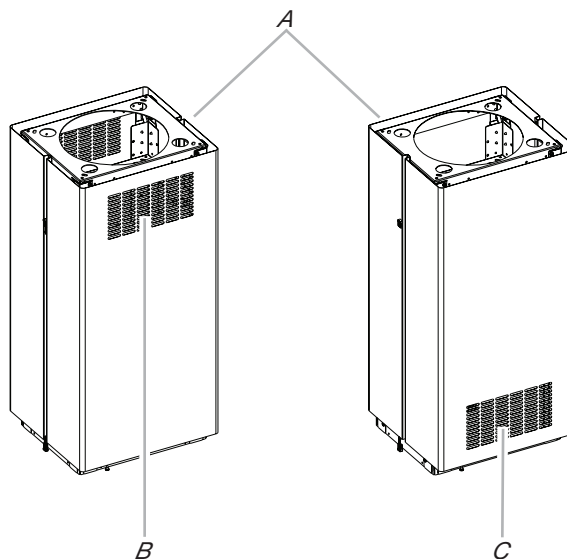


A. Vis de 3,5 x 6,5 mm (2)

B. Trous des assemblages (le trou le plus gros à l'extérieur du trou le plus petit des deux côtés)

C. Vis de 2,9 x 3 mm (2)

REMARQUE : Pour une installation sans décharge à l'extérieur (recyclage), les fentes de la partie supérieure des cache-conduits seront visibles une fois ceux-ci assemblés. Pour les installations avec décharge à l'extérieur, les fentes de la partie supérieure des cache-conduits seront dissimulées par la partie inférieure.

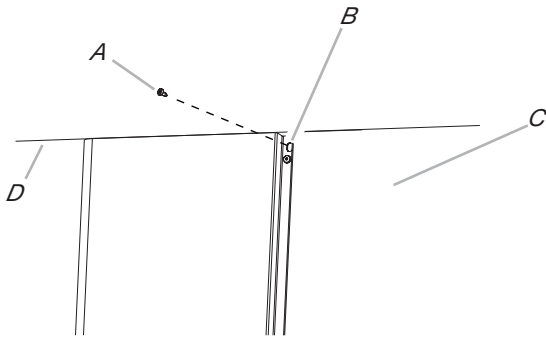


A. Partie supérieure orientée vers le plafond

B. Fentes installées vers le haut pour installations sans décharge à l'extérieur

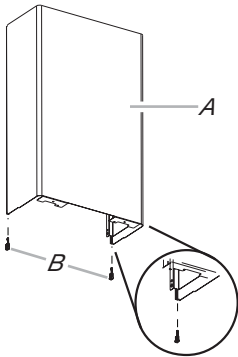
C. Fentes installées vers le bas pour installations avec décharge à l'extérieur

3. Faire glisser la partie supérieure des cache-conduits en haut du cadre vers le plafond et les fixer au support horizontal supérieur à l'aide de 2 vis de 3,5 x 6,5 mm.



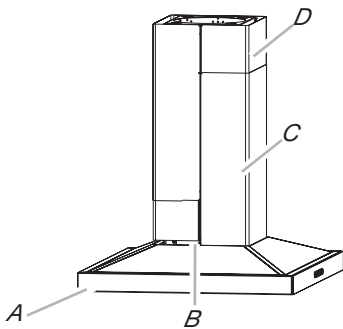
A. Vis de 3,5 x 6,5 mm
B. Fentes (2)
C. Partie supérieure des cache-conduits
D. Plafond

4. Placer l'extrémité longue des chevilles en plastique (2) au bas de la partie inférieure avant du cache-conduit.



A. Partie inférieure du cache-conduit (avant)
B. Chevilles en plastique (2) (extrémité longue pour placement à l'avant)

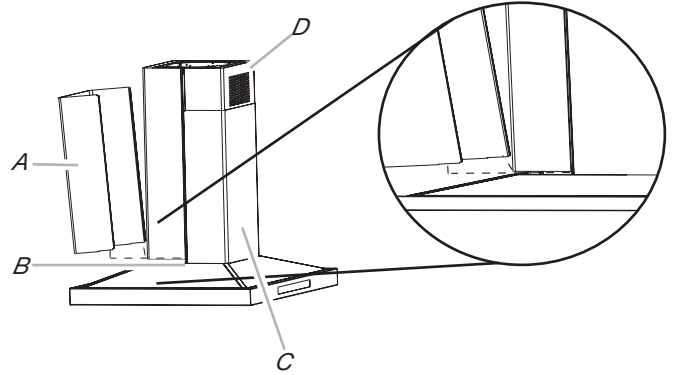
5. Installer la partie inférieure du cache-conduit (avant) à l'avent de la hotte de cuisinière. Écarter la partie inférieure du cache-conduit en l'ouvrant légèrement et la positionner sur la partie supérieure du cache-conduit. Mettre en place la partie inférieure du cache-conduit. Positionner de façon à ce que les rebords de la partie inférieure du cache-conduit se placent dans les rebords de la partie supérieure des cache-conduits.



A. Avent de la hotte de cuisinière
B. Chevilles en plastique
C. Partie inférieure des cache-conduits
D. Partie supérieure des cache-conduits

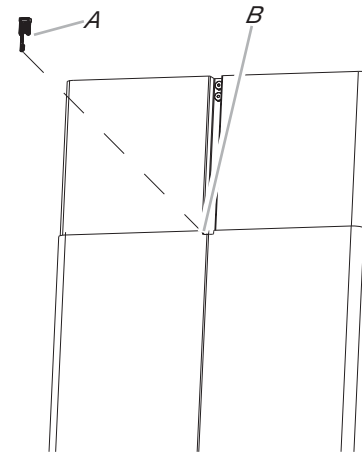
6. Installer la partie inférieure du cache-conduit (arrière) à l'avent de la hotte de cuisinière. Écarter la partie inférieure du cache-conduit en l'ouvrant légèrement et la positionner sur la partie supérieure du cache-conduit. Mettre en place la partie inférieure du cache-conduit. Positionner de façon à ce que les rebords de la partie inférieure du cache-conduit se placent dans les rebords de la partie supérieure du cache-conduit. S'assurer que les parties inférieures avant et arrière des cache-conduits communiquent correctement.

REMARQUE : Lors de l'assemblage de la partie inférieure arrière du cache-conduit à la partie inférieure avant, le rebord (des deux côtés) doit être placé par-dessus la cheville en plastique afin de fixer ensemble la partie inférieure des cache-conduits à la base.



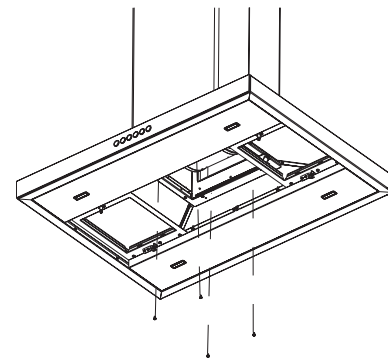
A. Partie inférieure du cache-conduit (arrière)
B. Chevilles en plastique
C. Partie inférieure des cache-conduits
D. Partie supérieure des cache-conduits

7. Fixer ensemble les parties inférieures des cache-conduits sur le sommet à l'aide de 2 chevilles en plastique. Utiliser une cheville de chaque côté.



A. Chevilles en plastique (2)
B. Emplacement de la cheville supérieure de la partie inférieure des cache-conduits

8. Fixer la partie inférieure du cache-conduit à l'avent de la hotte de cuisinière en utilisant 4 vis de 4,2 x 8 mm.



Achever l'installation

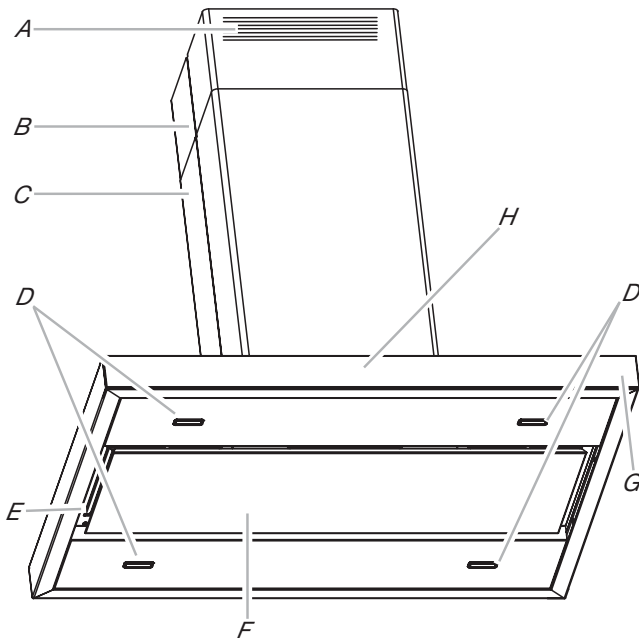
1. Pour les installations sans décharge à l'extérieur (recyclage) uniquement, installer les filtres à charbon par-dessus les filtres métalliques. Voir la section "Entretien de la hotte de cuisinière".
2. Installer les filtres métalliques. Voir la section "Entretien de la hotte de cuisinière".
3. Contrôler le fonctionnement du ventilateur de la hotte et de la lampe. Voir la section "Utilisation de la hotte de cuisinière".
Si la hotte ne fonctionne pas, déterminer si un disjoncteur s'est ouvert ou si un fusible du domicile est grillé.

REMARQUE : Pour pouvoir tirer le plus grand parti de la nouvelle hotte de cuisinière, lire la section "Utilisation de la hotte de cuisinière".

UTILISATION DE LA HOTTE

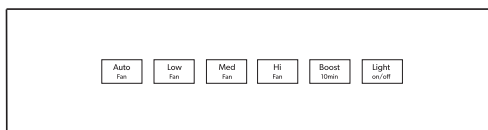
La hotte de cuisinière est conçue pour extraire fumée, vapeurs de cuisson et odeurs de la zone de la table de cuisson. Pour obtenir les meilleurs résultats, mettre la hotte en marche avant d'entreprendre une cuisson, et laisser la hotte fonctionner pendant plusieurs minutes après l'achèvement d'une cuisson pour pouvoir évacuer de la cuisine toute trace d'odeur de cuisson ou fumée.

Les commandes de la hotte de la cuisinière sont situées à l'avant de l'auvent.



- | | |
|---|---|
| A. Ouvertures persiennes (installations sans décharge à l'extérieur [recyclage] uniquement) | D. Lampes DEL (4) |
| B. Partie supérieure des cacheconduits | E. Filtres à graisse en métal (situés derrière le couvercle périmétrique) |
| C. Partie inférieure des cacheconduits | F. Couvercle périmétrique |
| | G. Auvent |
| | H. Tableau de commande |

Tableau de commande



Commandes et caractéristiques

REMARQUES :

- Pour activer les commandes, appuyer brièvement sur le bouton désiré.
- Lorsqu'une caractéristique est enclenchée, le bouton correspondant s'illumine.

Mode veille

Lorsqu'elle n'est pas utilisée, la hotte se met automatiquement en mode veille. Au bout de 10 minutes d'inactivité de la hotte, tous les témoins lumineux des boutons de commande s'éteignent. Pour arrêter le mode de veille, appuyer sur n'importe quel bouton.

Auto Sense (détection automatique)

La fonction Auto Sense (détection automatique) met la hotte en marche automatiquement lorsqu'elle détecte une chaleur supérieure à la limite de température permise. Lorsque la fonction Auto Sense (détection automatique) est activée, la vitesse du ventilateur augmente ou diminue selon la température détectée par Auto Sense.

La fonction Auto Sense peut être augmentée manuellement en sélectionnant une vitesse de ventilateur plus élevée. Le moteur du ventilateur fonctionnera à la vitesse sélectionnée pendant 10 minutes avant de revenir à la vitesse sélectionnée par Auto Sense.

Si la fonction Auto Sense est activée, le témoin lumineux du bouton Auto s'éteint et entre en mode veille lorsque la hotte n'est pas utilisée. Si la hotte est mise en marche par l'utilisateur ou par la fonction Auto Sense (détection automatique), le témoin lumineux du bouton Auto s'allume.

Pour régler la fonction Auto Sense (détection automatique) :

Appuyer sur AUTO.

Pour sélectionner le type de table de cuisson pour la fonction Auto Sense (détection automatique) :

REMARQUE : Cette hotte a été configurée à l'usine pour détecter une table de cuisson à gaz.

Appuyer sur AUTO pendant 5 secondes pour passer du mode table de cuisson à gaz au mode table de cuisson électrique.

Le témoin lumineux du bouton Auto clignote 5 fois lorsque la hotte passe au mode table de cuisson électrique. La fonction Auto Sense est à présent configurée pour les tables de cuisson et les cuisinières électriques.

Le témoin lumineux du bouton Auto clignote 3 fois lorsque la hotte passe au mode table de cuisson à gaz. La fonction Auto Sense est à présent configurée pour les tables de cuisson et les cuisinières à gaz.

Modifier le type de table de cuisson modifie également la limite de température mettant en route la fonction Auto Sense. Lorsque la hotte détecte une température suffisamment élevée, le ventilateur se met en route automatiquement. Lorsque la température descend au-delà de la limite réglée, le ventilateur s'arrête automatiquement. Le témoin lumineux du bouton Auto s'éteint lorsque la hotte entre en mode veille, mais la fonction Auto Sense est toujours active.

Pour désactiver la fonction Auto Sense (détection automatique) :

Si le témoin lumineux du bouton Auto est allumé, appuyer une fois sur AUTO pour désactiver la fonction Auto Sense. Le témoin lumineux du bouton Auto s'éteint.

Si la fonction Auto Sense est en mode veille, appuyer une fois sur AUTO pour désactiver le mode veille, et le bouton Auto s'illumine. Appuyer encore une fois sur AUTO pour désactiver le mode Auto Sense, et le bouton Auto s'éteint.

Le système de déclenchement automatique Auto Sense s'éteint automatiquement après 2 heures d'inactivité. Pour réactiver Auto Sense, appuyer sur AUTO.

Fonctions manuelles de ventilation

Vitesses du ventilateur

Low (basse)	Appuyer sur LOW (basse) pour mettre en marche le ventilateur à vitesse peu élevée.
Med (moyenne)	Appuyer sur MED (moyenne) pour mettre en marche le ventilateur à vitesse moyenne.
Hi (élevée)	Appuyer sur HI (élevée) pour mettre en marche le ventilateur à vitesse élevée.
Boost (niveau optimal)	Appuyer sur BOOST (niveau optimal) pour mettre en marche le ventilateur à vitesse maximale. Le mode Boost s'arrête automatiquement au bout de 10 minutes, et la vitesse du ventilateur se règle sur High (élevée).

Minuterie

La hotte peut être réglée pour s'éteindre automatiquement après 15 minutes.

1. Maintenir appuyé le bouton de la vitesse de ventilateur désirée pendant 2 secondes.

Le moteur du ventilateur fonctionne alors à la vitesse sélectionnée pendant 15 minutes et le témoin lumineux de la vitesse du ventilateur clignote en continu.

Après 15 minutes, le ventilateur s'éteint automatiquement.

2. Lorsque la minuterie du ventilateur est en marche, appuyer encore une fois sur le bouton correspondant à la vitesse de ventilateur désirée pour annuler la minuterie du ventilateur.

REMARQUE : On peut également annuler la minuterie de 15 minutes en modifiant la vitesse du ventilateur ou en mettant en route la fonction Auto Sense (détection automatique).

Éclairage

La hotte est équipée d'un éclairage de travail et d'un éclairage d'ambiance.

Fonctionnement de l'éclairage :

1. Appuyer une fois sur la touche LIGHT (éclairage) pour allumer les DEL de l'éclairage de travail.
2. Appuyer une nouvelle fois sur la touche LIGHT (éclairage) pour éteindre les DEL de l'éclairage de travail. L'éclairage d'ambiance s'illumine.
3. Appuyer sur LIGHT (éclairage) une troisième fois pour éteindre l'éclairage d'ambiance.

REMARQUE : Pour allumer en même temps l'éclairage de travail et l'éclairage d'ambiance, appuyer sur LIGHT (éclairage) pendant 2 secondes. Appuyer une nouvelle fois sur la touche LIGHT (éclairage) pour éteindre l'éclairage de travail et l'éclairage d'ambiance.

ENTRETIEN DE LA HOTTE

Nettoyage

IMPORTANT : Nettoyer fréquemment la hotte et les filtres à graisse en suivant les instructions suivantes. Réinstaller les filtres à graisse avant de faire fonctionner la hotte.

Surfaces externes :

Afin d'éviter d'endommager la surface externe, ne pas utiliser de tampons en laine d'acier ou de tampons à récurer savonneux.

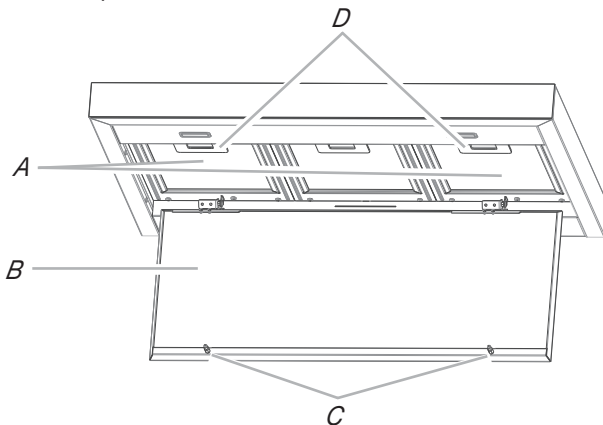
Toujours essuyer pour éviter de laisser des marques d'eau.

Méthode de nettoyage :

- Produit de nettoyage polyvalent.
- Frotter avec un chiffon doux humide ou une éponge non abrasive, puis rincer avec de l'eau propre et essuyer.

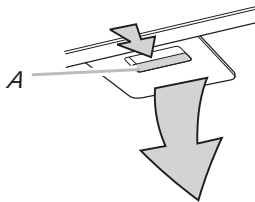
Filtre à graisse métallique

1. Ouvrir le panneau en acier inoxydable. Saisir le panneau par les coins avant et tirer vers le bas pour dégager les 2 pitons de retenue des loquets à ressort. Le panneau est attaché par l'arrière et pivote vers le bas.



- A. Filtres métalliques
- B. Panneau en acier inoxydable
- C. Pitons de retenue (2)
- D. Loquets à ressort (2)

2. Retirer chaque filtre en tirant sur la poignée à ressort, puis en tirant le filtre vers le bas.



A. Poignée à ressort

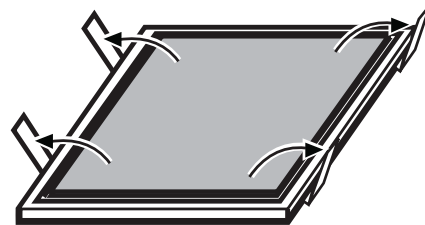
3. Laver les filtres métalliques selon le besoin au lave-vaisselle ou avec une solution de détergent chaude.
4. Réinstaller le filtre en s'assurant que les poignées à ressort sont orientées vers l'avant. Insérer le filtre d'aluminium dans la rainure supérieure.
5. Enfoncer la poignée à ressort.
6. Pousser le filtre métallique vers le haut et relâcher la poignée pour emboîter le loquet.
7. Répéter les étapes 1 à 5 pour l'autre filtre.
8. Fermer le panneau en acier inoxydable. Fixer en engageant les (2) pitons dans les loquets à ressort.

Filtres d'installation sans décharge à l'extérieur (recyclage)

Le filtre à charbon n'est pas lavable. Celui-ci devrait durer jusqu'à 6 mois dans des conditions d'utilisation normales. Remplacer par l'ensemble de filtre à charbon. Voir la section "Accessoires" pour plus d'informations sur le processus de commande.

Remplacement du filtre à charbon :

1. Retirer le filtre à graisse métallique de la hotte. Voir "Filtre à graisse métallique" dans cette section.
2. Déplier les attaches à ressort pour les écarter du filtre à graisse métallique.



3. Placer le filtre à charbon dans la partie supérieure du filtre métallique.
4. Replier les attaches à ressort pour les remettre en place afin de fixer le filtre à charbon au filtre métallique.



5. Réinstaller le filtre à graisse métallique. Voir "Filtre à graisse métallique" dans cette section.
6. Faire pivoter le filtre à charbon dans le sens horaire pour l'emboîter.

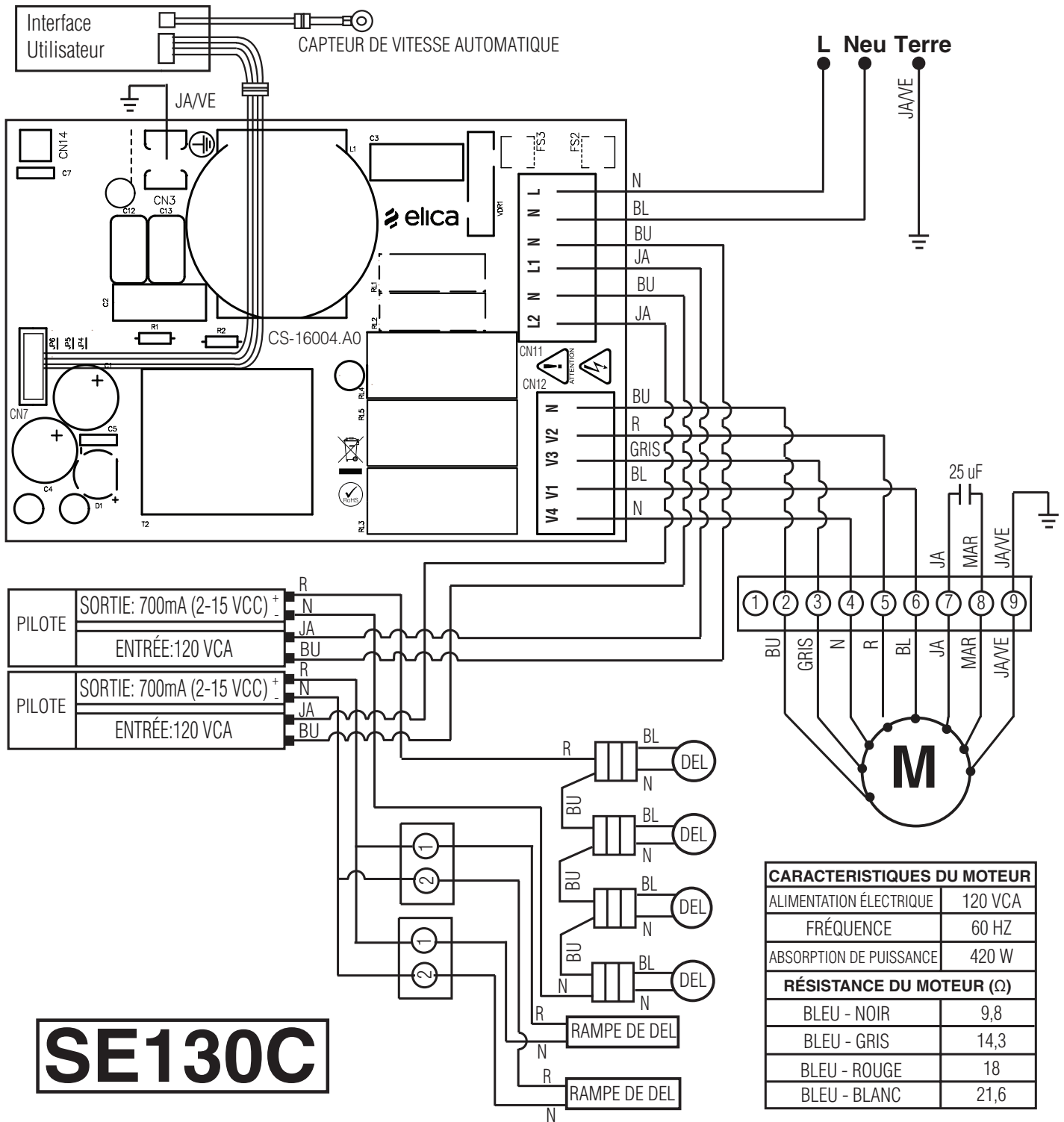
REMARQUE : Lorsqu'utilisé en mode recirculation, pour réduire les risques d'incendie et de décharge électrique, n'utiliser que le modèle d'ensemble de conversion W10692910.

7. Répéter les étapes 1 et 2 pour l'autre filtre.

Remplacement d'une lampe DEL

Les lampes DEL doivent être remplacées par un technicien de service qualifié uniquement. Voir la section "Garantie" pour des renseignements de contact sur le service.

SCHÉMA DE CÂBLAGE



ASSISTANCE OU SERVICE

Si vous avez besoin de service

Consulter la garantie.

Si vous avez besoin de pièces de rechange

Si vous avez besoin de commander des pièces de rechange, nous vous recommandons d'utiliser seulement des pièces spécifiées par l'usine. Les pièces spécifiées par l'usine conviendront et fonctionneront bien car elles sont fabriquées avec la même précision que celles utilisées pour fabriquer chaque nouvel appareil.

Pour localiser des pièces spécifiées par l'usine dans votre région, composer le numéro de téléphone d'aide à la clientèle suivant ou appeler le centre de service désigné le plus proche.

Au Canada

Téléphoner sans frais au Centre pour l'eXpérience de la clientèle Whirlpool Canada LP au **1-800-JENNAIR (1-800-536-6247)** ou visiter notre site Internet sur **www.jennair.ca**.

Nos consultants peuvent vous aider sur les points suivants :

- Appeler pour demander une intervention de dépannage. Les techniciens de service désignés par JennAir® sont formés pour remplir la garantie des produits et fournir un service après la garantie, partout au Canada.
- Caractéristiques et spécifications de notre gamme complète d'appareils ménagers.
- Références aux concessionnaires locaux JennAir®.
- Renseignements pour l'installation.
- Procédés d'utilisation et d'entretien.
- Vente d'accessoires et de pièces de rechange.

Pour de l'aide supplémentaire

Si vous avez besoin d'aide supplémentaire, vous pouvez écrire à JennAir® Appliances en soumettant toute question ou problème à :

JennAir Brand Home Appliances
Customer eXperience Centre
200 - 6750 Century Ave.
Mississauga, Ontario L5N 0B7

Veuillez indiquer dans votre correspondance un numéro de téléphone où l'on peut vous joindre dans la journée.

Accessoires

Ensemble de filtre charbon

(pour installation sans décharge à l'extérieur uniquement)
Commander la pièce n° W10690910

Ensemble de recyclage

(pour installations sans décharge à l'extérieur uniquement)
Commander la pièce n° W10692909

Ensemble d'extension de cheminée

Commander la pièce n° EXTKIT26FS

Ensemble d'air d'appoint de 6" (15,2 cm)

(consulter le code du bâtiment local)
Commander la pièce n° W10446915

Ensemble de cordon d'alimentation

Commander la pièce n° W10613691

Ensemble de ventilateur déporté intelligent

Commander la pièce n° W10692945

