

# BOTTOM MOUNT OWNER'S MANUAL

## MANUEL D'UTILISATION DE RÉFRIGÉRATEUR À CONGÉLATEUR EN BAS

---

### Table of Contents/Table des matières

<b>REFRIGERATOR SAFETY</b> .....	2	<b>SÉCURITÉ DU RÉFRIGÉRATEUR</b> .....	18
Refrigerator Safety.....	2	Sécurité du réfrigérateur.....	18
<b>MAINTENANCE AND CARE</b> .....	3	<b>ENTRETIEN ET RÉPARATION</b> .....	19
Cleaning.....	3	Nettoyage.....	19
Changing the LED Module.....	4	Remplacer le module à DEL.....	20
Water Filtration System.....	4	Système de filtration de l'eau.....	20
Vacation and Moving Care.....	4	Précautions à prendre avant les vacances ou le déménagement.....	20
<b>INSTALLATION INSTRUCTIONS</b> .....	5	<b>INSTRUCTIONS D'INSTALLATION</b> .....	21
Unpack the Refrigerator.....	5	Déballage du réfrigérateur.....	21
Electrical Requirements.....	5	Spécifications électriques.....	22
Location Requirements.....	5	Exigences d'emplacement.....	22
Water Supply Requirements.....	6	Spécifications de l'alimentation en eau.....	23
Connect the Water Supply.....	6	Raccordement à la canalisation d'eau.....	23
<b>REFRIGERATOR FEATURES</b> .....	8	<b>CARACTÉRISTIQUES DU RÉFRIGÉRATEUR</b> .....	25
Crisper Humidity Control.....	8	Réglage de l'humidité dans le tiroir à légumes.....	25
Ice Maker and Storage Bin (on some models).....	8	Machine à glaçons et bac d'entreposage à glaçons (sur certains modèles).....	25
<b>DOOR AND HANDLE INSTRUCTIONS</b> .....	8	<b>INSTRUCTIONS POUR LA PORTE ET LA POIGNÉE</b> .....	26
Refrigerator Doors and Drawer.....	8	Portes et tiroir du réfrigérateur.....	26
Remove and Replace Door Handles.....	8	Consulter la section Retrait et réinstallation des poignées de porte.....	26
Remove Doors and Hinges.....	10	Démontage des portes et charnières.....	28
Reverse Doors (optional).....	12	Inversion des portes (facultatif).....	30
Replace Doors and Hinges.....	13	Réinstallation des portes et charnières.....	31
Remove and Replace Freezer Drawer.....	14	Retrait et réinstallation du tiroir de congélation.....	32
<b>PERFORMANCE DATA SHEET</b> .....	15	<b>FICHE DE DONNÉES DE PERFORMANCE</b> .....	35
Performance Data Sheet.....	16	Fiche de données de performance.....	35

# REFRIGERATOR SAFETY

## Your safety and the safety of others are very important.

We have provided many important safety messages in this manual and on your appliance. Always read and obey all safety messages.



This is the safety alert symbol.

This symbol alerts you to potential hazards that can kill or hurt you and others.

All safety messages will follow the safety alert symbol and either the word "DANGER" or "WARNING." These words mean:

**▲ DANGER**

**You can be killed or seriously injured if you don't immediately follow instructions.**

**▲ WARNING**

**You can be killed or seriously injured if you don't follow instructions.**

All safety messages will tell you what the potential hazard is, tell you how to reduce the chance of injury, and tell you what can happen if the instructions are not followed.

## IMPORTANT SAFETY INSTRUCTIONS

**WARNING:** To reduce the risk of fire, electric shock, or injury to persons when using your appliance, follow basic precautions, including the following:

- Children should be supervised to ensure that they do not play with the appliance.
- This appliance is not intended for use by persons (including children) with reduced physical, sensory, or mental capabilities, or lack of experience and knowledge, unless they have been given supervision or instruction concerning use of the appliance by a person responsible for their safety.
- Do not use an extension cord.
- If power supply cord is damaged, it must be replaced by the manufacturer, its service agent, or a similarly qualified person in order to avoid a hazard.
- Connect to potable water supply only.
- This appliance is intended to be used in household and similar applications such as: staff kitchen areas in shops, offices, and other working environments; farm houses and by clients in hotels, motels, and other residential-type environments; bed and breakfast-type environments; and catering and similar non-retail applications.
- Do not store explosive substances such as aerosol cans with a flammable propellant in this appliance.
- Do not use replacement parts that have not been recommended by the manufacturer (e.g., parts made at home using a 3D printer).
- Keep ventilation openings, in the appliance enclosure or in the built-in structure, clear of obstruction.
- Do not use mechanical devices or other means to accelerate the defrosting process, other than those recommended by the manufacturer.
- Do not damage the refrigerant circuit.
- Do not use electrical appliances inside the food storage compartments of the appliance, unless they are of the type recommended by the manufacturer.
- Ice maker kit can be added to some models. See serial tag inside the food compartment of appliance for ice maker kit model information.
- A qualified service technician must install the water line and ice maker. See installation instructions supplied with ice maker kit for complete details.

**SAVE THESE INSTRUCTIONS**

## Proper Disposal of Your Old Refrigerator

**WARNING:** Risk of child entrapment. Before you throw away your old refrigerator or freezer:

- Take off the doors.
- Leave the shelves in place so that children may not easily climb inside.

### **⚠WARNING**

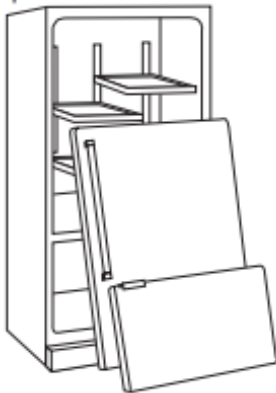
#### **Suffocation Hazard**

**Remove doors or lid from your old appliance.  
Failure to do so can result in death or brain damage.**

**IMPORTANT:** Child entrapment and suffocation are not problems of the past. Junked or abandoned refrigerators are still dangerous, even if they will sit for “just a few days.” If you are getting rid of your old refrigerator, please follow these instructions to help prevent accidents.

#### **Important information to know about disposal of refrigerants:**

Dispose of refrigerator in accordance with federal and local regulations. Refrigerants must be evacuated by a licensed, EPA-certified refrigerant technician in accordance with established procedures.



## MAINTENANCE AND CARE

### Cleaning

### **⚠WARNING**



#### **Explosion Hazard**

**Risk of Fire or Explosion.  
Flammable Refrigerant Used.  
Do Not Use Mechanical Devices to Defrost Refrigerator.  
Do Not Puncture Refrigerant Tubing.**

Both the refrigerator and freezer sections defrost automatically. However, clean both sections about once a month to avoid odor buildup. Wipe up spills immediately.

#### **IMPORTANT:**

- Because air circulates between both sections, any odors formed in one section will transfer to the other. You must thoroughly clean both sections to eliminate odors. To avoid odor transfer and drying out of food, wrap or cover foods tightly.
- For stainless steel models, stainless steel is corrosion-resistant and not corrosion-proof. To help avoid corrosion of your stainless steel, keep your surfaces clean by using the following cleaning instructions.

#### **To Clean Your Refrigerator:**

**NOTE:** Do not use abrasive or harsh cleaners such as window sprays, scouring cleansers, flammable fluids, muriatic acid, cleaning waxes, concentrated detergents, bleaches, or cleansers containing petroleum products on exterior surfaces (doors and cabinet), plastic parts, interior, and door liners or gaskets. Do not use paper towels, scouring pads, or other harsh cleaning tools.

1. Unplug refrigerator or disconnect power.
2. Hand-wash, rinse, and dry removable parts and interior surfaces thoroughly. Use a clean sponge or soft cloth and a mild detergent in warm water.
3. Clean the exterior surfaces.

**Painted metal:** Wash painted metal exteriors with a clean, soft cloth or sponge and a mild detergent in warm water. Rinse surfaces with clean, warm water and dry immediately to avoid water spots.

**Stainless steel:** Wash stainless steel surfaces with a clean, soft cloth or sponge and a mild detergent in warm water. Rinse surfaces with clean, warm water and dry immediately to avoid water spots.

**NOTE:** When cleaning stainless steel, always wipe with the grain to avoid cross-grain scratching.

## **⚠️ WARNING**



### **Explosion Hazard**

**Risk of Fire or Explosion due to Puncture of Refrigerant Tubing;**

**Follow Handling Instructions Carefully.**

**Flammable Refrigerant Used.**

- There is no need for routine condenser cleaning in normal home operating environments. If the environment is particularly greasy or dusty, or there is a significant pet traffic in the home, the condenser should be cleaned every 2 to 3 months to ensure maximum efficiency. If you need to clean the condenser:
  - Pull refrigerator out away from the wall. See "Unpack the Refrigerator."
  - Remove the base grille.
  - Vacuum coils when they are dusty or dirty.
  - Replace the base grille when finished.
  - Roll refrigerator back into place. Make sure to leave 1" (2.5 cm) between the cabinet back and the wall.
  - Check to see that the refrigerator is level.
- Plug in refrigerator or reconnect power.

## **Changing the LED Module**

**IMPORTANT:** The lights in both the refrigerator and freezer compartments use LED technology that do not need to be replaced.

If an LED module(s) do not illuminate when the refrigerator and/or freezer door is opened, call for assistance or service. See "Quick Start Guide" for contact information.

## **Water Filtration System**

The water filter is located in the upper right-hand corner of the refrigerator compartment.

Do not use with water that is microbiologically unsafe or of unknown quality without adequate disinfection before or after the system. Systems certified for cyst reduction may be used on disinfected waters that may contain filterable cysts.

**IMPORTANT:** The disposable water filter should be replaced at least every 6 months. If the water flow to the water dispenser or ice maker decreases noticeably before 6 months have passed, replace the water filter more often.

### **Water Filter Status Lights**

The water filter status lights will help you know when to change the water filter. When the Order light is on, it is almost time to change the water filter. When the Replace light is on, a new water filter should be installed.

### **Reset Water Filter Status (on some models)**

After replacing the water filter, press and hold Filter Reset for 3 seconds until the Order or Replace light turns off. See "Using the Controls" in the Quick Start Guide.

## **Replacing the Water Filter**

To purchase replacement water filter, model EDR4RXD1/EDR4RXD1B, UKF8001AXX-750 or UKF8001AXX-200, contact your dealer or call 1-800-253-1301 U.S.A. or 1-800-807-6777 Canada.

**IMPORTANT:** Air trapped in the water system may cause water and filter to eject. Always dispense water for at least 2 minutes before removing the filter or blue bypass cap.

- Turn filter counterclockwise to remove.

**NOTE:** There may be some water in the filter. Some spilling may occur. Use a towel to wipe up any spills.
- Remove sealing label from replacement filter and insert the filter end into the filter head.
- Turn the filter clockwise until it stops. Snap the filter cover closed.
- Flush the water system. See "Water Dispenser."

**NOTE:** The dispenser feature may be used without a water filter installed. Your water will not be filtered. If this option is chosen, replace the filter with the blue bypass cap.

## **Vacation and Moving Care**

### **Vacations**

**If You Choose to Leave the Refrigerator On While You're Away:**

- Use up any perishables and freezer other items.
- If your refrigerator has an automatic ice maker, and is connected to the household water supply, turn off the water supply to the refrigerator. Property damage can occur if the water supply is not turned off.
- If you have an automatic ice maker, turn off the ice maker.

**NOTE:** Raise the wire shutoff arm to Off (arm up) position.
- Empty the ice bin.

**If You Choose to Turn Off the Refrigerator Before You Leave:**

- Remove all food from the refrigerator.
- If your refrigerator has an automatic ice maker:
  - Turn off the water supply to the ice maker at least one day ahead of time.
  - When the last load of ice drops, raise the wire shutoff arm to the Off (up) position.
- Empty the ice bin.
- Turn off the Temperature control(s). See "Using the Controls" in the Quick Start Guide.
- Clean refrigerator, wipe it, and dry well.
- Tape rubber or wood blocks to the tops of both doors to prop them open far enough for air to get in. This stops odor and mold from building up.

### **Moving**

When you are moving your refrigerator to a new home, follow these steps to prepare it for the move.

- If your refrigerator has an automatic ice maker:
  - Turn off the water supply to the ice maker at least one day ahead of time.
  - Disconnect the water line from the back of the refrigerator.
  - When the last load of ice drops, raise the wire shutoff arm to the Off (up) position.
- Remove all food from the refrigerator and pack all frozen food in dry ice.
- Empty the ice bin.
- Turn off the Temperature control(s). See "Using the Controls" in the Quick Start Guide.

5. Unplug refrigerator.
6. Clean, wipe, and dry thoroughly.
7. Take out all removable parts, wrap them well, and tape them together so they don't shift and rattle during the move.
8. Depending on the model, raise the front of the refrigerator so it rolls more easily or raise the leveling screws so they don't scrape the floor. See online "Adjust the Door(s)" or "Door Closing and Door Alignment."
9. Tape the doors closed and tape the power cord to the back of the refrigerator.

When you get to your new home, put everything back and refer to "Installation Instructions" for preparation instructions. If your refrigerator has an automatic ice maker, remember to reconnect the water supply to the refrigerator.

## INSTALLATION INSTRUCTIONS

### Unpack the Refrigerator

#### **⚠WARNING**

##### **Excessive Weight Hazard**

**Use two or more people to move and install or uninstall appliance.**

**Failure to do so can result in back or other injury.**

#### Remove the Packaging

- Remove tape and glue residue from surfaces before turning on the refrigerator. Rub a small amount of liquid dish soap over the adhesive with your fingers. Wipe with warm water and dry.
- Do not use sharp instruments, rubbing alcohol, flammable fluids, or abrasive cleaners to remove tape or glue. These products can damage the surface of your refrigerator. For more information, see "Refrigerator Safety."
- Dispose of/recycle all packaging materials.

#### When Moving Your Refrigerator:

Your refrigerator is heavy. When moving the refrigerator for cleaning or service, be sure to cover the floor with cardboard or hardboard to avoid floor damage. Always pull the refrigerator straight out when moving it. Do not wiggle or "walk" the refrigerator when trying to move it, as floor damage could occur.

#### Clean Before Using

After you remove all of the packaging materials, clean the inside of your refrigerator before using it. See the cleaning instructions in the "Maintenance and Care" section of your Owner's Manual.

#### Important information to know about glass shelves and covers:

Do not clean glass shelves or covers with warm water when they are cold. Shelves and covers may break if exposed to sudden temperature changes or impact, such as bumping. Tempered glass is designed to shatter into many small, pebble-size pieces. This is normal. Glass shelves and covers are heavy. Use both hands when removing them to avoid dropping.

## Electrical Requirements

#### **⚠WARNING**



##### **Electrical Shock Hazard**

**Plug into a grounded 3 prong outlet.**

**Do not remove ground prong.**

**Do not use an adapter.**

**Do not use an extension cord.**

**Failure to follow these instructions can result in death, fire, or electrical shock.**

Before you move your refrigerator into its final location, it is important to make sure you have the proper electrical connection.

If the supply cord is damaged, it must be replaced by the manufacturer or its service agent or a similarly qualified person. Do not use a cord that shows cracks or abrasion damage along its length or at either the plug or connector end.

#### Recommended Grounding Method

A 115 V, 60 Hz, AC-only 15 A or 20 A fused, grounded electrical supply is required. It is recommended that a separate circuit serving only your refrigerator and approved accessories be provided. Use an outlet that cannot be turned off by a switch. Do not use an extension cord.

**NOTE:** Before performing any type of installation, cleaning, or removing a light bulb, turn the refrigerator to OFF. Depending on your model, turn the refrigerator control to the word OFF, or press the refrigerator down arrow touch pad until a dash (–) appears in refrigerator displays as shown. Disconnect the refrigerator from the electrical source. When you are finished, reconnect the refrigerator to the electrical source and reset the temperature controls to the desired setting. See "Quick Start Guide."

## Location Requirements

#### **⚠WARNING**



##### **Explosion Hazard**

**Keep flammable materials and vapors, such as gasoline, away from appliance.**

**Use nonflammable cleaner.**

**Failure to do so can result in death, explosion, or fire.**

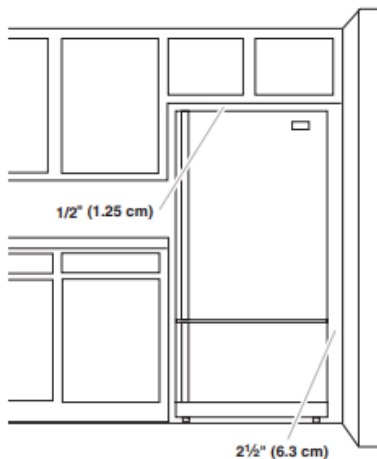
**IMPORTANT:** This refrigerator is designed for indoor, household use only.

This appliance is intended to be used in a household and similar applications such as:

- Staff kitchen areas in shops, offices and other working environments.
- Farm houses and by clients in hotels, motels and other residential type environments.
- Bed and breakfast type environments.
- Catering and similar non-retail applications.

To ensure proper ventilation for your refrigerator, allow for 1/2" (1.25 cm) of space on each side and at the top. Allow for 1" (2.54 cm) of space behind the refrigerator. If your refrigerator has an ice maker, allow extra space at the back for the water line connections. When installing your refrigerator next to a fixed wall, leave 2 1/2" (6.3 cm) minimum on the hinge side (some models require more) to allow for the door to swing open.

**NOTE:** This refrigerator is intended for use in a location where the temperature ranges from a minimum of 55°F (13°C) to a maximum of 110°F (43°C). The preferred room temperature range for optimum performance, which reduces electricity usage and provides superior cooling, is between 60°F (15°C) and 90°F (32°C). It is recommended that you do not install the refrigerator near a heat source, such as an oven or radiator.



## Water Supply Requirements

Gather the required tools and parts before starting installation. Read and follow the instructions provided with any tools listed here.

### Tools Needed:

- Flat-blade screwdriver
- 1/4" Nut driver
- 7/16" and 1/2" Open-end or two adjustable wrenches
- 1/4" Drill bit
- Cordless drill

### IMPORTANT:

- Connect to a potable water supply only.  
Do not use with water that is microbiologically unsafe or of unknown quality without adequate disinfection before or after the system. Systems certified for cyst reduction may be used on disinfected waters that may contain filterable cysts.
- All installations must meet local plumbing code requirements.
- Do not use a piercing-type or 3/16" (4.76 mm) saddle valve which reduces water flow and clogs more easily.
- Use copper tubing and check for leaks. Install copper tubing only in areas where the household temperatures will remain above freezing.
- For models with water filters, the disposable water filter should be replaced at least every 6 months.

## Water Pressure

A cold water supply with water pressure of between 35 psi and 120 psi (241 kPa and 827 kPa) is required to operate the water dispenser and ice maker. If you have questions about your water pressure, call a licensed, qualified plumber.

### Reverse Osmosis Water Supply

**IMPORTANT:** The pressure of the water supply coming out of a reverse osmosis system going to the water inlet valve of the refrigerator needs to be between 35 psi and 120 psi (241 kPa and 827 kPa).

If a reverse osmosis water filtration system is connected to your cold water supply, the water pressure to the reverse osmosis system needs to be a minimum of 40 psi to 60 psi (276 kPa to 414 kPa).

If the water pressure to the reverse osmosis system is less than 40 psi to 60 psi (276 kPa to 414 kPa):

**IMPORTANT:** Flush the water system before calibrating Measured Fill. See "Flush the Water System" in the Owner's Manual.

If you have questions about your water pressure, call a licensed, qualified plumber.

## Connect the Water Supply

Read all directions before you begin.

### IMPORTANT:

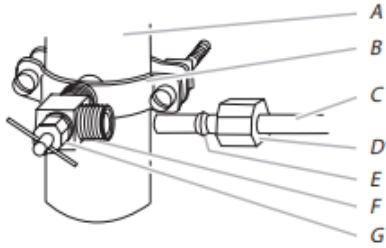
- Plumbing shall be installed in accordance with the International Plumbing Code and any local codes and ordinances.
- The water tubing on the back of the refrigerator (which is used to connect to the household water line) is a PEX (cross-linked polyethylene) tube. Copper and PEX tubing connections from the household water line to the refrigerator are acceptable, and will help avoid off-taste or odor in your ice or water. Check for leaks. If PEX tubing is used instead of copper, we recommend contacting Service to obtain current part numbers.
- Install tubing only in areas where temperatures will remain above freezing.
- If you turn on the refrigerator before the water line is connected, turn off the ice maker to avoid excessive noise or damage to the water valve.

### Connect to Water Line

1. Unplug refrigerator or disconnect power.
2. Turn off main water supply. Turn on nearest faucet long enough to clear line of water.
3. Find a 1/2" to 1 1/4" (12.7 mm to 31.8 mm) vertical cold water pipe near the refrigerator.
4. Determine the length of copper tubing you need. Measure from the connection on the lower right rear of the refrigerator to the water pipe. Add 7 ft (2.1 m) to allow for cleaning. Use 1/4" (6.35 mm) O.D. (outside diameter) copper or PEX tubing. Be sure both ends of copper or PEX tubing are cut square.



- Using a cordless drill, drill a 1/4" (6.35 mm) hole in the cold water pipe you have selected.



- |                         |                       |
|-------------------------|-----------------------|
| A. Cold water pipe      | E. Compression sleeve |
| B. Pipe clamp           | F. Shutoff valve      |
| C. Copper or PEX tubing | G. Packing nut        |
| D. Compression nut      |                       |

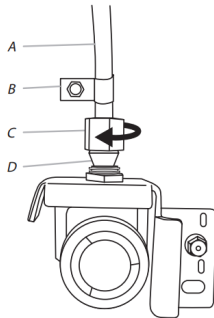
- Fasten the shutoff valve to the cold water pipe with the pipe clamp. Be sure the outlet end is solidly in the 1/4" (6.35 mm) drilled hole in the water pipe and that the washer is under the pipe clamp. Tighten the packing nut. Tighten the pipe clamp screws slowly and evenly so the washer makes a watertight seal. Do not overtighten.
- Slip the compression sleeve and compression nut on the copper tubing as shown. Insert the end of the tubing into the outlet end squarely as far as it will go. Screw compression nut onto outlet end with adjustable wrench. Do not overtighten or you may crush the copper tubing.
- Place the free end of the tubing in a container or sink, and turn on the main water supply. Flush the tubing until water is clear. Turn off the shutoff valve on the water pipe.

### Connect to Refrigerator

Depending on your model, the water line may come down from the top or up from the bottom. Follow the connection instructions for your model.

#### Style 1

- Remove plastic cap from water valve inlet port. Attach the copper tube to the valve inlet using a compression nut and sleeve as shown. Tighten the compression nut. Do not overtighten. Confirm copper tubing is secure by pulling on copper tubing.
- Create a service loop with the copper tubing. Avoid kinks when coiling the tubing. Secure copper or PEX tubing to refrigerator cabinet with a "P" clamp.

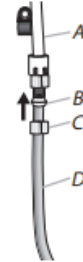


- |                         |                       |
|-------------------------|-----------------------|
| A. Copper or PEX tubing | C. Compression nut    |
| B. "P" clamp            | D. Compression sleeve |

- Turn on water supply to refrigerator and check for leaks. Correct any leaks.

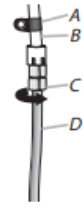
#### Style 2

- Create a service loop (minimum diameter of 2 ft. [61 cm]) with the copper or PEX tubing. Avoid kinks when coiling the tubing.
- Remove the plastic cap from water valve inlet port. Place a compression nut and sleeve on the copper or PEX tubing.
- Insert the end of the copper or PEX tubing into the water valve inlet port. Shape tubing slightly so that the tubing feeds straight into the port to avoid kinks.
- Slide the compression nut over the sleeve and screw into the water valve inlet port.



- |                     |                         |
|---------------------|-------------------------|
| A. PEX water tubing | C. Compression nut      |
| B. Sleeve           | D. Copper or PEX tubing |

- Using an adjustable wrench, hold the nut on the plastic water line to keep it from moving. Then, with a second wrench turn the compression nut on the copper tubing counterclockwise to completely tighten. Do not overtighten.



- |                   |                    |
|-------------------|--------------------|
| A. "P" clamp      | C. Compression nut |
| B. PEX water line | D. Copper tubing   |

- Check connection by pulling on tubing. Attach the PEX water line to the refrigerator cabinet with a "P" clamp.
- Turn on water supply to the refrigerator and check for leaks. Correct any leaks.

## Complete the Installation

### ⚠ WARNING



#### Electrical Shock Hazard

- Plug into a grounded 3 prong outlet.
- Do not remove ground prong.
- Do not use an adapter.
- Do not use an extension cord.
- Failure to follow these instructions can result in death, fire, or electrical shock.

1. Plug into a grounded 3-prong outlet.  
**NOTE:** Allow 24 hours to produce the first batch of ice. Discard the first three batches of ice produced. Allow 3 days to completely fill the ice storage bin.
2. Flush the water system. See "Water and Ice Dispensers."

## REFRIGERATOR FEATURES

### Crisper Humidity Control

You can control the amount of humidity in the moisture-sealed crisper. Depending on your model, adjust the control to any setting between Fruit and Vegetables or Low and High.

- Fruit/Low (open) for best storage of fruits and vegetables with skins.
- Vegetables/High (closed) for best storage of fresh, leafy vegetables.

For information on additional features for your appliance, see online "Feature Guide."

### Ice Maker and Storage Bin (on some models)

#### Ice Production Rate

Allow 24 hours to produce the first batch of ice. Discard the first three batches of ice produced.

Allow 3 days to completely fill the ice storage bin. The ice maker should produce approximately 3 lbs (1.4 kg) (8 to 12 batches) of ice in a 24-hour period.

To increase ice production, lower the freezer and refrigerator temperature, or see "Control Panel Descriptions" in the Quick Start Guide for details. Wait 24 hours between adjustments.

#### Ice Maker in the Freezer

##### Turn the Ice Maker On/Off:

##### Turn the Ice Maker On/Off for Icemaker without a switch:

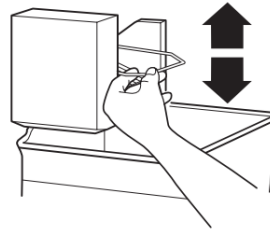
To turn on the ice maker, simply lower the wire shutoff arm.

To manually turn the ice maker off, lift the wire shutoff arm to the off (arm up) position and listen for the click.

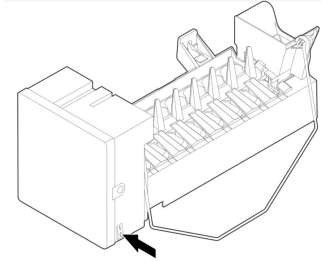
Your ice maker has an automatic shutoff. As ice is made, the ice cubes will fill the ice storage bin and the ice cubes will raise the wire shutoff arm to the off (arm up) position. Do not force the wire shutoff arm up or down.

##### For icemakers with a switch:

For icemakers with a switch, use the switch to turn ON or Off the icemaker.



Without switch



With switch

**NOTE:** Turn off the ice maker before removing the ice storage bin to serve ice or to clean the bin. This will keep the ice cubes from dropping out of the ice maker and into the freezer compartment. After replacing the ice storage bin, turn on the ice maker.

Wash the ice storage bin with mild soap and warm water.

Slide the ice storage bin under the ice maker and push it toward the back as far as it will go.

## DOOR AND HANDLE INSTRUCTIONS

### Refrigerator Doors and Drawer

**TOOLS NEEDED:** 5/16", 3/8", 1/4" hex head socket wrench, a Torx† T20 screwdriver, a #2 Phillips screwdriver, and a flat-blade screwdriver

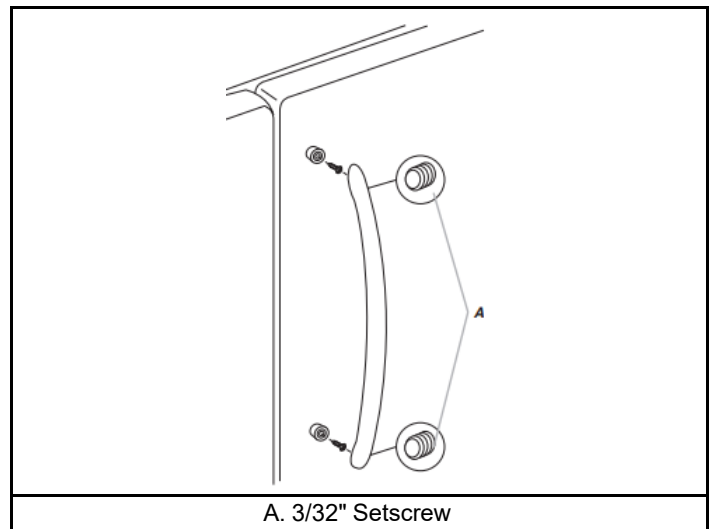
#### IMPORTANT:

- Your refrigerator may have a standard reversible refrigerator door with either a freezer door or freezer drawer, or French doors. Follow the instructions specific to the door style of your model.
- If you only want to remove and replace the doors, see "Remove Doors and Hinges" and "Replace Doors and Hinges."
- Before you begin, turn the refrigerator control Off, and remove food and adjustable door or utility bins from the doors.

### Remove and Replace Door Handles

#### REFRIGERATOR DOOR HANDLES

##### Refrigerator Door Handle Style 1

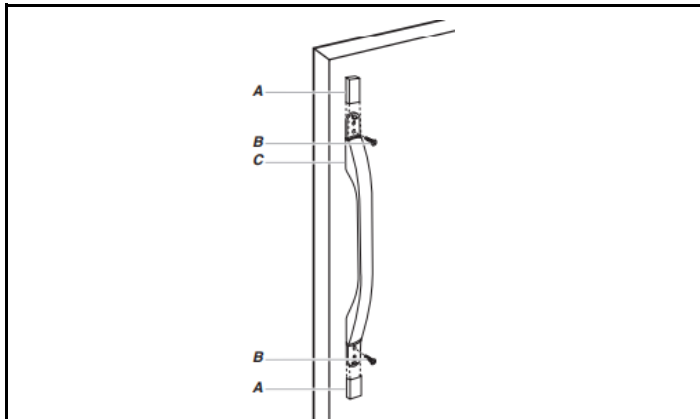


A. 3/32" Setscrew



- Using a 3/32" or 1/8" hex key, loosen the two setscrews located on the side of each handle. Pull the handle straight out from the drawer. Make sure you keep the screws for reattaching the handles.
- To replace the handles, reverse the directions.

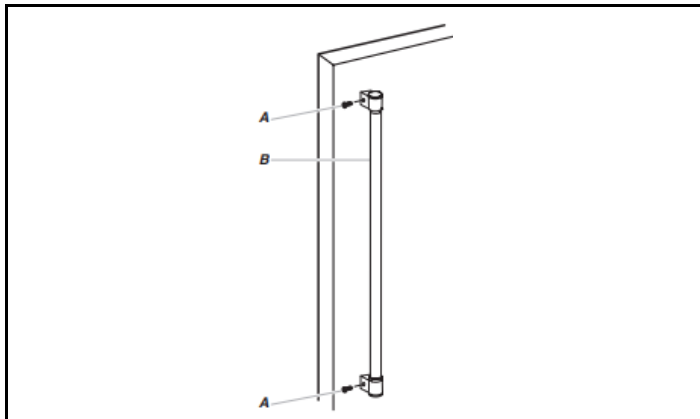
### Refrigerator Door Handle Style 2



A. Handle Trim	C. Refrigerator Door Handle
B. Flat-Head Handle Screws	

- Remove the screw cover.
- Remove the handle assembly. Keep all parts together.
- To replace the handles, reverse the directions.

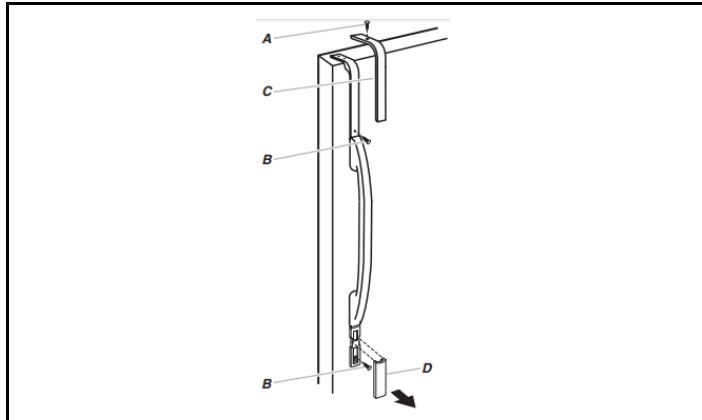
### Refrigerator Door Handle Style 3



A. Flat-Head Handle Screws	B. Refrigerator Door Handle
----------------------------	-----------------------------

- Using a 3/32" or 1/8" hex key, loosen the two setscrews located on the side of each handle. Pull the handle straight out from the drawer. Make sure you keep the screws for reattaching the handles.
- To replace the handles, reverse the directions.

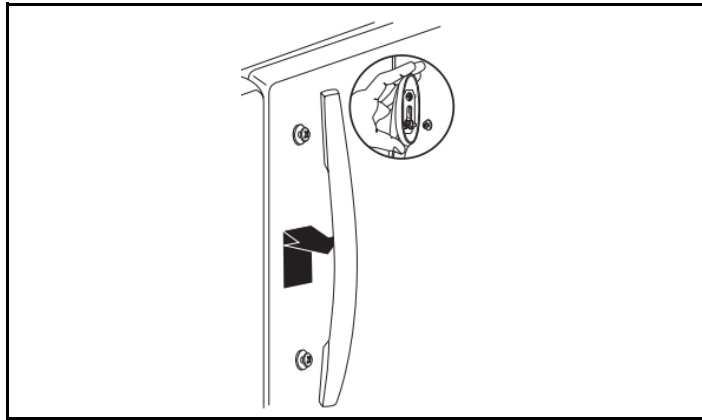
### Refrigerator Door Handle Style 4



A. Trim Screw	C. Top Trim
B. Handle Screws	D. Bottom Trim

- To remove the handle, remove the screw attaching the trim to the upper end of the handle. Using a flat-blade screwdriver wrapped in masking tape, pry the trim piece from the lower end of the handle. Then, remove the screws attaching the handle to the door.
- To replace handle, reverse directions.

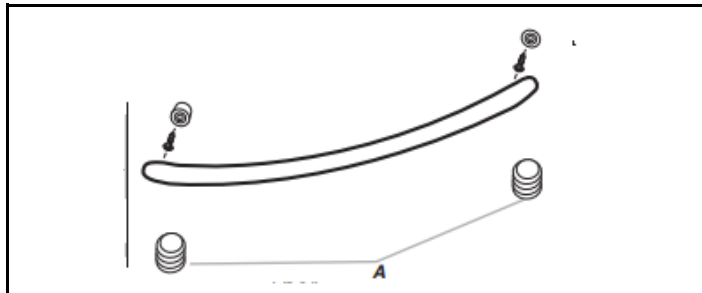
### Refrigerator Door Handle Style 5



- To remove the handle, grasp the lower part of the handle firmly, slide the handle up and pull the handle straight out from the door.
- To replace the handle, position the handle so that the large holes in the mounting clips are down and align the holes with the door studs. Rotate the handle so that the mounting clips are flat against the door and slide the handle down to engage.

### FREEZER DOOR HANDLES

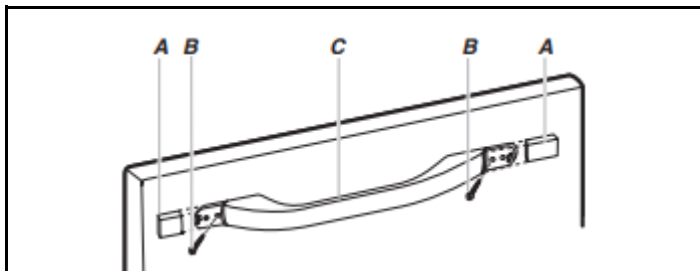
#### Freezer Door Handle Style 1



A. 3/32" Setscrew

- Using a 3/32" or 1/8" hex key, loosen the two setscrews located on the side of each handle. Pull the handle straight out from the drawer. Make sure you keep the screws for reattaching the handles.
- To replace the handles, reverse the directions.

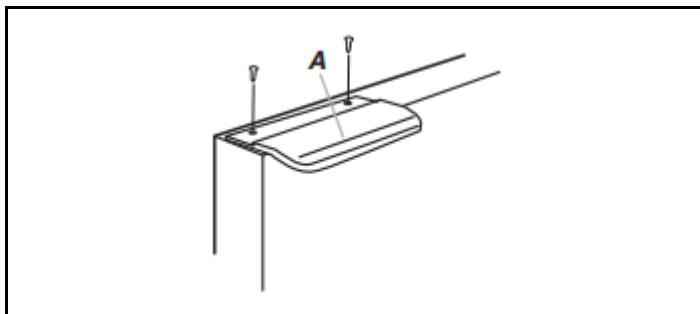
### Freezer Door Handle Style 2



A. Handle Trim	C. Freezer Drawer Handle
B. Flat-Head Handle Screws	

- Remove the screw cover.
- Remove the handle assembly. Keep all parts together.
- To replace the handles, reverse the directions.

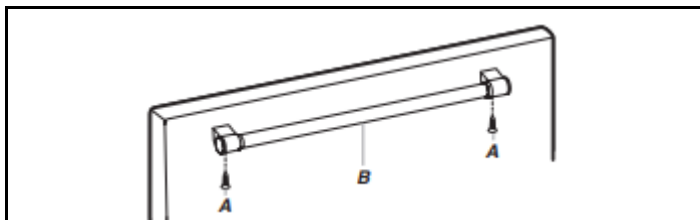
### Freezer Door Handle Style 3



A. Flat-Head Handle Screws
----------------------------

- Remove screws and handle.
- To replace handle, reverse directions.

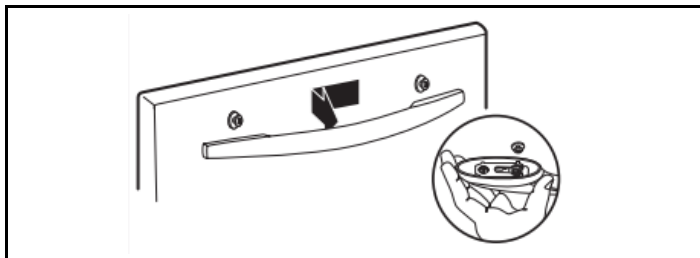
### Freezer Door Handle Style 4



A. Flat-Head Screws	B. Freezer Drawer Handle
---------------------	--------------------------

- Remove screws and handle.
- To replace the handles, reverse the directions.

### Freezer Door Handle Style 5



- To remove the handle, grasp the lower part of the handle firmly, slide the handle up and pull the handle straight out from the door.
- To replace the handle, position the handle so that the large holes in the mounting clips are down and align the holes with the door studs. Rotate the handle so that the mounting clips are flat against the door and slide the handle down to engage.

## Remove Doors and Hinges

### STANDARD DOOR

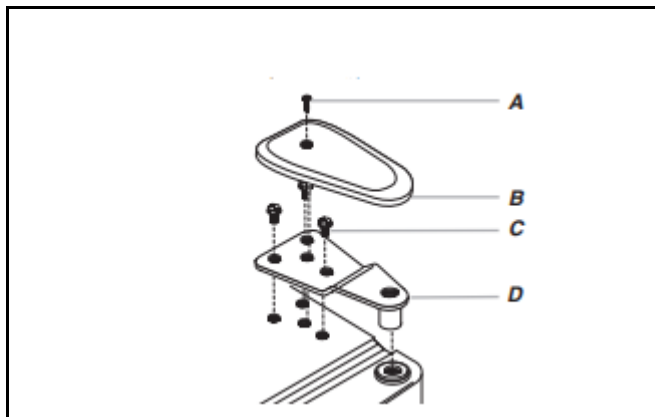


Hex Head Top Hinge Screw

#### Standard Door - Freezer drawer models

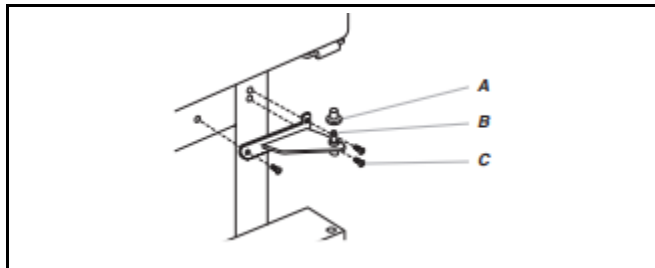
1. Unplug refrigerator or disconnect power
2. Keep the refrigerator door closed until you are ready to lift it free from the cabinet.
 

**NOTE:** Provide additional support for the door while the hinges are being moved. Do not depend on the door gasket magnets to hold the door in place while you are working.
3. Remove the parts for the top hinge as shown below. Lift the refrigerator door free from the cabinet.



A. Hinge Cover Screw	C. 5/16" Hex-Head Hinge Screws
B. Top Hinge Cover	D. Top Hinge

4. Remove the parts for the bottom hinge as shown below.



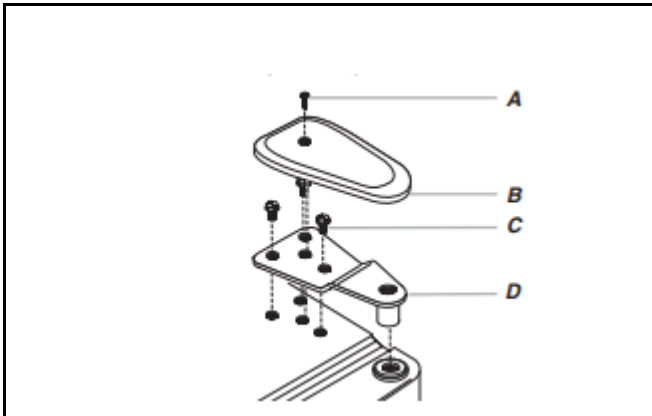
A. Hinge Pin Cover	C. Hinge Screws
B. Bottom Hinge	

#### Freezer door models

1. Unplug refrigerator or disconnect power.
2. Keep the freezer door closed until you are ready to lift it free from the cabinet.
 

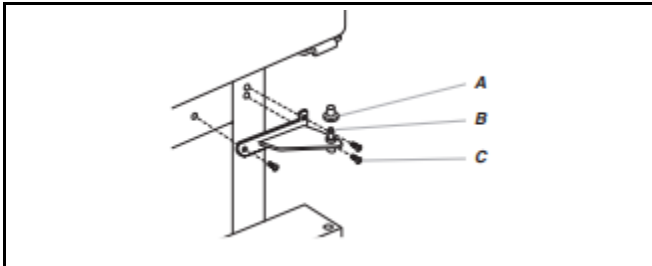
**NOTE:** Provide additional support for the door while the hinges are being moved. Do not depend on the door gasket magnets to hold the door in place while you are working.

- Remove the parts for the top hinge as shown below. Lift the refrigerator door free from the cabinet.



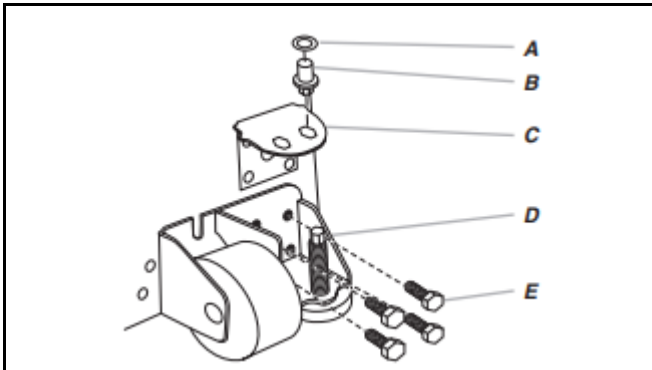
A. Hinge Cover Screw	C. 5/16" Hex-Head Hinge Screws
B. Top Hinge Cover	D. Top Hinge

- Remove the center hinge pin and remove the hinge screws as shown below. Lift the freezer door free from the cabinet.



A. Hinge Pin Cover	C. Hinge Screws
B. Center Hinge	

- Remove the base grille by grasping the grille firmly with both hands and pulling it toward you.
- Remove the parts for the bottom hinge as shown below.



A. Hinge Pin Shim	D. Roller Bracket
B. Bottom Hinge	E. 3/8" Hex-Head Screws
C. Hinge Plate	

## ⚠ WARNING



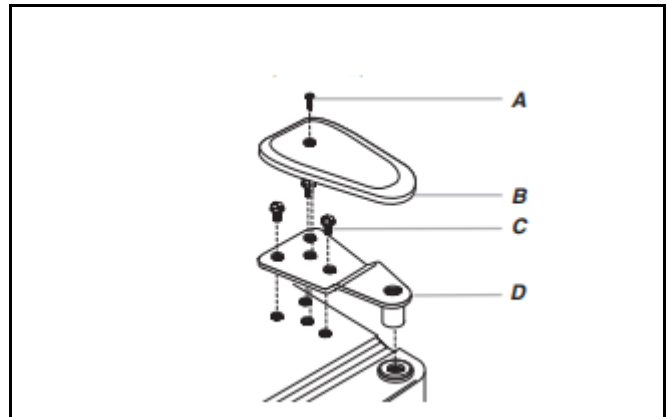
### Electrical Shock Hazard

Disconnect power before removing doors.

Failure to do so could result in death or electrical shock.

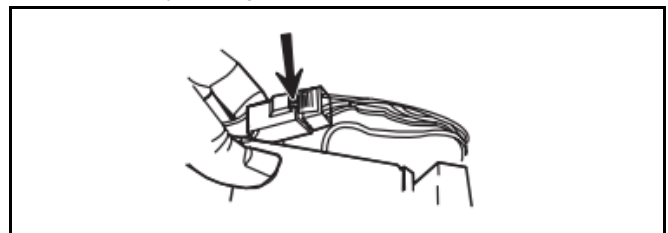
### FRENCH DOORS

- Unplug refrigerator or disconnect power.
  - Keep the refrigerator doors closed until you are ready to lift them free from the cabinet.
- NOTE:** Provide additional support for the refrigerator door while the hinges are being removed. Do not depend on the door gasket magnets to hold the door in place while you are working
- Starting with the right-hand side door, remove the parts for the top hinge as shown below. Lift the refrigerator door from the bottom hinge pin.



A. Hinge Cover Screw	C. 5/16" Hex-Head Hinge Screws
B. Top Hinge Cover	D. Top Hinge

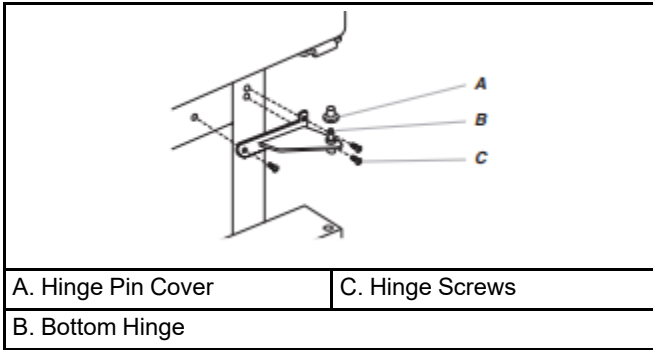
- Remove the hinge pin cover from the bottom hinge pin and keep it for later use.
- Before removing the left-hand side door, disconnect the wiring plug located on top of the top hinge by wedging a flatblade screwdriver or your fingernail between the two sections..



**NOTE:** The green, ground wire remains attached to the hinge.

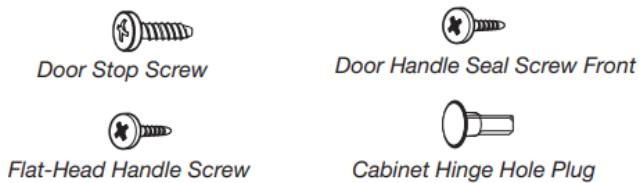
- Remove the parts for the left-hand side door top hinge as shown in the Top Hinge graphic in Step 3. Lift the door from the bottom hinge pin.

**NOTE:** Remove the hinge pin cover from the bottom hinge pin and keep it for later use.



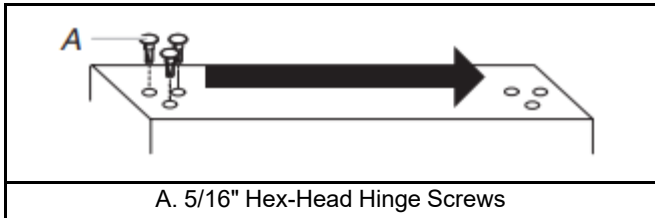
## Reverse Doors (optional)

**IMPORTANT:** If you want to reverse your door so it opens from the opposite side, follow these steps. If you are not reversing the door, see “Replace Door(s) and Hinges.”



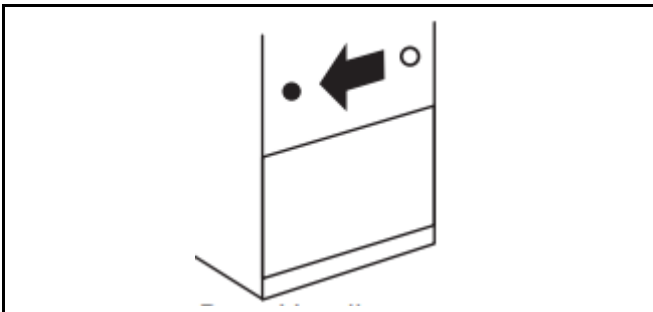
### Cabinet

- Remove hinge screws from handle side and move them to opposite side.

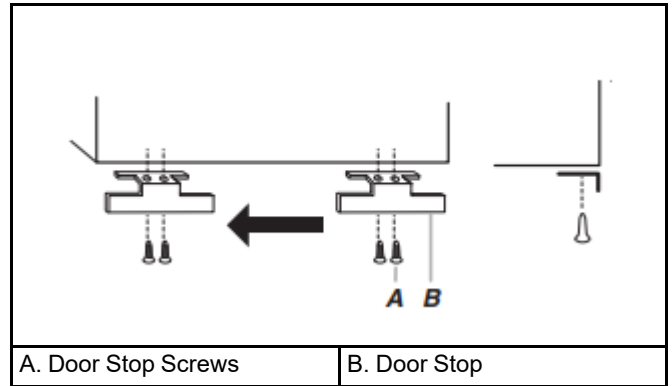


### Refrigerator door

- Remove the refrigerator handle assembly. See “Remove and Replace Door Handles.” Keep all parts together.
- Remove door handle seal screw front. Move to opposite side of refrigerator door as shown below.



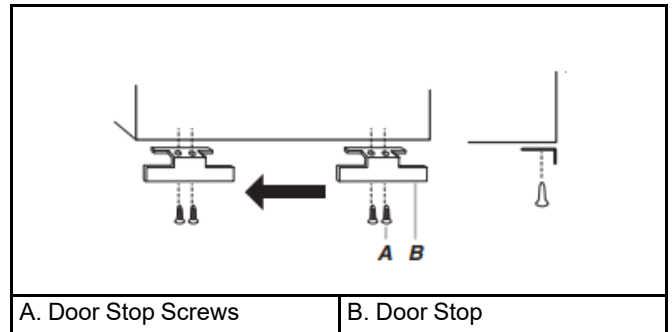
- Remove the door stop. Move it to the opposite side of the refrigerator door as shown below.



- Attach refrigerator handle on opposite side of the refrigerator door with the two screws. Replace handle trim. See “Remove and Replace Door Handles.”
- Tighten all screws. Set aside the door until hinges and freezer compartment drawer are in place.

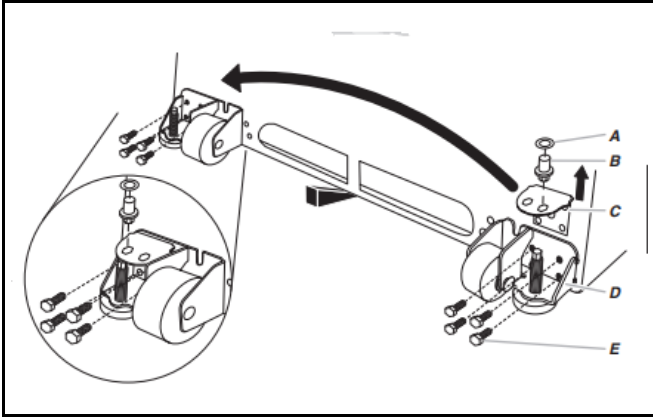
### Freezer door

- Remove the freezer handle assembly. See “Remove and Replace Door Handles.” Keep all parts together.
- Remove door stop. Move to opposite side of freezer door as shown below.



- Attach handle to opposite side of freezer door.
  - Tighten all screws. Set the door aside.
  - Remove the base grille by grasping the grille firmly with both hands and pulling it toward you.
- NOTE:** Place a shim under the bottom front edge of the refrigerator cabinet to take the weight off the roller brackets.
- Remove the screws from both roller brackets as shown below.

- Remove the hinge plate located behind the roller bracket and move it to the opposite side of the refrigerator. Move the hinge pin and shim to the outside hole on the hinge plate as shown below.



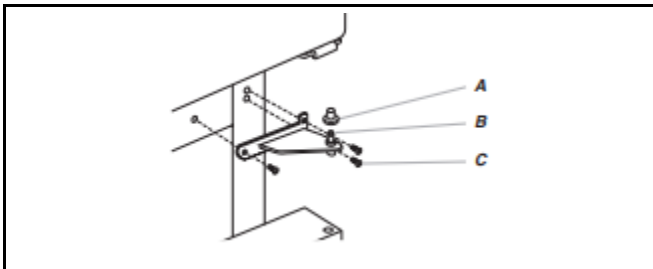
A. Hinge Pin Shim	D. Roller Bracket
B. Bottom Hinge	E. 3/8" Hex-Head Hinge Screws
C. Hinge Plate	

## Replace Doors and Hinges

**NOTE:** Graphic may be reversed if door swing is reversed.

### Standard Door - Freezer drawer models

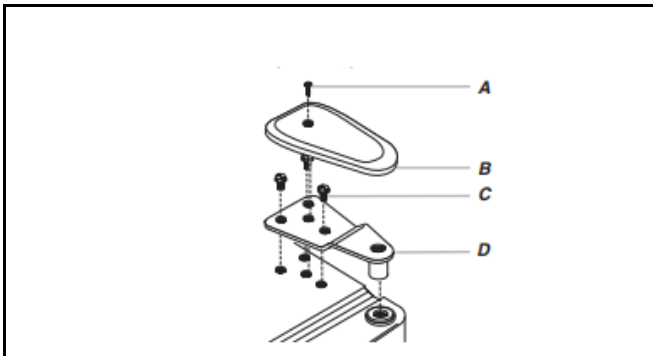
- Replace the parts for the bottom hinge as shown below. Tighten screws.



A. Hinge Pin Cover	C. Hinge Screws
B. Bottom Hinge	

**NOTE:** Provide additional support for the door while the hinges are being moved. Do not depend on the door gasket magnets to hold the door in place while you are working.

- Assemble the parts for the top hinge as shown below. Do not tighten screws completely.

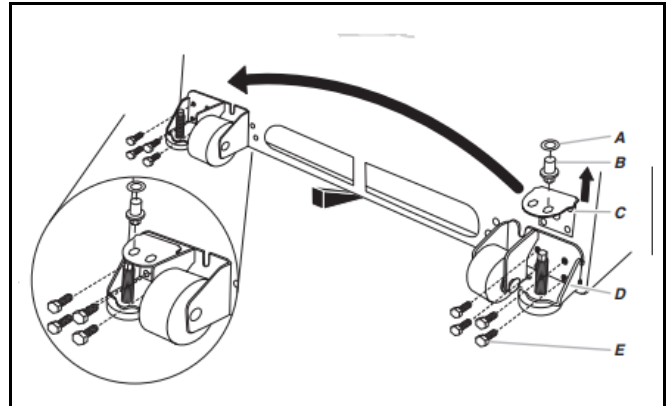


A. Hinge Cover Screw	C. 5/16" Hex-Head Hinge Screws
B. Top Hinge Cover	D. Top Hinge

- Adjust the door so that the bottom of the refrigerator door is aligned with the top of the freezer drawer. Tighten all screws.

### Standard Door - Freezer door models

- Make sure the hinge plate is securely fastened behind the roller bracket and that the hinge pin is inserted into the outside hole. Fully tighten all roller bracket screws.

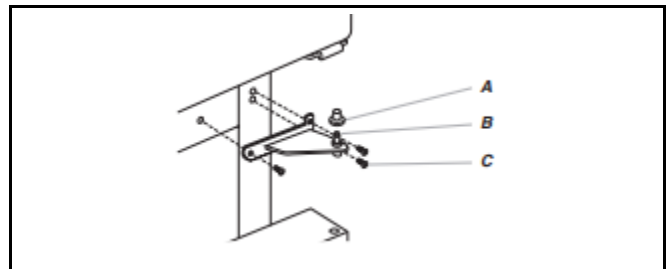


A. Hinge Pin Shim	D. Roller Bracket
B. Bottom Hinge	E. 3/8" Hex-Head Hinge Screws
C. Hinge Plate	

- Remove the shim that you placed under the front edge of the refrigerator cabinet. Replace the freezer door

**NOTE:** Provide additional support for the door while the hinges are being moved. Do not depend on the door gasket magnets to hold the door in place while you are working.

- Assemble the parts for the center hinge as shown below, and tighten all the screws. Replace the refrigerator door.



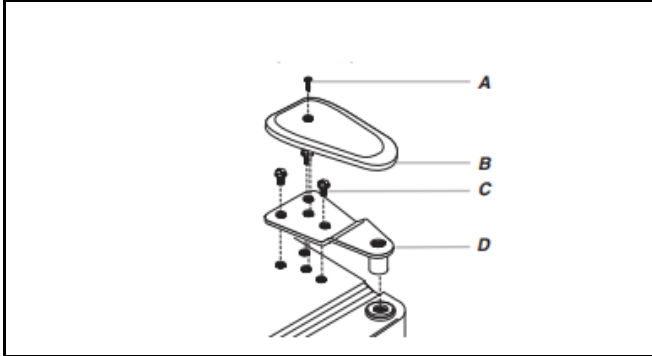
A. Hinge Pin Cover	C. Hinge Screws
B. Center Hinge	

- Assemble the parts for the top hinge as shown below. Do not tighten the screws completely.

- Adjust the doors so that the bottom of the refrigerator door is aligned with the top of the freezer door. Tighten all screws.

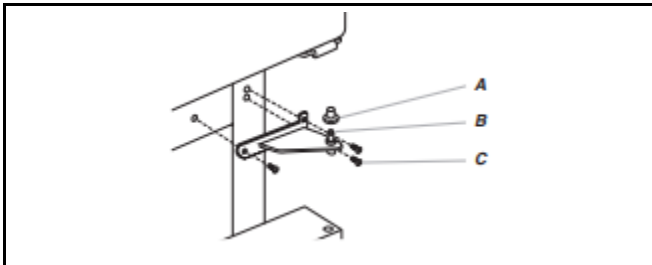
## French Door Models

1. Assemble the parts for the top hinges as shown below. Do not tighten the screws completely.



A. Hinge Cover Screw	C. 5/16" Hex-Head Hinge Screws
B. Top Hinge Cover	D. Top Hinge

2. Replace the parts for the bottom hinges as shown below. Tighten screws. Replace the refrigerator doors.



A. Hinge Pin Cover	C. Hinge Screws
B. Bottom Hinge	

**NOTE:** Provide additional support for the refrigerator doors while the hinges are being moved. Do not depend on the door gasket magnets to hold the doors in place while you are working.

3. Align each door so that the bottom of the refrigerator door aligns evenly with the top of the freezer drawer. Tighten all screws.
4. Reconnect the wiring plug on top of the left-hand side refrigerator door. Replace the top hinge covers.

## Remove and Replace Freezer Drawer

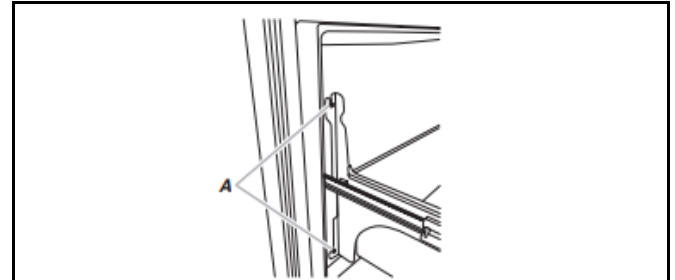
### IMPORTANT:

- Two people may be required to remove and replace the freezer drawer.

### REMOVE DRAWER FRONT

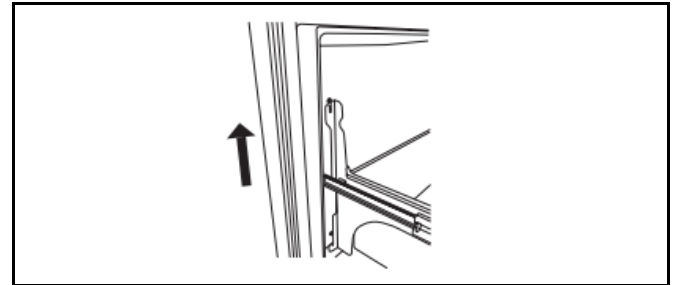
1. Open the freezer drawer to full extension.
2. Loosen the four screws attaching the drawer glides to the drawer front as shown below.

**NOTE:** Loosen screws three to four turns. Keep the screws in the drawer front.



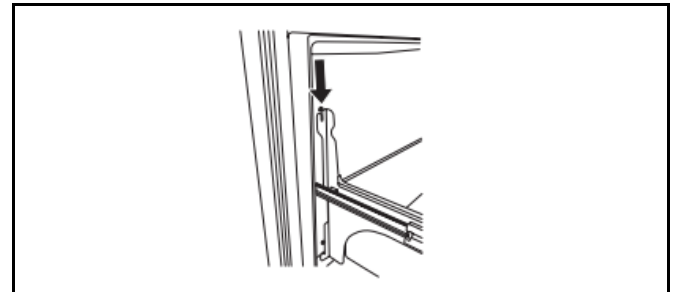
A. Four Bracket screws

3. Lift drawer front upward and off the screws.

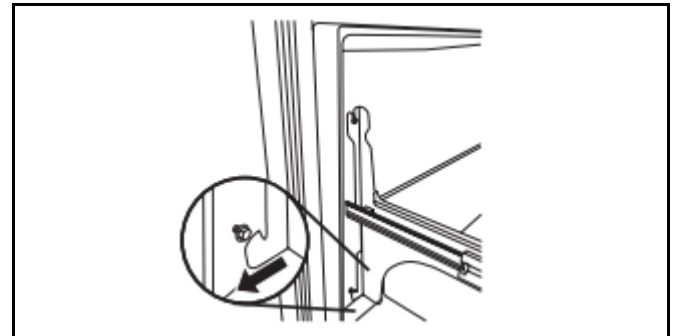


### Replace Drawer Front

1. Slide the drawer glides out of the freezer compartment. Insert the screws in the top of the drawer front into the slots in the drawer brackets as shown below.



2. Pull the drawer brackets toward you to insert the two screws in the bottom of the drawer front into the brackets as shown below.






3. Completely tighten the four screws.

## Final Steps

1. Check all holes to make sure that hole plugs and screws are in place. Reinstall top hinge cover.
2. Replace the base grille.

⚠ WARNING



Electrical Shock Hazard

**Plug into a grounded 3 prong outlet.**

**Do not remove ground prong.**

**Do not use an adapter.**

**Do not use an extension cord.**

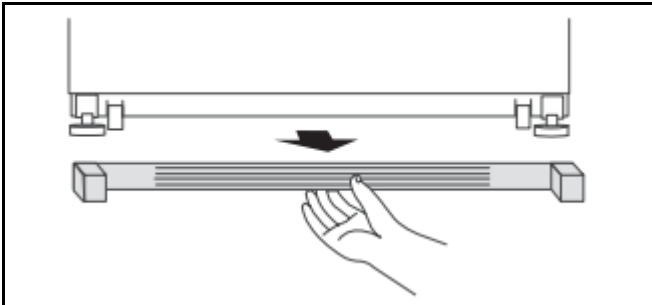
**Failure to follow these instructions can result in death, fire, or electrical shock.**

3. Plug into a grounded 3 prong outlet.
4. Return all removable door parts to door and food to refrigerator.

## Door Closing and Door Alignment

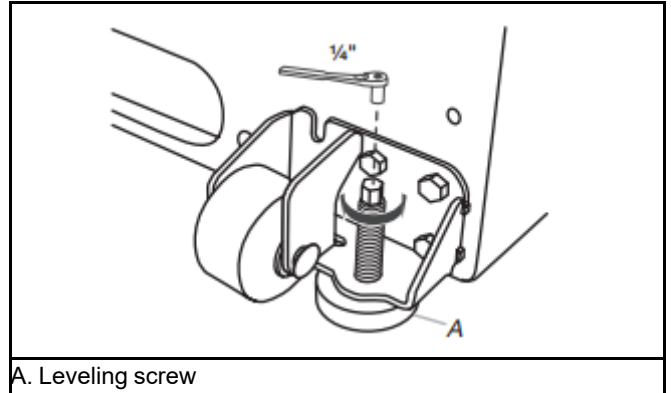
The base grille covers the leveling screws and roller assemblies located at the bottom of the refrigerator cabinet below the freezer door or drawer. Before making adjustments, remove the base grille and move the refrigerator to its final location.

1. Remove the two screws fastening the base grille to the cabinet, and set the screws aside. Grasp the grille and pull it toward you.

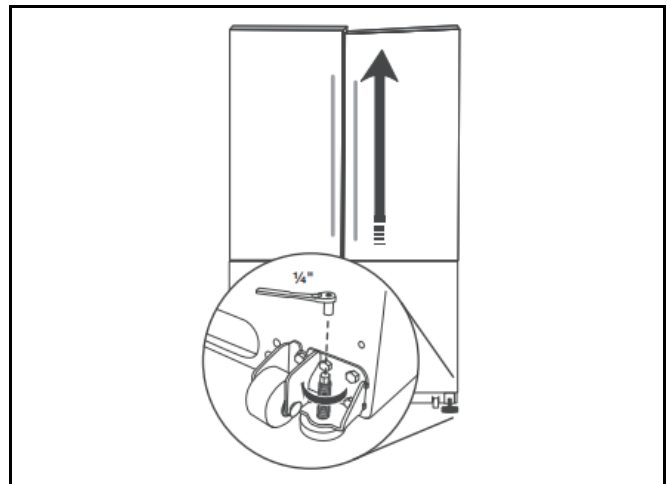


2. Move the refrigerator to its final location.  
**NOTE:** To allow the refrigerator to roll easier, raise the leveling legs off the floor by turning the leveling screws counterclockwise. The front rollers will be touching the floor.

3. So the doors will close easier, use a 1/4" hex driver to turn both leveling screws clockwise. This will raise the front of the refrigerator tilting it slightly downward to the rear. Turn both leveling screws the same amount.  
**NOTE:** Having someone push against the top of the refrigerator takes some weight off the leveling screws. This makes it easier to turn the screws.



4. Open and close the doors to make sure they close as easily as you like. If not, increase the tilt by turning both leveling screws clockwise. It may take several turns of the leveling screw to allow the doors to close easier.
5. Check for door alignment. If one door is lower than the other, adjust the leveling screw, on the lower side of the refrigerator. Using a 1/4" hex driver, turn the screw clockwise to raise that side of the refrigerator until the doors are aligned. It may take several turns of the leveling screw to raise the refrigerator.  
**NOTE:** Having someone push against the top of the refrigerator takes some weight off the leveling screws. This makes it easier to turn the screws.



6. Make sure the refrigerator is steady. If the refrigerator seems unsteady or rolls forward when the door or drawer is opened adjust the leveling screws. Using a 1/4" hex driver, turn the leveling screw on each side clockwise until the rollers are up and the leveling feet are firmly against the floor.  
**NOTE:** Having someone push against the top of the refrigerator takes some weight off the leveling screws. This makes it easier to turn the screws.
7. Replace the base grille by aligning the ends of the grille with the leveling assemblies on each side and snapping the grille into place.

# PERFORMANCE DATA SHEET

## Water Filtration System

**Model EDR4RXD1 (equivalent to UKF8001)**

**Capacity 200 Gallons (757 Liters) with PID,**

**100 Gallons (379 Liters) without PID.**

This system has been tested by an independent laboratory according to NSF/ANSI Standards 42, 53, 401 and CSA B483.1 for the reduction of the substances listed below. The concentration of the indicated substances in water entering the system was reduced to a concentration less than or equal to the permissible limit for water leaving the system, as specified in NSF/ANSI Standards 42, 53, 401 and CSA B483.1.

<b>Substance Reduction</b>	<b>Influent Challenge Concentration</b>	<b>Maximum Permissible Product Water Concentration</b>	<b>Average % Reduction</b>	<b>Minimum % Reduction</b>
<b>Aesthetic Effects</b>				
Chlorine Taste/Odor	2.0 mg/L ± 10%	50% reduction	>97.4%	97.4%
Particulate Class I*	At least 10,000 particles/mL	85% reduction	99.3%	99.0%

<b>Contaminant Reduction</b>	<b>Influent Challenge Concentration</b>	<b>Maximum Permissible Product Water Concentration</b>	<b>Average % Reduction</b>	<b>Minimum % Reduction</b>
Lead: @ pH 6.5 / @ pH 8.5	0.150 mg/L ± 10%	0.010 mg/L	99.6% / >99.7%	99.3% / >99.7%
Mercury: @ pH 6.5 / @ pH 8.5	0.006 mg/L ± 10%	0.002 mg/L	96.3% / 94.5%	96.3% / 89.5%
Asbestos	10 <sup>7</sup> to 10 <sup>8</sup> fibers/L††	>99%	>99%	>99%
Cysts†	50,000/L min.	>99.95%	>99.99%	99.99%
Atrazine	0.009 mg/L ± 10%	0.003 mg/L	>94.3%	94.3%
Benzene	0.015 mg/L ± 10%	0.005 mg/L	>96.5%	96.5%
Carbofuran	0.080 mg/L ± 10%	0.040 mg/L	>98.8%	98.8%
Lindane	0.002 mg/L ± 10%	0.0002 mg/L	>99.0%	98.9%
P-Dichlorobenzene	0.225 mg/L ± 10%	0.075 mg/L	>99.8%	99.8%
Tetrachloroethylene	0.015 mg/L ± 10%	0.005 mg/L	>96.4%	95.8%
Toxaphene	0.015 mg/L ± 10%	0.003 mg/L	>93.2%	93.1%
Atenolol	200 ± 20%	30 ng/L	>95.5%	95.5%
Endrin	0.006 mg/L ± 10%	0.002 mg/L	96.4%	94.8%
Ethylbenzene	2.1 mg/L ± 10%	0.7 mg/L	>99.9%	99.9%
o-Dichlorobenzene	1.8 mg/L ± 10%	0.6 mg/L	>99.9%	99.9%
2,4 - D	0.210 mg/L ± 10%	0.07 mg/L	99.3%	97.4%
Carbamazepine	1400 ± 20%	200 ng/L	>98.7%	98.6%
DEET	1400 ± 20%	200 ng/L	>98.6%	98.6%
Linuron	140 ± 20%	20 ng/L	>96.3%	96.3%
Meprobamate	400 ± 20%	60 ng/L	>95.2%	95.2%
Metolachor	1400 ± 20%	200 ng/L	>98.7%	98.7%
Trimethoprim	140 ± 20%	20 ng/L	>96.6%	96.5%
Bisphenol	2000 ± 20%	300 ng/L	>99.1%	99.1%
Estrone	140 ± 20%	20 ng/L	>96.6%	96.4%

Nonylphenol	1400 ± 20%	200 ng/L	>96.7%	96.6%
Ibuprofen	400 ± 20%	60 ng/L	>95.5%	95.3%
Naproxen	140 ± 20%	20 ng/L	>96.8%	96.7%
Phenytoin	200 ± 20%	30 ng/L	>95.5%	95.5%
Turbidity	11 NTU ± 10%	0.5 NTU	98.8%	98.2%
Chlorobenzene	2.0 ± 10%	0.1 mg/ L	>99.9%	99.9%

Test Parameters: pH = 7.5 ± 0.5 unless otherwise noted. Flow = 0.70 gpm (2.65 Lpm). Pressure = 60 psig (413.7 kPa). Temp. = 68°F to 71.6°F (20°C to 22°C). Rated service capacity = 200 gallons (757 liters) with PID, 100 gallons (379 liters) without PID.

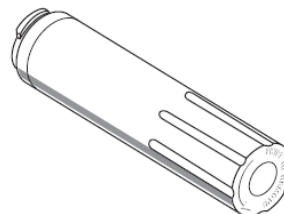
The compounds certified under NSF 401 have been deemed as “emerging compounds/incidental contaminants.” Emerging compounds/incidental contaminants compounds that have been detected in drinking water supplies at trace levels. While occurring at only trace levels, these compounds can affect the public acceptance/ perception of drinking water quality.

- For installation, operation, and maintenance instructions please refer to the use & care guide.
- It is essential that operational, maintenance, and filter replacement requirements be carried out for the product to perform as advertised. Property damage can occur if all instructions are not followed.
- The disposable cartridge must be changed at least every 6 months.
- Use replacement filter UKF8001, Part # EDR4RXD1/EDR4RXD1B. 2018 suggested retail price of \$49.99 U.S.A./\$49.95 Canada. Prices are subject to change without notice.
- The filter monitor system measures the amount of water that passes through the filter and alerts you when it is time to replace the filter. To learn how to check the water filter status, see “Using the Controls” or “Water Filtration System” in the User Instructions or User Guide.
- After changing the water filter, flush the water system. See “Water and Ice Dispensers” or “Water Dispenser” in the User Instructions or User Guide.
- These contaminants are not necessarily in your water supply. While testing was performed under standard laboratory conditions, actual performance may vary.
- The product is for cold water use only.
- The water system must be installed in compliance with state and local laws and regulations.
- Do not use with water that is microbiologically unsafe or of unknown quality without adequate disinfection before or after the system. Systems certified for cyst reduction may be used on disinfected waters that may contain filterable cysts. EPA Est. No. 69625-CT-001
- Refer to the “Warranty” for the Manufacturer’s limited warranty, name and telephone number.

#### Application Guidelines/Water Supply Parameters

Water Supply	Potable City or Well
Water Pressure	30 psi - 120 psi (207 kPa - 827 kPa)
Water Temperature	33°F - 100°F (0.6°C - 37.8°C)
Service Flow Rate	0.70 GPM (2.65 L/min.) @ 60 psi. (413.7 kPa)

- Your water filtration system will withstand up to 120 pounds per square inch (psi) water pressure. If your water supply is higher than 80 psi, install a pressure reducing valve before installing the water filtration system.



\*Class I particle size: >0.5 to 1 um

†Based on the use of Cryptosporidium parvum oocysts

††Fibers greater than 10 um in length

©NSF is a registered trademark of NSF International.

# SÉCURITÉ DU RÉFRIGÉRATEUR

## Votre sécurité et celle des autres sont très importantes.

Nous donnons de nombreux messages de sécurité importants dans ce manuel et sur votre appareil. Assurez-vous de toujours lire tous les messages de sécurité et de vous y conformer.



Voici le symbole d'alerte de sécurité.

Ce symbole d'alerte de sécurité vous signale les dangers potentiels de décès et de blessures graves.

Tous les messages de sécurité suivront le symbole d'alerte de sécurité et le mot « DANGER » ou « AVERTISSEMENT ». Ces mots signifient :

**▲ DANGER**

**Risque possible de décès ou de blessure grave si vous ne suivez pas immédiatement les instructions.**

**▲ AVERTISSEMENT**

**Risque possible de décès ou de blessure grave si vous ne suivez pas les instructions.**

Tous les messages de sécurité vous diront quel est le danger potentiel, comment réduire le risque de blessure et ce qui peut se produire en cas de non-respect des instructions.

## INSTRUCTIONS IMPORTANTES DE SÉCURITÉ

**AVERTISSEMENT :** Afin de réduire le risque d'incendie, de décharge électrique ou de blessures corporelles lors de l'utilisation de cet appareil, observer certaines précautions fondamentales, notamment :

- Les enfants doivent être surveillés afin de s'assurer qu'ils ne jouent pas avec l'appareil.
- Cet appareil ne convient pas à une utilisation par des personnes (y compris des enfants) à capacités physiques, sensorielles ou mentales réduites, ou possédant un manque d'expérience et de connaissances, à moins qu'elles ne soient placées sous supervision ou qu'elles aient reçu des instructions concernant l'utilisation de l'appareil par une personne responsable de leur sécurité.
- Ne pas utiliser de rallonge.
- Si le cordon d'alimentation est endommagé, il doit être remplacé par le fabricant, son agent de réparation ou toute autre personne qualifiée afin d'éviter tout danger.
- Brancher sur une alimentation en eau potable uniquement.
- Cet appareil est destiné à un usage domestique et à d'autres usages similaires comme : coins cuisine réservés au personnel des boutiques, des bureaux et d'autres environnements professionnels; maisons d'hôtes, ainsi que par les clients d'hôtel, de motels et d'autres installations d'hébergement; gîtes touristiques; et banquets et autres utilisations non commerciales semblables.
- Ne pas entreposer de substances explosives comme des aérosols avec agent propulseur inflammable dans cet appareil.
- Ne pas utiliser de pièces de remplacement qui n'ont pas été recommandées par le fabricant (c.-à-d., pièces fabriquées à la maison à l'aide d'une imprimante 3D).
- Garder les événements à l'intérieur de l'enceinte de l'appareil ou de la structure encastrée exempte d'obstacles.
- Ne pas utiliser des appareils mécaniques ou autres moyens pour accélérer le processus de dégivrage, autre que ceux recommandés par le fabricant.
- Ne pas endommager le circuit réfrigérant.
- Ne pas utiliser des appareils électriques à l'intérieur des compartiments d'aliments de l'appareil, à moins qu'ils soient de type recommandé par le fabricant.
- L'ensemble de machine à glaçons peut être ajouté à certains modèles. Consulter la plaque signalétique située à l'intérieur du compartiment pour les aliments de l'appareil pour obtenir les informations concernant le modèle d'ensemble de machine à glaçons.
- L'installation de la canalisation d'eau et de la machine à glaçons doit être effectuée par un technicien de service qualifié. Consulter les instructions d'installation fournies avec l'ensemble de machine à glaçons pour tous les détails.

**CONSERVER CES INSTRUCTIONS**

## Mise au rebut du vieux réfrigérateur

**AVERTISSEMENT :** Un enfant peut rester piégé. Avant de jeter votre vieux réfrigérateur ou congélateur :

- Enlever les portes.
- Laisser les tablettes en place de sorte que les enfants ne puissent pas y pénétrer facilement.

### **AVERTISSEMENT**

**Risque de suffoquer**

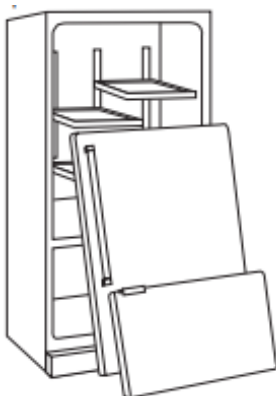
**Enlever les portes ou le couvercle de votre vieil appareil.**

**Le non-respect de cette instruction peut causer un décès ou des lésions cérébrales.**

**IMPORTANT :** Le risque qu'un enfant puisse se retrouver coincé et suffoquer n'est pas chose du passé. Les réfrigérateurs jetés ou abandonnés restent dangereux, même s'ils ne restent à l'extérieur que pour « quelques jours ». Si l'ancien réfrigérateur doit être mis au rebut, suivre les instructions suivantes afin d'éviter les accidents.

#### **Informations importantes à connaître pour l'élimination du liquide réfrigérant :**

Jeter le réfrigérateur conformément aux règlements fédéraux et locaux. Les liquides réfrigérants doivent être évacués par un technicien en réfrigération accrédité EPA, conformément aux procédures établies.



## ENTRETIEN ET RÉPARATION

### Nettoyage

#### **AVERTISSEMENT**



**Risque d'explosion**

**Risque d'incendie ou d'explosion.**

**Fluide frigorigène inflammable utilisé.**

**Ne pas utiliser d'appareils mécaniques pour dégivrer le réfrigérateur.**

**Ne pas perforer la tubulure de réfrigération.**

Les sections de réfrigération et de congélation se dégivrent automatiquement. Toutefois, nettoyer les deux compartiments environ une fois par mois afin d'éviter toute accumulation d'odeurs. Essuyer les renversements immédiatement.

#### **IMPORTANT :**

- Comme l'air circule entre les deux sections, toutes les odeurs formées dans une section seront transférées à l'autre. Les deux sections doivent être nettoyées avec soin pour éliminer les odeurs. Pour éviter le transfert d'odeurs et l'assèchement des aliments, envelopper ou recouvrir hermétiquement les aliments.
- Pour les modèles en acier inoxydable, l'acier inoxydable est résistant à la corrosion, mais non anticorrosion. Afin d'éviter l'oxydation de l'acier inoxydable, veiller à ce que les surfaces restent propres en suivant les instructions de nettoyage suivantes.

#### **Nettoyage du réfrigérateur :**

**REMARQUE :** Ne pas utiliser de nettoyeurs puissants ou abrasifs tels que les nettoyeurs à vitre en atomiseurs, nettoyeurs à récurer, liquides inflammables, acide chlorhydrique, cires nettoyantes, détergents concentrés, agents de blanchiment ou nettoyeurs contenant du pétrole sur les surfaces extérieures (portes et caisse de l'appareil), pièces en plastique, les garnitures intérieures et garnitures de portes ou sur les joints de portes. Ne pas utiliser d'essuie-tout, de tampons à récurer ou un autre outil de nettoyage abrasif.

1. Débrancher le réfrigérateur ou déconnecter la source de courant électrique.
2. Laver à la main, rincer et sécher les pièces amovibles et les surfaces internes soigneusement. Utiliser une éponge propre ou un linge doux et un détergent doux dans de l'eau tiède.
3. Nettoyer les surfaces extérieures.

**Métal peint :** Laver les parties métalliques extérieures à l'aide d'un chiffon doux ou d'une éponge douce et propre et d'un détergent doux dans de l'eau tiède. Rincer les surfaces avec une eau propre et tiède et sécher immédiatement afin d'éviter d'éventuelles taches laissées par l'eau.

**Acier inoxydable :** Laver les surfaces en acier inoxydable à l'aide d'un chiffon doux ou d'une éponge douce et propre et d'un détergent doux dans de l'eau tiède. Rincer les surfaces avec une eau propre et tiède et sécher immédiatement afin d'éviter d'éventuelles taches laissées par l'eau.

**REMARQUE :** Lors du nettoyage de l'acier inoxydable, toujours frotter dans le sens du grain afin d'éviter des égratignures.

## **⚠ AVERTISSEMENT**



### **Risque d'explosion**

**Risque d'incendie ou d'explosion causé par la perforation de la tubulure de réfrigération; suivre avec attention les instructions de manipulation.**

**Fluide frigorigène inflammable utilisé.**

4. Le condensateur n'a pas besoin d'être nettoyé souvent dans des conditions de fonctionnement domestique normales. Si l'environnement est particulièrement gras, poussiéreux ou s'il y a des animaux domestiques dans la maison, le condensateur devrait être nettoyé tous les 2 ou 3 mois pour assurer une efficacité maximum.

Si on doit nettoyer le condensateur :

- Éloigner le réfrigérateur du mur. Voir « Déballage du réfrigérateur ».
- Retirer la grille de la base.
- Nettoyer à l'aspirateur les serpentins lorsqu'ils sont sales ou poussiéreux.
- Replacer la grille de la base après avoir terminé.
- Rouler de nouveau le réfrigérateur en position. S'assurer qu'il y a un espace d'au moins 1 po (2,5 cm) entre l'arrière de la caisse et le mur.
- Vérifier l'aplomb du réfrigérateur.

5. Brancher le réfrigérateur ou reconnecter la source de courant électrique.

## **Remplacer le module à DEL**

**IMPORTANT :** Les lampes dans le réfrigérateur et le congélateur utilisent la technologie à DEL et n'ont pas besoin d'être remplacées.

Si un ou des modules DEL ne s'allument pas lorsqu'on ouvre la porte du réfrigérateur ou du congélateur, composer les numéros fournis pour assistance ou dépannage. Consulter le « Guide de démarrage rapide » pour les coordonnées.

## **Système de filtration de l'eau**

Le filtre à eau se trouve dans l'angle supérieur droit du compartiment de réfrigération.

Ne pas utiliser ce produit pour filtrer une eau microbiologiquement polluée ou de qualité inconnue en l'absence d'un dispositif de désinfection adéquat en amont ou en aval du système. Les systèmes certifiés pour la réduction des kystes peuvent être utilisés pour une eau désinfectée susceptible de contenir des kystes filtrables.

**IMPORTANT :** Le filtre à eau jetable doit être remplacé au moins tous les 6 mois. Si le débit d'eau au distributeur d'eau ou à la machine à glaçons diminue de façon marquée avant que 6 mois ne se soient écoulés, remplacer le filtre à eau plus souvent.

### **Témoins lumineux de l'état du filtre à eau**

Les témoins lumineux de l'état du filtre à eau indiqueront quand changer le filtre à eau. Lorsque le témoin Order (commander) est allumé, il est presque temps de changer le filtre à eau. Lorsque le témoin Replace (changer) est allumé, un nouveau filtre à eau doit être installé.

### **Réinstallation l'état du filtre à eau (sur certains modèles)**

Après remplacement du filtre à eau appuyer sur Filter Reset (réinitialisation du filtre) pendant 3 secondes jusqu'à ce que les témoins Order (commander) ou Replace (remplacer) s'éteignent. Voir la section « Utilisation des commandes » du guide d'utilisation.

### **Remplacer le filtre à eau**

Pour acheter des filtres eau de remplacement, modèle EDR4RXD1/EDR4RXD1B, UKF8001AXX-750 ou UKF8001AXX-200, communiquer avec le fournisseur ou composer le 1 800 253-1301 aux É.-U. ou le 1 800 807-6777 au Canada.

**IMPORTANT :** De l'air piégé dans le système d'alimentation en eau peut entraîner l'éjection de l'eau et du filtre. Toujours faire couler l'eau pendant au moins 2 minutes avant de retirer le filtre ou le bouchon de dérivation bleu.

1. Tourner le filtre dans le sens antihoraire pour le retirer.

**REMARQUE :** Il y aura peut-être de l'eau dans le filtre. Il est possible qu'il y ait un dégât d'eau. Utiliser une serviette pour essuyer tout renversement.

2. Retirer l'étiquette de scellement du filtre de rechange et insérer l'extrémité du filtre dans la tête du filtre.
3. Faire pivoter le filtre dans le sens horaire jusqu'à la butée d'arrêt. Fermer le couvercle du filtre en l'emboîtant.
4. Rincer le système de distribution d'eau. Voir la section « Distributeur d'eau ».

**REMARQUE :** La fonction du distributeur peut être utilisée sans qu'un filtre à eau soit installé. L'eau ne sera pas filtrée. Si on choisit cette option, remettre le filtre en place avec le bouchon de dérivation bleu.

## **Précautions à prendre avant les vacances ou le déménagement**

### **Vacances**

**Si le réfrigérateur est laissé en marche pendant une absence :**

1. Consommer toutes les denrées périssables et congeler les autres articles.
2. Si le réfrigérateur comporte une machine à glaçons automatique et qu'il est raccordé à la source d'approvisionnement en eau du domicile, fermer la source d'approvisionnement en eau du réfrigérateur. Des dommages matériels peuvent subvenir si l'alimentation en eau n'est pas coupée.
3. Si votre machine à glaçons est automatique, éteindre la machine à glaçons.

**REMARQUE :** Fermer le bras de commande d'arrêt en broche (vers le haut).

4. Vider le bac à glaçons.



**Si l'utilisateur choisit d'arrêter le réfrigérateur avant son absence :**

1. Enlever tous les aliments du réfrigérateur.
2. Si le réfrigérateur est équipé d'une machine à glaçons automatique :
  - Fermer l'approvisionnement en eau de la machine à glaçons au moins un jour à l'avance.
  - Lorsque la dernière quantité de glaçons est déposée, soulever le bras de commande en broche à la position Off (élevée).
3. Vider le bac à glaçons.
4. Éteindre la/les commande(s) de température. Voir la section « Utilisation des commandes » du guide d'utilisation rapide.
5. Nettoyer le réfrigérateur, l'essuyer et bien le sécher.
6. Tape rubber or wood blocks to the tops of both doors to prop them open far enough for air to get in. This stops odor and mold from building up.

### Déménagement

En cas de déménagement et de déplacement du réfrigérateur dans une nouvelle habitation, suivre ces étapes pour préparer le déménagement.

1. Si le réfrigérateur est équipé d'une machine à glaçons automatique :
  - Fermer l'approvisionnement en eau de la machine à glaçons au moins un jour à l'avance.
  - Débrancher la canalisation d'eau de l'arrière du réfrigérateur.
  - Lorsque la dernière quantité de glaçons est déposée, soulever le bras de commande en broche à la position Off (élevée).
2. Retirer tous les aliments du réfrigérateur et placer tous les aliments congelés dans de la neige carbonique.
3. Vider le bac à glaçons.
4. Éteindre la/les commande(s) de température. Voir la section « Utilisation des commandes » du guide d'utilisation rapide.
5. Débrancher le réfrigérateur.
6. Bien nettoyer, essuyer et sécher.
7. Retirer toutes les pièces amovibles, bien les envelopper et les attacher ensemble avec du ruban adhésif pour qu'elles ne bougent et ne s'entrechoquent pas durant le déménagement.
8. Selon le modèle, soulever l'avant du réfrigérateur pour qu'il roule plus facilement ou soulever les pieds de nivellement pour qu'ils n'égratignent pas le plancher. Voir les sections « Ajustement des portes » ou « Fermeture et alignement des portes » en ligne.
9. Fermer les portes à l'aide de ruban adhésif et fixer le cordon d'alimentation à la partie arrière du réfrigérateur.

Une fois arrivé à votre nouveau domicile, remettre tout en place et consulter les « instructions d'installation » pour des instructions sur la préparation de l'appareil. Si le réfrigérateur comporte une machine à glaçons automatique, ne pas oublier de rebrancher l'approvisionnement en eau au réfrigérateur.

# INSTRUCTIONS D'INSTALLATION

## Déballage du réfrigérateur

### **AVERTISSEMENT**

#### Risque de poids excessif

**Utiliser deux personnes ou plus pour déplacer et installer l'appareil.**

**Le non-respect de cette instruction peut causer une blessure au dos ou d'autres blessures.**

### Retrait des matériaux d'emballage

- Enlever tout résidu de ruban adhésif et de colle des surfaces avant de mettre en marche votre tiroir de réfrigération. Frotter une petite quantité de savon liquide à vaisselle sur l'adhésif avec les doigts. Rincer à l'eau tiède et sécher.
- Ne pas utiliser d'instruments coupants, d'alcool à friction, de liquides inflammables ou de nettoyeurs abrasifs pour enlever le ruban adhésif ou la colle. Ces produits peuvent endommager la surface du réfrigérateur. Pour plus de renseignements, voir la section « Sécurité du réfrigérateur ».
- Éliminer/recycler tous les matériaux d'emballage.

### Lors du déplacement du réfrigérateur :

Ce réfrigérateur est lourd. Lors du déplacement de ce réfrigérateur pour un nettoyage ou un entretien, veiller à recouvrir le plancher d'un carton ou panneau de fibre dur pour éviter de l'endommager. Toujours tirer le réfrigérateur tout droit lors du déplacement. Ne pas incliner le réfrigérateur d'un côté ou de l'autre ni le « faire marcher » en essayant de le déplacer, car le sol pourrait être endommagé.

### Nettoyage avant utilisation

Après avoir enlevé tous les matériaux d'emballage, nettoyer l'intérieur du réfrigérateur avant de l'utiliser. Voir les instructions de nettoyage dans la section « Entretien et nettoyage » du manuel d'utilisation.

### Informations importantes à propos des tablettes et des couvercles en verre :

Ne pas nettoyer les tablettes ou les couvercles de verre avec de l'eau tiède lorsqu'ils sont froids. Les tablettes et couvercles peuvent se briser s'ils sont exposés à un changement de températures ou impact soudain, tel qu'une chute. Le verre trempé est conçu pour se briser en de multiples petits morceaux de la taille de gravillons. Ceci est normal. Les tablettes en verre et les couvercles sont lourds. Employer les deux mains lorsqu'on les retire afin d'éviter de les faire tomber.

## Spécifications électriques

### ⚠ AVERTISSEMENT



#### Risque de décharge électrique

Brancher l'appareil sur une prise à 3 alvéoles reliée à la terre.

Ne pas enlever la prise de liaison à la terre.

Ne pas utiliser d'adaptateur.

Ne pas utiliser de rallonge.

Le non-respect de ces instructions peut causer un décès, un incendie ou une décharge électrique.

Avant de placer le réfrigérateur à son emplacement final, il est important de s'assurer d'avoir la connexion électrique appropriée.

Si le cordon d'alimentation est endommagé, il doit être remplacé par le fabricant, son agent de service ou toute autre personne également qualifiée. Ne pas utiliser un cordon craquelé ou qui présente des dommages d'abrasion sur la gaine, la fiche ou le connecteur.

#### Méthode recommandée de liaison à la terre

Un circuit de 115 V CA à 60 Hz relié à la terre et protégé par un fusible de 15 A ou 20 A est requis. On recommande que le réfrigérateur et les accessoires approuvés soient alimentés par un circuit indépendant. Utiliser une prise de courant dont l'alimentation ne peut pas être interrompue par un interrupteur. Ne pas utiliser de rallonge.

**REMARQUE :** Avant de procéder à tout type d'installation, de nettoyage ou de changement d'ampoule, mettre le réfrigérateur à l'arrêt. Selon le modèle, tourner la commande du réfrigérateur vers OFF (arrêt) ou appuyer sur la flèche vers le bas du réfrigérateur jusqu'à ce qu'un tiret (-) apparaisse sur l'affichage du réfrigérateur, comme illustré. Déconnecter le réfrigérateur de la source de courant électrique. Une fois l'opération terminée, reconnecter le réfrigérateur à la source de courant électrique et remettre la commande de température au réglage désiré. Consulter le « Guide de démarrage rapide ».

## Exigences d'emplacement

### ⚠ AVERTISSEMENT



#### Risque d'explosion

Garder les matières et les vapeurs inflammables, telles que l'essence, à l'écart de l'appareil.

Utiliser un produit de nettoyage ininflammable.

Le non-respect de ces instructions peut causer un décès, une explosion ou un incendie.

**IMPORTANT :** Ce réfrigérateur est conçu pour un usage domestique, à l'intérieur uniquement.

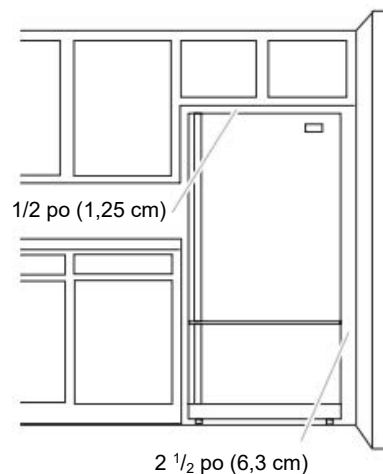
Cet appareil est destiné à un usage domestique et à d'autres usages similaires comme :

- espace de cuisine pour personnel de boutiques, bureaux et autres environnements professionnels;
- résidences fermières et utilisation par les clients d'hôtels, de motels et d'autres types de résidences;
- environnements de type chambres d'hôtes;
- banquets et autres utilisations non commerciales semblables.

Pour obtenir une aération appropriée pour le réfrigérateur, laisser un espace de 1/2 po (1,25 cm) de chaque côté et au sommet. Laisser un espace de

1 po (2,54 cm) derrière le réfrigérateur. Si le réfrigérateur comporte une machine à glaçons, s'assurer qu'un espace additionnel est prévu à l'arrière pour permettre les raccordements des conduits d'eau. En cas d'installation du réfrigérateur près d'un mur fixe, laisser un minimum de 2 1/2 po (6,3 cm) du côté de la charnière (certains modèles nécessitent davantage d'espace) pour permettre à la porte de s'ouvrir sans obstruction.

**REMARQUE :** Ce réfrigérateur est conçu pour être utilisé dans un endroit où la température est comprise entre un minimum de 55 °F (13 °C) et un maximum de 110 °F (43 °C). La plage de température ambiante idéale pour un rendement optimal est comprise entre 60 °F (15 °C) et 90 °F (32 °C). Respecter cette plage de température permet aussi de réduire la consommation d'électricité et d'optimiser l'efficacité du refroidissement. Il est recommandé de ne pas installer le réfrigérateur près d'une source de chaleur comme un four ou un radiateur.



## Spécifications de l'alimentation en eau

Rassembler les outils et pièces nécessaires avant d'entreprendre l'installation. Lire et observer les instructions fournies avec chacun des outils de la liste ci-dessous.

### Outils requis :

- Tournevis à tête plate
- Tourne-écrou de 1/4 po
- Clés plates de 7/16 po et 1/2 po
- Foret de 1/4 po
- ou deux clés à molette
- Perceuse sans fil

### IMPORTANT :

- Raccorder à la canalisation d'arrivée d'eau potable uniquement.  
Ne pas utiliser ce produit pour filtrer une eau microbiologiquement polluée ou de qualité inconnue en l'absence d'un dispositif de désinfection adéquat en amont ou en aval du système. Les systèmes certifiés pour la réduction des kystes peuvent être utilisés pour une eau désinfectée susceptible de contenir des kystes filtrables.
- Toutes les installations doivent être conformes aux exigences des codes locaux de plomberie.
- Ne pas employer de robinet d'arrêt à étrier de 3/16 po (4,76 mm) ou de type à percer – ils réduisent le débit d'eau et s'obstruent plus facilement.
- Utiliser un tuyau en cuivre et vérifier qu'il n'y a pas de fuite. Installer seulement des tuyaux en cuivre là où les températures resteront au-dessus du point de congélation.
- Pour les modèles avec filtre à eau, le filtre à eau jetable doit être remplacé au moins tous les 6 mois.

### Pression d'eau

Une alimentation en eau froide avec une pression entre 35 lb/po<sup>2</sup> et 120 lb/po<sup>2</sup> (241 kPa et 827 kPa) est nécessaire pour faire fonctionner le distributeur d'eau et la machine à glaçons. Pour toute question au sujet de la pression de l'eau, faire appel à un plombier qualifié agréé.

### Alimentation en eau par osmose inverse

**IMPORTANT :** La pression de l'alimentation en eau entre le système d'osmose inverse et le robinet d'arrivée d'eau du réfrigérateur doit être entre 35 lb/po<sup>2</sup> et 120 lb/po<sup>2</sup> (241 kPa à 827 kPa).

Si un système de filtration de l'eau par osmose inverse est raccordé à votre alimentation en eau froide, la pression de l'eau au système doit être d'un minimum de 40 lb/po<sup>2</sup> à 60 lb/po<sup>2</sup> (276 kPa à 414 kPa).

Si la pression d'eau au système de filtration par osmose inverse est inférieure à 40 lb/po<sup>2</sup> à 60 lb/po<sup>2</sup> (276 kPa à 414 kPa) :

**IMPORTANT :** Purger le circuit d'eau avant de calibrer le Measured Fill (remplissage mesuré). Voir la section « Rincer le système de distribution d'eau » du manuel d'utilisation.

Pour toute question au sujet de la pression de l'eau, faire appel à un plombier qualifié agréé.

## Raccordement à la canalisation d'eau

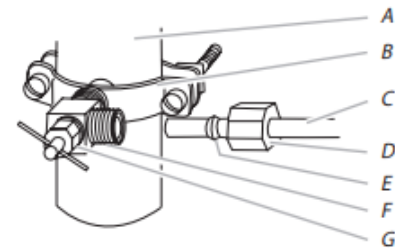
Lire toutes les instructions avant de commencer.

### IMPORTANT :

- Réaliser l'installation de plomberie conformément aux prescriptions du International Plumbing Code et des normes et codes locaux en vigueur.
- Le tuyau d'eau situé à l'arrière du réfrigérateur (et utilisé pour raccorder l'appareil à la canalisation d'eau du domicile) est un tuyau en polyéthylène réticulé. Il est possible d'utiliser des raccords en cuivre et en polyéthylène réticulé pour le raccordement de la canalisation d'eau du domicile au réfrigérateur; ils contribuent à éviter que l'eau ait un goût ou une odeur désagréable. Vérifier qu'il n'y a pas de fuites. Si on utilise un tuyau en polyéthylène réticulé au lieu d'un tuyau de cuivre, nous recommandons de communiquer avec le service pour obtenir les numéros de pièces actuels.
- Installer des tuyaux seulement là où les températures resteront au-dessus du point de congélation.
- Si on met en marche le réfrigérateur avant que la canalisation d'eau ne soit raccordée, éteindre la machine à glaçons pour éviter tout bruit excessif ou éviter d'endommager le robinet d'eau.

### Raccordement à la canalisation d'eau

1. Débrancher le réfrigérateur ou déconnecter la source de courant électrique.
2. Couper l'alimentation principale en eau. Ouvrir le robinet le plus proche assez longtemps pour vider l'eau du tuyau.
3. Trouver une canalisation d'eau froide verticale de 1/2 po à 1 1/4 po (12,7 mm à 31,8 mm) à proximité du réfrigérateur.
4. Déterminer la longueur de la canalisation en cuivre à utiliser. Mesurer depuis le point de connexion (angle inférieur arrière droit du réfrigérateur) et la canalisation d'eau. Ajouter 7 pi (2,1 m) pour permettre les opérations de nettoyage. Utiliser une canalisation en cuivre ou en polyéthylène réticulé de 1/4 po (6,35 mm) de diamètre extérieur. Veiller à ce que la canalisation en cuivre ou en polyéthylène réticulé soit coupée d'équerre aux deux extrémités.
5. À l'aide d'une perceuse sans fil, percer un trou de 1/4 po (6,35 mm) dans la canalisation d'eau froide sélectionnée.



- A. Canalisation d'eau froide
- B. Bride de tuyau
- C. Tuyau en cuivre ou en polyéthylène réticulé
- D. Écrou de compression
- E. Virole de compression
- F. Robinet d'arrêt
- G. Écrou de presse-étoupe

6. Fixer le robinet d'arrêt sur la canalisation d'eau froide avec la bride de tuyau. Veiller à bien insérer l'extrémité de sortie dans le trou de 1/4 po (6,35 mm) de la canalisation d'eau; veiller à placer correctement le joint sous la bride du tuyau. Serrer l'écrou de serrage. Serrer lentement et uniformément les vis fixant la bride de tuyau sur le tuyau afin d'assurer l'étanchéité du joint. Ne pas serrer excessivement.

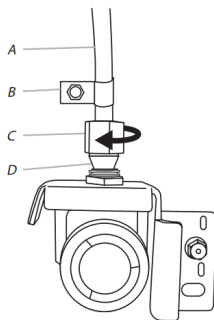
- Enfiler la bague et l'écrou de compression sur la canalisation en cuivre comme illustré. Insérer l'extrémité de la canalisation directement dans l'extrémité de sortie, aussi loin que possible. Visser l'écrou de compression sur l'extrémité de sortie du raccord à l'aide d'une clé à molette. Ne pas serrer excessivement, car ceci pourrait provoquer l'écrasement de la canalisation en cuivre.
- Placer le bout libre de la canalisation dans un contenant ou évier et ouvrir le robinet principal d'alimentation en eau. Laisser l'eau s'écouler par la canalisation jusqu'à ce qu'elle soit limpide. Fermer le robinet d'arrêt de la canalisation d'eau.

### Raccordement au réfrigérateur

Selon le modèle, la canalisation d'eau peut être orientée de bas en haut ou de haut en bas. Appliquer les instructions de raccordement appropriées au modèle.

#### Style 1

- Ôter le bouchon de plastique de l'orifice d'entrée d'eau. Raccorder la canalisation en cuivre au robinet d'arrivée d'eau à l'aide d'un écrou et d'une bague de compression, comme illustré. Serrer l'écrou de compression. Ne pas serrer excessivement. Vérifier la solidité du raccordement en tirant sur la canalisation en cuivre.
- Créer une boucle de service avec la canalisation en cuivre. Éviter de déformer le tube en l'enroulant. Fixer la canalisation en cuivre ou en polyéthylène réticulé à la caisse du réfrigérateur à l'aide d'un collier en P.



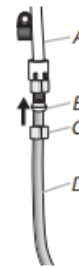
- |  |                          |
|--|--------------------------|
| A. Tuyau en cuivre ou en polyéthylène réticulé | C. Écrou de compression  |
| B. Collier en P                                | D. Virole de compression |

- Ouvrir l'arrivée d'eau alimentant le réfrigérateur et vérifier l'absence de fuites. Éliminer toute fuite détectée.

#### Style 2

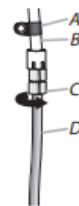
- Créer une boucle de service (diamètre minimum de 2 pi [61 cm]) avec la canalisation en cuivre ou en polyéthylène réticulé. Éviter de déformer le tube en l'enroulant.
- Ôter le capuchon de plastique de l'orifice d'entrée d'eau. Placer un écrou et un manchon à compression sur la canalisation en cuivre ou en polyéthylène réticulé.
- Insérer l'extrémité de la canalisation en cuivre ou en polyéthylène réticulé dans l'orifice d'entrée d'eau. Mettre doucement en forme la canalisation de façon à ce qu'elle pénètre directement dans l'orifice afin d'éviter les déformations.

- Faire glisser l'écrou de compression sur le manchon et le visser sur l'orifice d'entrée d'eau.



- |  |  |
|--|--|
| A. Canalisation d'eau en polyéthylène réticulé | C. Écrou de compression                        |
| B. Gaine                                       | D. Tuyau en cuivre ou en polyéthylène réticulé |

- À l'aide d'une clé à molette, immobiliser l'écrou sur la canalisation d'eau en plastique pour l'empêcher de se déplacer. Puis, à l'aide d'une deuxième clé, tourner l'écrou de compression sur la canalisation en cuivre dans le sens antihoraire pour serrer complètement. Ne pas serrer excessivement.



- |   |                         |
|---|-------------------------|
| A. Collier en P                         | C. Écrou de compression |
| B. Tuyau d'eau en polyéthylène réticulé | D. Tube de cuivre       |

- Vérifier le raccordement en tirant sur la canalisation. Fixer la canalisation d'eau en polyéthylène réticulé à la caisse du réfrigérateur à l'aide d'une bride en P.
- Ouvrir l'arrivée d'eau alimentant le réfrigérateur et vérifier l'absence de fuites. Éliminer toute fuite détectée.

## Terminer l'installation

# ⚠ AVERTISSEMENT



### Risque de décharge électrique

**Brancher l'appareil sur une prise à 3 alvéoles reliée à la terre.**

**Ne pas enlever la prise de liaison à la terre.**

**Ne pas utiliser d'adaptateur.**

**Ne pas utiliser de rallonge.**

**Le non-respect de ces instructions peut causer un décès, un incendie ou une décharge électrique.**

1. Brancher l'appareil dans une prise à 3 alvéoles reliée à la terre.

**REMARQUE :** Prévoir un délai de 24 heures pour la production du premier lot de glaçons. Jeter les trois premiers lots de glaçons produits. Prévoir un délai de 3 jours pour le remplissage complet du bac d'entreposage.

2. Rincer le système de distribution d'eau. Voir la section « Distributeurs d'eau et de glaçons ».

## CARACTÉRISTIQUES DU RÉFRIGÉRATEUR

### Réglage de l'humidité dans le tiroir à légumes

Le degré d'humidité dans le bac à légumes étanche peut être contrôlé. Selon le modèle, la commande peut être placée à n'importe quel réglage entre Fruit (fruit) et Vegetables (légumes) ou Low (faible) et High (élevé).

- Fruit/Low (fruit/faible) (ouvert) pour une meilleure conservation des fruits et légumes à pelures.
- Vegetables/High (légumes/élevé) (fermé) pour une meilleure conservation des légumes à feuilles frais.

Pour obtenir de l'information sur les caractéristiques supplémentaires de l'appareil, consulter le « Guide de fonctions » en ligne.

## Machine à glaçons et bac d'entreposage à glaçons (sur certains modèles)

### Taux de production des glaçons

Prévoir un délai de 24 heures pour la production du premier lot de glaçons. Jeter les trois premiers lots de glaçons produits.

Prévoir un délai de 3 jours pour le remplissage complet du bac d'entreposage. La machine à glaçons devrait produire approximativement 3 lb (1,4 kg) (8 à 12 lots) de glaçons au cours d'une période de 24 heures.

Pour augmenter la production de glaçons, diminuer la température du congélateur et du réfrigérateur, ou consulter la section « Description du panneau de commande » du guide de démarrage rapide pour obtenir des détails. Attendre 24 heures entre les réglages.

### Machine à glaçons dans le congélateur

#### Mise en marche/arrêt de la machine à glaçons :

#### Mise en marche/arrêt de la machine à glaçons sans interrupteur :

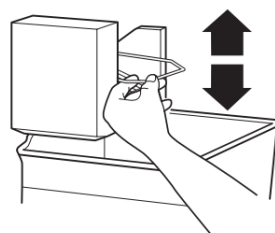
Pour mettre la machine à glaçons en marche, il suffit d'abaisser le bras de commande métallique.

Pour éteindre manuellement la machine à glaçons, soulever le bras de commande à d'arrêt métallique à la position Off (arrêt/position haute) et attendre l'émission d'un clic.

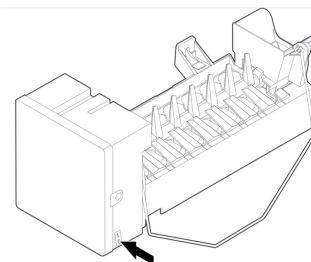
La machine à glaçons comporte un système d'arrêt automatique. Au fur et à mesure de la production, les glaçons remplissent le bac d'entreposage. Les glaçons soulèvent le bras de commande métallique jusqu'à ce qu'il atteigne la position Off (arrêt/position haute). Ne pas forcer le bras de commande à broche métallique vers le haut ou vers le bas.

#### Pour les machines à glaçons avec interrupteur :

Pour les machines à glaçons avec interrupteur, utiliser l'interrupteur pour mettre en marche/arrêter la machine à glaçons.



Sans interrupteur



Avec interrupteur

**REMARQUE :** Éteindre la machine à glaçons avant de retirer le bac d'entreposage pour servir des glaçons ou pour nettoyer le bac. Ceci empêchera les glaçons de tomber de la machine à glaçons et dans le compartiment de congélation. Après avoir remplacé le bac d'entreposage, mettre en marche la machine à glaçons.

Nettoyer le bac à glaçons au savon doux et à l'eau tiède.

Insérer le bac à glaçons sous la machine à glaçons et le pousser aussi loin que possible.

# INSTRUCTIONS POUR LA PORTE ET LA POIGNÉE

## Portes et tiroir du réfrigérateur

**OUTILS REQUIS :** Clé à douille à tête hexagonale de 5/16 po, 3/8 po et 1/4 po, un Tournevis Torx T20, un tournevis cruciforme no 2 et un tournevis à lame plate

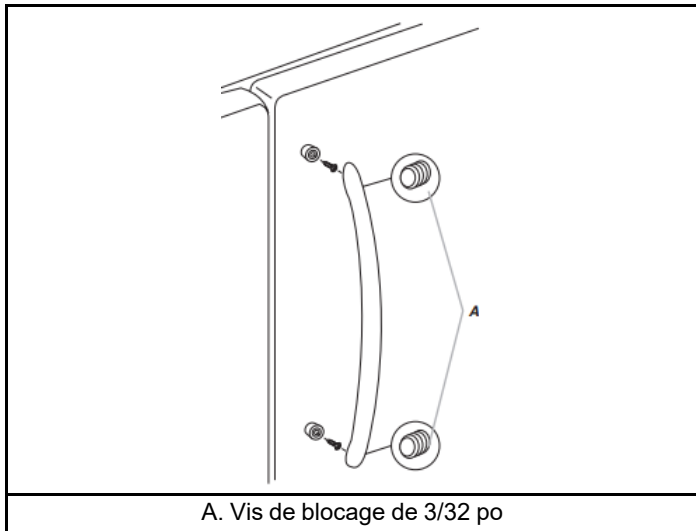
### IMPORTANT :

- Ce réfrigérateur peut être muni d'une porte réversible normale avec une porte ou un tiroir de congélateur ou des portes à double battant. Suivre les instructions suivantes selon le style de porte du modèle.
- Si on souhaite seulement enlever et réinstaller les portes, voir les sections « Démontage – Portes et charnières » et « Réinstallation – Portes et charnières ».
- Avant de commencer, tourner la commande du réfrigérateur à Off (arrêt) et retirer les aliments et tout balconnet ajustable ou compartiment utilitaire des portes.

## Consulter la section Retrait et réinstallation des poignées de porte

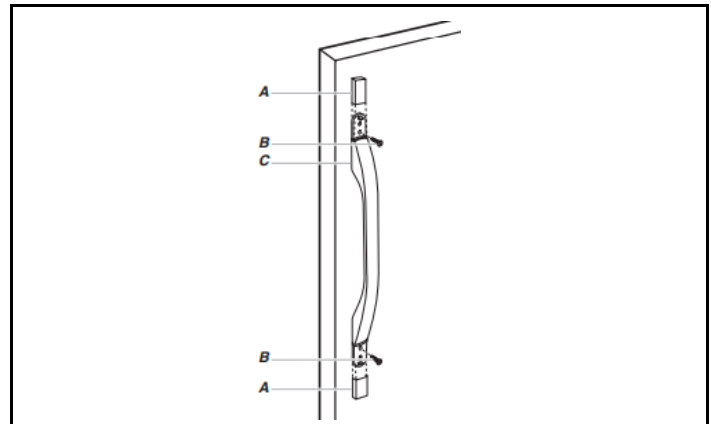
### POIGNÉES DE PORTE DU RÉFRIGÉRATEUR

#### Poignées de porte du réfrigérateur (style 1)



- Desserrer les deux vis de blocage situées sur le côté de chaque poignée à l'aide d'une clé hexagonale de 3/32 po ou 1/8 po. Tirer sur la poignée tout droit pour l'extraire du tiroir. Veiller à conserver les vis pour la réinstallation des poignées.
- Pour remettre les poignées en place, inversion les directions.

#### Poignées de porte du réfrigérateur (style 2)



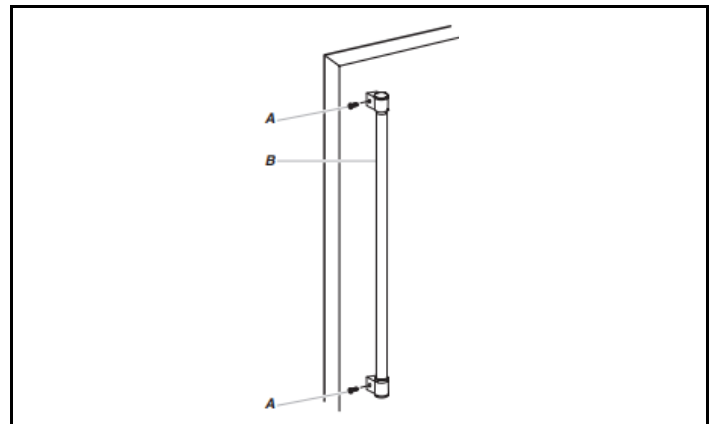
A. Garniture de poignée

C. Poignée de porte du réfrigérateur

B. Vis de poignée à tête plate

- Enlever le couvre-vis.
- Enlever la poignée de porte. Conserver toutes les pièces ensemble.
- Pour remettre les poignées en place, inversion les directions.

#### Poignées de porte du réfrigérateur (style 3)



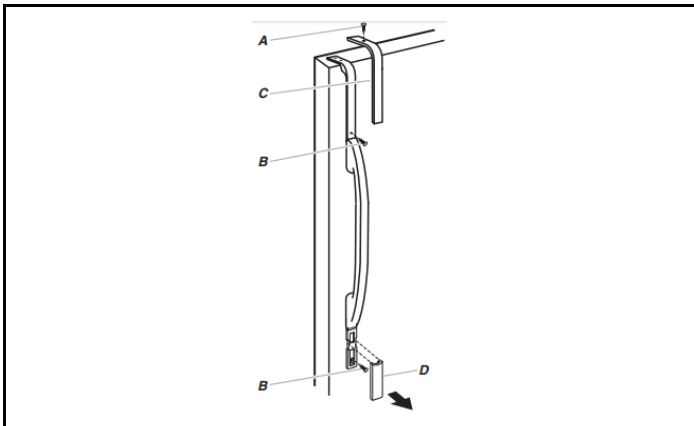
A. Vis de poignée à tête plate

B. Poignée de porte du réfrigérateur

- Desserrer les deux vis de blocage situées sur le côté de chaque poignée à l'aide d'une clé hexagonale de 3/32 po ou 1/8 po. Tirer sur la poignée tout droit pour l'extraire du tiroir. Veiller à conserver les vis pour la réinstallation des poignées.
- Pour remettre les poignées en place, inversion les directions.



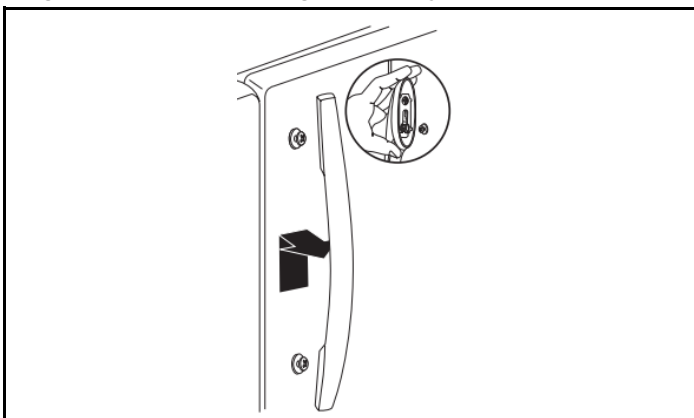
### Poignées de porte du réfrigérateur (style 4)



A. Vis de la garniture	C. Garniture supérieure
B. Vis de poignée	D. Garniture inférieure

- Pour retirer la poignée, enlever la vis qui fixe la garniture à l'extrémité supérieure de la poignée. À l'aide d'un tournevis à tête plate enveloppée dans du ruban masqué, soulever la pièce de garniture de l'extrémité inférieure de la poignée. Enlever ensuite les vis retenant la poignée à la porte.
- Pour remettre la poignée en place, suivre ces étapes en ordre inverse.

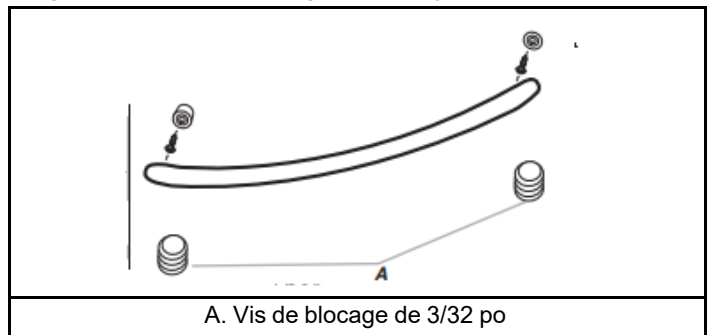
### Poignées de porte du réfrigérateur (style 5)



- Pour retirer la poignée, saisir fermement la partie inférieure de la poignée, faire glisser la poignée vers le haut puis la retirer en la dégageant de la porte en ligne droite.
- Pour réinstaller la poignée, la positionner de façon à ce que les gros trous des agrafes de montage soient orientés vers le bas puis aligner les trous avec les goujons de porte. Faire pivoter la poignée de façon à ce que les agrafes de montage reposent à plat contre la porte et faire glisser la poignée vers le bas pour l'insérer.

### POIGNÉES DE LA PORTE DU CONGÉLATEUR

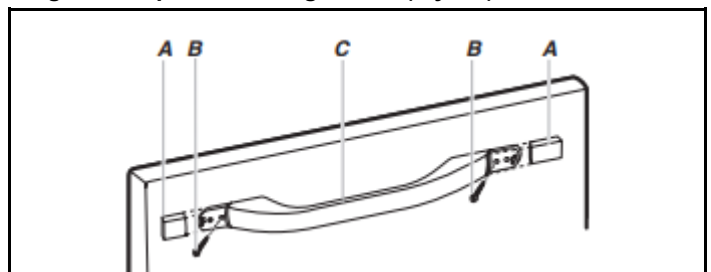
#### Poignées de porte du réfrigérateur (style 1)



A. Vis de blocage de 3/32 po

- Desserrer les deux vis de blocage situées sur le côté de chaque poignée à l'aide d'une clé hexagonale de 3/32 po ou 1/8 po. Tirer sur la poignée tout droit pour l'extraire du tiroir. Veiller à conserver les vis pour la réinstallation des poignées.
- Pour remettre les poignées en place, inversion les directions.

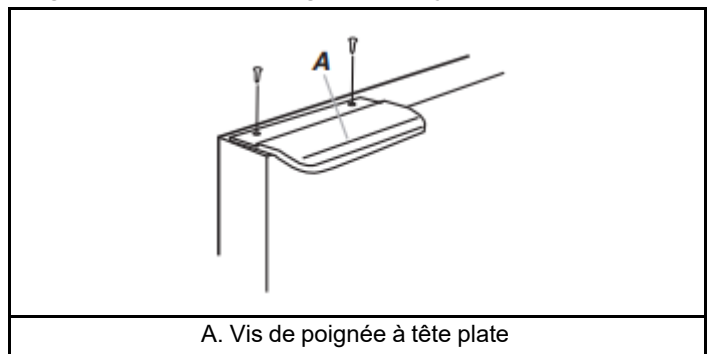
#### Poignées de porte du réfrigérateur (style 2)



A. Garniture de poignée	C. Poignée du tiroir du congélateur
B. Vis de poignée à tête plate	

- Enlever le couvre-vis.
- Enlever la poignée de porte. Conserver toutes les pièces ensemble.
- Pour remettre les poignées en place, inversion les directions.

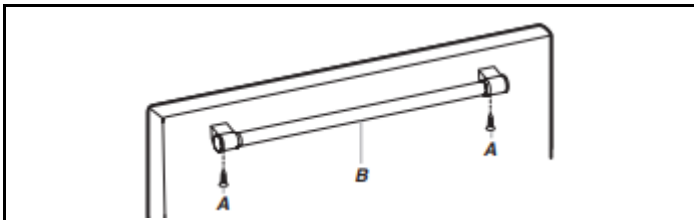
#### Poignées de porte du réfrigérateur (style 3)



A. Vis de poignée à tête plate

- Retirer les vis et la poignée.
- Pour remettre la poignée en place, suivre ces étapes en ordre inverse.

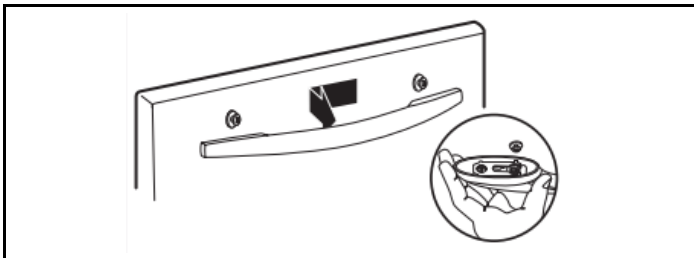
### Poignées de porte du réfrigérateur (style 4)



A. Vis à tête plate	B. Poignée du tiroir du congélateur
---------------------	-------------------------------------

- Retirer les vis et la poignée.
- Pour remettre les poignées en place, inversion les directions.

### Poignées de porte du réfrigérateur (style 5)



- Pour retirer la poignée, saisir fermement la partie inférieure de la poignée, faire glisser la poignée vers le haut puis la retirer en la dégageant de la porte en ligne droite.
- Pour réinstaller la poignée, la positionner de façon à ce que les gros trous des agrafes de montage soient orientés vers le bas puis aligner les trous avec les goujons de porte. Faire pivoter la poignée de façon à ce que les agrafes de montage reposent à plat contre la porte et faire glisser la poignée vers le bas pour l'insérer.

## Démontage des portes et charnières

### PORTE STANDARD



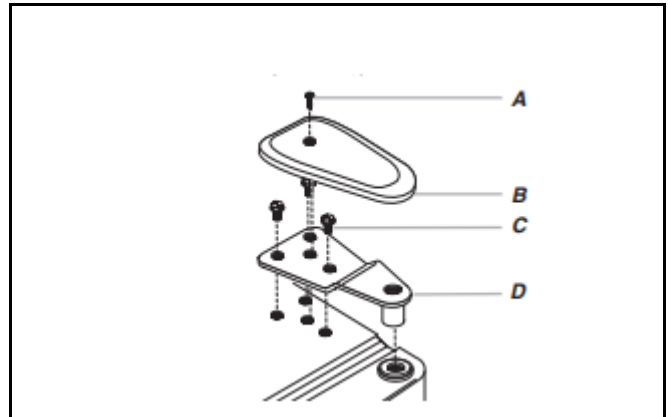
Vis de charnière supérieure à tête hexagonale

#### Porte standard – modèles avec tiroir de congélateur

1. Débrancher le réfrigérateur ou déconnecter la source de courant électrique
2. Laisser le réfrigérateur fermé jusqu'au moment de le soulever de la caisse.

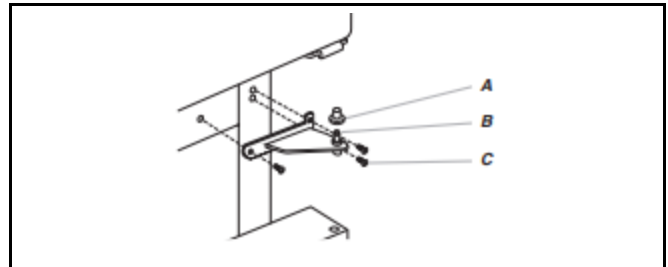
**REMARQUE :** Prévoir un support additionnel des portes pendant le déplacement des charnières. La force d'attraction des aimants de la porte ne suffit pas à la maintenir en place pendant la manutention.

3. Retirer les pièces de la charnière supérieure comme illustré ci-dessous. Soulever la porte du réfrigérateur pour la séparer de la caisse.



A. Vis du couvre-charnière	C. Vis de charnière à tête hexagonale de 5/16 po
B. Couvre-charnière supérieur	D. Charnière supérieure

4. Retirer les pièces de la charnière inférieure comme illustré ci-dessous.



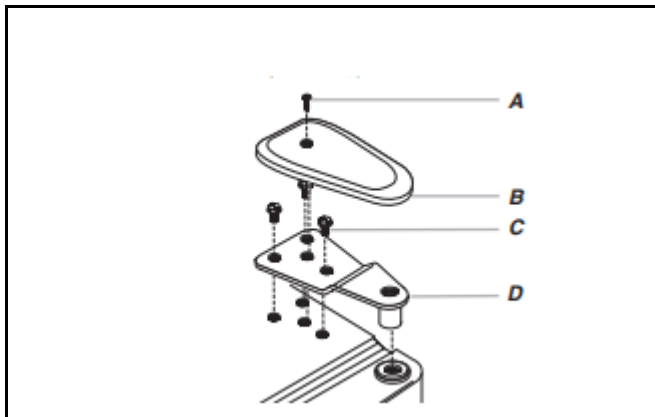
A. Couvercle d'axe de charnière	C. Vis de charnière
B. Charnière inférieure	

#### Modèle avec porte de congélateur

1. Débrancher le réfrigérateur ou déconnecter la source de courant électrique.
2. Laisser la porte du congélateur fermée jusqu'au moment de la soulever pour la dégager de la caisse.

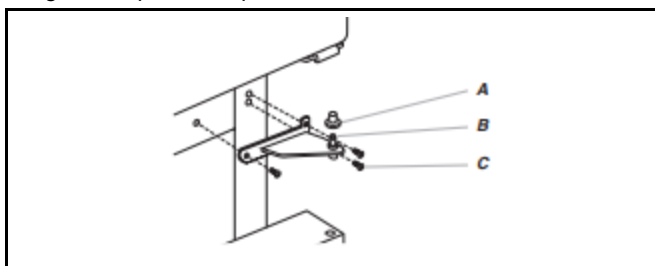
**REMARQUE :** Prévoir un support additionnel des portes pendant le déplacement des charnières. La force d'attraction des aimants de la porte ne suffit pas à la maintenir en place pendant la manutention.

3. Retirer les pièces de la charnière supérieure comme illustré ci-dessous. Soulever la porte du réfrigérateur pour la séparer de la caisse.



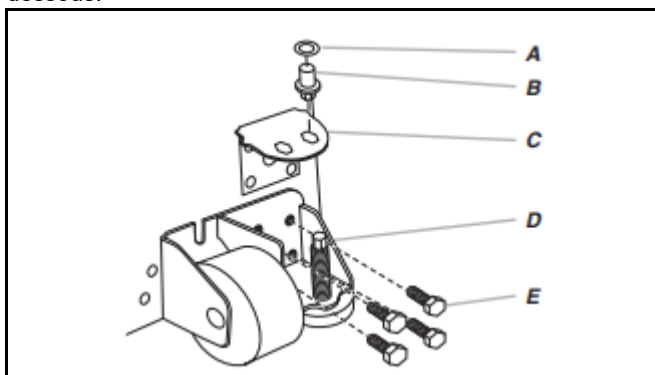
A. Vis du couvre-charnière	C. Vis de charnière à tête hexagonale de 5/16 po
B. Couvre-charnière supérieur	D. Charnière supérieure

4. Enlever l'axe de la charnière centrale et les vis de la charnière comme indiqué sur l'image ci-dessous. Soulever la porte du congélateur pour la séparer de la caisse.



A. Couvercle d'axe de charnière	C. Vis de charnière
B. Charnière centrale	

5. Retirer la grille de la base en la saisissant fermement à deux mains et en la tirant vers soi.  
6. Retirer les pièces de la charnière inférieure comme illustré ci-dessous.



A. Cale d'axe de charnière	D. Bride du déflecteur
B. Charnière inférieure	E. Vis de charnière à tête hexagonale de 3/8 po
C. Plaque de charnière	

## ⚠ AVERTISSEMENT



### Risque de décharge électrique

**Déconnecter la source de courant électrique avant d'enlever les portes.**

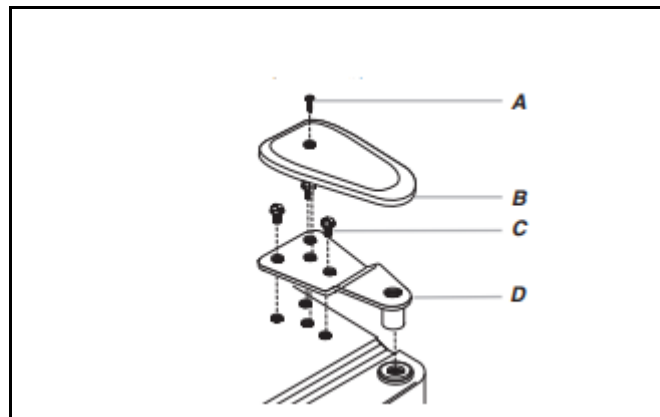
**Le non-respect de cette instruction peut causer un décès ou une décharge électrique.**

### PORTES À DOUBLE BATTANT

1. Débrancher le réfrigérateur ou déconnecter la source de courant électrique.
2. Laisser les portes du réfrigérateur fermées jusqu'au moment de les détacher de la caisse.

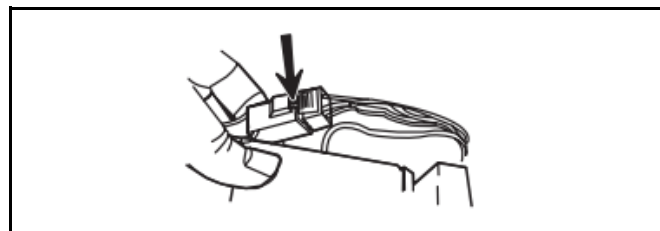
**REMARQUE :** Prévoir un support supplémentaire pour la porte du réfrigérateur pendant le retrait des charnières. La force d'attraction des aimants de la porte ne suffit pas à la maintenir en place pendant la manutention

3. En commençant par la porte du côté droit, ôter les pièces de la charnière supérieure – voir l'illustration des charnières supérieures. Soulever la porte du réfrigérateur de l'axe de la charnière inférieure.



A. Vis du couvre-charnière	C. Vis de charnière à tête hexagonale de 5/16 po
B. Couvre-charnière supérieur	D. Charnière supérieure

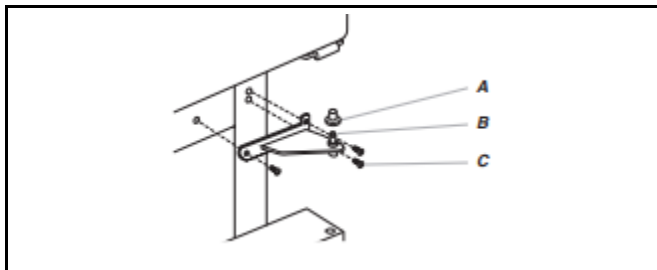
4. Ôter le couvercle d'axe de charnière de l'axe de la charnière inférieure et le conserver pour utilisation ultérieure.
5. Avant de retirer la porte du côté gauche, déconnecter la prise de câbles située sur la partie supérieure de la charnière supérieure en coinçant un tournevis à tête plate ou un ongle entre les deux sections.



**REMARQUE :** Les conducteurs vert et de liaison à la terre restent fixés à la charnière.

- Enlever les pièces de la charnière du côté gauche de la charnière supérieure, comme indiqué dans l'illustration de l'étape 3. Soulever la porte de l'axe de la charnière inférieure.

**REMARQUE :** Ôter le couvercle d'axe de charnière de l'axe de la charnière inférieure et le conserver pour utilisation ultérieure.



A. Couvercle d'axe de charnière

C. Vis de charnière

B. Charnière inférieure

## Inversion des portes (facultatif)

**IMPORTANT :** Si on souhaite inverser le sens d'ouverture d'une porte pour pouvoir l'ouvrir du côté opposé, procéder comme suit. S'il n'est pas nécessaire de changer l'orientation de la porte, voir la section « Réinstallation – porte et charnières ».



Vis de butée de porte



Vis de scellement de poignée de la porte – avant



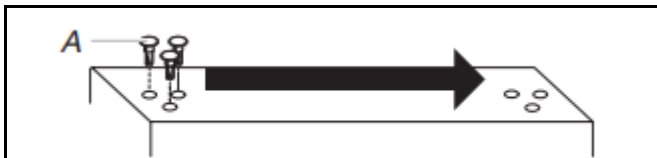
Vis de poignée à tête plate



Bouchon obturateur du trou de charnière de la caisse

### Caisse

- Enlever les vis de charnière du côté poignée et les transférer du côté opposé.

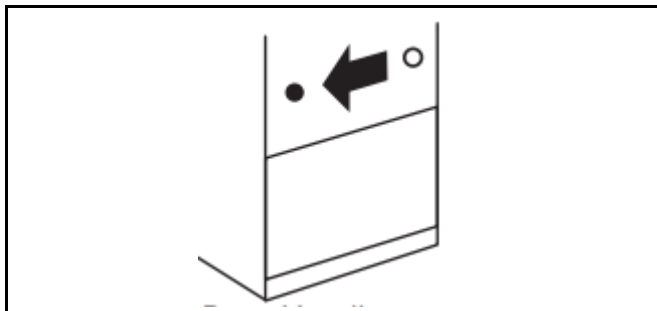


A. Vis de charnière à tête hexagonale de 5/16 po

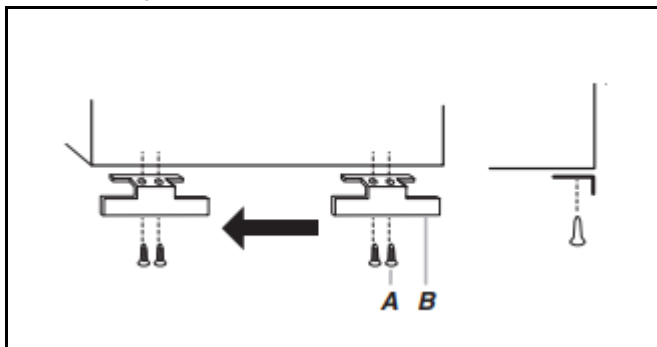
### Porte du réfrigérateur

- Enlever la poignée de porte du réfrigérateur comme illustré ci-dessous. Consulter la section « Retrait et réinstallation des poignées de porte ». Conserver toutes les pièces ensemble.

- Enlever l'avant de la vis d'obturation de la poignée de porte. La transférer du côté opposé du réfrigérateur comme illustré ci-dessous.



- Enlever la butée de porte. La transférer du côté opposé de la porte du réfrigérateur comme illustré ci-dessous.



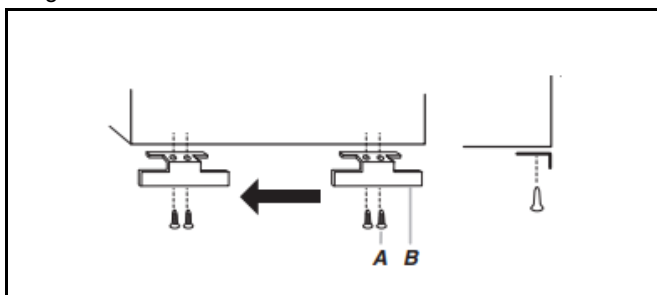
A. Vis de butée de porte

B. Butée de porte

- Fixer la poignée de porte du réfrigérateur sur le côté opposé de la porte à l'aide des deux vis. Replacer la garniture de poignée. Consulter la section « Retrait et réinstallation des poignées de porte ».
- Serrer toutes les vis. Conserver la porte à part jusqu'à la mise en place des charnières et du tiroir de congélateur.

### Porte du congélateur

- Enlever la poignée de porte du congélateur comme illustré ci-dessous. Consulter la section « Retrait et réinstallation des poignées de porte ». Conserver toutes les pièces ensemble.
- Enlever la butée de porte. La transférer du côté opposé du congélateur comme illustré ci-dessous.



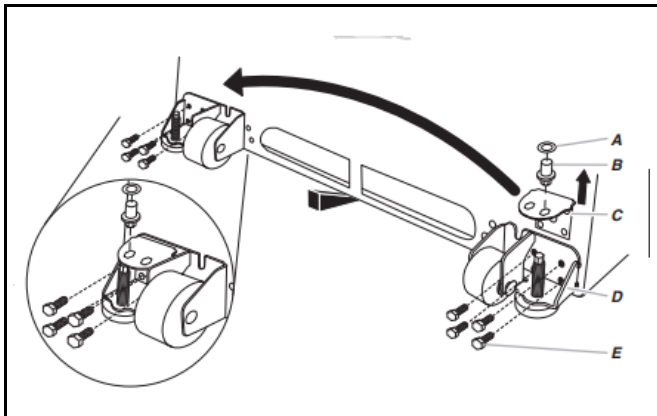
A. Vis de butée de porte

B. Butée de porte

3. Fixer la poignée du côté opposé de la porte du congélateur.
4. Serrer toutes les vis. Mettre la porte de côté.
5. Retirer la grille de la base en la saisissant fermement à deux mains et en la tirant vers soi.

**REMARQUE :** Placer une cale sous la rive inférieure avant de la caisse du réfrigérateur pour libérer le poids des brides de roulettes.

6. Ôter les vis des deux brides de roulettes, comme illustré ci-dessous.
7. Retirer la plaque de charnière située derrière la bride de roulette et la placer sur le côté opposé du réfrigérateur. Placer l'axe de charnière et la cale dans le trou externe de la plaque de charnière, comme illustré ci-dessous.



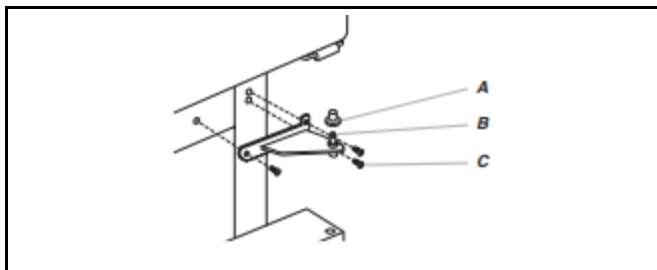
A. Cale d'axe de charnière	D. Bride du déflecteur
B. Charnière inférieure	E. Vis de charnière à tête hexagonale de 3/8 po
C. Plaque de charnière	

## Réinstallation des portes et charnières

**REMARQUE :** Si on inverse le sens d'ouverture de la porte, considérer l'image symétrique.

### Porte standard – modèles avec tiroir de congélateur

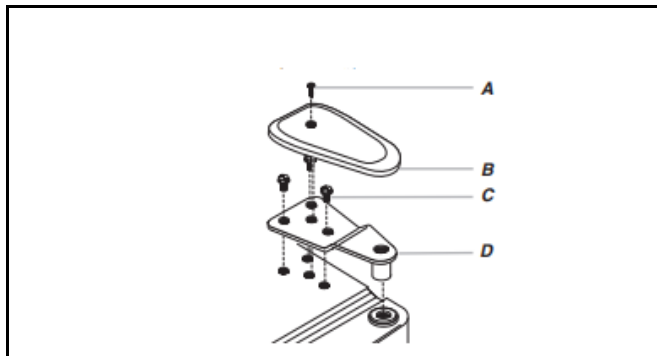
1. Replacer les pièces de la charnière inférieure comme illustré ci-dessous. Serrer les vis.



A. Couvercle d'axe de charnière	C. Vis de charnière
B. Charnière inférieure	

**REMARQUE :** Prévoir un support additionnel des portes pendant le déplacement des charnières. La force d'attraction des aimants de la porte ne suffit pas à la maintenir en place pendant la manutention.

2. Assembler les pièces de la charnière supérieure comme illustré ci-dessous. Ne pas complètement serrer les vis.

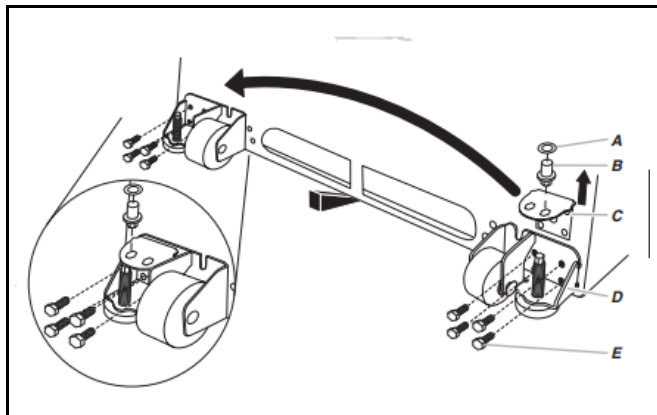


A. Vis du couvre-charnière	C. Vis de charnière à tête hexagonale de 5/16 po
B. Couvre-charnière supérieur	
D. Charnière supérieure	

3. Positionner la porte de façon à ce que le bas des portes du réfrigérateur soit bien aligné avec le sommet du tiroir de congélation. Serrer toutes les vis.

### Porte standard – modèles avec porte de congélateur

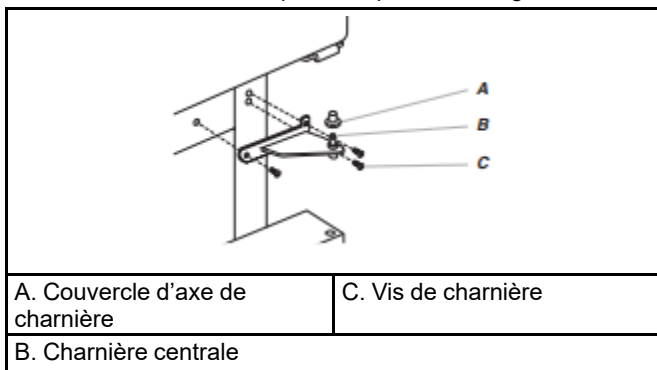
1. S'assurer que la plaque de charnière est solidement fixée derrière la bride de roulette et que l'axe de charnière est inséré dans le trou externe. Serrer complètement toutes les vis des brides de roulettes.



A. Cale d'axe de charnière	D. Bride du déflecteur
B. Charnière inférieure	E. Vis de charnière à tête hexagonale de 3/8 po
C. Plaque de charnière	

2. Retirer la cale précédemment placée sous la rive avant de la caisse du réfrigérateur. Réinstaller la porte du congélateur  
**REMARQUE :** Prévoir un support additionnel des portes pendant le déplacement des charnières. La force d'attraction des aimants de la porte ne suffit pas à la maintenir en place pendant la manutention.

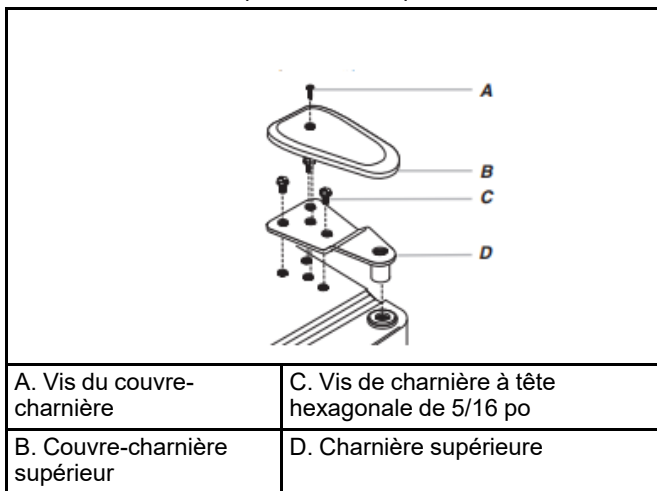
3. Assembler les pièces de la charnière centrale comme illustré et serrer toutes les vis. Replacer la porte du réfrigérateur.



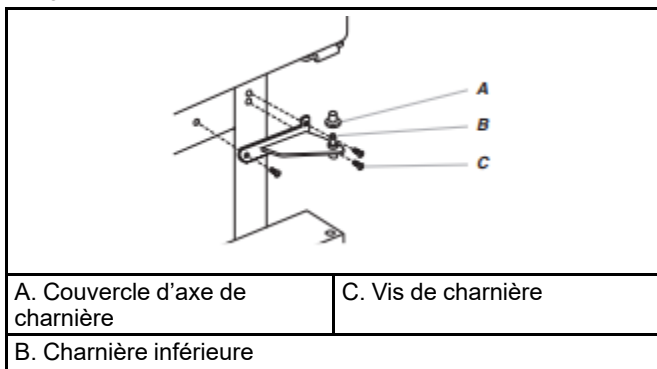
4. Assembler les pièces de la charnière supérieure comme illustré ci-dessous. Ne pas serrer complètement les vis.
5. Positionner les portes de façon à ce que le bas des portes du réfrigérateur soit bien aligné avec le sommet du tiroir de congélation. Serrer toutes les vis.

#### Modèles avec porte à double battant

1. Assembler les pièces des charnières supérieures comme illustré ci-dessous. Ne pas serrer complètement les vis.



2. Replacer les pièces des charnières inférieures comme illustré ci-dessous. Serrer les vis. Replacer les portes du réfrigérateur.



**REMARQUE :** Prévoir un support supplémentaire pour les portes du réfrigérateur pendant le déplacement des charnières. La force d'attraction des aimants des portes ne suffit pas à les maintenir en place pendant la manutention.

3. Aligner chaque porte de façon à ce que le bas de la porte du réfrigérateur soit bien aligné avec le sommet du tiroir de congélation. Serrer toutes les vis.
4. Reconnecter la fiche de câblage sur la partie supérieure de la porte du côté gauche du réfrigérateur. Réinstaller les couvre-charnières supérieurs.

## Retrait et réinstallation du tiroir de congélation

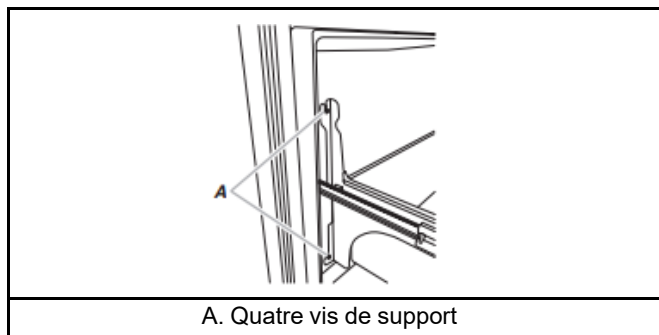
### IMPORTANT :

- Il faudra peut-être deux personnes pour déplacer et réinstaller le tiroir de congélation.

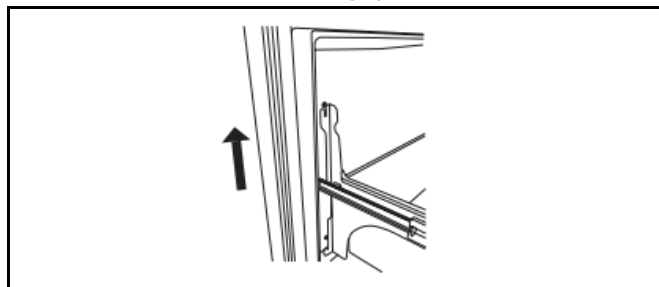
### RETRAIT DE LA FAÇADE DU TIROIR

1. Ouvrir le tiroir du congélateur complètement.
2. Desserrer les quatre vis fixant les glissières du panier à l'avant du tiroir comme illustré ci-dessous.

**REMARQUE :** Dévisser les vis de trois ou quatre tours. Garder les vis dans l'avant du tiroir.

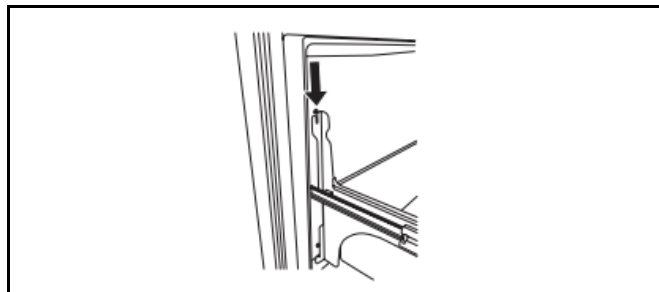


3. Soulever l'avant du tiroir et le dégager des vis.



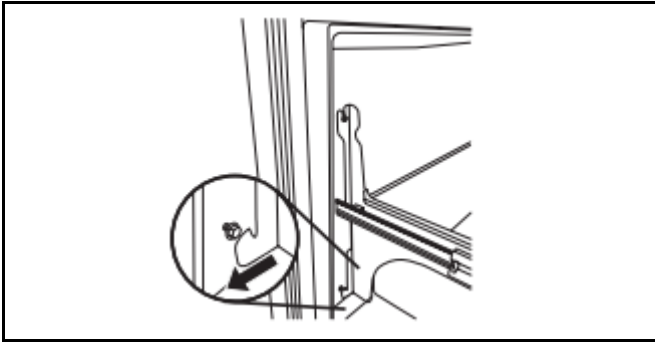
### Réinstallation de la façade du tiroir

1. Retirer les glissières de tiroir du compartiment de congélation en les faisant glisser. Insérer les vis du sommet de l'avant du tiroir dans les fentes des supports du tiroir, comme illustré ci-dessous.





2. Tirer les deux supports de tiroir vers soi pour insérer les deux vis du fond de l'avant du tiroir dans les supports, comme illustré ci-dessous.



3. Serrer complètement les quatre vis.

### Étapes finales

1. Inspecter tous les trous. Vérifier que tous les bouchons d'obturation et vis sont en place. Réinstaller le couvercle de la charnière supérieure.
2. Réinstaller la grille de la base.

## ⚠ AVERTISSEMENT



### Risque de décharge électrique

**Brancher l'appareil sur une prise à 3 alvéoles reliée à la terre.**

**Ne pas enlever la prise de liaison à la terre.**

**Ne pas utiliser d'adaptateur.**

**Ne pas utiliser de rallonge.**

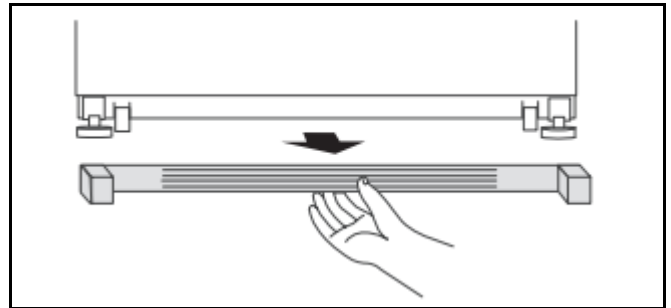
**Le non-respect de ces instructions peut causer un décès, un incendie ou une décharge électrique.**

3. Brancher l'appareil sur une prise à 3 alvéoles reliée à la terre.
4. Réinstaller l'ensemble des pièces de porte amovibles sur la porte et remettre les aliments dans le réfrigérateur.

### Fermeture et alignement de la porte

La grille de la base recouvre les vis de nivellement et les roulettes situées sous la caisse du réfrigérateur, sous la porte ou le tiroir du compartiment de congélation. Avant de réaliser les réglages, retirer la grille de la base et déplacer le réfrigérateur à son emplacement définitif.

1. Retirer les deux vis fixant la grille de la base de l'appareil, et mettre les vis de côté. Saisir la grille et la tirer vers soi.

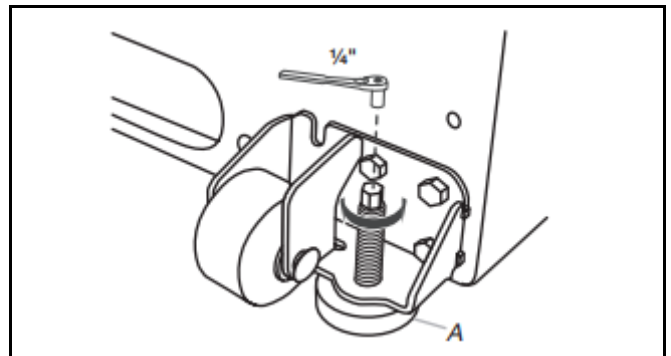


2. Déplacer le réfrigérateur jusqu'à sa position de service finale.

**REMARQUE :** Afin que le réfrigérateur puisse rouler plus facilement, soulever les pieds de nivellement en tournant les vis de nivellement dans le sens antihoraire. Les roulettes avant toucheront le plancher.

3. Afin que les portes ferment plus facilement, utiliser un tourne-écrou à tête hexagonale de 1/4 po pour tourner les vis de nivellement dans le sens horaire. Cet ajustement soulèvera légèrement l'avant du réfrigérateur et l'inclinera ainsi légèrement sur sa partie arrière. Placer les deux vis de nivellement à la même hauteur.

**REMARQUE :** Le fait d'exercer une pression contre le dessus du réfrigérateur permet d'alléger le poids appliqué aux vis de nivellement. Ceci facilite l'ajustement des vis.

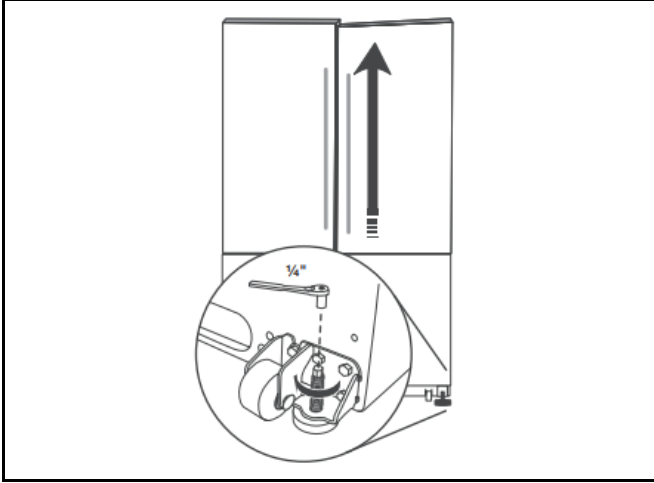


A. Vis de nivellement

4. Ouvrir et fermer les portes pour vérifier que leur fermeture est aussi aisée que souhaité. Si ce n'est pas le cas, augmenter l'inclinaison du réfrigérateur en tournant les deux vis de nivellement dans le sens horaire. Il est possible qu'il faille appliquer plusieurs tours aux vis de nivellement pour faciliter la fermeture des portes.

5. Vérifier l'alignement de la porte. Si une porte est plus basse que l'autre, ajuster la vis de nivellement du côté du réfrigérateur le plus bas. À l'aide d'un tourne-écrou à tête hexagonale de 1/4 po, tourner la vis de nivellement dans le sens horaire afin d'élever ce côté du réfrigérateur, jusqu'à ce que les portes soient alignées. Il faudra peut-être appliquer plusieurs tours à la vis de nivellement pour soulever le réfrigérateur.

**REMARQUE :** Le fait d'exercer une pression contre le dessus du réfrigérateur permet d'alléger le poids appliqué aux vis de nivellement. Ceci facilite l'ajustement des vis.



6. S'assurer que le réfrigérateur est stable. Si le réfrigérateur semble instable ou qu'il roule vers l'avant lorsqu'on ouvre la porte ou le tiroir, ajuster les vis de nivellement. À l'aide d'un tourne-écrou à tête hexagonale de 1/4 po, tourner les vis de nivellement dans le sens horaire de chaque côté jusqu'à ce que les pieds de nivellement soient en contact ferme avec le plancher.

**REMARQUE :** Le fait d'exercer une pression contre le dessus du réfrigérateur permet d'alléger le poids appliqué aux vis de nivellement. Ceci facilite l'ajustement des vis.

7. Réinstaller la grille de la base en alignant les extrémités de la grille avec les dispositifs de nivellement de chaque côté et emboîter la grille.

# FICHE DE DONNÉES DE PERFORMANCE

## Systeme de filtration de l'eau

Modèle EDR4RXD1 (équivalent à UKF8001)

Capacité de 200 gal. (757 L) avec indicateur PID,

100 gallons (379 litres) sans PID.

Ce système a été testé par un laboratoire indépendant selon les normes NSF/ANSI 42, 53, 401 et CSA B483.1 pour la réduction des substances énumérées ci-dessous. La concentration des substances indiquées dans l'eau entrant dans le système a été réduite à une concentration inférieure ou égale à la limite permise pour l'eau qui quitte le système, comme spécifié par les normes ANSI/NSF 42, 53 et 401, ainsi que CSA B483.1.

Réduction concentration produits de désinfection	Concentration dans l'eau à traiter	Limite permise de concentration du produit dans l'eau	Réduction de concentration % moy.	% de réd. minimale
Chlore goût/odeur	2,0 mg/L ± 10 %	Réduction de 50 %	> 97,4 %	97,4 %
Particules classe I*	Au moins 10 000 particules/mL	Réduction de 85 %	99,3 %	99,0 %

Réduction des contaminants	Concentration dans l'eau à traiter	Limite permise de concentration du produit dans l'eau	Réduction de concentration % moy.	% de réd. minimale
Plomb : à pH 6,5/ à pH 8,5	0,150 mg/L ± 10 %	0,010 mg/L	99,6 %/> 99,7 %	99,3 %/> 99,7 %
Mercure : à pH 6,5 /à pH 8,5	0,006 mg/L ± 10 %	0,002 mg/L	96,3 %/94,5 %	96,3 %/89,5 %
Amiante	10 <sup>7</sup> à 10 <sup>8</sup> fibres/L††	> 99 %	> 99 %	> 99 %
Kystes†	50 000/L min.	> 99,95 %	> 99,99 %	99,99 %
Atrazine	0,009 mg/L ± 10 %	0,003 mg/L	> 94,3 %	94,3 %
Benzène	0,015 mg/L ± 10 %	0,005 mg/L	> 96,5 %	96,5 %
Carbofurane	0,080 mg/L ± 10 %	0,040 mg/L	> 98,8 %	98,8 %
Lindane	0,002 mg/L ± 10 %	0,0002 mg/L	> 99,0 %	98,9 %
P-dichlorobenzène	0,225 mg/L ± 10 %	0,075 mg/L	> 99,8 %	99,8 %
Tétrachloroéthène	0,015 mg/L ± 10 %	0,005 mg/L	> 96,4 %	95,8 %
Toxaphène	0,015 mg/L ± 10 %	0,003 mg/L	> 93,2 %	93,1 %
Aténolol	200 ± 20 %	30 ng/L	> 95,5 %	95,5 %
Endrin	0,006 mg/L ± 10 %	0,002 mg/L	96,4 %	94,8 %
Éthylbenzène	2,1 mg/L ± 10 %	0,7 mg/L	> 99,9 %	99,9 %
O-dichlorobenzène	1,8 mg/L ± 10 %	0,6 mg/L	> 99,9 %	99,9 %
2,4 – D	0,210 mg/L ± 10 %	0,07 mg/L	99,3 %	97,4 %
Carbamazépine	1400 ± 20 %	200 ng/L	> 98,7 %	98,6 %
Diéthyltoluamide	1400 ± 20 %	200 ng/L	> 98,6 %	98,6 %
Linuron	140 ± 20 %	20 ng/L	> 96,3 %	96,3 %
Méprobamate	400 ± 20 %	60 ng/L	> 95,2 %	95,2 %
Métolachlore	1400 ± 20 %	200 ng/L	> 98,7 %	98,7 %
Triméthoprim	140 ± 20 %	20 ng/L	> 96,6 %	96,5 %
Bisphénol A	2000 ± 20 %	300 ng/L	> 99,1 %	99,1 %
Estrone	140 ± 20 %	20 ng/L	> 96,6 %	96,4 %

Nonylphénol	1400 ± 20 %	200 ng/L	> 96,7 %	96,6 %
Ibuprofène	400 ± 20 %	60 ng/L	> 95,5 %	95,3 %
Naproxène	140 ± 20 %	20 ng/L	> 96,8 %	96,7 %
Phénytoïne	200 ± 20 %	30 ng/L	> 95,5 %	95,5 %
Turbidité	11 NTU ± 10 %	0,5 NTU	98,8 %	98,2 %
Chlorobenzène	2,0 ± 10 %	0,1 mg/L	> 99,9 %	99,9 %

Paramètres de tests : pH = 7,5 ± 0,5 à moins d'indications contraires. Débit = 0,70 gpm (2,65 Lpm). Pression = 60 lb/po<sup>2</sup> (413,7 kPa). Température = 68 °F à 71,6 °F (20 °C à 22 °C). Capacité de service nominale = 200 gal. (757 L) avec indicateur PID, 100 gal. (379 L) sans indicateur PID.

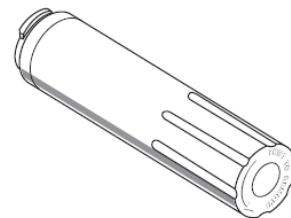
Les composés certifiés en vertu de la norme NSF 401 sont considérés comme appartenant à la catégorie des « composés émergents/contaminants secondaires ». Les composés émergents/contaminants secondaires ont été détectés à de faibles concentrations dans des sources d'approvisionnement en eau potable. Même s'ils n'apparaissent qu'à de faibles concentrations, ces composés peuvent influencer la perception et le niveau d'acceptation de la qualité de l'eau de consommation par le public.

- Pour obtenir les instructions d'installation, d'utilisation et d'entretien, consulter le manuel d'utilisation et d'entretien.
- Il est essentiel que les exigences de fonctionnement, d'entretien et de remplacement de filtre soient respectées pour que ce produit donne le rendement annoncé. Des dommages à la propriété peuvent se produire lorsque les instructions ne sont pas toutes respectées.
- La cartouche jetable doit être changée au moins tous les 6 mois.
- Utiliser le filtre de remplacement UKF8001, no de pièce EDR4RXD1/EDR4RXD1B. Prix suggéré au détail en 2018 de 49,99 \$ US/49,95 \$ CAN. Les prix sont indiqués sous réserve de modification.
- Le système de contrôle du filtre mesure la quantité d'eau qui passe par le filtre et indique quand remplacer le filtre. Pour savoir comment vérifier l'état du filtre, consulter « Utiliser les commandes » ou « Système de filtration d'eau » dans les instructions d'utilisation ou le guide d'utilisation.
- Après avoir remplacé le filtre à eau, purger le système d'eau. Voir les sections « Distributeur d'eau et de glaçons » ou « Distributeur d'eau » dans les instructions d'utilisation ou le guide d'utilisation.
- Ces contaminants ne sont pas nécessairement présents dans l'approvisionnement d'eau. Même si le test a été effectué dans des conditions de laboratoires standard, le rendement réel peut varier.
- Le produit doit être utilisé pour l'eau froide seulement.
- Le circuit d'eau doit être installé conformément aux lois et règlements locaux et à ceux de la province concernée.
- Ne pas utiliser ce produit pour filtrer une eau microbiologiquement polluée ou de qualité inconnue en l'absence d'un dispositif de désinfection adéquat en amont ou en aval du système. Les systèmes certifiés pour la réduction des kystes peuvent être utilisés pour une eau désinfectée susceptible de contenir des kystes filtrables. Étab. EPA no 69625-CT-001
- Consulter la « Garantie » pour obtenir le nom et le numéro de téléphone du fabricant, ainsi que les renseignements sur la garantie limitée.

#### Directives d'application/paramètres d'approvisionnement en eau

Source d'eau	Puits ou collectivité
Pression d'eau	30 lb/po <sup>2</sup> à 120 lb/po <sup>2</sup> (207 kPa à 827 kPa)
Température de l'eau	33 °F – 100 °F (0,6 °C – 37,8 °C)
Débit nominal	2,65 L/min (0,70 gpm) à 60 lb/po <sup>2</sup> (413,7 kPa).

- Le système de filtration d'eau peut prendre en charge une pression d'eau pouvant atteindre 120 livres par pouce carré (lb/po<sup>2</sup>). Si l'alimentation en eau est supérieure à 80 lb/po<sup>2</sup> (551,58 kPa), installer un détendeur avant d'installer le système de filtration d'eau.



\*Classe I – taille des particules : >0,5 à 1 µm

†Sur la base de la filtration de kystes de *Cryptosporidium parvum*

†† Filtres de longueur supérieure à 10 µm

®NSF est une marque déposée de NSF International.

## NOTES

## NOTES



## NOTES

