

# Top Control, Panel Ready Dishwasher, 5 Programs, 48 dBA

DIN25401

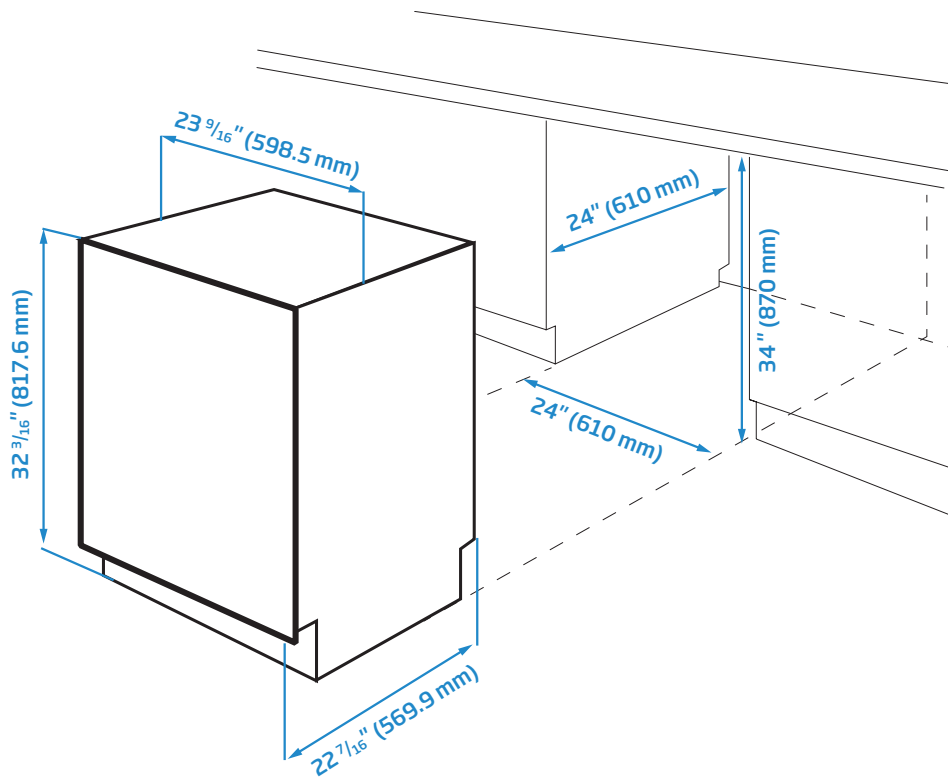


CEE Tier 1

## KEY FEATURES

- SilentTech Level: 48 dBA
- 5 Programs
- 4 Functions
- Easy Installation
- Concealed Heating Element
- Adjustable Feet and Self-adjusting Hinge

GENERAL	
Control Type	Electronic Touch Control
Position	Top Control
Finish	Panel Ready
MAIN FEATURES	
Loading Capacity (Place Settings)	14
Tub Material	Stainless Steel
Inner Door Material	Stainless Steel
DMSF Overflow Protection	Yes
Dirt Sensor	Yes
Turbidity Sensor	Yes
Delay Timer	Yes
Drying System	Static
ProSmart Inverter Motor	Yes
SilentTech	48 dBA
All-In-1 Tablet	Yes
Interior High Loop with Air Gap	Yes
Detergent Dispenser Type	Sliding Lid
FUNCTIONS	
1/2 Load Function	Yes
Sanitize Function	Yes
Extra Rinse Function	Yes
Fast Function	Yes
PROGRAMS	
Number of Programs	5
Heavy +	Yes
Normal	Yes
Quick & Shine	Yes
Express	Yes
Rinse & Hold	Yes
DISPLAY	
Rinse Aid Indicator	Yes
Water Leakage Indicator	Yes
Water Tap Indicator	Yes
Overflow Safety	Yes
RACK SYSTEM	
Upper Rack (Inset Shelves)	2
Nylon Coated Racks	Yes
ENVIRONMENTAL STANDARDS	
Energy Consumption	234 kWh/year
Water Consumption	2.59 – 5.86 gal./cycle
DIMENSIONS	
Required Cutout Dimension H x W x D	34" x 24" x 24"
Product Dim H x W x D	32 <sup>3</sup> / <sub>16</sub> " x 23 <sup>9</sup> / <sub>16</sub> " x 22 <sup>7</sup> / <sub>16</sub> " (81.8x59.8x57 cm)
Packed H x W x D	34 <sup>1</sup> / <sub>8</sub> " x 25 <sup>7</sup> / <sub>8</sub> " x 26 <sup>9</sup> / <sub>16</sub> " (86.7x65.7x67.4 cm)
Product Weight	78.48 lbs. (35.6 kg)
Packed Weight	88.41 lbs. (40.1 kg)



NOTE TO THE INSTALLER: All height, width, and depth dimensions are shown in inches (as well as metric). Beko U.S., Inc. reserves the absolute and unrestricted right to change product materials and specifications, at any time, without notice. Please visit our website, [www.BekoAppliances.com](http://www.BekoAppliances.com), or call 888.352.2356 to verify the latest specifications with final dimensional data and other details prior to installation and making a cutout. Applicable product limited warranty information may be found in accompanying product materials, or you may contact your account manager for further details. Proper installation is the responsibility of the installer. Product failure due to improper installation is not covered under the Limited Warranty.