

M 2241 SC

24" Microwave Oven - PureLine

Features:

- EasySensor – 7-segment display with sensor controls
- Perfect defrosting and cooking thanks to the automatic programs
- Very powerful microwave – 900 W

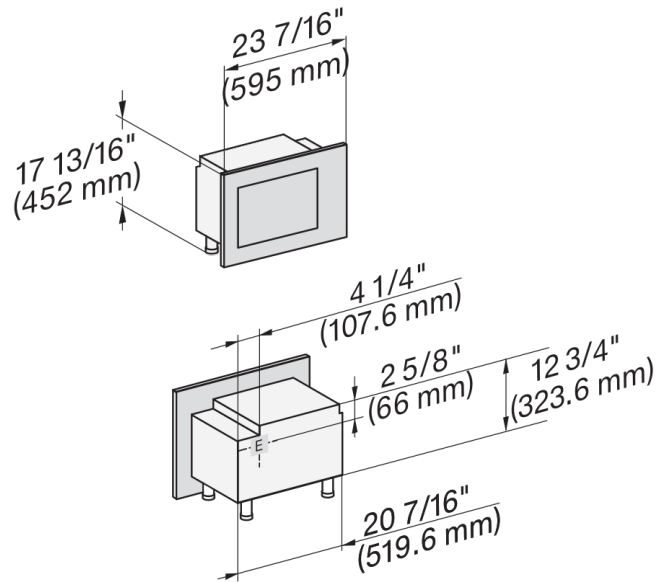


MATERIAL

11845640

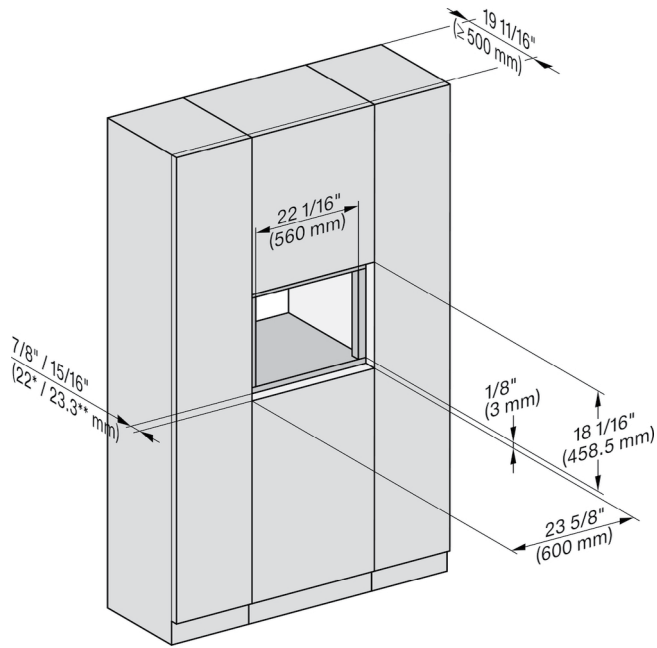
SPECIFICATIONS	
Overall Unit Dimensions	23 ⁷ / ₁₆ " (595 mm) W x 17 ¹⁵ / ₁₆ " (455.5 mm) H x 15 ¹ / ₈ " (384 mm) D
Niche	
Minimum Cabinet Niche Opening	22 ¹ / ₈ " (562 mm) W x 17 ¹¹ / ₁₆ " (450 mm) H x 24" (610 mm) D
Electrical	
Electrical Requirements	120V, 60Hz, 15 Amps
Power Cord	NEMA 5-15 plug, 5 ft (1.52 m)
Shipping	
Shipping Weight	48.5 lbs (22kg)
Shipping Dimensions	25 ⁷ / ₈ " (657 mm) W x 21 ¹ / ₈ " (537 mm) H x 20 ¹ / ₈ " (510 mm) L

PRODUCT DIMENSIONS

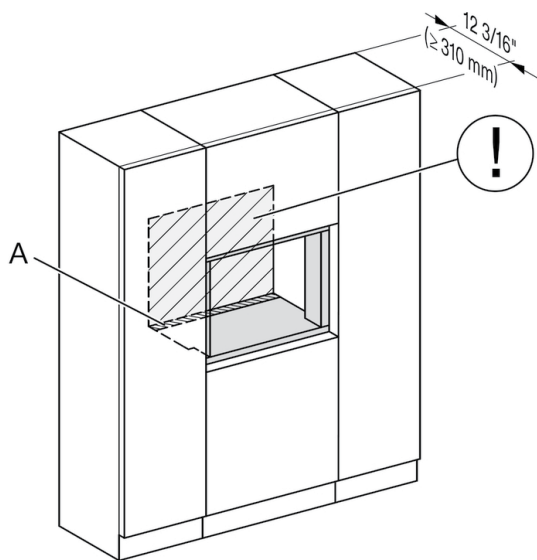
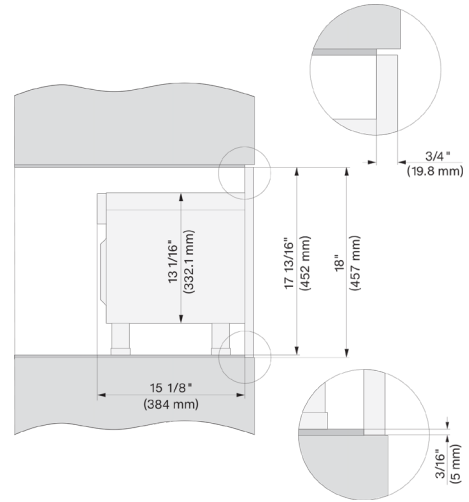


FLUSH CUTOUT DIMENSIONS

Front View



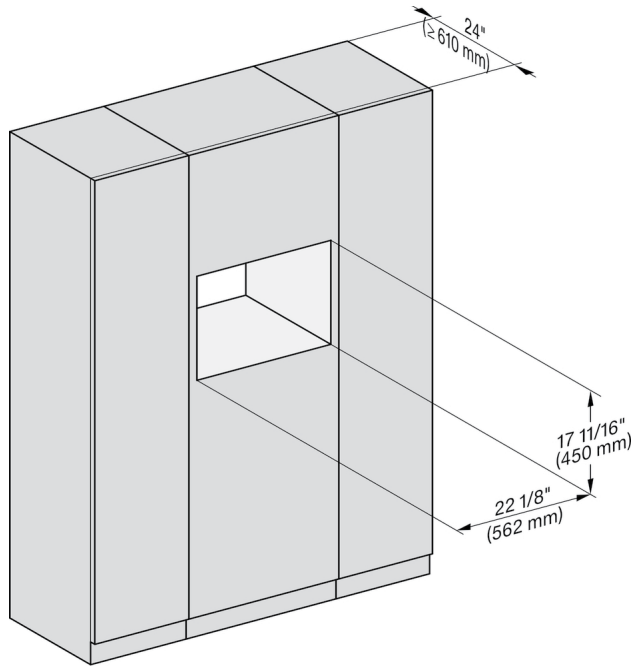
Side View



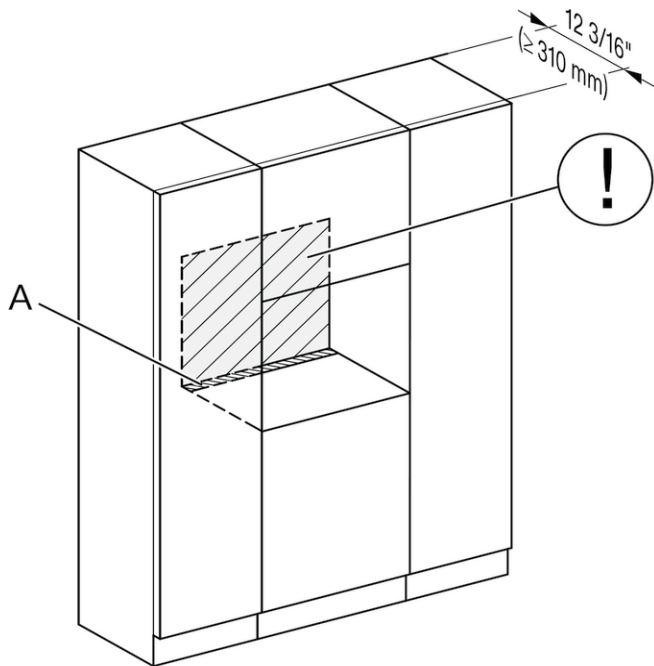
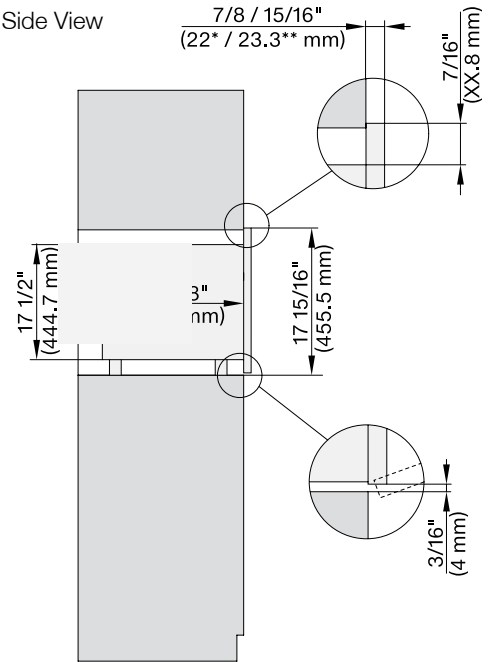
- A - Cut-out (4" x 28" [100 mm x 720 mm]) in the bottom of the cabinet for the power cord and Ventilation
- ! - Electrical and water supplies are recommended to be placed in adjacent cabinetry.
Additional cabinet depth is required when placing the electrical and water supplies behind the appliance.

PROUD CUTOUT DIMENSIONS

Front View



Side View



A - Cut-out (4" x 28" [100 mm x 720 mm]) in the bottom of the cabinet for the power cord and Ventilation

ⓘ - Electrical and water supplies are recommended to be placed in adjacent cabinetry.

Additional cabinet depth is required when placing the electrical and water supplies behind the appliance.