

LUDP8908SN

LG SIGNATURE Dishwasher

LG SIGNATURE

KEY FEATURES

- TrueSteam®
- LoDecibel™ Operation (38 dB)
- QuadWash™
- Textured Steel™ Finish
- Height Adjustable 3rd Rack
- EasyRack™ Plus System
- Inverter Direct Drive™ Technology
- Glide Rail and Ball-bearing Wheel Design
- Dual Zone Wash
- ThinQ®
- 10-Year Warranty on Inverter Direct Drive Motor
- Energy Star Rated
- Fingerprint & Smudge Resistant, Easy-to-Clean Finish



PRODUCT FEATURES

CAPACITY	
Total Place Settings	15
Upper Rack Dish Height Limit	7.1"
Lower Rack Dish Height Limit	12.5"
RACKS AND BASKETS	
Cutlery Baskets	Yes
Cup Rack	Yes
Stemware Holder	Yes
Fold Down Tines	Yes (Full Fold on Upper & Full Fold on Lower)
BPA-Free Nylon Coated Racks and Tines	Yes
Rack Handle	Yes (Upper) Yes (Lower)
Glide Rail	Yes
EasyRack™ Plus System	Yes
Height Adjustable Upper Rack	Yes
Height-Adjustable 3rd Rack	Yes
STYLE AND DESIGN	
Control Panel Location	Top Control
Electronic Controls	Fully Integrated Metal Touch Control Panel
SignalLight™ Cycle Indicator Lights	3
Time Remaining Indicator	Yes (LED)
Tub Material	NeveRust™ Stainless Steel
Tub Light	Yes
Handle	Pocket Handle
All Available Colors	Textured™ Steel
Fingerprint Resistant	Yes
FEATURES	
TrueSteam®	Yes
QuadWash®	Yes
Wheelbearing	Yes
Inverter Direct Drive Motor	Yes
LoDecibel™ Quiet Operation	38 dBA
Number of Wash Cycles	10 (Auto, Heavy, Delicate, Refresh, Normal, Turbo, Download Cycle, Machine Clean, Rinse, Express)
Number of Options	9 (Dual Zone, Half Load, Steam, High Temp, Extra Dry, Delay Start, Control Lock, Night Dry, Remote Start)
Number of Spray Arms	3 (Top, Upper, Lower)
SenseClean™ Wash System	Yes

Vario Wash	Yes
Detergent and Rinse-Aid Dispenser	Yes
Hybrid Condensing Drying System	Yes
End of Cycle Indicator	Yes (Beeper + END indication on display)
Hidden Water Heater	Yes
Safety Float Switch (Leaks)	Yes
Soil (Turbidity) Sensor	Yes
Tub Insulation (Damping Sheet, Sound Absorbing Material (felt), Base)	Yes
BPA-Free Nylon Coated Racks and Tines	Yes
Anti-Bacterial Treatment (Drain hose)	Yes
Balanced Door	Yes
3-Stage Filtration System	Yes
THING™ SMART FEATURES	
wi-fi Enabled	Yes
Voice Activation	Yes
Works with	Google Assistant and Amazon Alexa
Remote Monitoring	Yes
SmartDiagnosis™	Yes
CERTIFICATIONS	
NSF® Certified	
POWER RATINGS	
ENERGY STAR® Qualified	Yes
CEE Tier	1
Energy Use (kWh/Year)	269 kWh/Year
Water Factor (WF)	2.9
DIMENSIONS/CLEARANCES/WEIGHTS	
Product Dimensions (in) (W x H x D)	23 3/4" x 33 3/5" x 24 3/5"
Product Weight (lbs)	95.0 lbs
Depth with Door Closed with Handle (in)	24 3/5"
Depth with Door Open (in)	50 1/2"
Carton Dimensions (in) (W x H x D)	28" x 34 7/10" x 29 3/5"
Shipping Weight with Carton (lbs)	107.1 lbs
LIMITED WARRANTY	
Limited Warranty	1 Year Labor, 1 Year Parts, 5 Years Control Board and Rack Parts, 10 Years Direct Drive Motor, Lifetime on Stainless Steel Door Liner or Tub
UPC CODES	
LUDP88908SN Textured Steel™	048231339896

LUDP8908SN

LG SIGNATURE Dishwasher

QUICK INSTALL & CLEARANCES

For full installation directions/clearances please refer to the corresponding User Manual and Installation Guide.

DIMENSIONS

A Width	23 3/4"
B Height	33 3/5"
C Depth	24 3/5"
D Depth with Door Closed with Handle (in)	24 3/5"
E Depth with Door Open (in)	50 1/2"
Carton Dimensions (in) (W x H x D)	28" x 34 7/10" x 29 3/5"

POWER RATINGS

ENERGY STAR® Qualified	Yes
CEE Tier	1
Energy Use (kWh/Year)	269 kWh/Year
Water Factor (WF)	2.8

CERTIFICATIONS

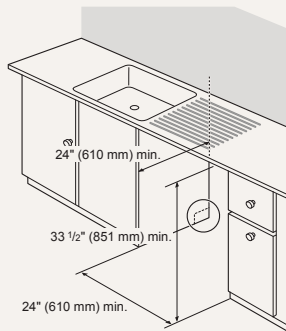
NSF® Certified	Yes
----------------	-----



PREPARING CABINET OPENING

This dishwasher is designed to fit a standard dishwasher opening. An opening may be needed on both sides to route plumbing and electrical connections.

- Select a location as close to the sink as possible for easy connections to water and drain lines.
- To ensure proper drainage, install the dishwasher no more than 12 ft. (3.65 m) from the sink.
- If installing the dishwasher in a corner, leave a minimum of 2" (50 mm) between the dishwasher and the adjacent wall.
- To allow for proper clearance of plumbing and electrical, use the template included with the literature to determine the clearance on the side of the cabinet where the cabinet meets the back wall. Using a 2 1/2" diameter hole saw, drill a hole in the target area as shown on the template.
- For flush installations only, you may remove the cabinet brace inside the cabinet.



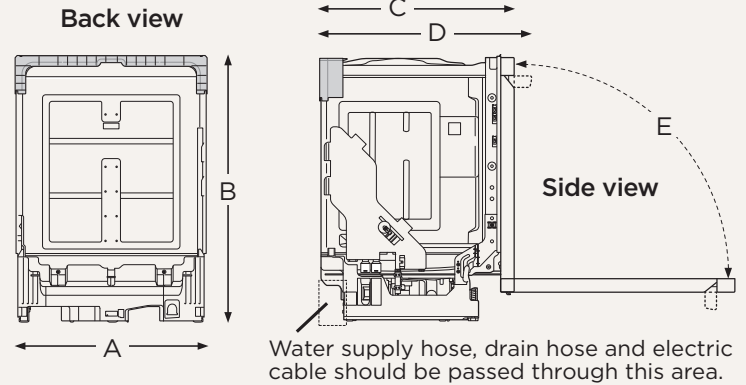
WARNING

- Don't use existing holes unless they are in the target area. Otherwise, the water supply and drain hose may be damaged by being crushed or kinked.

CAUTION

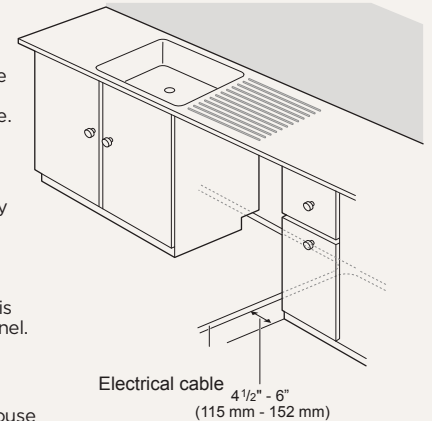
- Failure to properly locate the hole for the water and drain lines may prevent the dishwasher from installing flush with the cabinets and could result in kinked or damaged lines. Installation damage is not covered by the warranty, and leaks caused by improper installation may result in property damage.

PRODUCT DIMENSIONS



PREPARING ELECTRICAL WIRING

- Operate this appliance with the correct voltage as shown in your User Manual and on the rating plate. Connect it to a dedicated, properly grounded branch circuit which is protected by a time delay fuse. Connect the appliance using 3-wires, including a ground wire.
- If an outlet and other power connector are used, it should be in an accessible location adjacent to and not behind the dishwasher and within 4 ft (1.2 m) of the dishwasher's side.
- The wiring must be grounded properly. If in doubt, have it checked by a qualified electrician. Do not connect any other appliance to the same outlet.
- Route the wiring.
- Make sure the electrical cable is oriented in the right side channel.



WARNING

- For personal safety, remove house fuse or open circuit breaker before installation.
- Do not use an extension cable or adapter with this dishwasher

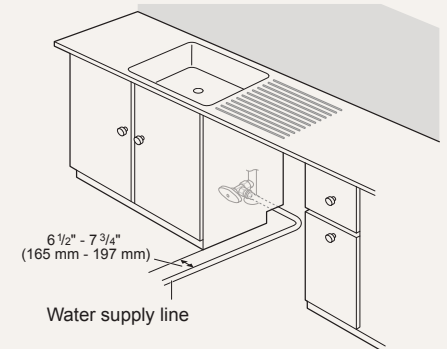
NOTE:

- If you find any damage to the dishwasher, contact your retailer or contractor.

PREPARING WATER SUPPLY CONNECTION

Make sure the house water supply is turned off before connecting the dishwasher water lines.

- Connect the dishwasher to a hot water supply with a temperature range between 120°F (49°C) and 149°F (65°C). This temperature range provides the best washing results and shortest cycle time. To prevent damage to dishes, the temperature should not exceed 149 °F (65°C).
- When connecting the dishwasher water line, sealing tape or compound should be used on pipe threads to avoid leaks. Tape or compound should not be used on compression fittings.



- The water supply tube must be located in the left side channel.

NOTE:

- If you find any damage to the dishwasher, contact your retailer or contractor.