



13.9 Cu. Ft. Top Freezer Refrigerator

Top Freezer Refrigerator

Available Products: FFHT1425VB, FFHT1425VV, FFHT1425VW

Available Colors: Black, Brushed Steel, White

Version: 08/22

Product Specifications

Refrigerator

Crisper Color	Clear
Deli Drawer	Yes
Door Bin Color	White
Interior Lighting	LED
Shelf Material	Glass
Number of Fixed Gallon Door Bins	2
Number of Adjustable Shelves	2
Number of Crispers	1

Ice Maker

Ice Maker	No
Ice Maker Ready	Yes

Dimensions and Volume

Height With Hinge	60 1/2"
Height Without Hinge	59 7/8"
Width	27 5/8"
Width of Cabinet	27 5/8"
Depth of Cabinet	25 1/4"
Depth With Door	29 3/8"
Depth With Door 90° Open	53 5/8"
Depth With Door and Handle	29 3/8"
Fresh Food Capacity	10 Cu. Ft.
Freezer Capacity	3.9 Cu. Ft.
Total Capacity	13.9 Cu. Ft.

General Specifications

Annual Energy	332 kWh
Refrigerant Type	R-600A
Warranty - Labor	1 Year
Warranty - Parts	1 Year

Performance Certifications and Approvals

ENERGY STAR Certified	Yes
-----------------------	-----

Freezer

Automatic Defrost	Yes
Baskets / Bins Color	White
Shelf Material	Glass
Number of Fixed Door Bins	2
Number of Adjustable Shelves	1

Controls

Digital Display	No
-----------------	----

Electrical Specifications

Minimum Circuit Required	15 Amps
--------------------------	---------

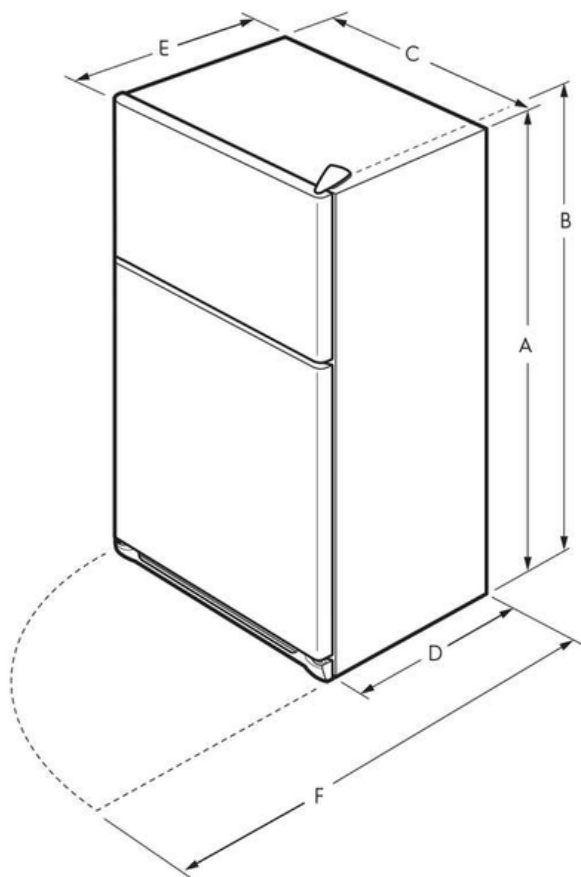
Certifications and Approvals

ADA Compliant	Yes
---------------	-----

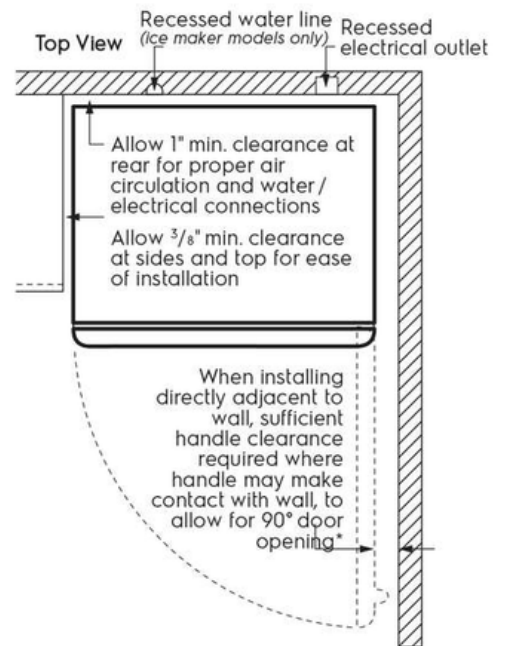
Safety Certifications and Approvals

UL Listed	Yes
-----------	-----

Installation Diagram



A	59 ⁷ / ₈ "
B	60 ¹ / ₂ "
C	27 ⁵ / ₈ "
D	25 ¹ / ₄ "
E	29 ³ / ₈ "
F	53 ⁵ / ₈ "



* When installing refrigerator adjacent to wall, cabinet or other appliance that extends beyond front edge of unit, 20" minimum clearance recommended to allow for optimum 140° door swing, providing complete crisper access and removal. (Absolute 3" minimum clearance will ONLY allow for 90° door swing which will provide limited crisper access with restricted removal.)