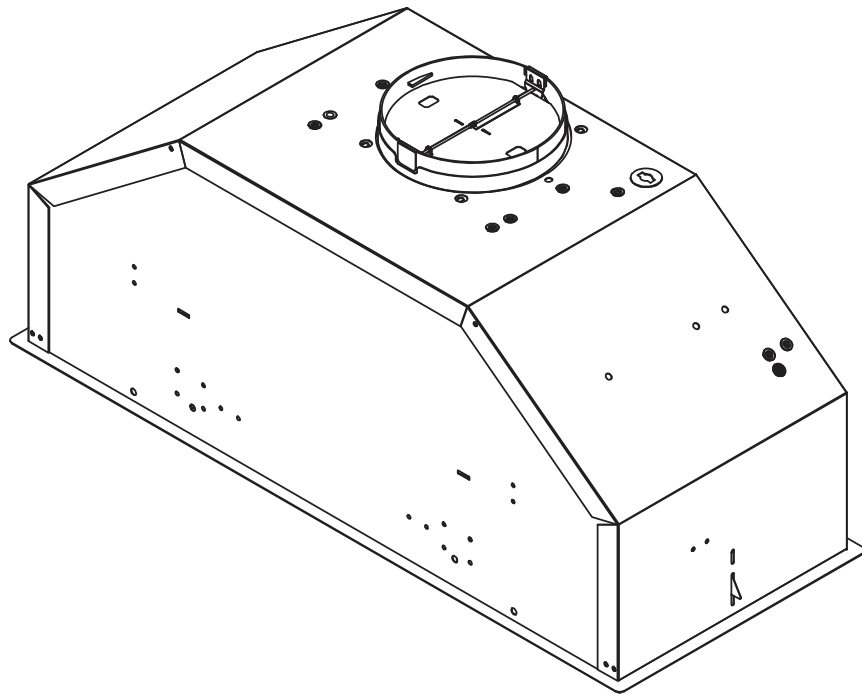


## Twister AK8000CS

## Tornado I AK8100BS

EN Use, Care, and Installation Guide

FR Guide d'utilisation, d'entretien et d'installation





---

	Page
<b>Safety Information .....</b>	<b>4-6</b>
Types of Safety Warnings.....	4
General Safety .....	4-5
Operation .....	6
Electrical Requirements .....	6
<b>List of Materials.....</b>	<b>7</b>
<b>Installation Instructions.....</b>	<b>8-15</b>
Ducting Calculation Sheet.....	8
Mounting Height, Clearance, & Ducting .....	9
Ducting Options .....	10
Hood Specifications.....	11
Electrical Supply.....	12
Cable Lock .....	12
Mounting the Hood.....	13-14
Ductless Recirculation .....	15
<b>Features &amp; Controls.....</b>	<b>16</b>
Slide Controls .....	16
<b>Maintenance .....</b>	<b>17-18</b>
Hood & Filter Cleaning.....	17-18
LumiLight LED .....	18
<b>Wiring Diagram .....</b>	<b>19</b>
<b>Troubleshooting.....</b>	<b>20-21</b>
<b>List of Parts &amp; Accessories .....</b>	<b>22</b>
<b>Limited Warranty .....</b>	<b>23</b>
<b>Product Registration.....</b>	<b>24</b>

# Safety Information

## READ AND SAVE THESE INSTRUCTIONS

**Your safety and the safety of others are very important.** We have provided many important safety messages in this manual for your appliance. Always read and obey all safety messages.



This is the Safety Alert Symbol. This symbol alerts you to potential hazards that can cause severe bodily injury or death. All safety messages will follow the Safety Alert Symbol and either the words “DANGER” “WARNING” or “CAUTION”



### General Safety



WARNING - TO REDUCE THE RISK OF FIRE, ELECTRIC SHOCK, OR INJURY TO PERSONS, OBSERVE THE FOLLOWING:

- Use this unit only in the manner intended by the manufacturer. If you have questions, contact the manufacturer.
- Before servicing or cleaning unit, switch power off at service panel and lock the service disconnecting means to prevent power from being switched on accidentally. When the service disconnecting means cannot be locked, securely fasten a prominent warning device, such as a tag, to the service panel.



WARNING - TO REDUCE THE RISK OF A RANGE TOP GREASE FIRE:

- Never leave surface units unattended at high settings. Boilovers cause smoking and greasy spillovers that may ignite. Heat oils slowly on low or medium settings.
- Always turn hood ON when cooking at high heat or when flambeing food. (i.e. Crepes Suzette, Cherries Jubilee, Peppercorn Beef Flambe’).
- Clean ventilating fans frequently. Grease should not be allowed to accumulate on fan or filter.
- Use proper pan size. Always use cookware appropriate for the size of the surface element.

## READ AND SAVE THESE INSTRUCTIONS



WARNING - TO REDUCE THE RISK OF INJURY TO PERSONS IN THE EVENT OF A RANGE TOP GREASE FIRE, OBSERVE THE FOLLOWING<sup>o</sup>:

- a) SMOTHER FLAMES with a close-fitting lid, cookie sheet, or metal tray, then turn off the burner. BE CAREFUL TO PREVENT BURNS. If the flames do not go out immediately, EVACUATE AND CALL THE FIRE DEPARTMENT.
- b) NEVER PICK UP A FLAMING PAN – You may be burned.
- c) DO NOT USE WATER, including wet dishcloths or towels – a violent steam explosion will result.
- d) Use an extinguisher ONLY if:
  - 1) You know you have a Class ABC extinguisher, and you already know how to operate it.
  - 2) The fire is small and contained in the area where it started.
  - 3) The fire department is being called.
  - 4) You can fight the fire with your back to an exit

<sup>o</sup>Based on “Kitchen Firesafety Tips” published by NFPA.



WARNING - TO REDUCE THE RISK OF FIRE, ELECTRIC SHOCK, OR INJURY TO PERSONS, OBSERVE THE FOLLOWING:

- a) Installation work and electrical wiring must be done by qualified person(s) in accordance with all applicable codes and standards, including fire-rated construction.
- b) Sufficient air is needed for proper combustion and exhausting of gases through the flue (chimney) of fuel burning equipment to prevent back drafting. Follow the heating equipment manufacturer’s guideline and safety standards such as those published by the National Fire Protection Association (NFPA), and the American Society for Heating, Refrigeration and Air Conditioning Engineers (ASHRAE), and the local code authorities.
- c) When cutting or drilling into wall or ceiling, do not damage electrical wiring and other hidden utilities.
- d) Ducted fans must always be vented to the outdoors.
- e) If this unit is to be installed over a tub or shower, it must be marked as appropriate for the application and be connected to a GFCI (Ground Fault Circuit Interrupter) - protected branch circuit.



# Safety Information

## READ AND SAVE THESE INSTRUCTIONS

### Operation

- ▶ Always leave safety grilles and filters in place. Without these components, operating blowers could catch onto hair, fingers and loose clothing.
- ▶ The manufacturer declines all responsibility in the event of failure to observe the instructions given here for installation, maintenance and suitable use of the product. The manufacturer further declines all responsibility for injury due to negligence and the warranty of the unit automatically expires due to improper maintenance.

**NOTE:** Please check [www.zephyronline.com](http://www.zephyronline.com) for revisions before doing any custom work.

### Electrical Requirements

#### Important:

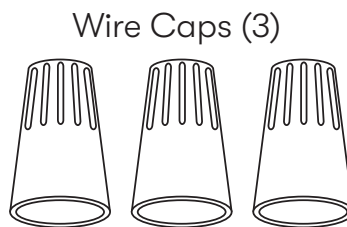
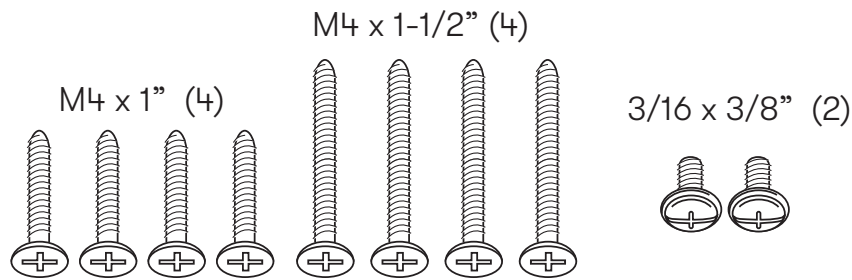
- ▶ Observe all governing codes and ordinances.
- ▶ It is the customer's responsibility to be aware of these below:
- ▶ To contact a qualified electrical installer.
- ▶ To assure that the electrical installation is adequate and in conformance with National Electrical Code, ANSI/NFPA 70 latest edition\* or CSA standards C22.1-94, Canadian Electrical Code, Part 1 and C22.2 No.0-M91 - latest edition\*\* and all local codes and ordinances.
- ▶ If codes permit and a separate ground wire is used, it is recommended that a qualified electrician determine that the ground path is adequate.
- ▶ Do not ground to a gas pipe.
- ▶ Check with a qualified electrician if you are not sure the range hood is properly grounded.
- ▶ Do not have a fuse in the neutral or ground circuit.
- ▶ This appliance requires a 120V 60Hz electrical supply and connected to an individual properly grounded branch circuit protected by a 15 or 20 ampere circuit breaker or time delay fuse. Wiring must be 2 wire with ground. Please also refer to Electrical Diagram on product.
- ▶ A cable locking connector (not supplied) might also be required by local codes. Check with local requirements, purchase and install appropriate connector if necessary.

\* National Fire Protection Association Batterymarch Park, Quincy, Massachusetts 02269

\*\* CSA International 8501 East Pleasant Valley Road, Cleveland, Ohio 44131-5575

### Parts Supplied

Quantity	Part
1	Power pack
2	Aluminum mesh filter (AK8000CS)
2	Hybrid baffle filter (AK8100BS)
2	LumiLight LED, 6W (pre-installed)
1	Single internal blower (pre-installed)
1	Round metal cap (for covering duct opening when converting to horizontal ducting)
1	Hardware package



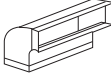
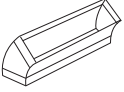
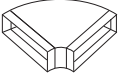
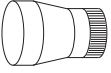
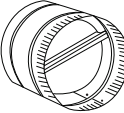
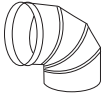



### Parts Not Supplied

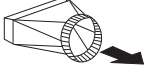
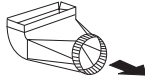

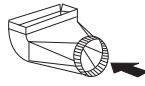
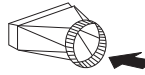
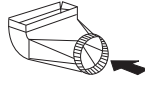
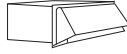
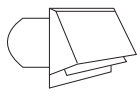

Ducting, conduit and all installation tools
Cable locking connector (if required by local codes)
Optional stainless steel liner (AK08xxAS)
Optional recirculating kit (ZRC-0080)

# Installation Instructions

## Ducting Calculation Sheet

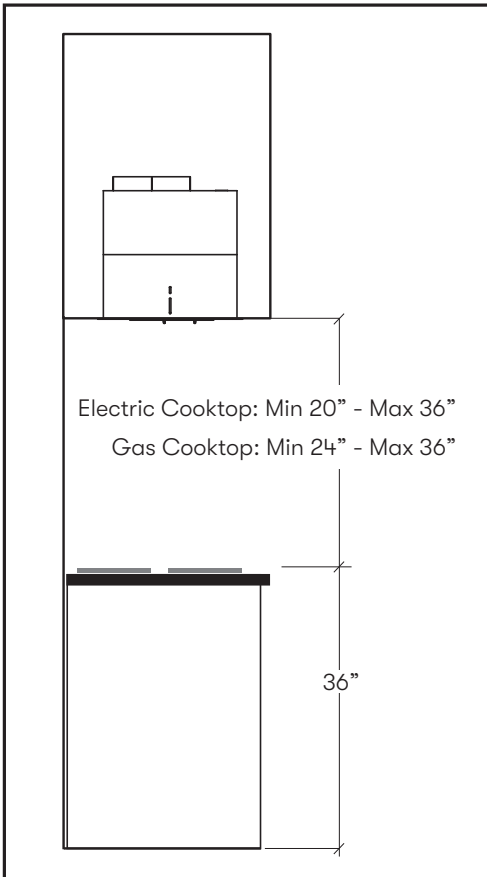
Duct pieces		Equivalent number length x used =	Total
	3-1/4" x 10" Rect., straight	1 Ft. x ( ) =	Ft.
	6", 7", 8", 10" Round, straight	1 Ft. x ( ) =	Ft.
	3-1/4" x 10" Rect. 90° elbow	15 Ft. x ( ) =	Ft.
	3-1/4" x 10" Rect. 45° elbow	9 Ft. x ( ) =	Ft.
	3-1/4" x 10" Rect. 90° flatelbow	24 Ft. x ( ) =	Ft.
	7" to 6" or 8" to 7" Round tapered reducer	25 Ft. x ( ) =	Ft.
	6", 7", 8" Round in-line damper	15 Ft. x ( ) =	Ft.
	6", 7", 8", 10" Round, 90° elbow	15 Ft. x ( ) =	Ft.
	6", 7", 8", 10" Round, 45° elbow	9 Ft. x ( ) =	Ft.
Subtotal column 1 =			Ft.

**Maximum Duct Length:** For satisfactory air movement, the total duct length should not exceed 150 equivalent feet.

Duct pieces		Equivalent number length x used =	Total
	3-1/4" x 10" Rect. to 6" round transition	5 Ft. x ( ) =	Ft.
	3-1/4" x 10" Rect. to 6" round transition 90° elbow	20 Ft. x ( ) =	Ft.
	6" round to 3-1/4" x 10" rect. transition	1 Ft. x ( ) =	Ft.
	6" round to 3-1/4" x 10" rect. transition 90° elbow	16 Ft. x ( ) =	Ft.
	7" round to 3 1/4" x 10" rect. transition	8 Ft. x ( ) =	Ft.
	7" round to 3-1/4" x 10" rect. transition 90° elbow	23 Ft. x ( ) =	Ft.
	3-1/4" x 10" Rect. wall cap with damper	30 Ft. x ( ) =	Ft.
	6", 7", 8", 10" Round, wall cap with damper	30 Ft. x ( ) =	Ft.
	6", 7", 8", 10" Round roof cap	30 Ft. x ( ) =	Ft.
Subtotal column 2 =			Ft.
Subtotal column 1 =			Ft.
Total ductwork =			Ft.



## Mounting Height, Clearance, & Ducting



A minimum of 6" round vertical or horizontal duct must be used to maintain maximum air flow efficiency.

Always use rigid type metal ducts only. Flexible ducts could restrict air flow by up to 50%.

Also use calculation (on page 8) to compute total available duct run when using elbows, transitions and caps.

ALWAYS, when possible, reduce the number or transitions and turns. If long duct run is required, increase duct size.

If turns or transitions are required; install as far away from hood duct output and as far apart, between the two as possible.

Minimum mount height between range top to hood bottom should be no less than 24" above gas cooktops and 20" above electric cooktops.

Maximum mount height should be no higher than 36".

It is important to install the hood at the proper mounting height. Hoods mounted too low could result in heat damage and fire hazard; while hoods mounted too high will be hard to reach and will lose its performance and efficiency.


If available, also refer range manufacturer's height clearance requirements and recommended hood mounting height above range.

### For shipment and installation damages:


- ▶ Please fully inspect unit for damage before installation.
- ▶ If the unit is damaged in shipment, return the unit to the store in which it was bought for repair or replacement.
- ▶ If the unit is damaged by the customer, repair or replacement is the responsibility of the customer.
- ▶ If the unit is damaged by the installer (if other than the customer), repair or replacement must be made by arrangement between customer and installer.

# Installation Instructions

## Ducting Options

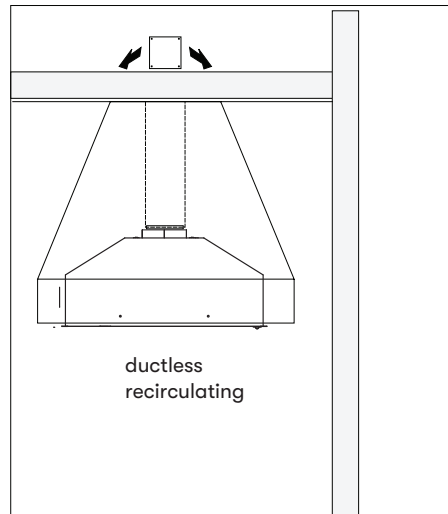
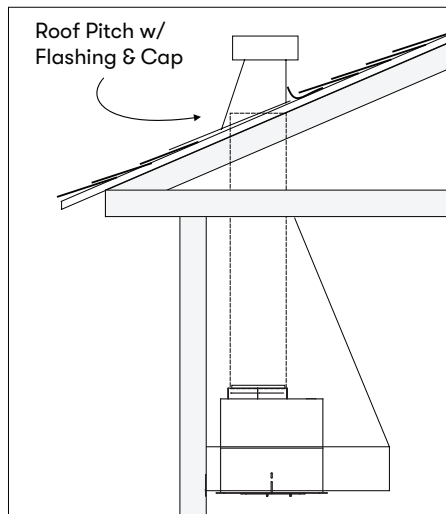
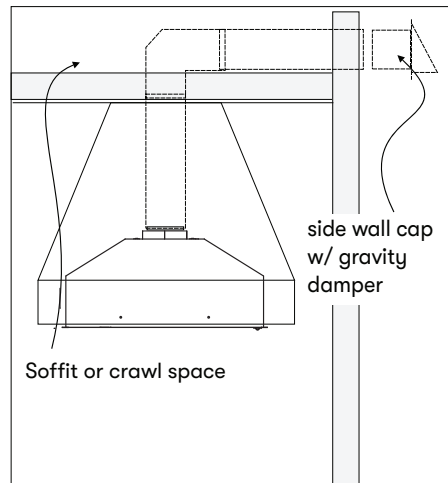
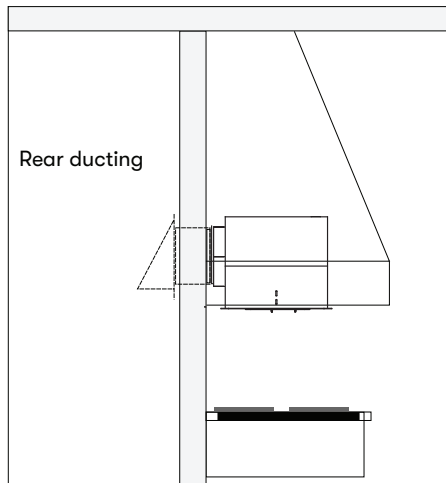


# WARNING

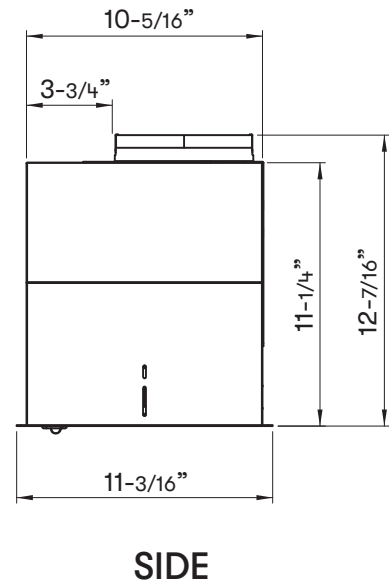
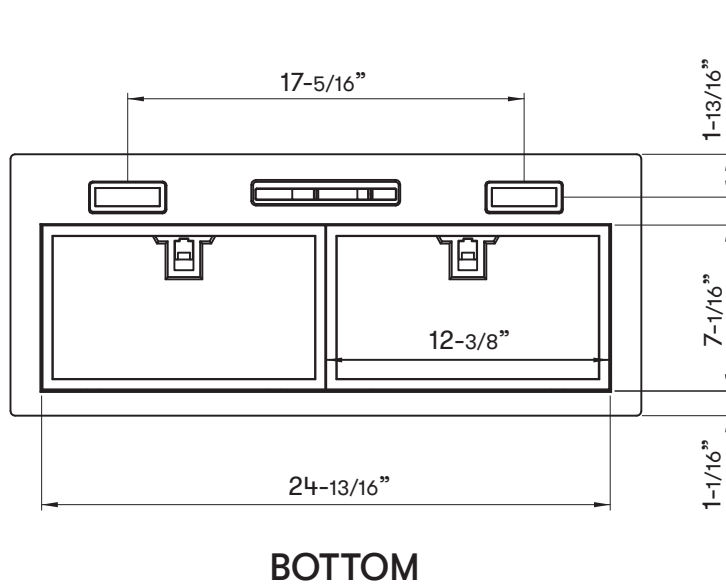
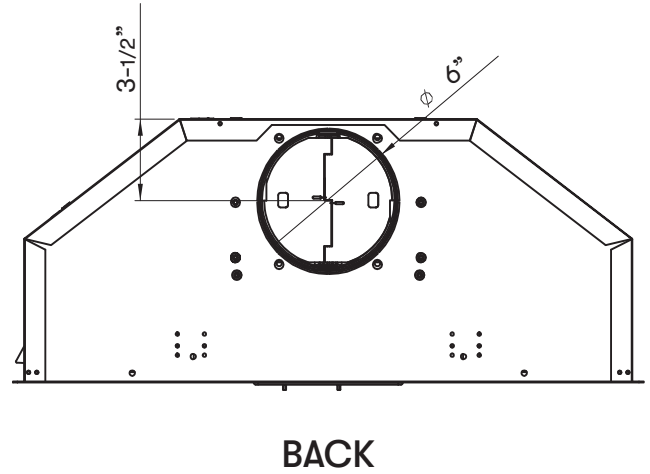
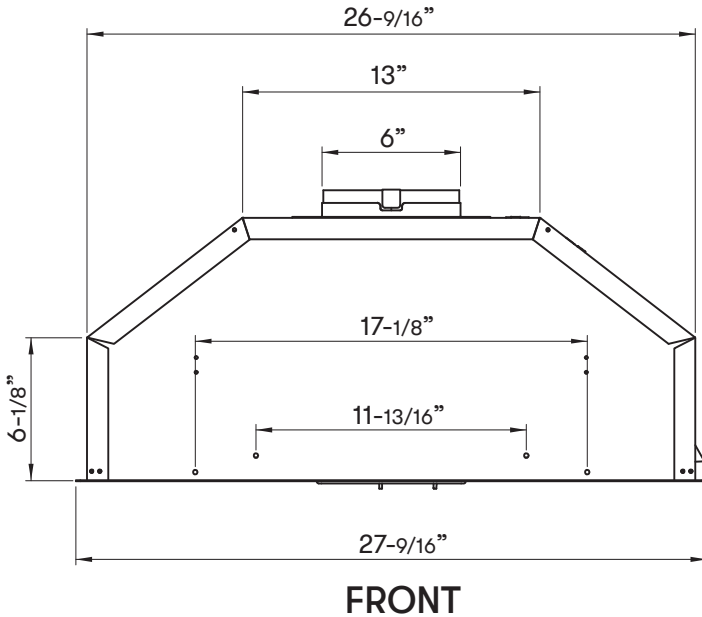


**Fire Hazard:** NEVER exhaust air or terminate ductwork into spaces between walls, crawl spaces, ceilings, attics, or garages. All exhaust must be ducted to the outside, unless using the recirculating option.

- ▶ Use single wall rigid metal ductwork only.
- ▶ Fasten all connections with sheet metal screws and tape all joints w/ certified Silver Tape or Duct Tape.

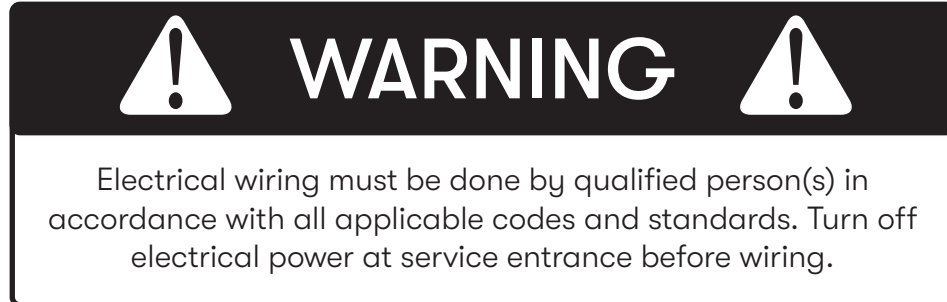


## Hood Specifications



# Installation Instructions

## Electrical Supply



For personal safety, remove house fuse or open circuit breaker before beginning installation. Do not use extension cord or adapter plug with this appliance.

**Follow national electrical codes or prevailing local codes and ordinances.**

This appliance requires a 120V 60Hz electrical supply, and connected to an individual, properly grounded branch circuit, protected by a 15 or 20 ampere circuit breaker or time delay fuse. Wiring must be 2 wire w/ ground. Please also refer to the Electrical Diagram labeled on product.

## Cable Lock

A cable locking connector (not supplied) might be required by local codes. Check with local requirements and codes, purchase and install appropriate connector if necessary. (FIG. A)

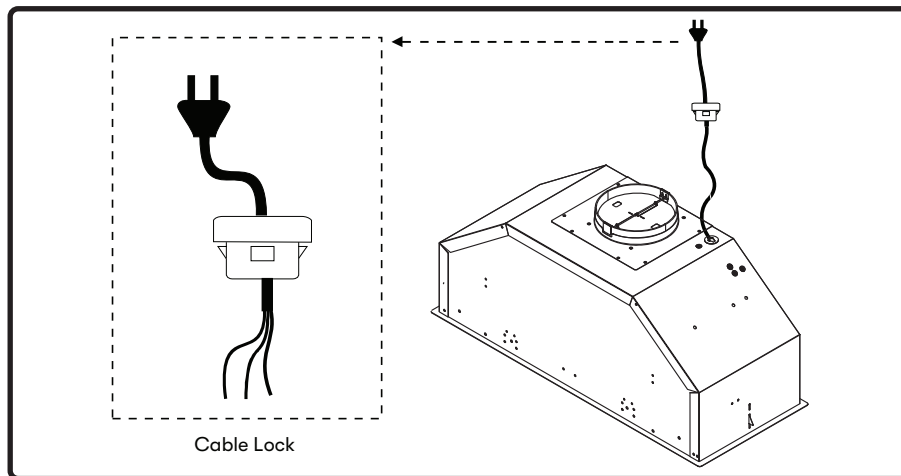


FIG. A

## Mounting the Hood



### CAUTION

At least two installers are required due to the weight and size of the hood.

1. Install optional AK08xxAS Stainless Steel Liner. Review manual included with liner for more details.
2. If no liner is used, cut out an opening in bottom of the cabinet by following the dimensions in FIG. B.
3. Remove (6) screws from the inner brackets on the face plate in FIG. C. Disconnect the wiring and remove the face plate.
4. If ducting vertically, continue to step 5. If ducting horizontally, knock out the rear duct 6" hole before installing the hood.
5. Lift power pack into opening and ensure locking clip has locked into position. Locking clip is located on left side of power pack. FIG. D.
6. Fasten (2) M4 screws into each long side of power pack. If a liner is used, the screws will go through the power pack mounting holes, then the liner and into the wood base.

**NOTE:** Wood blocking may need to be added to cabinet base if additional support is needed. Refer to FIG. E.

7. If ducting horizontally, continue instructions on page 14.
8. Install duct work and seal with duct tape. Install electrical and reconnect all the wiring.
9. Remove all packing materials before using power pack. Switch power on and check for leaks around duct tape.
10. Install face plate and filters.

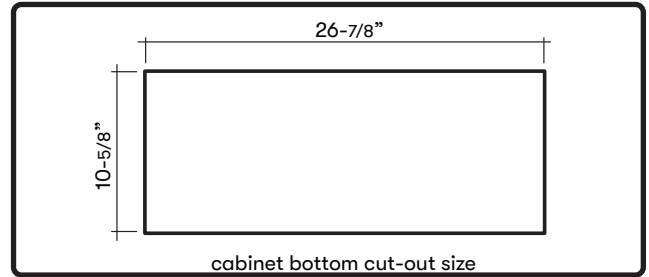


FIG. B

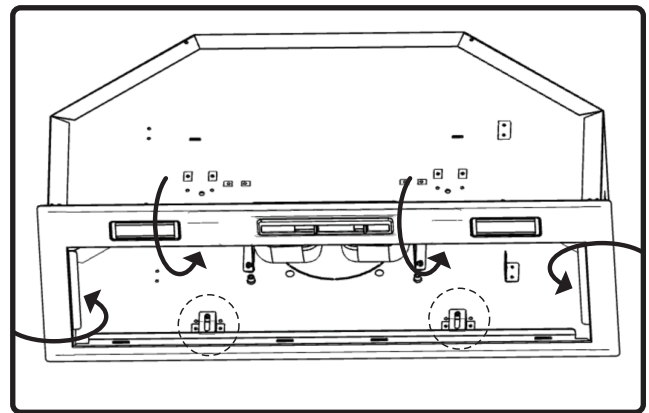


FIG. C

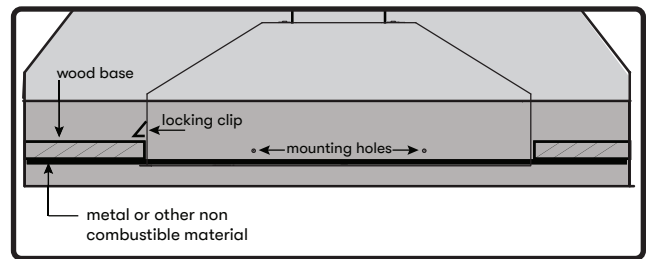


FIG. D

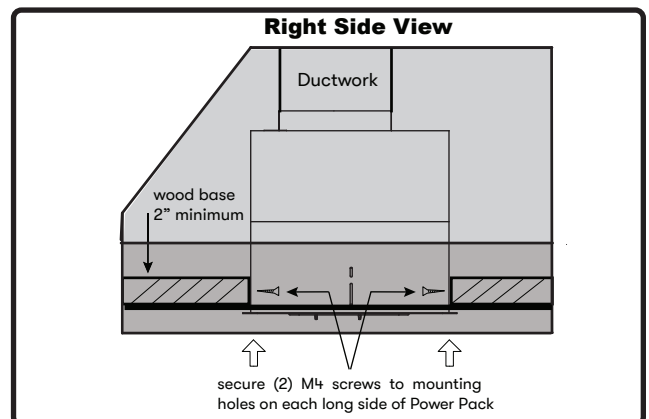


FIG. E

# Installation Instructions

## Mounting the Hood

Ignore these steps if the hood is vertically ducted.

### Horizontal Ducting Instructions

1. Remove (4) screws from FIG. F and (4) screws from FIG. G.
2. Pull the motor out of the vertical ducting position.
3. Orient the motor into the horizontal ducting position.
4. Install the motor and secure in place with screws.
5. Continue on step 8 on page 13.

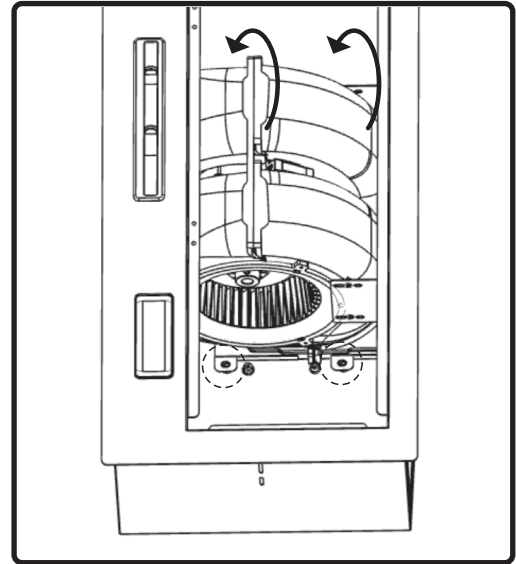


FIG. F

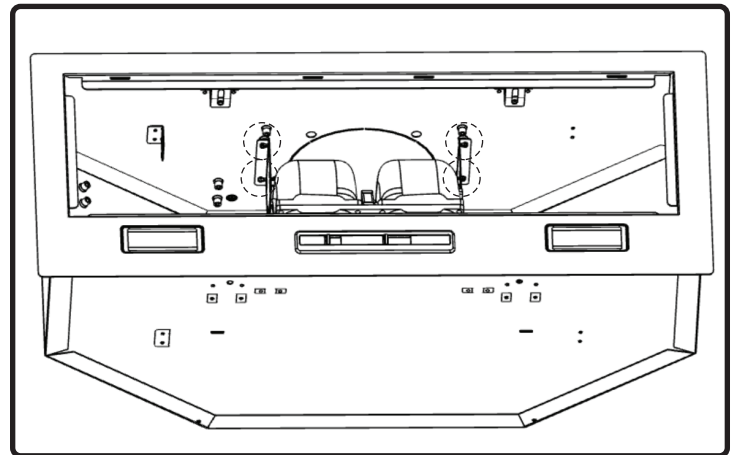


FIG. G

## Ductless Recirculation

Ductless recirculation is intended for applications where an exhaust duct work is not possible to be installed. When converted, the hood functions as a recirculating hood rather than an exhaust hood. Fumes and exhaust from cooking are drawn and filtered by a set of optional charcoal filters. The air is then purified and re-circulated back within the home.

We recommend to ALWAYS exhaust air outside of the home by employing existing or installing new duct work, if possible. The hood is most effective and efficient as an exhaust hood. Only when the exhaust option is not possible should you recourse to converting the hood into a recirculating hood.

When converted to be a recirculating hood, a set of charcoal filters are required on top of its standard Metal Filter set. Order according to its part number below. The standard mesh filters are intended to capture residue from cooking, and the optional charcoal filters help to purify fumes exhausted from cooking for recirculation.

## Recirculating Kit Installation (required if no ducting is used)

For detailed installation instructions, please refer to the manual included with the recirculating kit.

Hood Model	Part Number	Quantity to Order
AK8000CS	ZRC-0080	1
AK8100BS	ZRC-0080	1

1. Purchase recirculating kit per the part number above. Remove filters from hood. Place charcoal filter on back side of filters.
2. Place filter brackets over charcoal filter and secure in place by tucking each end of bracket under the filter frame. FIG. H. Reinstall filters.

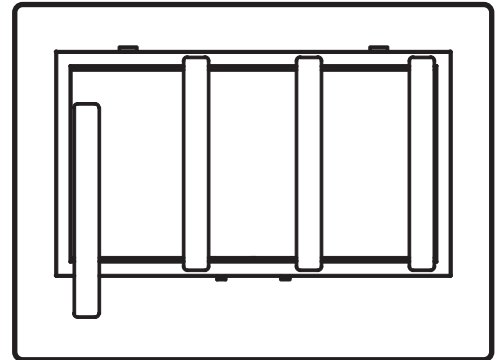


FIG. H

Order replacement charcoal filters as follows:

Hood Model	Part Number	Quantity to Order
AK8000CS	Z0F-C008	2
AK8100BS	Z0F-C008	2

DO NOT WASH CHARCOAL FILTERS. Charcoal filters may need to be changed more often depending on cooking habits.

# Features & Controls

## Slide Controls

❶ Blower On/Off Speed Selection

❷ Lights Off/Dim/Bright



### ❶ BLOWER ON/OFF/SPEED SELECTION

0 is off, I is low speed, II is medium speed and III is high speed.

### ❷ LIGHTS OFF/DIM/BRIGHT

0 is off, I is dim, and II is bright.



## Hood & Filter Cleaning

### Surface Maintenance

- ▶ Do not use corrosive detergents, abrasive detergents or oven cleaners.
- ▶ Do not use any product containing chlorine bleach or any product containing chloride.
- ▶ Do not use steel wool or abrasive scrubbing pads which will scratch and damage surface.

### Cleaning Stainless Steel

Clean periodically with warm soapy water and clean cotton cloth or micro fiber cloth. Always rub in the direction of the stainless steel grain. To remove heavier grease build up use a liquid degreaser detergent.

After cleaning use a non-abrasive stainless steel polish/cleaners, to polish and buff out the stainless luster and grain. Always scrub lightly, with clean cotton cloth or micro fiber cloth and buff in the direction of the stainless steel grain.

### Cleaning Filters

The filters installed by the factory are intended to filter out residue and grease from cooking. They need not be replaced on a regular basis but are required to be kept clean.

Remove and clean by hand or in dishwasher using a non-phosphate detergent. Discoloration of the filter may occur if using phosphate detergents, or as a result of local water conditions - but this will not affect filter performance. This discoloration is not covered by the warranty. Spray degreasing detergent and leave to soak if heavily soiled.

Dry filters and re-install before using hood.

# Maintenance

## Installing the Filters, FIG. I:

1. Place the back of filter into the back of the power pack.
2. Pull the filter latch while pivoting the filter upwards into the power pack.
3. Push filter all the way up and lock into place by releasing filter latch.

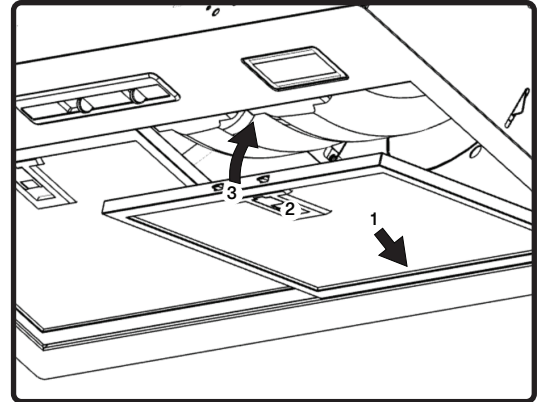


FIG. I

## LumiLight LED

In the unlikely event that your LumiLight LED fails, please contact Zephyr to order replacement parts.

See the list of parts and accessories page for part numbers and contact information.

### LED Removal (FIG. J):

1. Remove filters.
2. Disconnect LED light quick connector.
3. Push in the two side clips on the ends of the LED light.
4. Push LED light through the light panel opening.

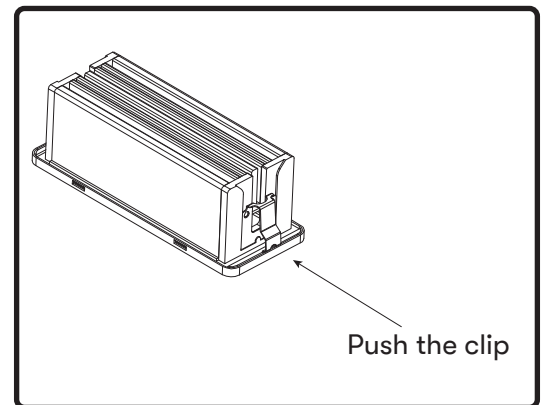
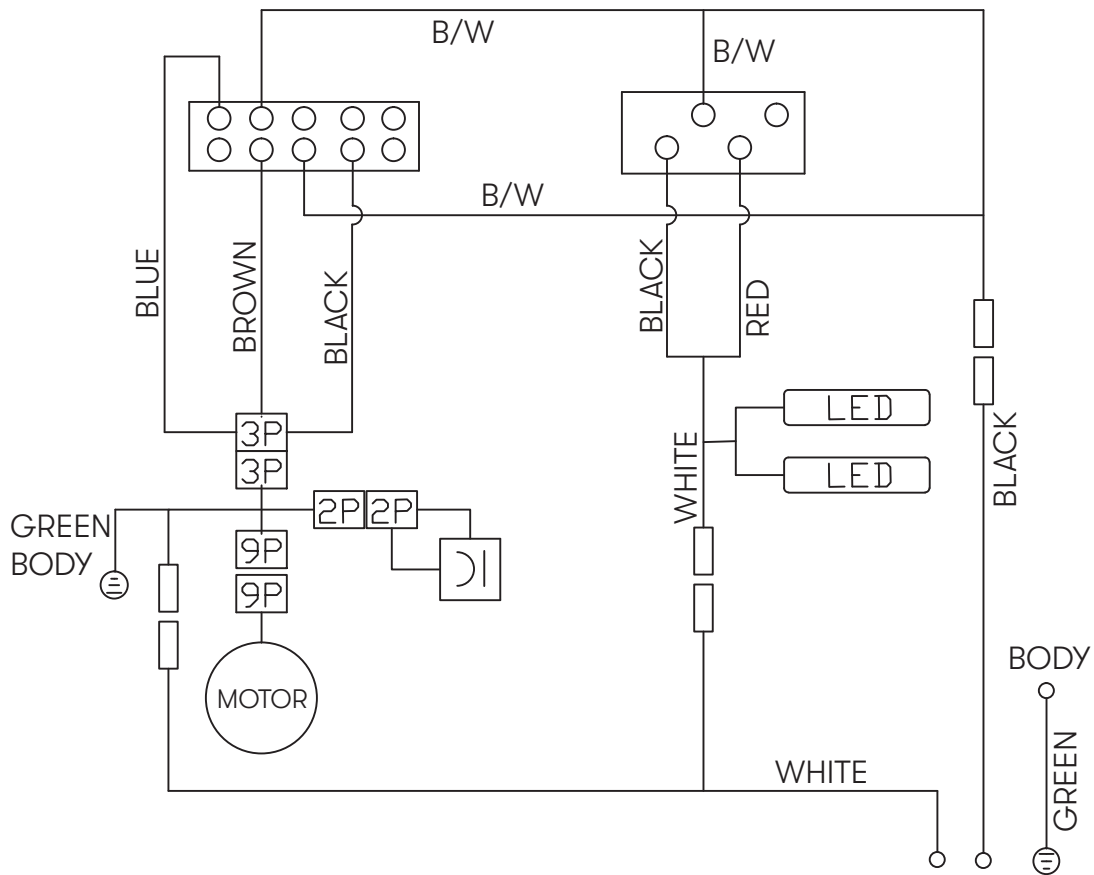


FIG. J

AK8000CS & AK8100BS Wiring Diagram	Volts	Hz	Max. Amps
	120	60	3



REMARKS:CONDENSER 25 $\mu$ F 250VAC FIT AC120V 60Hz

# Troubleshooting

Possible Problem	Possible Cause	Solutions
After installation, the unit doesn't work.	The power source is not turned ON.	Make sure the circuit breaker and the unit's power is ON.
	The power line and the cable locking connector is not connecting properly.	Check the power connection with the unit is connected properly.
Light works, but blower is not turning.	The blower is defective, possibly seized.	Change the blower.
	The thermally protected system detects if the blower is too hot to operate and shuts the blower down.	The blower will function properly after the thermally protected system cool down.
	Damaged capacitor.	Change the capacitor.
	The motor wire is not connected.	Make sure the motor wire is plugged into the molex connector.
The unit is vibrating.	The blower is not secured in place.	Tighten the blower in place.
	Damaged blower wheel.	Replace the blower.
	The hood is not secured in place.	Check the installation of the hood.
The unit is whistling.	A filter is not in the correct position.	Adjust the filters until the whistling stops.
	The duct pipe connections are not sealed or connected properly.	Check the duct pipe connections to be sure all connections are sealed properly.
The blower is working, but the lights are not.	The LED light connector is disconnected.	Connect the LED light connector.
	Defective LED light.	Change the LED light.
LumiLight LEDs flicker when changing speed levels.	N/A	This is a normal operation and the hood is working correctly.

Possible Problem	Possible Cause	Solutions
The hood is not venting out properly.	Using the wrong size of ducting.	Change the ducting to the correct size
	The hood might be hanging too high from the cook top.	Adjust the distance between the cooktop and the bottom of the hood within 24" to 36" for gas cooktops and 20" to 36" for electric cooktops.
	The wind from the opened windows or opened doors in the surrounding area are affecting the ventilation of the hood.	Close all the windows and doors to eliminate the outside wind flow.
	Blockage in the duct opening or ductwork.	Remove all the blocking from the duct work or duct opening.
Filter is vibrating.	Filter is loose.	Adjust or change the filter.
	Spring clip is broken on the filter.	Change the spring clip.

# List of Parts & Accessories

Description	Part Number
<b>Replacement Parts</b>	
LumiLight LED, 6W	ZOB0050
Aluminum Mesh Filter (each)	50200063
Hybrid Baffle Filter (each)	50210042
<b>Optional Accessories</b>	
Liner, 30"	AK0800AS
Liner, 36"	AK0836AS
Recirculating Kit	ZRC-0080

To order parts, visit us online at <http://store.zephyronline.com>.

**TO OBTAIN SERVICE UNDER WARRANTY OR FOR ANY SERVICE RELATED QUESTIONS****United States Customers please call: 1-888-880-8368 or contact us at: [zephyronline.com/contact](http://zephyronline.com/contact)****Canada Customers please call: 1-800-361-0799 or Email: [service@distinctive-online.com](mailto:service@distinctive-online.com)**

Zephyr Ventilation, LLC (referred to herein as “we” or “us”) warrants to the original consumer purchaser (referred to herein as “you” or “your”) of Zephyr products (the “Products”) that such Products will be free from defects in materials or workmanship as follows:

**Three Year Limited Warranty for Parts:** For three years from the date of your original purchase of the Products, we will provide, free of charge, Products or parts (including LED light bulbs, if applicable) to replace those that failed due to manufacturing defects subject to the exclusions and limitations below. We may choose, in our sole discretion, to repair or replace parts before we elect to replace the Products.

**One Year Limited Warranty for Labor:** For one year from the date of your original purchase of the Products, we will provide, free of charge, the labor cost associated with repairing the Products or parts to replace those that failed due to manufacturing defects subject to the exclusions and limitations below. After the first year from the date of your original purchase, you are responsible for all labor costs associated with this warranty.

**Warranty Exclusions:** This warranty covers only repair or replacement, at our option, of defective Products or parts and does not cover any other costs related to the Products including but not limited to: (a) normal maintenance and service required for the Products and consumable parts such as fluorescent, incandescent or halogen light bulbs, mesh and charcoal filters and fuses; (b) any Products or parts which have been subject to freight damage, misuse, negligence, accident, faulty installation or installation contrary to recommended installation instructions, improper maintenance or repair (other than by us); (c) commercial or government use of the Products or use otherwise inconsistent with its intended purpose; (d) natural wear of the finish of the Products or wear caused by improper maintenance, use of corrosive and abrasive cleaning products, pads, and oven cleaner products; (e) chips, dents or cracks caused by abuse or misuse of the Products; (f) service trips to your home to teach you how to use the Products; (g) damage to the Products caused by accident, fire, floods, acts of God; or (h) Custom installations or alterations that impact serviceability of the Products. If you are outside our service area, additional charges may apply for shipping costs for warranty repair at our designated service locations and for the travel cost to have a service technician come to your home to repair, remove or reinstall the Products. After the first year from the date of your original purchase, you are also responsible for all labor costs associated with this warranty. All Products must be installed by a qualified professional installer to be eligible for warranty repairs or service.

**Limitations of Warranty. OUR OBLIGATION TO REPAIR OR REPLACE, AT OUR OPTION, SHALL BE YOUR SOLE AND EXCLUSIVE REMEDY UNDER THIS WARRANTY. WE SHALL NOT BE LIABLE FOR INCIDENTAL, CONSEQUENTIAL OR SPECIAL DAMAGES ARISING OUT OF OR IN CONNECTION WITH THE USE OR PERFORMANCE OF THE PRODUCTS. THE EXPRESS WARRANTIES IN THE PRECEDING SECTION ARE EXCLUSIVE AND IN LIEU OF ALL OTHER EXPRESS WARRANTIES. WE HEREBY DISCLAIM AND EXCLUDE ALL OTHER EXPRESS WARRANTIES FOR THE PRODUCTS, AND DISCLAIM AND EXCLUDE ALL WARRANTIES IMPLIED BY LAW, INCLUDING THOSE OF MERCHANTABILITY AND FITNESS FOR A PARTICULAR PURPOSE.**

Some states or provinces do not allow limitations on the duration of an implied warranty or the exclusion or limitation of incidental or consequential damages, so the above limitations or exclusions may not apply to you. To the extent that applicable law prohibits the exclusion of implied warranties, the duration of any applicable implied warranty is limited to the same three-year and one-year periods described above if permitted by applicable law. Any oral or written description of the Products is for the sole purpose of identifying the Products and shall not be construed as an express warranty. Prior to using, implementing or permitting use of the Products, you shall determine the suitability of the Products for the intended use, and you shall assume all risk and liability whatsoever in connection with such determination. We reserve the right to use functionally equivalent refurbished or reconditioned parts or Products as warranty replacements or as part of warranty service. This warranty is not transferable from the original purchaser and only applies to the consumer residence where the Product was originally installed located in the United States and Canada. This warranty is not extended to resellers.

**To Obtain Service Under Limited Warranty:** To qualify for warranty service, you must: (a) notify us at the address or telephone number stated below within 60 days of the discovery of the defect; (b) give the model number and serial number; and (c) describe the nature of any defect in the Product or part. At the time of the request for warranty service, you must present evidence of your proof of purchase and proof of the original purchase date. If we determine that the warranty exclusions listed above apply or if you fail to provide the necessary documentation to obtain service, you will be responsible for all shipping, travel, labor and other costs related to the services. This warranty is not extended or restarted upon warranty repair or replacements.

Please check our website for any additional Product information, [www.zephyronline.com](http://www.zephyronline.com)

**Zephyr, 2277 Harbor Bay Parkway, Alameda, CA 94502**

# Product Registration

Congratulations on the purchase of your Zephyr product! Please take a moment to register your new Zephyr product at [www.zephyronline.com/registration](http://www.zephyronline.com/registration)

## IT'S IMPORTANT

Prompt registration helps in more ways than one.

- Ensures warranty coverage should you need service.
- Ownership verification for insurance purposes.
- Notification of product changes or recalls.



Zephyr Ventilation | 2277 Harbor Bay Pkwy. | Alameda, CA 94502 | 1.888.880.8368

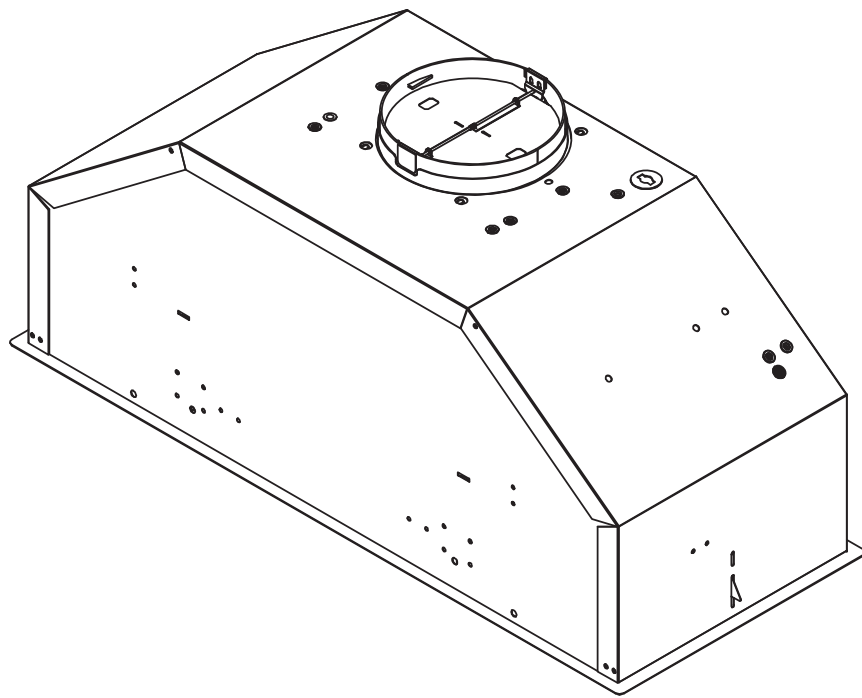


## Twister AK8000CS

## Tornado I AK8100BS

EN Use, Care, and Installation Guide

FR Guide d'utilisation, d'entretien et d'installation





---

	Page
<b>Consignes de sécurité</b> .....	<b>4-6</b>
Types d'avertissements de sécurité .....	4
Sécurité générale.....	4-5
Opération .....	6
Exigences électriques .....	6
<b>Liste de matériel</b> .....	<b>7</b>
<b>Instructions d'installation</b> .....	<b>8-15</b>
Feuille de calcul pour le conduit d'aération.....	8
Hauteur de montage, dégagement et gaine .....	9
Options de conduits .....	10
Spécifications de la hotte .....	11
Fourniture électrique .....	12
Raccord de câble .....	12
Montage de la hotte .....	13-14
Recirculation sans conduit.....	15
<b>Fonctionnalités et commandes</b> .....	<b>16</b>
Commandes à glissière .....	16
<b>Entretien</b> .....	<b>17-18</b>
Nettoyage de la hotte et du filtre.....	17-18
LumiLight LED .....	18
<b>Schéma de câblage</b> .....	<b>19</b>
<b>Dépannage</b> .....	<b>20-21</b>
<b>Liste des pièces et accessoires</b> .....	<b>22</b>
<b>Garantie limitée</b> .....	<b>23</b>
<b>Enregistrement du produit</b> .....	<b>24</b>

# Consignes de sécurité

## LISEZ ET CONSERVEZ CES INSTRUCTIONS

**Votre sécurité et celle des gens qui vous entourent sont très importantes.**

Ce manuel contient de nombreux messages de sécurité relatifs à votre appareil. Lisez tous les messages et conformez-vous-y en tout temps.



Voici le symbole d'alerte à la sécurité. Ce symbole vous informe de possibles dangers qui pourraient entraîner de graves lésions corporelles ou la mort. Tous les messages de sécurité suivent le symbole d'alerte à la sécurité et comportent les mots « **DANGER** », « **AVERTISSEMENT** » ou « **ATTENTION** ».

**DANGER**

Le mot « danger » signifie que le fait de ne pas tenir compte de l'énoncé de sécurité peut entraîner une blessure grave ou la mort.

**AVERTISSEMENT**

Le mot « avertissement » signifie que le fait de ne pas tenir compte de l'énoncé de sécurité peut entraîner des dommages importants au produit, une lésion corporelle grave ou la mort.

**ATTENTION**

Le mot « attention » signifie que le fait de ne pas tenir compte de l'énoncé de sécurité peut entraîner une lésion corporelle mineure ou modérée, ou encore des dommages au produit ou à la propriété.

### Sécurité générale

**ATTENTION**

Pour réduire le risque d'incendie ou de choc électrique, n'utilisez pas ce ventilateur avec un dispositif de commande à semi-conducteurs.

**AVERTISSEMENT**

AVERTISSEMENT - POUR RÉDUIRE LES RISQUES D'INCENDIE, DE CHOC ÉLECTRIQUE OU DE BLESSURES AUX PERSONNES, RESPECTEZ LES SUIVANTS:

- N'utilisez cet appareil que de la manière prévue par le fabricant. Si vous avez des questions, contactez le fabricant.
- Avant l'entretien ou le nettoyage de l'unité, coupez l'alimentation au panneau de service et verrouillez les moyens de déconnexion de service pour éviter toute mise sous tension accidentelle. Lorsque le moyen de déconnexion de service ne peut pas être verrouillé, fixez solidement un dispositif d'avertissement bien visible, tel qu'une étiquette, au panneau de service.

**ATTENTION**

Pour Une Ventilation Générale Uniquement. Ne Pas Utiliser Pour Évacuer Des Matières Et Des Vapeurs Dangereuses Ou Explosives. Soyez prudent lorsque vous utilisez des produits de nettoyage pour détergents. Convient pour une utilisation dans la zone de cuisson domestique.

**AVERTISSEMENT**

AVERTISSEMENT - POUR RÉDUIRE LE RISQUE D'INCENDIE DE GRAISSE SUR LE HAUT DE CUISINIÈRE:

- Ne laissez jamais les unités de surface sans surveillance à des réglages élevés. Les débordements provoquent de la fumée et des débordements graisseux qui peuvent s'enflammer. Chauffer les huiles lentement à des réglages faibles ou moyens.
- Allumez toujours la hotte lorsque vous cuisinez à feu vif ou lorsque vous flambez des aliments. (c'est-à-dire Crêpes Suzette, Cerises Jubilee, Boeuf au Poivre Flambé »).
- Nettoyez fréquemment les ventilateurs de ventilation. La graisse ne doit pas s'accumuler sur le ventilateur ou le filtre.
- Utilisez une taille de casserole appropriée. Utilisez toujours des ustensiles de cuisine adaptés à la taille de l'élément de surface.

## LISEZ ET CONSERVEZ CES INSTRUCTIONS



AVERTISSEMENT - POUR RÉDUIRE LE RISQUE DE BLESSURE DES PERSONNES EN CAS D'INCENDIE DE GRAISSE SUR LE HAUT DE LA CUISINIÈRE, RESPECTEZ CE QUI SUIT<sup>o</sup>:

a) DES FLAMMES PLUS INTELLIGENTES avec un couvercle bien ajusté, une plaque à biscuits ou un plateau en métal, puis éteignez le brûleur. FAITES ATTENTION À ÉVITER LES BRÛLURES. Si les flammes ne s'éteignent pas immédiatement, ÉVACUER ET APPELER LE DÉPARTEMENT DES INCENDIES.

b) NE JAMAIS RAMASSER UNE PLAQUE ENFLAMME - Vous pourriez être brûlé.

c) N'UTILISEZ PAS D'EAU, ni de torchons ou de serviettes humides - une violente explosion de vapeur en résultera.

d) Utilisez un extincteur UNIQUEMENT si:

- 1) Vous savez que vous possédez un extincteur de classe ABC et vous savez déjà comment l'utiliser.
- 2) Le feu est petit et contenu dans la zone où il a commencé.
- 3) Le service d'incendie est appelé.
- 4) Vous pouvez combattre le feu dos à une sortie

<sup>o</sup>Basé sur "Kitchen Firesafety Tips" publié par la NFPA.



AVERTISSEMENT  
POUR RÉDUIRE LES RISQUES D'INCENDIE, UTILISEZ  
UNIQUEMENT DES CONDUITS MÉTALLIQUES.



Pour réduire les risques d'incendie et pour évacuer correctement l'air extérieur, ne pas évacuer l'air évacué dans les espaces à l'intérieur des murs, plafonds, greniers, vides sanitaires ou garages.



AVERTISSEMENT - POUR RÉDUIRE LES RISQUES D'INCENDIE, DE DÉCHARGE ÉLECTRIQUE OU DE BLESSURES AUX PERSONNES, RESPECTEZ CE QUI SUIT:

a) Les travaux d'installation et le câblage électrique doivent être effectués par des personnes qualifiées conformément à tous les codes et normes applicables, y compris la construction résistant au feu.

b) Une quantité d'air suffisante est nécessaire pour une combustion et une évacuation correctes des gaz par le conduit de fumée (cheminée) de l'équipement à combustible pour empêcher le refoulement. Suivez les directives et les normes de sécurité du fabricant de l'équipement de chauffage, telles que celles publiées par la National Fire Protection Association (NFPA), l'American Society for Heating, Refrigeration and Air Conditioning Engineers (ASHRAE) et les autorités locales du code.

c) Lorsque vous coupez ou percez dans un mur ou un plafond, n'endommagez pas le câblage électrique et les autres services publics cachés.

d) Les ventilateurs à conduit doivent toujours être ventilés vers l'extérieur.

e) Si cet appareil doit être installé au-dessus d'une baignoire ou d'une douche, il doit être marqué comme approprié pour l'application et être connecté à un circuit de dérivation protégé par un disjoncteur de fuite à la terre (GFCI).



**Prop. 65 Avertissement pour les résidents de Californie:** Ce produit peut contenir des produits chimiques reconnus par l'État de Californie comme pouvant provoquer le cancer, des malformations congénitales ou d'autres troubles de la reproduction.

# Consignes de sécurité

## LISEZ ET CONSERVEZ CES INSTRUCTIONS

### Opération

- ▶ Laissez toujours les grilles de sécurité et les filtres en place. Sans ces composants, les soufflantes en fonctionnement pourraient s'accrocher aux cheveux, aux doigts et aux vêtements amples.
- ▶ Le fabricant décline toute responsabilité en cas de non-respect des instructions données ici pour l'installation, la maintenance et l'utilisation appropriée du produit. Le fabricant décline en outre toute responsabilité en cas de blessure due à une négligence et la garantie de l'unité expire automatiquement en raison d'un mauvais entretien.

**REMARQUE:** veuillez consulter [www.zephyronline.com](http://www.zephyronline.com) pour les révisions avant d'effectuer tout travail personnalisé.

### Exigences électriques

#### Important:

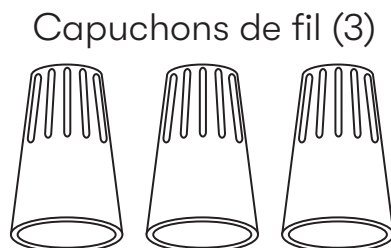
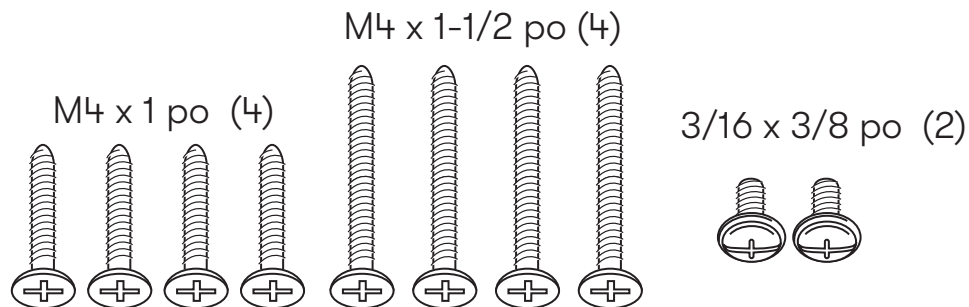
- ▶ Respectez tous les codes et ordonnances en vigueur.
- ▶ Il est de la responsabilité du client d'en prendre connaissance ci-dessous:
- ▶ Pour contacter un installateur électrique qualifié.
- ▶ Pour garantir que l'installation électrique est adéquate et conforme au National Electrical Code, ANSI / NFPA 70 dernière édition \* ou aux normes CSA C22.1-94, Code canadien de l'électricité, partie 1 et C22.2 No.0-M91 - dernière édition \*\* et tous les codes et ordonnances locaux.
- ▶ Si les codes le permettent et qu'un fil de terre séparé est utilisé, il est recommandé qu'un électricien qualifié détermine que le chemin de terre est adéquat.
- ▶ Ne pas mettre à la terre un tuyau de gaz.
- ▶ Vérifiez auprès d'un électricien qualifié si vous n'êtes pas sûr que la hotte est correctement mise à la terre.
- ▶ Ne pas avoir de fusible dans le circuit neutre ou de terre.
- ▶ Cet appareil nécessite une alimentation électrique de 120 V à 60 Hz et est connecté à un circuit de dérivation individuel correctement mis à la terre protégé par un disjoncteur de 15 ou 20 ampères ou un fusible temporisé. Le câblage doit être à 2 fils avec mise à la terre. Veuillez également vous référer au schéma électrique du produit.
- ▶ Un connecteur de verrouillage de câble (non fourni) peut également être requis par les codes locaux. Vérifiez les exigences locales, achetez et installez le connecteur approprié si nécessaire.

\* National Fire Protection Association Batterymarch Park, Quincy, Massachusetts 02269

\*\* CSA International 8501 East Pleasant Valley Road, Cleveland, Ohio 44131-5575

**Pièces fournies**



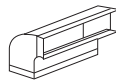

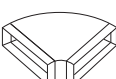
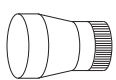



Quantité	Partie
1	Bloc d'alimentation
2	Filtre à mailles en aluminium (AK8000CS)
2	Filtre à chicane hybride (AK8100BS)
2	LumiLight LED, 6 W (pré-installé)
1	Ventilateur interne unique (pré-installé)
1	Capuchon métallique rond (pour couvrir l'ouverture du conduit lors de la conversion en conduit horizontal)
1	Pack matériel

**Pièces non fournies**

Conduits, conduits et tous les outils d'installation
Connecteur de verrouillage de câble (si requis par les codes locaux)
Doublure en acier inoxydable en option (AK08xxAS)
Kit de recirculation en option (ZRC-0080)


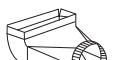



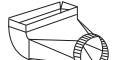



# Instructions d'installation

## Feuille de calcul pour le conduit d'aération

Pièces de conduit		Longueur x	Nombre utilisé	=	Total
	3-1/4" x 10" rect., droit	1 pi	x ( ) =		pi
	6", 7", 8", 10" circ., droit	1 pi	x ( ) =		pi
	3-1/4" x 10" rect., coude à 90°	15 pi	x ( ) =		pi
	3-1/4" x 10" rect., coude à 45°	9 pi	x ( ) =		pi
	3-1/4" x 10" rect., coude plat à 90°	24 pi	x ( ) =		pi
	7" to 6" or 8" to 7" circ. reducteur conique	25 pi	x ( ) =		pi
	6", 7", 8" circ. bouchone de l'air	15 pi	x ( ) =		pi
	6", 7", 8", 10" circ., coude à 90°	15 pi	x ( ) =		pi
	6", 7", 8", 10" coude à 45°	9 pi	x ( ) =		pi
Sous-total - colonne 1 =					pi

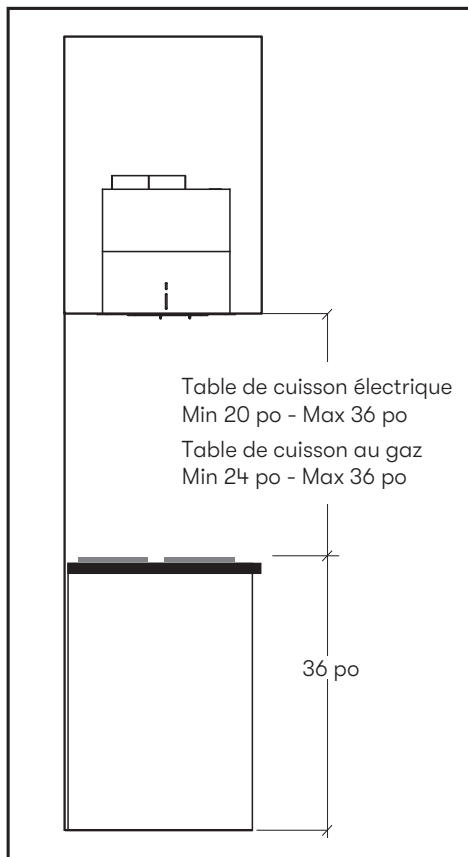
### Longueur maximale du conduit d'aération :

Pour un mouvement d'air convenable, la longueur totale d'un conduit d'aération ne devrait pas compter plus que l'équivalent de 150 pieds.

Pièces de conduit		Longueur x	Nombre utilisé	=	Total
	6" circ. à rect. de 3-1/4" x 10"	5 pi	x ( ) =		pi
	6" circ. à rect. de 3-1/4" x 10", coude à 90°	20 pi	x ( ) =		pi
	6" circ. à rect. de 3-1/4" x 10"	1 pi	x ( ) =		pi
	6" circ. à rect. de 3-1/4" x 10", coude à 90°	16 pi	x ( ) =		pi
	7" circ. à rect. de 3-1/4" x 10"	8 pi	x ( ) =		pi
	7" circ. à rect. de 3-1/4" x 10", coude à 90°	23 pi	x ( ) =		pi
	3-1/4" x 10" embout mural rect./registre	30 pi	x ( ) =		pi
	6", 7", 8", 10" embout mural circ./registre	30 pi	x ( ) =		pi
	6", 7", 8", 10" chapeau de toiture circ.	30 pi	x ( ) =		pi
Sous-total - colonne 2 =					pi
Sous-total - colonne 1 =					pi
Total du conduit =					pi



## Hauteur de montage, dégagement et gaine



Un conduit vertical ou horizontal rond d'au moins 6 po doit être utilisé pour maintenir une efficacité maximale du débit d'air. Utilisez toujours uniquement des conduits métalliques de type rigide. Les conduits flexibles peuvent restreindre le débit d'air jusqu'à 50%.

Utilisez également le calcul (à la page 8) pour calculer la longueur totale de conduit disponible lorsque vous utilisez des coudes, des transitions et des capuchons.

**TOUJOURS**, lorsque cela est possible, réduire le nombre de transitions et de virages. Si un long trajet de conduit est nécessaire, augmentez la taille du conduit.

Si des virages ou des transitions sont nécessaires; installer aussi loin que possible de la sortie du conduit de la hotte et aussi loin que possible entre les deux.

La hauteur minimale de montage entre le haut de la cuisinière et le bas de la hotte ne doit pas être inférieure à 24 po au-dessus des tables de cuisson à gaz et à 20 po au-dessus des tables de cuisson électriques.

La hauteur de montage maximale ne doit pas dépasser 36 po.

Il est important d'installer la hotte à la bonne hauteur de montage. Les hottes montées trop bas peuvent entraîner des dommages causés par la chaleur et un risque d'incendie; tandis que les hottes montées trop haut seront difficiles à atteindre et perdront leurs performances et leur efficacité.


Si disponible, reportez-vous également aux exigences de dégagement en hauteur du fabricant de la cuisinière et à la hauteur de montage recommandée de la hotte au-dessus de la cuisinière.

### Pour les dommages liés à l'expédition et à l'installation:


- ▶ Veuillez inspecter complètement l'unité pour déceler tout dommage avant l'installation. Si l'appareil est endommagé lors de l'expédition, renvoyez-le au magasin où il a été acheté pour réparation ou remplacement.
- ▶ Si l'appareil est endommagé par le client, la réparation ou le remplacement est à la charge du client.
- ▶ Si l'unité est endommagée par l'installateur (si autre que le client), la réparation ou le remplacement doit être effectuée par arrangement entre le client et l'installateur.

# Instructions d'installation

## Options de conduits

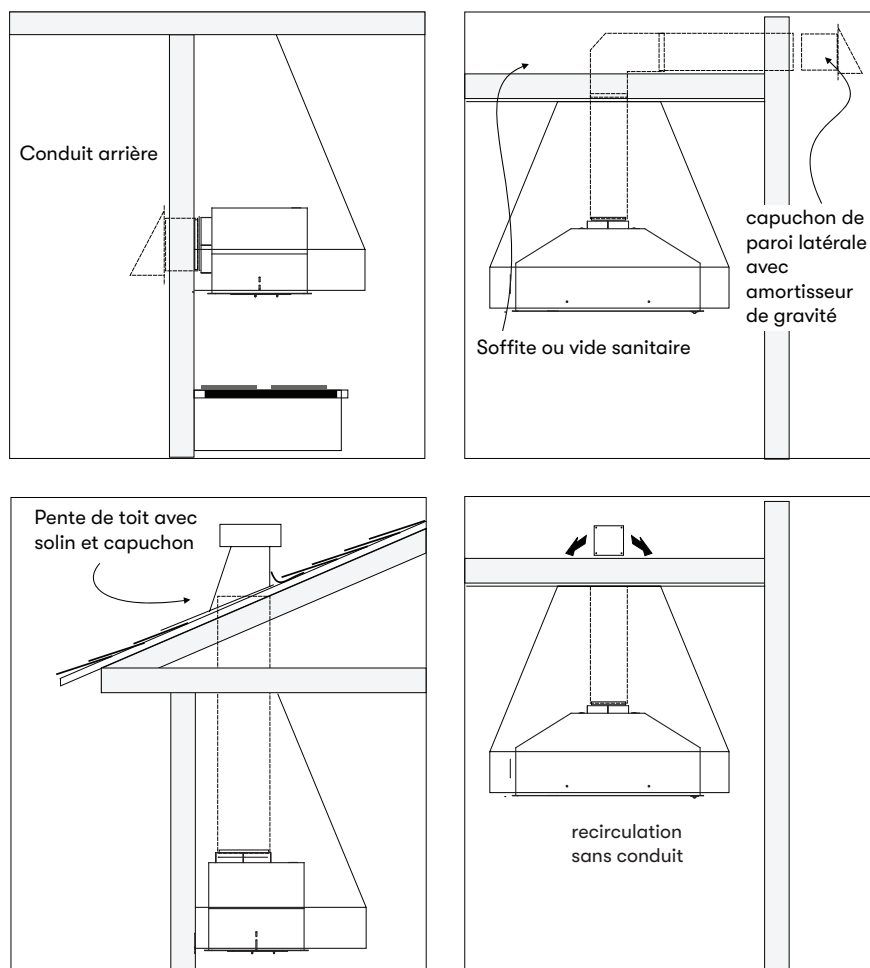


# ATTENTION

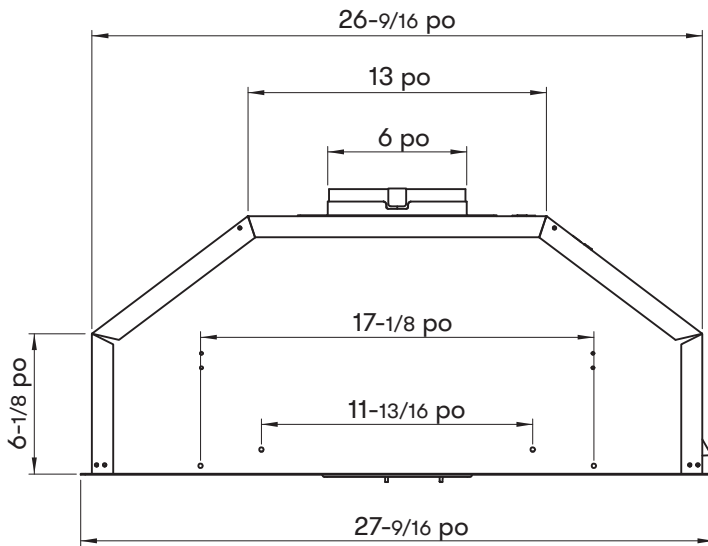


**Risque d'incendie:** NE JAMAIS évacuer l'air ni terminer de conduits dans des espaces entre les murs, les vides sanitaires, les plafonds, les greniers ou les garages. Tout l'échappement doit être canalisé vers l'extérieur, à moins d'utiliser l'option de recirculation.

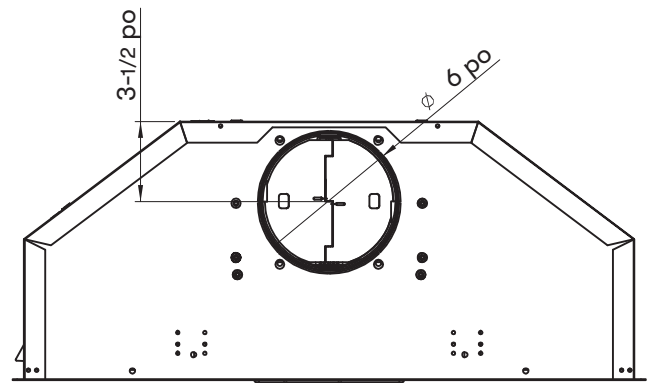
- ▶ Utilisez uniquement des conduits métalliques rigides à paroi simple.
- ▶ Fixez toutes les connexions avec des vis à tôle et collez tous les joints avec du ruban argenté ou du ruban adhésif.



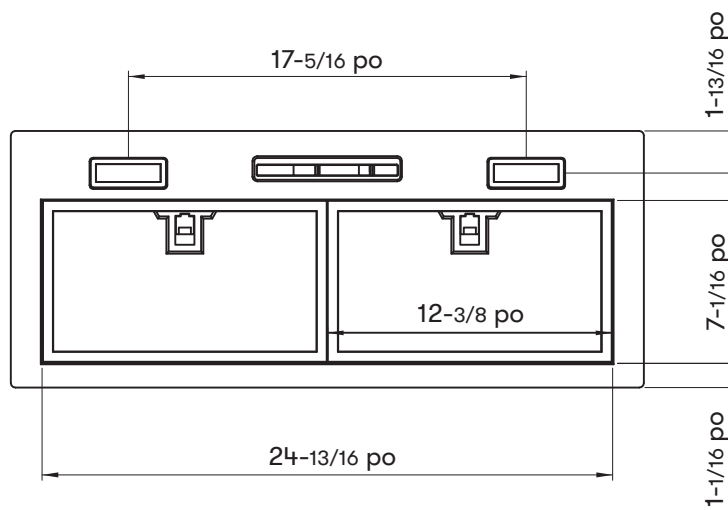
## Spécifications de la hotte



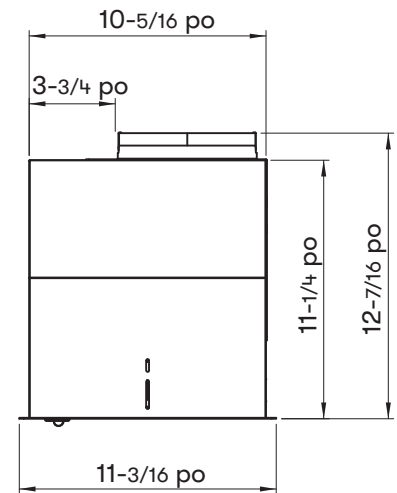
DE FACE



RETOUR



BAS



CÔTÉ

# Instructions d'installation

## Fourniture électrique



# ATTENTION



Le câblage électrique doit être effectué par des personnes qualifiées conformément à tous les codes et normes applicables.  
 Cette hotte doit être correctement mise à la terre. Coupez l'alimentation électrique à l'entrée de service avant le câblage.

Pour votre sécurité personnelle, retirez le fusible de la maison ou ouvrez le disjoncteur avant de commencer l'installation. N'utilisez pas de rallonge ni de fiche d'adaptateur avec cet appareil.

**Suivez les codes électriques nationaux ou les codes et règlements locaux en vigueur.**

Cet appareil nécessite une alimentation électrique de 120 V 60 Hz et est connecté à un circuit de dérivation individuel correctement mis à la terre, protégé par un disjoncteur de 15 ou 20 ampères ou un fusible temporisé. Le câblage doit être à 2 fils avec terre. Veuillez également vous référer au schéma électrique étiqueté sur le produit.

## Raccord de câble

Un connecteur de verrouillage de câble (non fourni) peut être requis par les codes locaux. Vérifiez les exigences et les codes locaux, achetez et installez le connecteur approprié si nécessaire. (FIG. A)

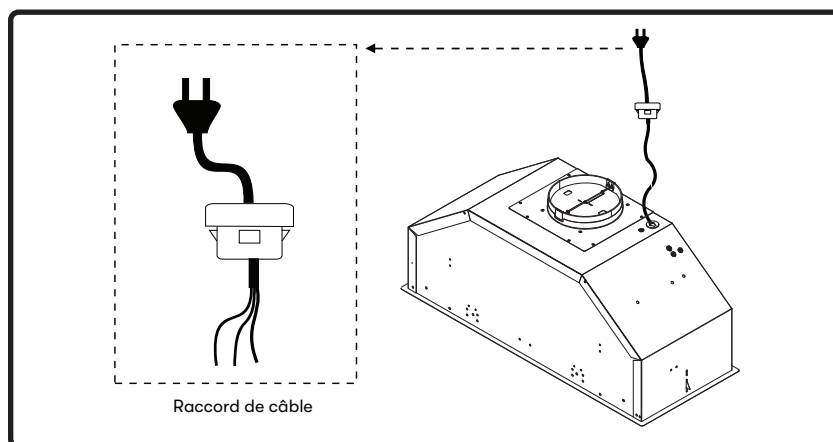


FIG. A

## Montage de la hotte



1. Installez une doublure en acier inoxydable AK08xxAS en option. Consultez le manuel inclus avec la doublure pour plus de détails. Si aucune doublure n'est utilisée, découpez une ouverture dans le bas de l'armoire en suivant les dimensions de la FIG. B.
2. Retirez les (6) vis des supports intérieurs de la plaque frontale de la FIG. C. Débranchez le câblage et retirez la plaque frontale.
3. Si vous conduisez verticalement, passez à l'étape 5. Si vous conduisez horizontalement, dégagez le trou de 6 po du conduit arrière avant d'installer la hotte.
4. Soulevez le bloc d'alimentation dans l'ouverture et assurez-vous que le clip de verrouillage est verrouillé en position. Le clip de verrouillage est situé sur le côté gauche du bloc d'alimentation. FIG. D.
5. Fixez (2) vis M4 dans chaque côté long du bloc d'alimentation. Si une doublure est utilisée, les vis passeront par les trous de montage du bloc d'alimentation, puis la doublure et dans la base en bois.

**REMARQUE:** Des blocs de bois peuvent devoir être ajoutés à la base de l'armoire si un support supplémentaire est nécessaire. Reportez-vous à la FIG. E.

6. Si le conduit est horizontal, continuez les instructions à la page 14.
7. Installer les conduits et sceller avec du ruban adhésif. Installez l'électricité et reconnectez tout le câblage.
8. Retirez tous les matériaux d'emballage avant d'utiliser le bloc d'alimentation. Mettez sous tension et vérifiez s'il y a des fuites autour du ruban adhésif. Installez la plaque frontale et les filtres.

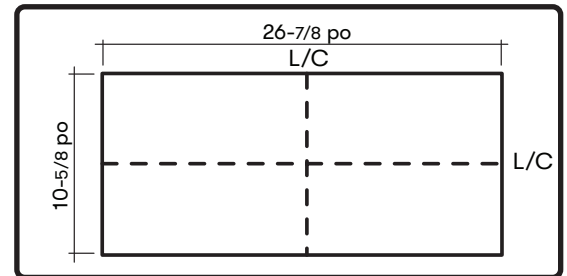


FIG. B

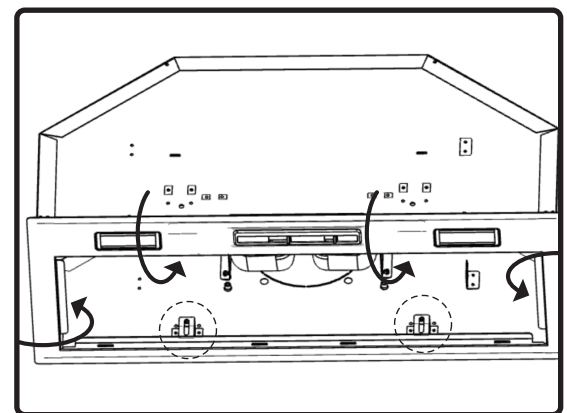


FIG. C

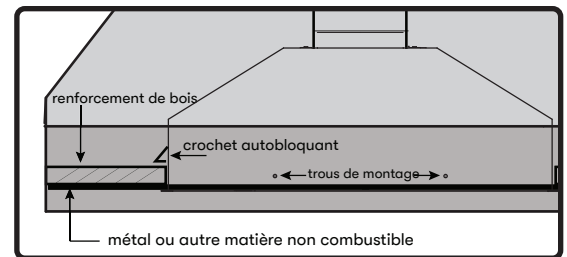


FIG. D

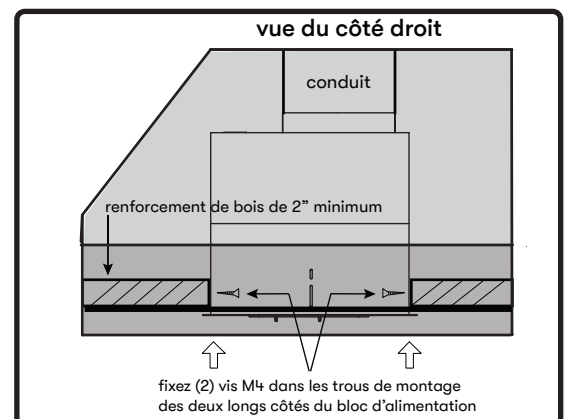


FIG. E

# Instructions d'installation

## Montage de la hotte

Ignorez ces étapes si la hotte est à conduit verticalement.

### Instructions pour les conduits horizontaux

1. Retirez les (4) vis de la FIG. Vis F et (4) de la FIG. G.
2. Sortez le moteur de la position verticale de la gaine.
3. Orientez le moteur en position de gaine horizontale.
4. Installez le moteur et fixez-le en place avec des vis.
5. Continuez à l'étape 8 à la page 13.

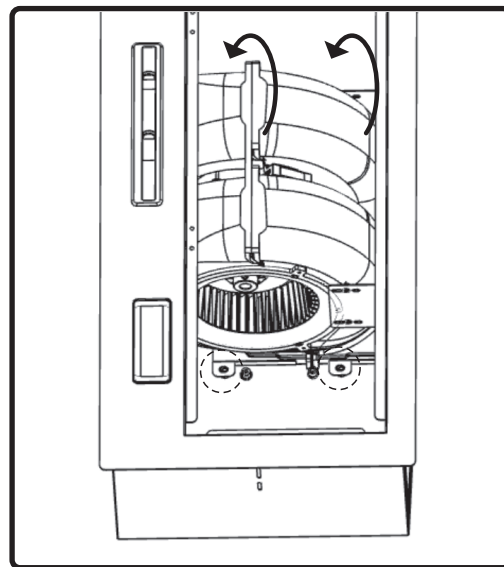


FIG. F

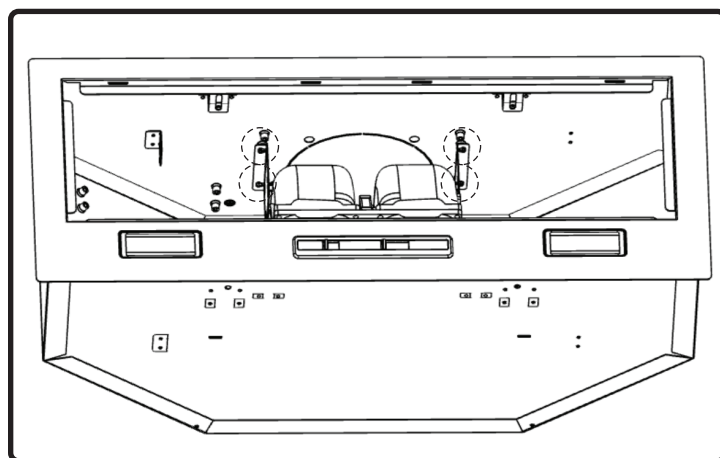


FIG. G

## Recirculation sans conduit

La recirculation sans conduit est destinée aux applications où un conduit d'évacuation ne peut pas être installé. Une fois convertie, la hotte fonctionne comme une hotte à recirculation plutôt que comme une hotte aspirante. Les fumées et les gaz d'échappement de la cuisson sont aspirés et filtrés par un ensemble de filtres à charbon en option. L'air est ensuite purifié et recyclé dans la maison.

Nous recommandons de TOUJOURS évacuer l'air à l'extérieur de la maison en utilisant des conduits existants ou en installant de nouveaux conduits, si possible. La hotte est la plus efficace et la plus efficace en tant que hotte aspirante. Ce n'est que lorsque l'option d'échappement n'est pas possible que vous devriez recourir à la conversion de la hotte en hotte à recirculation.

Lorsqu'il est converti en hotte à recirculation, un ensemble de filtres à charbon est requis en plus de son ensemble de filtres métalliques standard. Commandez selon son numéro de pièce ci-dessous. Les filtres à mailles standard sont destinés à capturer les résidus de cuisson, et les filtres à charbon en option aident à purifier les fumées épuisées de la cuisson pour la recirculation.

## Installation du kit de recirculation (requis si aucun conduit n'est utilisé)

Pour des instructions d'installation détaillées, veuillez vous référer au manuel inclus avec le kit de recirculation.

Modèle de capot	Numéro d'article	Quantité à commander
AK8000CS	ZRC-0080	1
AK8100BS	ZRC-0080	1

1. Achetez un kit de recirculation conformément au numéro de pièce ci-dessus. Retirez les filtres de la hotte. Placez le filtre à charbon à l'arrière des filtres.
2. Placez les supports de filtre sur le filtre à charbon et fixez-les en place en repliant chaque extrémité du support sous le cadre du filtre. FIG. H. Réinstallez les filtres.

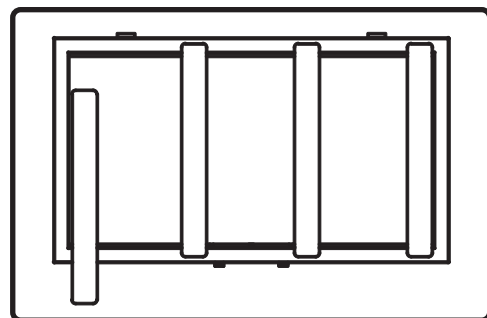


FIG. H

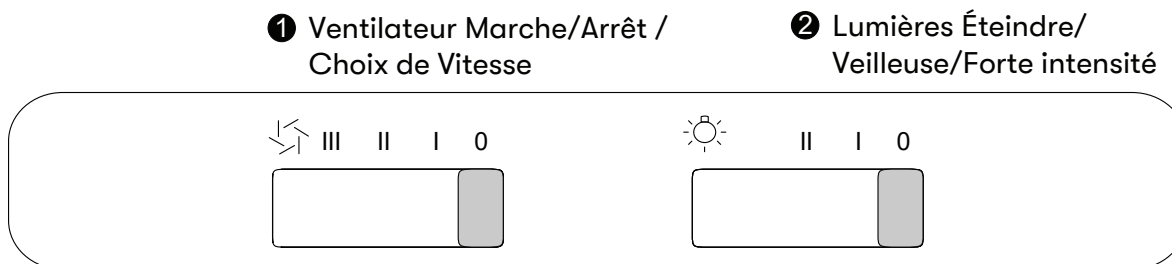
Commandez les filtres à charbon de rechange comme suit:

Modèle de capot	Numéro d'article	Quantité à commander
AK8000CS	ZOF-C008	2
AK8100BS	ZOF-C008	2

**NE LAVEZ PAS LES FILTRES À CHARBON.** Les filtres à charbon peuvent devoir être changés plus souvent en fonction des habitudes de cuisson.

# Fonctionnalités et commandes

## Commandes à glissière



### 1 Ventilateur Marche/Arrêt/Choix de Vitesse

À 0 l'appareil est éteint; I équivaut à la vitesse lente, II à la vitesse moyenne et III à la vitesse maximale.

### 2 Lumières Éteindre/Forte intensité/Veilleuse

À 0 la lampe est éteinte, I équivaut à la veilleuse et II à la forte intensité.



---

## Nettoyage de la hotte et du filtre

### Entretien de surface

- ▶ N'utilisez pas de détergents corrosifs, de détergents abrasifs ou de nettoyeurs pour four.
- ▶ N'utilisez aucun produit contenant un agent de blanchiment chloré ou un produit contenant du chlorure.
- ▶ N'utilisez pas de laine d'acier ou de tampons à récurer abrasifs qui pourraient rayer et endommager la surface.

### Nettoyage de l'acier inoxydable

Nettoyez périodiquement avec de l'eau chaude savonneuse et un chiffon en coton propre ou un chiffon en microfibres. Frottez toujours dans le sens du grain de l'acier inoxydable. Pour éliminer les accumulations de graisse plus lourdes, utilisez un détergent dégraissant liquide.

Après le nettoyage, utilisez un produit de polissage / nettoyant pour acier inoxydable non abrasif pour polir et polir le lustre et le grain de l'acier inoxydable. Frottez toujours légèrement avec un chiffon en coton propre ou en microfibres et polissez dans le sens du grain de l'acier inoxydable.

### Nettoyage des filtres

Les filtres installés par l'usine sont destinés à filtrer les résidus et les graisses de cuisson. Ils n'ont pas besoin d'être remplacés régulièrement mais doivent être maintenus propres.

Retirer et nettoyer à la main ou au lave-vaisselle avec un détergent sans phosphate. Une décoloration du filtre peut se produire si vous utilisez des détergents phosphatés ou en raison des conditions locales de l'eau - mais cela n'affectera pas les performances du filtre. Cette décoloration n'est pas couverte par la garantie. Vaporiser un détergent dégraissant et laisser tremper s'il est très sale. Séchez les filtres et réinstallez-les avant d'utiliser la hotte.

# Entretien

## Installation des filtres, FIG. I:

1. Placez l'arrière du filtre à l'arrière du bloc d'alimentation.
2. Tirez le loquet du filtre tout en faisant pivoter le filtre vers le haut dans le bloc d'alimentation.
3. Poussez le filtre à fond et verrouillez-le en place en relâchant le loquet du filtre.

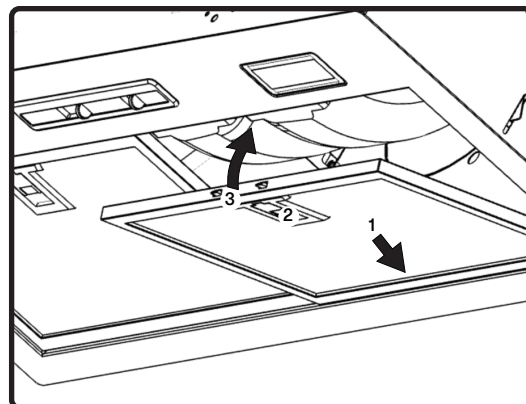


FIG. I

## LumiLight LED

Dans le cas peu probable où votre LumiLight LED tombe en panne, veuillez contacter Zephyr pour commander des pièces de rechange.

Consultez la page de la liste des pièces et accessoires pour les numéros de pièces et les coordonnées.

## Retrait de la LED (FIG. J):

1. Retirez les filtres.
2. Débranchez le connecteur rapide de la lumière LED.
3. Poussez les deux clips latéraux aux extrémités de la lumière LED.
4. Poussez la lumière LED à travers l'ouverture du panneau lumineux.

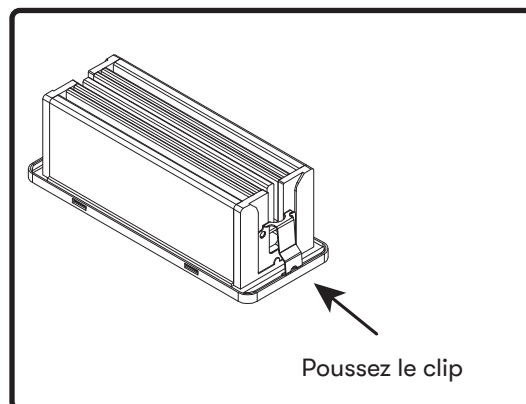
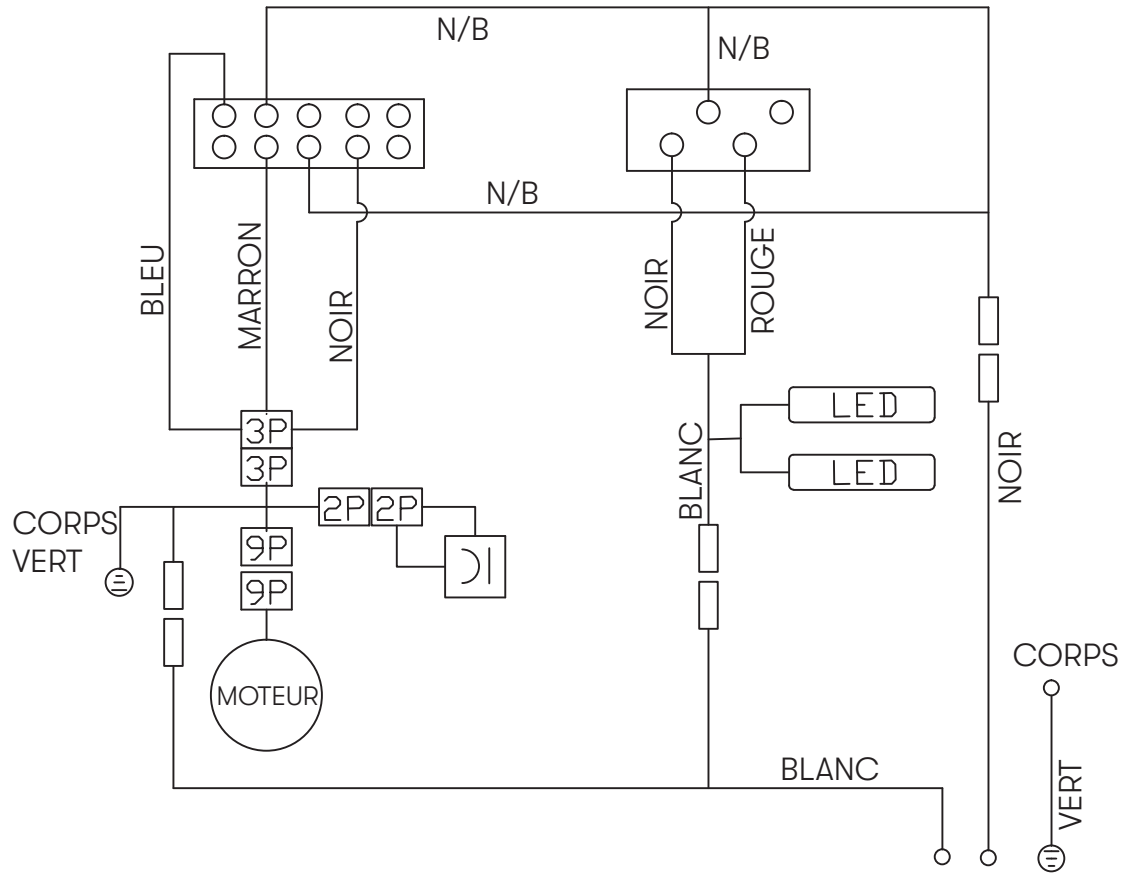


FIG. J

AK8000CS & AK8100BS Schéma de câblage	Volts	Hz	Max. Amps
	120	60	3



REMARQUES: CONDENSEUR 25 $\mu$ F 250VAC FIT AC120V 60Hz

# Dépannage

Problème possible	Cause possible	Solutions
Après l'installation, l'unité ne fonctionne pas.	La source d'alimentation n'est pas allumée.	Assurez-vous que le disjoncteur et l'appareil sont sous tension.
	La ligne d'alimentation et le connecteur de verrouillage du câble ne se connectent pas correctement.	Vérifiez que la connexion électrique avec l'appareil est correctement connectée.
La lumière fonctionne, mais le ventilateur ne tourne pas.	Le ventilateur est défectueux, éventuellement grippé.	Changez le ventilateur.
	Le système thermiquement protégé détecte si le ventilateur est trop chaud pour fonctionner et arrête le ventilateur.	Le ventilateur fonctionnera correctement après le refroidissement du système thermiquement protégé.
	Condensateur endommagé.	Changez le condensateur.
	Le fil du moteur n'est pas connecté.	Assurez-vous que le fil du moteur est branché sur le connecteur mox.
L'unité vibre.	Le ventilateur n'est pas fixé en place.	Serrez le ventilateur en place.
	Roue de soufflante endommagée.	Remplacez le ventilateur.
	Le capot n'est pas fixé en place.	Vérifiez l'installation de la hotte.
L'unité siffle.	Un filtre n'est pas dans la bonne position.	Ajustez les filtres jusqu'à ce que le sifflement s'arrête.
	Les raccords des tuyaux de conduit ne sont pas scellés ou correctement connectés.	Vérifiez les connexions des conduits pour vous assurer que toutes les connexions sont correctement scellées.
Le ventilateur fonctionne, mais pas les lumières.	Le connecteur de la lumineuse LED est déconnecté.	Connectez le connecteur de la lumineuse LED.
	Lumineuse LED défectueuse.	Changez la lumineuse LED.
Les LED LumiLight clignotent lors du changement de niveau de vitesse.	N/A	Il s'agit d'une opération normale et la hotte fonctionne correctement.

Problème possible	Cause possible	Solutions
La hotte ne s'échappe pas correctement.	Utilisation de la mauvaise taille de conduit.	Changer la gaine à la bonne taille
	La hotte est peut-être suspendue trop haut de la table de cuisson.	Ajustez la distance entre la table de cuisson et le bas de la hotte entre 24 po et 36 po pour les tables de cuisson au gaz et entre 20 po et 36 po pour les tables de cuisson électriques.
	Le vent des fenêtres ouvertes ou des portes ouvertes dans la zone environnante affecte la ventilation de la hotte.	Fermez toutes les fenêtres et portes pour éliminer le vent extérieur.
	Obstruction dans l'ouverture du conduit ou dans les conduits.	Retirez tout le blocage du conduit ou de l'ouverture du conduit.
Le filtre vibre	Le filtre est lâche.	Ajustez ou changez le filtre.
	Le clip à ressort est cassé sur le filtre.	Changer le clip à ressort.

# Liste des pièces et accessoires

La description	Numéro d'article
<b>Pièces de rechange</b>	
LumiLight LED, 6W	ZOB0050
Filtre à mailles en aluminium (chacun)	50200063
Filtre à chicane hybride (chacun)	50210042
<b>Accessoires optionnels</b>	
Doublure, 30 po	AK0800AS
Doublure, 36 po	AK0836AS
Kit de recirculation	ZRC-0080

Pour commander des pièces, visitez-nous en ligne à <http://store.zephyronline.com>.

**POUR OBTENIR UN SERVICE SOUS GARANTIE OU POUR TOUTES QUESTIONS LIÉES AU SERVICE****Les clients des États-Unis doivent appeler le: 1-888-880-8368 ou nous contacter à: [zephyronline.com/contact](http://zephyronline.com/contact)****Clients du Canada, veuillez appeler: 1-800-361-0799 ou par courriel: [service@distinctive-online.com](mailto:service@distinctive-online.com)**

Zephyr Ventilation, LLC (désigné aux présentes sous le nom de « nous ») garantit au premier acheteur (désigné aux présentes sous le nom de « vous » ou « votre ») de produits Zephyr (les « Produits ») que lesdits produits sont exempts de défauts de fabrication ou de main-d'œuvre selon les conditions suivantes :

**Garantie de trois ans sur les pièces :** Garantie de trois ans à partir de la date d'achat originale du Produit. Nous fournirons sans frais les Produits ou les pièces (y compris les ampoules LED, le cas échéant) de remplacement qui comportaient des défauts de fabrication. Nous pourrions choisir, à notre seule discrétion, de réparer ou de remplacer des pièces avant de prendre la décision de remplacer le Produit.

**Garantie limitée d'un an sur la main-d'œuvre :** Garantie d'un an à partir de la date d'achat originale du Produit. Nous couvrirons sans frais les frais de main-d'œuvre afférents à la réparation du Produit ou des pièces de remplacement qui comportaient des défauts de fabrication. Un an après la date d'achat originale, vous serez responsable de tous les frais de main-d'œuvre associés à la présente garantie.

**Exclusions de la garantie :** Cette garantie ne couvre que la réparation ou le remplacement, à notre gré, de pièces ou de Produits défectueux et ne couvre aucun autre coût afférent aux Produits, dont, sans s'y limiter, les frais liés : (a) à l'entretien normal des Produits et au remplacement des pièces consommables, comme les fluorescent, incandescence ou halogèneampoules, les filtres métalliques, les filtres à charbon et les fusibles; (b) à tout Produit ou pièce ayant été endommagé durant le transport ou étant le résultat d'un mauvais usage, d'une négligence, d'un accident, d'une installation incorrecte ou ne respectant pas les notices d'installation recommandées, d'un entretien ou d'une réparation inapproprié (dont ne nous sommes pas responsables); (c) à une utilisation commerciale ou ne correspondant pas à l'utilisation pour laquelle les Produits sont conçus; (d) à l'usure naturelle du fini, à l'usure due à un entretien inadéquat, à l'utilisation de produits nettoyants corrosifs ou abrasifs, de tampons nettoyeurs et de produits de nettoyage pour le four; (e) aux éclats, entailles ou fissures résultant d'un abus ou d'une mauvaise utilisation du Produit; (f) aux déplacements d'un technicien de service à votre domicile pour vous montrer comment utiliser les Produits; (g) aux dommages causés par un accident, un incendie, une inondation, un cas fortuit; ou (h) Les installations personnalisées ou modifications qui ont un impact sur la maintenabilité du Produit. Si vous vous trouvez à l'extérieur du territoire que nous desservons, des frais supplémentaires pourraient s'appliquer pour la livraison des produits à nos points de service désignés pour une réparation sous garantie ou vous pourriez avoir à déboursier les frais de déplacement du technicien à votre domicile pour que le Produit soit réparé, enlevé ou réinstallé. Un an après la date d'achat originale du Produit, vous êtes également responsable de tous les frais de main-d'œuvre associés à la présente garantie.

**Restrictions de la garantie. NOTRE OBLIGATION DE RÉPARER OU DE REMPLACER, À NOTRE GRÉ, LE PRODUIT CONSTITUE VOTRE SEUL ET UNIQUE RECOURS SOUS LA PRÉSENTE GARANTIE. NOUS NE NOUS PORTONS PAS RESPONSABLES POUR TOUT DOMMAGE INDIRECT, ACCESSOIRE OU PARTICULIER RÉSULTANT OU AYANT UN LIEN AVEC L'UTILISATION OU LE RENDEMENT DES PRODUITS. LES GARANTIES EXPRESSES DE LA SECTION PRÉCÉDENTE SONT EXCLUSIVES ET TIENNENT LIEU DE TOUTE AUTRE GARANTIE EXPRESSE. PAR LES PRÉSENTES, NOUS REJETONS ET EXCLUONS TOUTE AUTRE GARANTIE EXPRESSE POUR LES PRODUITS ET TOUTES LES GARANTIES TACITES PRÉVUES PAR LA LOI, DONT CELLES RELATIVES À LA QUALITÉ MARCHANDE OU À L'ADÉQUATION DU PRODUIT POUR UNE UTILISATION PARTICULIÈRE.** Certains États ou provinces n'autorisent pas les restrictions sur la durée d'une garantie implicite ou l'exclusion ou la restriction des dommages indirects ou accessoires; par conséquent, les exclusions et restrictions mentionnées ci-dessus pourraient ne pas s'appliquer à votre cas. Dans la mesure où une loi applicable interdit l'exclusion de garanties implicites, la durée de toute garantie implicite applicable se limite à la période de deux ans décrite ci-dessus. L'unique objectif de toute description orale ou écrite est de présenter les Produits et celle-ci ne devrait pas être interprétée comme une garantie expresse. Avant d'utiliser ou de permettre l'utilisation des Produits, vous devrez déterminer si les Produits conviennent aux utilisations prévues et vous devrez assumer tout risque et toute responsabilité relatifs à ces utilisations. Nous nous réservons le droit d'utiliser des pièces reconstruites ou remises à neuf pour remplacer l'une des fonctionnalités dans le cadre de la présente garantie ou de l'une des parties de la présente garantie. L'acheteur original ne peut transférer la présente garantie et celle-ci n'est valide qu'aux États-Unis et au Canada.

**Pour obtenir du service sous la garantie :** Pour avoir droit à du service sous garantie, vous devez : (a) nous avertir en utilisant l'adresse ou le numéro de téléphone inscrit ci-dessous dans les soixante jours suivant la détection du défaut; (b) donner le numéro du modèle, le numéro d'identification de la pièce ainsi que le numéro de série; et (c) décrire la nature de tout défaut de la pièce ou du Produit. Au moment de faire la demande de service sous garantie, vous devrez présenter votre preuve d'achat et la preuve de la date d'achat originale. Si nous déterminons que les exclusions de la garantie énumérées ci-dessus s'appliquent ou si vous vous trouvez dans l'incapacité de nous fournir la documentation nécessaire pour obtenir du service, vous serez responsable de tous les frais d'expédition, de déplacement, de main-d'œuvre ou de tout autre coût afférent au service.

Veuillez consulter notre site Web au [www.zephyronline.com](http://www.zephyronline.com) pour savoir si des révisions ont été apportées à la garantie.

**Zephyr, 2277 Harbor Bay Parkway, Alameda, CA 94502**

# Enregistrement du produit

Nous vous félicitons d'avoir acheté un produit Zephyr. Veuillez prendre un moment pour enregistrer votre nouvelle produit au [www.zephyronline.com/registration](http://www.zephyronline.com/registration)

## C'EST IMPORTANT

Cet enregistrement rapide est utile à bien des égards.

- Il assure la couverture de votre garantie si vous avez besoin de service après-vente.
- À des fins d'assurance, il permet de confirmer que vous êtes le propriétaire.
- Il vous permet de recevoir des avis concernant des modifications ou des rappels de produits.



Zephyr Ventilation | 2277 Harbor Bay Pkwy. | Alameda, CA 94502 | 1.888.880.8368