

SKSSV3011MT

SINGLE WALL OVEN WITH STEAM-COMBI, TRANSITIONAL DESIGN



GOURMET AI™ & WIFI-ENABLED

Innovative Gourmet AI™ technology identifies your food and automatically makes delicious recipe (10) suggestions. The high-definition Gourmet AI Camera allows you to remotely view inside the wall oven in real-time via your smart device, record time-lapses, take pictures and even share them online. Gourmet AI gets even smarter with LG's ThinQ UP cloud updates that continuously enhance food recognition for even better cooking results.

STEAM-COMBI CONVECTION OVEN

Versatile oven combines steam and convection cooking for gourmet results. The convection system cooks food quickly and evenly while steam helps to preserve texture, appearance and taste.

STEAM SOUS VIDE COOKING MODE

Enjoy sous vide results right in the spacious oven, without preheating. Achieve delicious results that are moist and tender on the inside, crisp and flaky on the outside, all with minimal effort.

SPEED-CLEAN™

Makes fast work of cleaning a lightly-soiled oven with just a ten minute cycle, using only water.

GLIDESHUT™ DOOR

The door opens and closes gently with grace and elegance.

Innovation

| | |
|--|--------------------------------------|
| Wi-Fi-Enabled for ThinQ® Control with iPhone / Android App | Yes |
| ThinQ Care | Yes |
| ThinQ UP | Yes |
| Voice Control | Yes (Google Assistant, Amazon Alexa) |
| Scan-to-Cook | Yes |
| Smart Recipe (3rd Party Apps) | Yes (Sidechef) |
| Gourmet AI™ Camera | Yes |
| Gourmet AI™ Features | |
| Identify Foods and Make Recipe Recommendations (10), Real-Time Monitoring, Image Capturing, Cooking Time-Lapse | |
| Remote Operation | Yes |
| Smart Diagnosis | Yes |

Style

| | |
|-----------------|-----------------------|
| Color | Satin Stainless Steel |
| Handle Design | Transitional |
| Door Feature | InstaView® Window |
| GlideShut™ Door | Yes |

Oven Features & Performance

| | |
|--|---|
| Oven Type | Steam-Combi Convection |
| Capacity | 4.7 cu. ft. |
| Cooking Modes | |
| Convection Bake, Convection Roast, Bake, Broil, Steam Cook (Steam-Combi, Steam Sous Vide), Warm, Proof, RapidHeat Roast+, Auto Cook, Air Fry | |
| Interior Color | Blue |
| Oven Cleaning | Self Cleaning & Speed-Clean™ |
| Variable Cleaning Time | Self Cleaning (3,4,5 hrs), Speed-Clean™ (10 min.) |

SKSSV3011MT

SINGLE WALL OVEN WITH STEAM-COMBI, TRANSITIONAL DESIGN

Oven Features & Performance (Continued)

| | |
|--------------------------------------|---|
| Variable Broil | Yes (Full,Center / High,Med,Low) |
| Broil Element | 2,900 W / 1,500 W |
| Bake Element | 2,500 W |
| Steam Element | 1,960 W |
| Oven Racks | 2 Gliding, 1 Heavy Duty |
| Rack Positions | 5 |
| Oven Meat Probe | Yes |
| Automatic Shut Off (After 12 hrs.) | Yes |
| Star-K Certified Sabbath Mode | Yes |
| Interior Oven Lights (Auto & Manual) | 4 LED, 2 Halogen |
| Convection System | True Convection |
| Convection Conversion | Yes |
| Convection Element | 2,000 W |
| Proof | Yes |
| Variable Warm | Yes (High: 200°F, Med: 170°F, Low: 140°F) |

Controls

| | |
|------------------------------|-----------------------------|
| Oven Controls & Display | 7 Inch TFT LCD Touch Screen |
| Electronic Clock & Timer | Yes |
| Lock Out Function | Yes |
| Delay Start Time | Yes |
| My Recipe Menu | 40 |
| Preheat Alarm Light | Yes |
| Audible Preheat Signal | Yes |
| Cooking Complete Reminder | Yes (Mute, Low, High) |
| Temperature Display (F or C) | Yes |
| Language Options | English, Spanish, French |
| Smart Function | Wi-Fi / Smart Buzzer |

Technical Specs

| | |
|-----------------------|---------------------|
| Rating (240V / 208V) | 6.1 kW / 4.6 kW |
| Required Power Supply | 240V / 208V, 30 Amp |

Dimensions and Weight

| | |
|---|---------|
| Overall Width (inches) | 29 3/4 |
| Overall Depth Including Door (inches) | 24 5/8 |
| Overall Depth Including Handle (inches) | 26 7/8 |
| Overall Depth with Door Open (inches) | 45 5/8 |
| Overall Height (inches) | 29 7/16 |
| Size of Water Tank | 1 Liter |
| Net Weight (approx.) | 154 lbs |
| Shipping Weight (approx.) | 169 lbs |

Accessories

Included Accessories
Broiler Pan, Grid, Meat Probe, Heavy Duty Rack, Offset Rack, 2 Gliding Racks, Air Fry Rack

Warranty Summary*

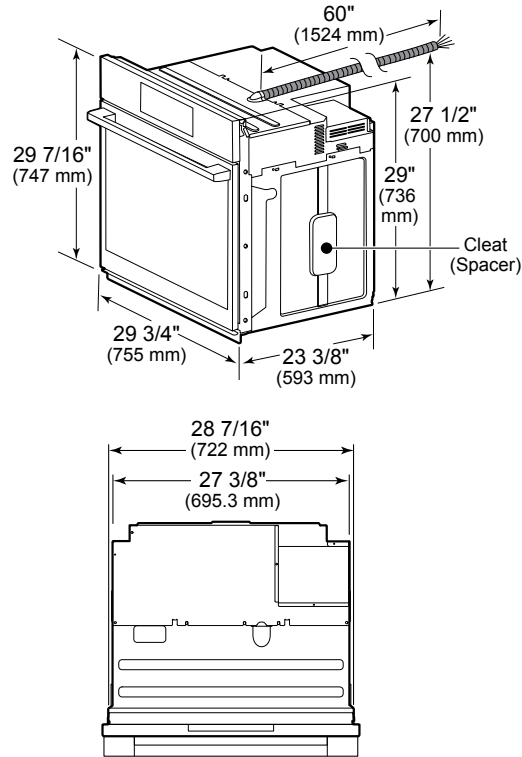
| | |
|---------------------------------|---------|
| Limited Warranty, Parts & Labor | 3 Years |
|---------------------------------|---------|

*These warranties give you specific legal rights and you may have other rights that vary from state to state. For complete warranty details, refer to your Use & Care manual.

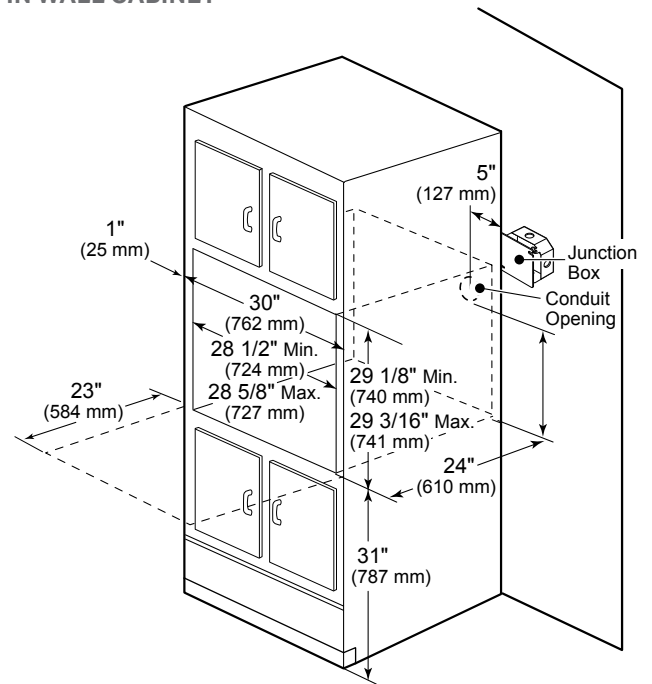
SKSSV3011MT

SINGLE WALL OVEN WITH STEAM-COMBI, TRANSITIONAL DESIGN

PRODUCT DIMENSIONS



CUTOUT DIMENSIONS – PROUD INSTALLATION IN WALL CABINET



CUTOUT DIMENSIONS – UNDER-COUNTER PROUD INSTALLATION

Gas or electric cooktops may be installed over this oven.
See cooktop installation instructions for cutout size.
See label on top of oven for approved cooktop models.

