

YFPD-3CH, YFPD-3SN, YFPD-3SB, YFPD-3MB

Pull down Kitchen Faucet Description

LOMA KITCHEN FAUCET

- Two setting sprayer
- 360° swing angle
- Ceramic disc cartridge
- Braided hoses with 3/8" compression nuts
- 1.8 GPM
- Deck Plate Included

• YFPD-3CH



Standards

- Certified with IAPMO UPC/cUPC
- California AB100 Complaint
- ADA Accessibility Guidelines for Buildings and Facilities - 427.4 Controlled Mechanisms
- CALGreen compliant



CALGreen

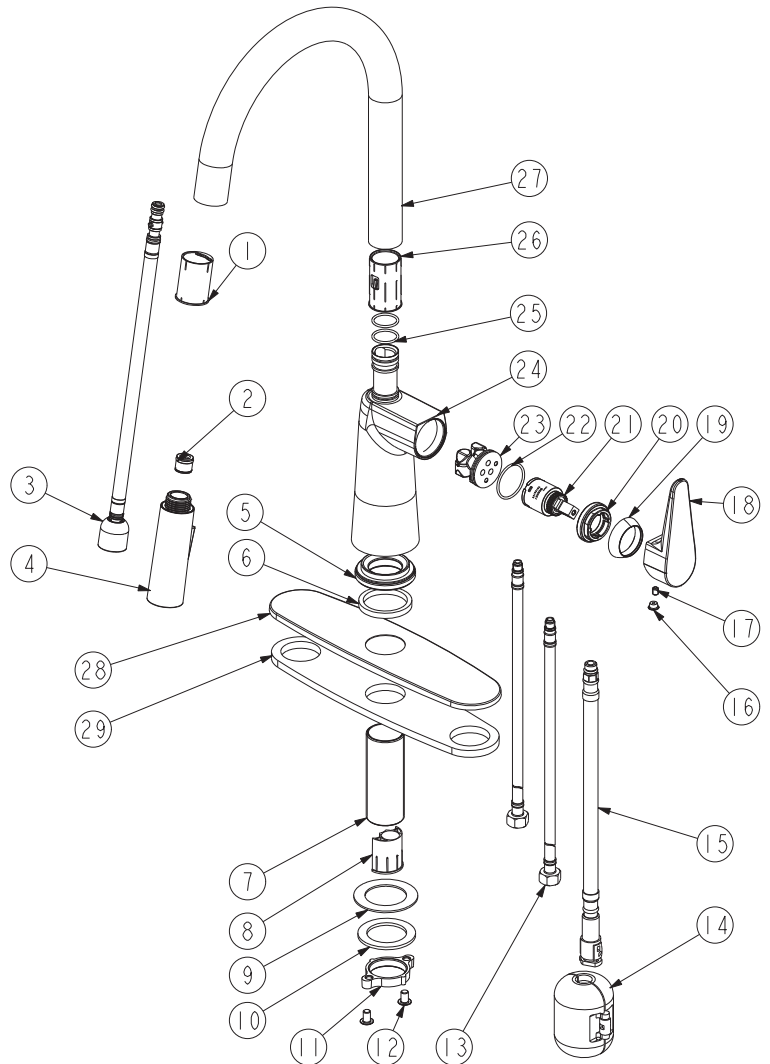
Colors / Finishes

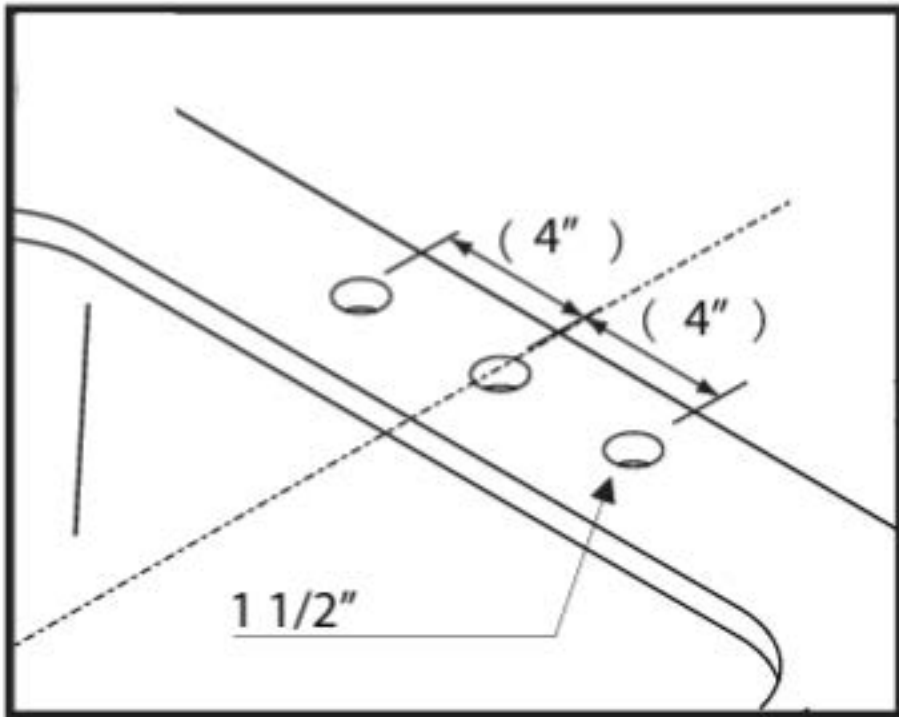
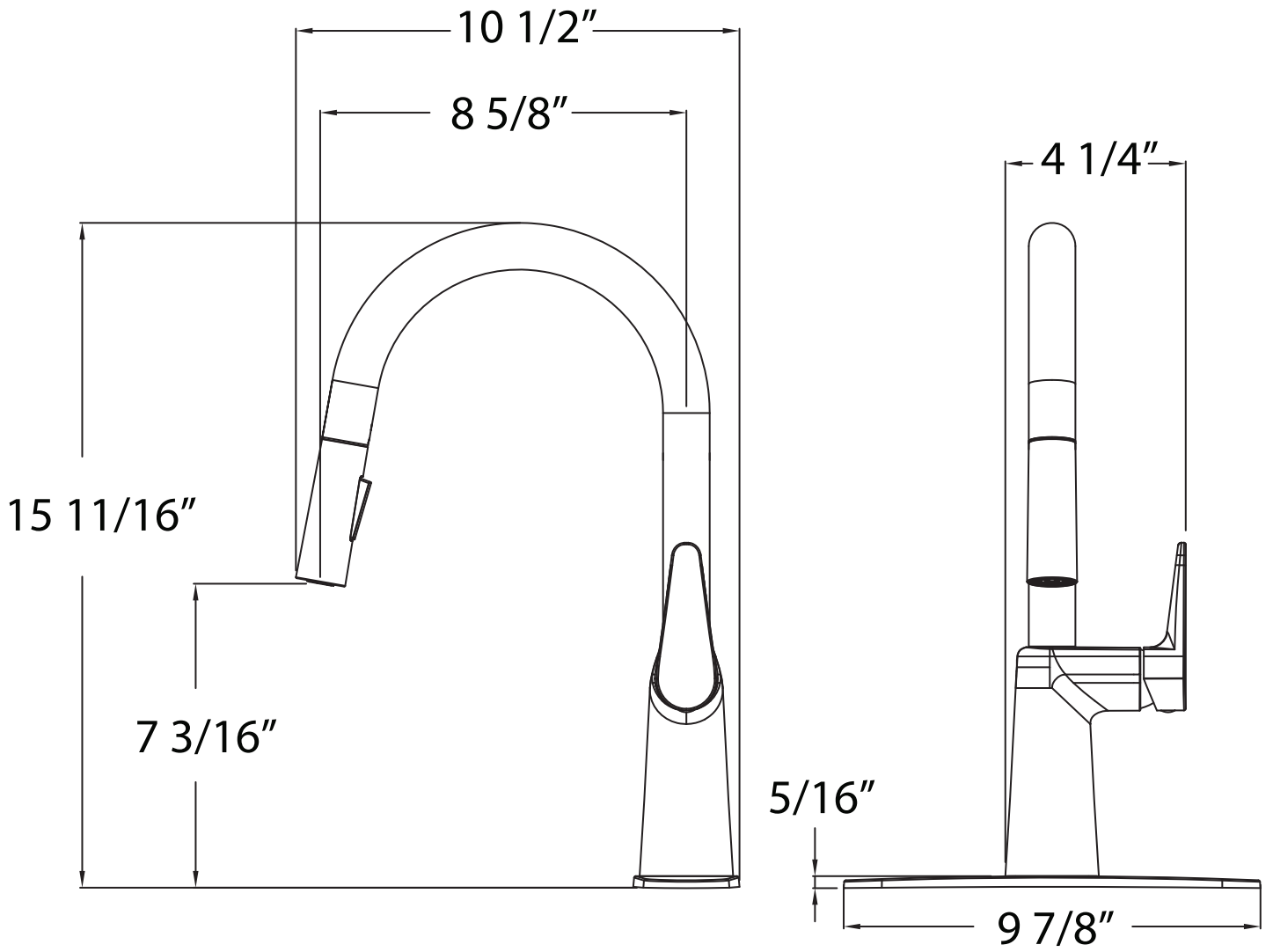
- YFPD-3CH Chrome
- YFPD-3SN PVD Satin Nickel
- YFPD-3SB PVD Satin Brass
- YFPD-3MB Matte Black

BREAK DOWN

Component Parts List

29	CTWP0349	PLATE	1
28	CTCT0168	FACE PLATE	1
27	CTPT0078	OUTLET	1
26	CTCP0684	SLEEVE	1
25	CTRR0170	O-RING	2
24	CTYZ0050	BODY	1
23	CTDP0103	BASE SEAT	1
22	CTRR0051	O-RING	1
21	ATBA0163	CARTRIDGE	1
20	CTKP0185	RETAINER	1
19	CTCP0330	COVER	1
18	CTHZ0778	HANDLE	1
17	CTST0117	SCREW	1
16	CTCP0689	CAP	1
15	ATBP0557	HOSE	1
14	ATBQ0882	KEY BOLT	1
13	ATBP0613	HOSE	2
12	CTST0101	SCREW	2
11	CTNL0004	NUT	1
10	CTWT0053	WASHER	1
9	CTWR0115	WASHER	1
8	CTCP0494	SLEEVE	1
7	CTPL0003	SHANK	1
6	CTWP0346	WASHER	1
5	CTNP0078	NUT	1
4	ATBE0378	SHOWER HEAD	1
3	ATBP0635	HOSE	1
2	ATBA0263	Flow Regulators	1
1	CTCP0683	SLEEVE	1
NO.	Drawing No.	Part Description	Quantity





Single hole or three hole with deck plate