

INSTALLATION INSTRUCTIONS

FRONT CONTROL FREESTANDING GAS RANGE

INSTALLATION AND SERVICE MUST BE PERFORMED BY A QUALIFIED INSTALLER.
IMPORTANT: SAVE FOR LOCAL ELECTRICAL INSPECTOR'S USE.
READ AND SAVE THESE INSTRUCTIONS FOR FUTURE REFERENCE.



⚠ WARNING FOR YOUR SAFETY: Do not store or use gasoline or other flammable vapors and liquids in the vicinity of this or any other appliance.



IMPORTANT SAFETY INSTRUCTIONS

⚠ WARNING If the information in this manual is not followed exactly, a fire or electrical shock may result causing property damage, personal injury or death.

FOR YOUR SAFETY:

- Do not store or use gasoline or other flammable vapors and liquids in the vicinity of this or any other appliance.
- **WHAT TO DO IF YOU SMELL GAS:**
 - Do not try to light any appliance.
 - Do not touch any electrical switch; do not use any phone in your building.
 - Immediately call your gas supplier from a neighbor's phone. Follow the gas supplier's instructions.
 - If you cannot reach your gas supplier, call the fire department.
- Installation and service must be performed by a qualified installer, service agency or the gas supplier.

⚠ WARNING Never operate the top surface cooking section of this appliance unattended.

- Failure to follow this warning statement could result in fire, explosion, or burn hazard that could cause property damage, personal injury, or death.
- If a fire should occur, keep away from the appliance and immediately call your fire department.

DO NOT ATTEMPT TO EXTINGUISH AN OIL/GREASE FIRE WITH WATER.

Important Notes to the Installer:

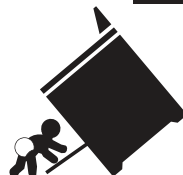
- Read all instructions contained in these installation instructions before installing range.
- Remove all packing material from the oven compartments before connecting the gas & electrical supply to the range.
- Observe all governing codes and ordinances.
- Be sure to leave these instructions with the consumer.

Important Notes to the Consumer:

Keep these instructions with your owner's guide for future reference.

- As when using any appliance generating heat, there are certain safety precautions you should follow. These are listed in the Use & Care Guide, read it carefully.
- Be sure your range is installed and grounded properly by a qualified installer or service technician.
- Make sure the wall coverings around the range can withstand the heat generated by the range.
- To eliminate the need to reach over the surface elements, cabinet storage space above the elements should be avoided.

⚠ WARNING Tip Over Hazard

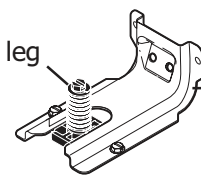


- **A child or adult can tip the range and be killed.**
- **Verify the anti-tip device has been installed to floor or wall.**

- **Ensure the anti-tip device is re-engaged to floor or wall when the range is moved.**
- **Do not operate the range without the anti-tip device in place and engaged.**
- **Failure to follow these instructions can result in death or serious burns to children and adults.**



Range leveling leg



Anti-tip bracket

To check if the anti-tip bracket is installed properly, use both arms to grasp the rear edge of the range back. Carefully attempt to tilt range forward. When properly installed, the range should not tilt forward.

Refer to the anti-tip bracket installation instructions supplied with your range for proper installation.

IMPORTANT SAFETY INSTRUCTIONS

Provide proper fuel type

Before proceeding: Your range is factory preset to operate on natural gas. If L.P. conversion is needed, contact your local L.P. Gas provider for assistance.

The L.P. conversion kit may be located on the lower rear back panel of the range. If no L.P. kit is provided, contact your product dealer to obtain the correct L.P. conversion kit.

- Installation of this range must conform with local codes or, in the absence of local codes, with the National Fuel Gas Code ANSI Z223.1—latest edition when installed in the United States.
- When installed in a manufactured (mobile) home, installation must conform with the Manufactured Home Construction and Safety Standard, Title 24 CFR, Part 3280 [formerly the Federal Standard for Mobile Home Construction and Safety, Title 24, HUD (Part 280)] or, when such standard is not applicable, the Standard for Manufactured Home Installations, ANSI/NCSBCS A225.1, or with local codes.
- This range has been design certified by CSA Group. As with any appliance using gas and generating heat, there are certain safety precautions you should follow. You will find them in the [Use & Care Guide](#), read it carefully.
- Be sure your range is installed and grounded properly by a qualified installer or service technician.
- This range must be electrically grounded in accordance with local codes or, in their absence, with the National Electrical Code ANSI/NFPA No .70—latest edition when installed in the United States. See Grounding Instructions on page 9.
- All materials used in construction of cabinets, enclosures, and supports surrounding the product must have a temperature rating above 200°F (94°C).
- Before installing the range in an area covered with linoleum or any other synthetic floor covering, make sure the floor covering can withstand heat at least 90°F above room temperature without shrinking, warping or discoloring. Do not install the range over carpeting unless you place an insulating pad or sheet of 1/4-inch thick plywood between the range and carpeting.
- Make sure the wall coverings around the range can withstand the heat generated by the range.
- Do not obstruct the flow of combustion air at the oven vent nor around the base or beneath the lower front panel of the range. Avoid touching the vent openings or nearby surfaces as they may become hot while the oven is in operation. This range requires fresh air for proper burner combustion.
- Air curtain or other overhead range hoods, which operate by blowing a downward air flow on to a range or cooktop, shall not be used in conjunction with gas ranges other than when the hood and range have been designed, tested and listed by an independent test laboratory for use in combination with each other.

⚠ WARNING DO NOT MAKE ANY ATTEMPT TO OPERATE THE ELECTRIC IGNITION OVEN DURING AN ELECTRICAL POWER FAILURE. RESET ALL OVEN CONTROLS TO “OFF” IN THE EVENT OF A POWER FAILURE.

The electric ignitor will automatically re-ignite the oven burner when power resumes if the oven thermostat control was left in the “ON” position.

When an electrical power failure occurs during use, the surface burners will continue to operate.

During a power outage, the surface burners can be lit with a match. Hold a lighted match to the burner, then slowly turn the knob to the LITE position. Use extreme caution when lighting burners this way.

⚠ WARNING Never leave children alone or unattended in the area where an appliance is in use. Teach children the proper, safe use of all appliances. Never leave the oven door open when the range is unattended.

⚠ WARNING Stepping, leaning or sitting on the doors or drawers of this range can result in serious injuries and can also cause damage to the range.

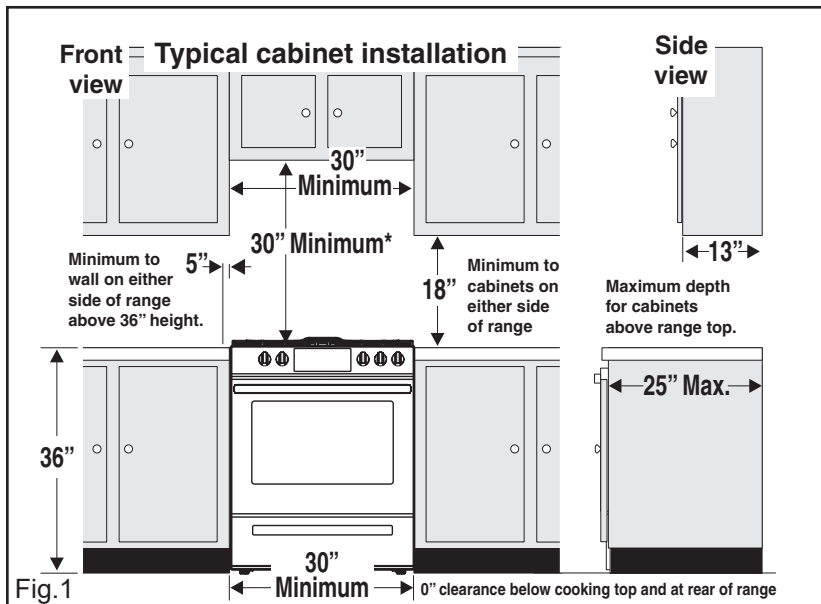
- Do not store items of interest to children in the cabinets above the range. Children could be seriously burned climbing on the range to reach items.
- To eliminate the need to reach over the surface burners, cabinet storage space above the burners should be avoided.
- Adjust surface burner flame size so it does not extend beyond the edge of the cooking utensil. Excessive flame is hazardous.
- Do not use the oven as a storage space. This creates a potentially hazardous situation.
- Never use your range for warming or heating the room. Prolonged use of the range without adequate ventilation can be dangerous.
- Do not store or use gasoline or other flammable vapors and liquids near this or any other appliance. Explosions or fires could result.
- Reset all controls to the “OFF” position after using a programmable timing operation.
- Unlike some gas ranges, the cooktop is not removable. Do not attempt to remove the cooktop.

Special instructions for appliances installed in the state of Massachusetts: This Appliance can only be installed in the state of Massachusetts by a Massachusetts licensed plumber or gas fitter. When using a flexible connector, it must not exceed three (3) feet (36 in.) long. A “T” handle type manual gas valve must be installed in the gas supply line to this appliance.

30" GAS FRONT CONTROL FREESTANDING INSTALLATION INSTRUCTIONS

1. Clearances and Dimensions

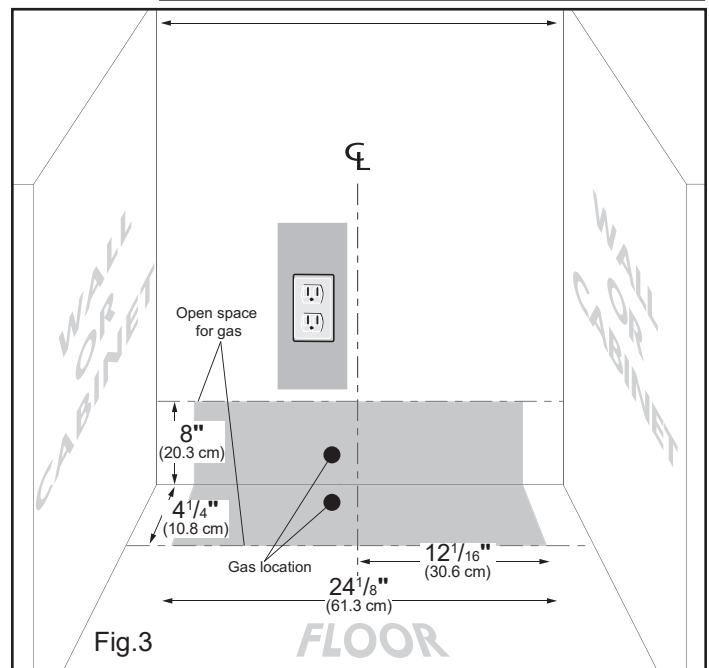
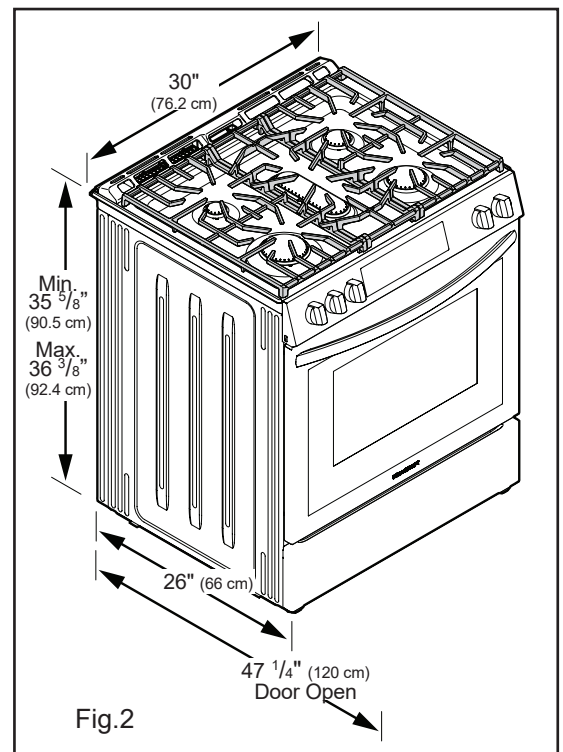
- Provide adequate clearances between the range and adjacent combustible surfaces.
- Location—Check location where the range will be installed. Check for proper electrical supply and gas supply and the stability of floor.
- Dimensions that are shown must be used. Given dimensions provide minimum clearance. Contact surface must be solid and level.



*30" (762 mm) MINIMUM CLEARANCE BETWEEN THE TOP OF THE COOKING SURFACE AND THE BOTTOM OF AN UNPROTECTED WOOD OR METAL CABINET; OR 24" (610 mm) MINIMUM WHEN BOTTOM OF WOOD OR METAL CABINET IS PROTECTED BY NOT LESS THAN 1/4" (6 mm) FLAME RETARDANT MILLBOARD COVERED WITH NOT LESS THAN NO. 28 MSG SHEET STEEL, 0.015" (0.4 mm) STAINLESS STEEL, 0.024" (0.6 mm) ALUMINUM OR 0.020" (0.5 mm) COPPER. 0" (0 mm) CLEARANCE IS THE MINIMUM FOR THE REAR OF THE RANGE. FOLLOW ALL DIMENSION REQUIREMENTS PROVIDED ABOVE TO PREVENT PROPERTY DAMAGE, POTENTIAL FIRE HAZARD, AND INCORRECT COUNTERTOP AND CABINET CUTS.

TO ELIMINATE THE RISK OF BURNS OR FIRE BY REACHING OVER HEATED SURFACE UNITS, CABINET STORAGE SPACE LOCATED ABOVE THE SURFACE UNITS SHOULD BE AVOIDED. IF CABINET STORAGE IS TO BE PROVIDED, THE RISK CAN BE REDUCED BY INSTALLING A RANGE HOOD THAT PROJECTS HORIZONTALLY A MINIMUM OF 5" (127 mm) BEYOND THE BOTTOM OF THE CABINETS.

⚠ WARNING DO NOT MAKE ANY ATTEMPT TO OPERATE THE ELECTRIC IGNITION OVEN DURING AN ELECTRICAL POWER FAILURE. RESET ALL OVEN CONTROLS TO OFF IN THE EVENT OF A POWER FAILURE. The electric ignitor will automatically re-ignite the oven burner when power resumes if the oven thermostat control was left in the ON position.



When an electrical power failure occurs during use, the surface burners will continue to operate. During a power outage, the surface burners can be lit with a match. Hold a lighted match to the burner, then slowly turn the knob to the Lite position. Use extreme caution when lighting burners this way.

2. Tools You Will Need

(Wear safety glasses when using tools):

For leveling legs and Anti-Tip Bracket:

- Adjustable wrench or channel lock pliers (Fig. a)
- 5/16" Nutdriver or flat head screwdriver (Fig. b)
- Electric drill & 1/8" drill bit (3/16" Masonry drill bit if installing in concrete) (Fig. c)
- Level (Fig. d)

For gas supply connection:

- Adjustable wrench and pipe wrench (Figs. a & e)

For burner flame adjustment:

- Phillips head and **small** flat-blade screwdrivers (Figs. f & g)

Materials you will need:

- Pipe joint sealant that resists action of LP/Propane gas (Fig. h)
- Gas line manual shut-off valve (Fig. i)
- A new flexible metal appliance conduit (1/2" NPT x 3/4" or 1/2" I.D.) must be design certified by CSA International. Because solid pipe restricts moving the range, we recommend using a new flexible conduit (4 to 5 foot length) for each new installation and additional reinstalls. (Fig. j)
- Use new flare union adapters (1/2" NPT x 3/4" or 1/2" I.D.) (Fig. k)

Materials supplied with appliance:

- Anti-Tip Template (Fig. l)
- Anti-Tip bracket; includes 2 mounting screws (Fig. m)

Tools



Fig. a

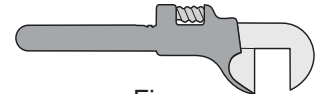


Fig. e

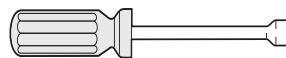


Fig. b

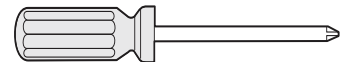


Fig. f

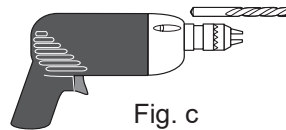


Fig. c

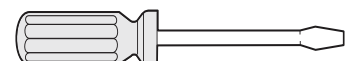


Fig. g

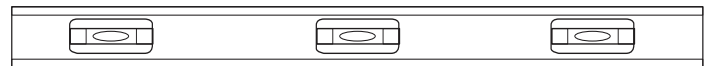


Fig. d

Materials



Fig. h

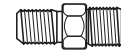
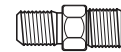


Fig. k



Fig. i

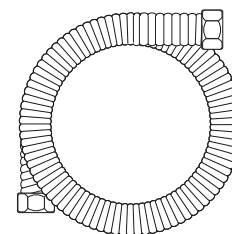


Fig. j

Materials supplied with appliance

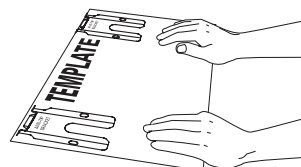


Fig. l

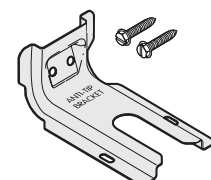


Fig. m

3. Anti-Tip Bracket Installation Instructions

Important Safety Warning

To reduce the risk of tipping of the range, the range should be secured to the floor by properly installed anti-tip bracket and screws packed with the range. Failure to install the anti-tip bracket will allow the range to tip over if excessive weight is placed on an open door or if a child climbs upon it. Serious injury might result from spilled hot liquids or from the range itself.

If range is ever moved to a different location, the anti-tip brackets must also be moved and installed with the range.

Instructions are provided for installation in wood or cement fastened to either the floor or wall. When installed to the wall, make sure that screws completely penetrate dry wall and are secured in wood or metal. When fastening to the floor or wall, be sure that screws do not penetrate electrical wiring or plumbing.

- A. Locate the Bracket Using the Template - (Bracket may be located on either the left or right side of the range. Use the information below to locate the bracket if template is not available). Mark the floor or wall where left or right side of the range will be located. If rear of range is against the wall or no further than 1-13/16" (45.6 mm) from wall when installed, you may use the wall or floor mount method. If molding is installed and does not allow the bracket to fit flush against the wall, remove molding or mount bracket to the floor. For wall mount, locate the bracket by placing the back edge of the template against the rear wall and the side edge of template on the mark made referencing the side of the range. Place bracket on top of template and mark location of the screw holes in wall. If rear of range is further than 1-13/16" (45.6 mm) from the wall when installed, attach bracket to the floor.

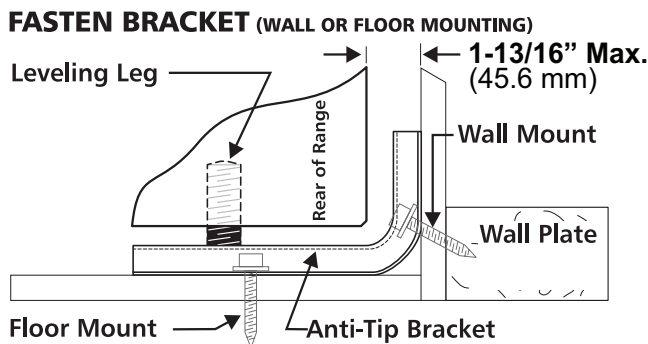


Fig. 4

FASTEN BRACKET (FLOOR MOUNTING ONLY)

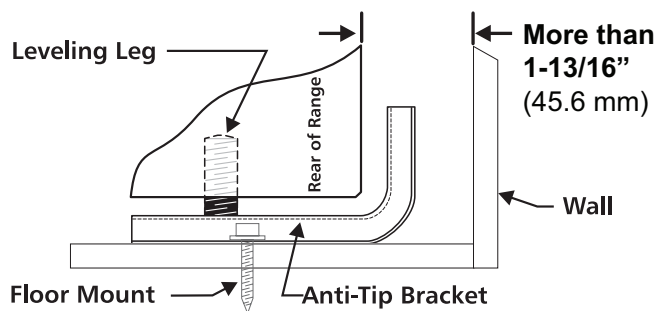


Fig. 5

For floor mount, locate the bracket by placing back edge of the template where the rear of the range will be located. Mark the location of the screw holes, shown in template.

- B. Drill Pilot Holes and Fasten Bracket - Drill a 1/8" (3 mm) pilot hole where screws are to be located. If bracket is to be mounted to the wall, drill pilot hole at an approximate 20° downward angle. If bracket is to be mounted to masonry or ceramic floors, drill a 3/16" (4.8 mm) pilot hole 1-3/4" (44 mm) deep. The screws provided may

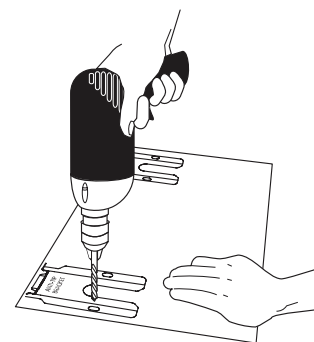


Fig. 6

be used in wood or concrete material. Use a 5/16" (8 mm) nut-driver or flat head screwdriver to secure the bracket in place.

- C. Level and Position Range - Level range by adjusting the (4) leveling legs with a wrench. Note: A minimum clearance of 1/8" (3 mm) is required between the bottom of the range and the leveling leg to allow room for the bracket. Use a spirit level to check your adjustments. Slide range back into position. Visually check that rear leveling leg is inserted into and fully secured by the Anti-Tip Bracket by removing lower panel or storage drawer. For models with a warmer drawer or broiler compartment, grasp the top rear edge of the range and carefully attempt to tilt it forward.

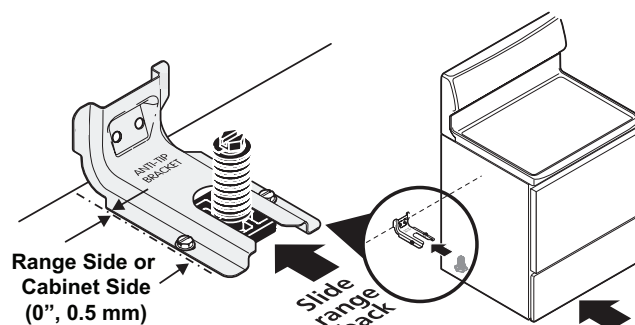


Fig. 7

4. Provide an adequate gas supply.

Please note: Operation at elevations above 2000 ft., appliance rating shall be reduced at the rate of 4 percent for each 1000 ft. above sea level.

This appliance is pre-set to operate on 4" natural gas manifold pressure. A convertible pressure regulator is connected to the manifold and **MUST** be connected in series with the gas supply line. If the LP/Propane conversion kit has been used, follow instructions provided with the kit for converting the pressure regulator to LP/Propane use.

Care must be taken during installation of range not to obstruct the flow of combustion and ventilation air.

For proper operation, the maximum inlet pressure to the regulator should be no more than 14 inches of water column pressure. The inlet pressure to the regulator must be at least 1 inch greater than regulator manifold pressure.

Example: If regulator is set for natural gas 4 inch manifold pressure, inlet pressure must be at least 5 inches; if regulator has been converted for LP/Propane gas 10 inch manifold pressure, inlet pressure must be at least 11 inches.

Leak testing of the appliance shall be conducted according to the instructions in step 4g.

The gas supply line should be 1/2" or 3/4" I.D.

5. Seal wall openings.

Seal any openings in the wall behind the range and in the floor under the range after gas supply line is installed.

6. Connect range to gas supply.

Note: To prevent leaks use pipe joint sealant on all male (outside) pipe threads. Do not allow gas pressure regulator to turn on pipe when tightening fittings.

- a. Install an external manual gas shut-off valve to gas supply line in an accessible location outside of range. Be sure you know where and how to shut off the gas supply to the range (See Fig. 8).
- b. Install 1/2" flare union adapter to gas pressure regulator using no more than 15ft./lbs. of torque (Refer to Fig. 8).

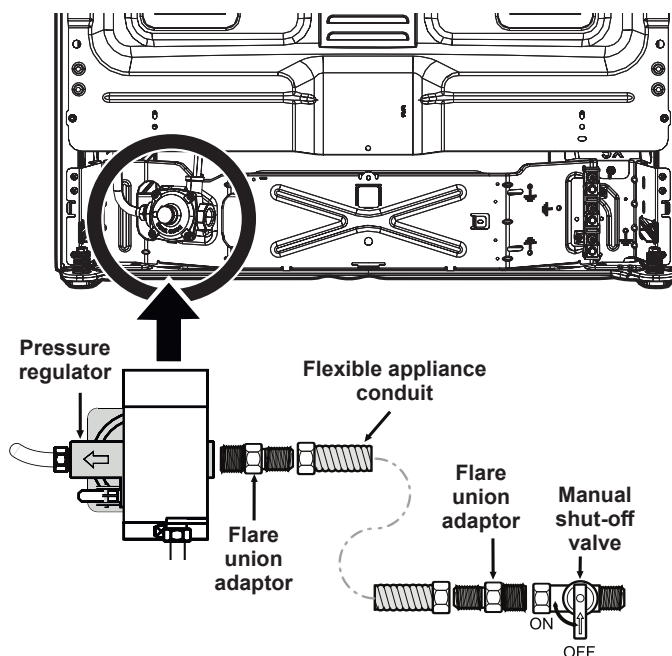


Fig. 8 - gas supply connections

Be sure to **stabilize** the gas pressure regulator before tightening ANY fittings to the pressure regulator. Do not allow pressure regulator to turn on pipe when tightening fittings (Refer to Fig. 9).

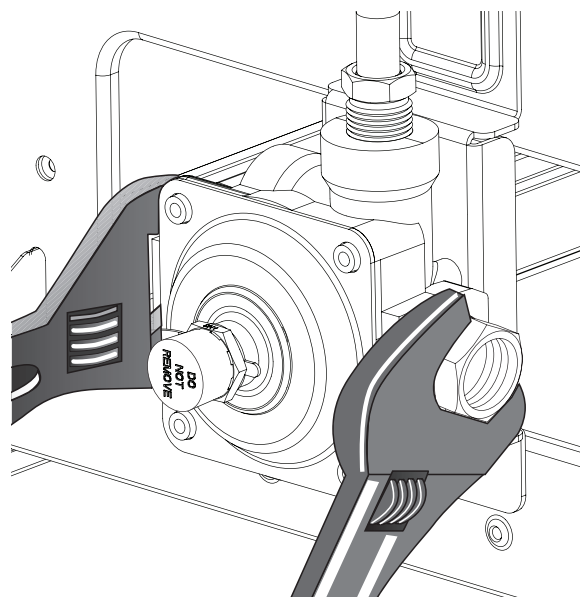


Fig. 9

30" GAS FRONT CONTROL FREESTANDING INSTALLATION INSTRUCTIONS

- c. Tighten the gas supply fitting and/or appliance conduit to flare union adaptor on the right side of the pressure regulator (refer to Fig. 10) using NO MORE THAN 15ft./lbs. of torque. Be sure to stabilize the 1/2" flare union adapter with an adjustable wrench before tightening the gas supply fitting and/or appliance conduit.

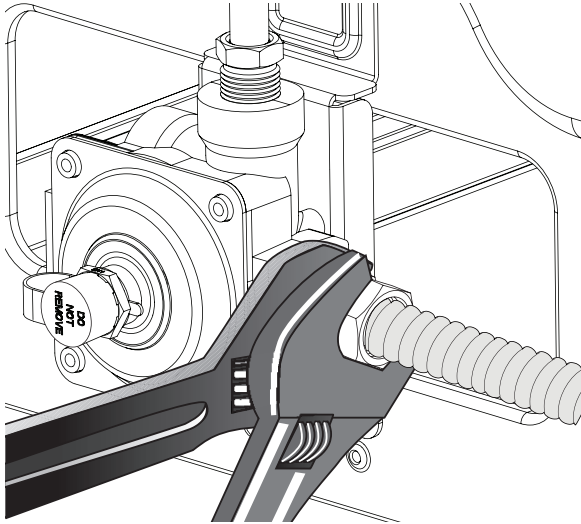
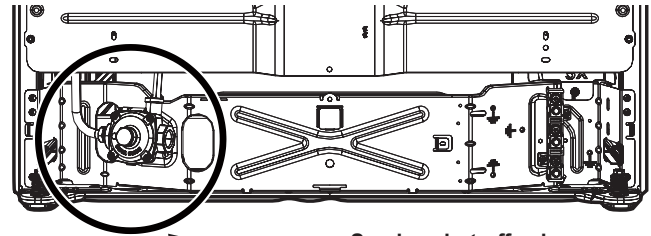
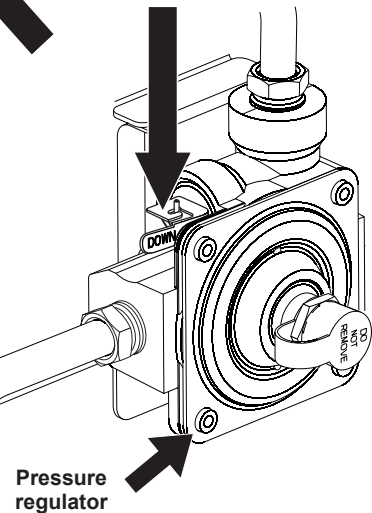


Fig. 10

- d. Install flare union adaptor to external manual shut-off valve (See Fig. 8).
- e. Attach flexible appliance conduit to flare union adaptor on shut-off valve (See Fig. 8).
- f. Make sure the service shut-off valve on pressure regulator is set to the ON position (See Fig. 11).
- g. Check for gas leaks. Turn the gas supply on to the range and use a liquid leak detector at all joints and conduits to check for leaks in the system.



Service shut-off valve
(shown in ON position)



Pressure
regulator

Fig. 11

Checking manifold gas pressure

⚠ WARNING Do not use flame to check for gas leaks.

Disconnect the range and its individual shut-off valve from the gas supply piping system during any pressure testing of that system at test pressures greater than 14" of water column pressure (approximately 1/2" psig).

The appliance must be isolated from the gas supply piping system by closing its individual manual shut-off valve during any pressure testing of the gas supply piping system at test pressures equal to or less than 14" of water column pressure (approximately 1/2" psig).

If it should be necessary to check the manifold gas pressure, connect manometer (water gauge) or other pressure device to the top burner right rear orifice. Using a rubber hose with inside diameter of approximately 1/4," hold tubing down tight over orifice. Turn burner valve on.

For an accurate pressure check have at least two (2) other top burners burning. Be sure the gas supply (inlet) pressure is at least one inch above specified range manifold pressure. The gas supply pressure should never be over 14" water column. When properly adjusted for Natural Gas the manifold pressure is 4". For LP/Propane Gas the manifold pressure is 10".

7. Read the following electrical connection details before connecting electricity to range.

⚠ WARNING Before servicing, disconnect electrical supply at circuit breaker, fuse or power cord.

Electric requirements:

A dedicated, properly grounded and polarized branch circuit protected by a 15 amp. circuit breaker or time delay fuse. See serial plate for proper voltage.

Extension cord precautions:

Because of potential safety hazards under certain conditions, we strongly recommend against the use of any extension cord. However, if you still choose to use an extension cord, it is absolutely necessary that it be a UL listed 3-wire grounding type appliance extension cord and that the current carrying rating of the cord in amperes be equivalent to or greater than the branch circuit rating. Such extension cords are obtainable through your local service organization.

⚠ WARNING Please read carefully! For personal safety, this product must be properly grounded.

Do not, under any circumstances, cut or remove the third (ground) prong from the power cord (See Fig. 12).

Where a standard two-prong wall receptacle is encountered, it is the personal responsibility and obligation of the customer to have it replaced with a properly grounded three-prong wall receptacle.

Preferred method

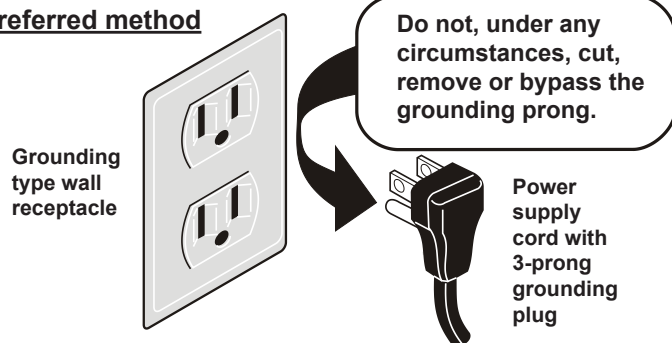


Fig. 12

Grounding instructions:

The power cord of this appliance is equipped with a 3-prong (grounding) plug which mates with a standard 3-prong grounding wall receptacle to minimize the possibility of electric shock hazard from this appliance. The customer should have the wall receptacle and circuit checked by a qualified electrician to make sure the receptacle is properly grounded and polarized.

8. Check burner cap placement.

It is very important to be sure that all surface burner caps and burner grates are properly installed and in the correct locations before operating the appliance. The cooktop is not removeable. Do not attempt to remove or lift the cooktop.

⚠ WARNING To prevent flare-ups and avoid creation of harmful by-products, do not use the cooktop without all burner caps properly installed to insure proper ignition and gas flame size.

Always keep the burner caps and burner heads in place whenever the surface burners are in use. Do not allow spills, food, cleaning agents or any other material to enter the gas orifice holder openings.

Check and be sure the size of each burner cap matches the size of the burner head. Check and be sure that all round style burner caps are correctly in place on round burner heads.

Check and be sure that all oval style burner caps are correctly in place on oval burner heads (if equipped). Check and be sure that all dual or twin style burner caps are correctly in place on dual or twin burner heads (if equipped).

On round style burners, the burner cap lip (See Fig. 13) should fit snug into the center of burner head and be level. Refer to Figs. 14 & 15 for correct and incorrect burner cap placement.

Once in place, you may check the fit by gently sliding the burner cap from side to side (Fig. 16) to be sure it is centered and firmly seated. Please note that the burner cap should NOT move off the center of the burner head when sliding from side to side.

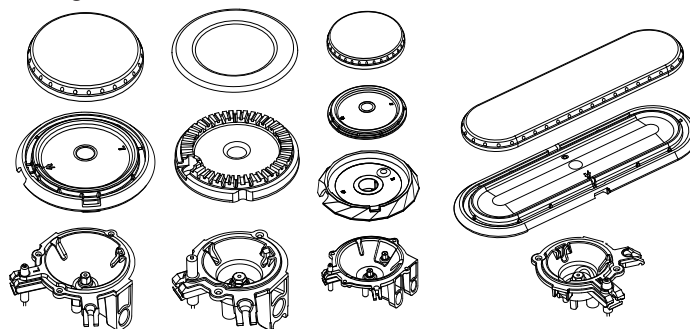
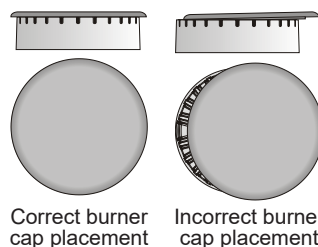


Fig. 13 - Burner styles



Correct burner cap placement

Incorrect burner cap placement

Fig. 14

Fig. 15

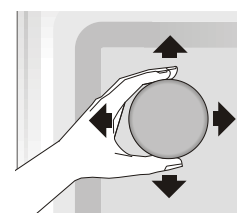


Fig. 16

9. Check ignition of surface burners.

Operation of electric igniters should be checked after range and supply line connectors have been carefully checked for leaks and range has been connected to electric power.

- To check for proper ignition, **push in and turn** a surface burner knob **counterclockwise** to the **LITE** position. You will hear the igniter sparking.
- The surface burner should ignite when gas is available to the burner. Purge air from supply lines by leaving knob in the **LITE** position until burner ignites. Each burner should light within four (4) seconds in normal operation after air has been purged from supply lines.
- Visually check that burner has a flame. Once the burner ignites, the control knob should be turned out of the LITE position.
- Try each surface control knob separately until all surface burners have been checked. Each burner location is equipped with a separate electrode.

10. Adjust LOW setting of surface burner valves (linear flow).

Test to verify if LOW setting should be adjusted:

- Push in and turn control to LITE until burner ignites.
- Push in and quickly turn knob to lowest position.
- If burner goes out, reset control to OFF.
- Remove the surface burner control knob.
- Insert a thin-bladed screwdriver into the hollow valve stem and engage the slotted screw inside. Flame size can be increased or decreased with the turn of the screw (see Fig. 17 and Fig. 18).

⚠ WARNING DO NOT remove the adjustment screw from the valve stem.

- Adjust flame until you can quickly turn knob from LITE to lowest position without extinguishing the flame. Flame should be as small as possible without extinguishing.

Note: Air mixture adjustments are not required on surface burners.

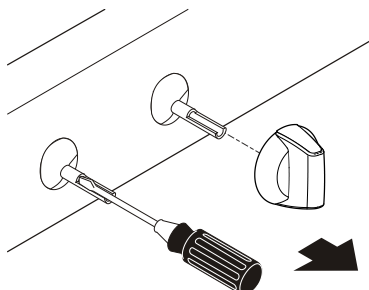


Fig. 17

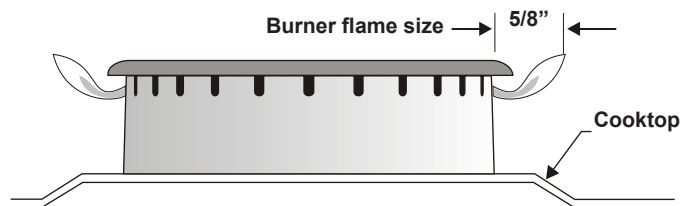


Fig. 18

11. Check ignition of oven burners.

The operation of oven igniters should be checked after range and supply line connectors have been carefully checked for leaks and range has been connected to electric power. Be sure all packing materials and literature are removed from oven.

The oven burner is equipped with an electric control system as well as an electric oven burner igniter. If your model is equipped with an upper oven burner, it will also have an electric burner igniter. These control systems require no adjustment. When the oven is set to operate, current will flow to the igniter. It will "glow" similar to a light bulb. When the igniter has reached a temperature sufficient to ignite gas, the electrically controlled oven valve will open and flame will appear at the oven burner. There is a time lapse from 30 to 60 seconds after the thermostat is turned ON before the flame appears at the oven burner. When the oven reaches the set temperature, the glowing igniter will cycle off. The burner flame will turn off in 20 to 30 seconds after the igniter turns off. To maintain any set oven temperature, this cycle will continue as long as the oven control is set to operate.

To check oven burner ignition:

- Set oven to Bake at 300°F. See User's Manual for operating instructions.
- Within 60 seconds the oven burner should ignite. Check for proper flame, and allow the burner to cycle once. Reset control to OFF.
- If your model is equipped with a waist-high broiler, set oven to Broil. See User's Manual for operating instructions.
- Within 60 seconds the broil burner should ignite. Check for proper flame. Reset control to OFF.

12. Make sure range is level.

Level the range by placing a level horizontally on an oven rack. Check diagonally from front to back, then level the range by either adjusting the leveling legs or by placing shims under the corners of the range as needed.

Note: After installation is complete, make sure all controls are left in the off position.

13. Care, Cleaning and Maintenance

Refer to the [Use & Care Manual](#) for cleaning instructions.

If removing the range is necessary for cleaning or maintenance, shut off gas supply. Disconnect the gas and electrical supply. If the gas or electrical supply is inaccessible, lift the range slightly at the front and pull out away from the wall. Pull out only as far as necessary to disconnect the gas and electrical supply. Finish removing the range for servicing and cleaning. Reinstall in reverse order making sure to level the range and check gas connections for leaks. Be sure to read and follow step 1 for proper Anti-tip installation.

14. Model and Serial Number Location

The serial plate is located on the right-hand surface of the oven front frame at the storage or warmer drawer; or the lower panel area.

When ordering parts for or making inquires about your range, always be sure to include the model and serial numbers and a lot number or letter from the serial plate on your range.

Your serial plate also tells you the Kilowatt rating (power requirements) and Voltage ratings.

Serial Plate Location:

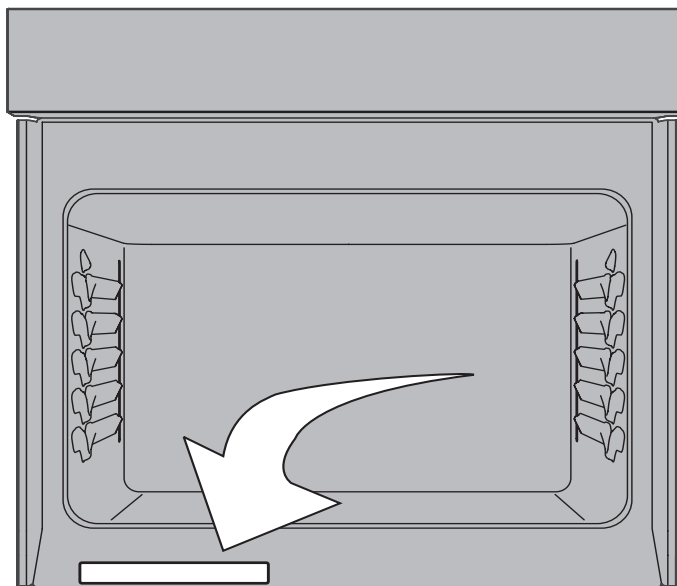


Fig. 19

Before You Call for Service

Read the "Before You Call" and operating instruction sections in your [Use & Care Manual](#). It may save you time and expense. The list includes common occurrences that are not the result of defective workmanship or materials in this appliance.

Refer to the warranty in your [Use & Care Manual](#) for our toll-free service number and address. Please call or write if you have inquiries about your range product and/or need to order parts.

INSTRUCTIONS D'INSTALLATION DE LA COMMANDE AVANT À GAZ DE 30 PO

L'INSTALLATION ET L'ENTRETIEN DOIVENT ÊTRE RÉALISÉS
PAR UN INSTALLATEUR QUALIFIÉ.

IMPORTANT : CONSERVEZ CES INSTRUCTIONS EN PRÉVISION D'UN USAGE ÉVENTUEL PAR L'INSPECTEUR EN ÉLECTRICITÉ DE VOTRE LOCALITÉ. VEUILLEZ LIRE ET CONSERVER CES INSTRUCTIONS POUR VOUS Y REPORTER ULTÉRIEUREMENT.



! AVERTISSEMENT POUR VOTRE SÉCURITÉ :

Vous ne devez ni entreposer, ni utiliser d'essence ou d'autres vapeurs ou liquides inflammables à proximité de cet appareil ou de tout autre appareil électroménager.



! AVERTISSEMENT POUR VOTRE SÉCURITÉ :

- **QUE FAIRE SI VOUS DÉTECTEZ UNE ODEUR DE GAZ :**
 - Ne mettez pas d'appareil en marche.
 - Ne touchez à aucun commutateur électrique; ne vous servez pas du téléphone de la maison.
 - En utilisant le téléphone d'un voisin, appelez immédiatement le fournisseur de gaz. Suivez les directives données par votre fournisseur de gaz.
 - Si vous ne pouvez joindre votre fournisseur de gaz, appelez les pompiers.
- L'installation et l'entretien de cet appareil doivent être réalisés par un installateur qualifié, un technicien de service ou le fournisseur de gaz.

! AVERTISSEMENT Ne faites jamais fonctionner la section de cuisson de surface supérieure de cet appareil sans surveillance.

- Le non-respect de cet avertissement peut entraîner un incendie, une explosion ou un risque de brûlure pouvant entraîner des dommages matériels, des blessures corporelles ou la mort.
- En cas d'incendie, éloignez-vous de l'appareil et appelez immédiatement les pompiers.

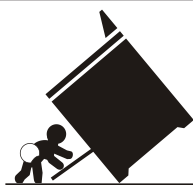
N'ESSAYEZ PAS D'ÉTEINDRE UN FEU D'HUILE/ GRAISSE AVEC DE L'EAU.

Remarques importantes pour l'installateur

- Lisez toutes les instructions contenues dans ce guide avant de procéder à l'installation de la cuisinière.
- Retirez tout le matériel d'emballage des compartiments du four avant de connecter la cuisinière à l'alimentation en gaz et à l'alimentation en électricité.
- Respectez tous les codes et tous les règlements.
- Assurez-vous de laisser ces instructions à l'utilisateur.

Remarque importante pour l'utilisateur

- Conservez ces instructions avec le guide d'utilisation et d'entretien pour vous y reporter ultérieurement.
- Assurez-vous que votre cuisinière est installée et mise à la terre de façon appropriée par un installateur qualifié ou un technicien de service.
- Assurez-vous que les revêtements muraux autour de la cuisinière peuvent résister à la chaleur générée par la cuisinière.
- Pour éliminer la nécessité d'atteindre au-dessus des éléments de surface, l'espace de stockage de l'armoire au-dessus des éléments doit être évité.

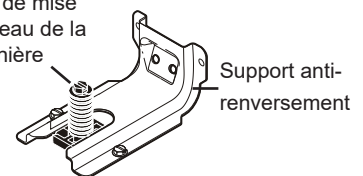


! AVERTISSEMENT **Risque de basculement**

- Un enfant ou un adulte peut faire basculer la cuisinière et en décéder.
- Vérifiez que le dispositif anti-renversement a été fixé au plancher ou au mur.
- Assurez-vous d'enclencher le dispositif anti-renversement lorsque la cuisinière est déplacée sur le plancher ou contre le mur.
- Ne faites pas fonctionner la cuisinière si le dispositif anti-renversement n'est pas en place et enclenché.
- Le non-respect de ces instructions peut causer des blessures fatales ou de graves brûlures aux enfants et aux adultes.



Pied de mise
à niveau de la
cuisinière



Pour vérifier si le support anti-renversement est correctement installé, attrapez le bord arrière de la cuisinière à deux mains. et essayez doucement de faire basculer la cuisinière vers l'avant. Lorsque le support est correctement installé, la cuisinière ne doit pas basculer vers l'avant.

Reportez-vous aux **instructions d'installation** du support anti-renversement fournies avec la cuisinière pour vous assurer que l'installation est effectuée de façon appropriée.

Type de gaz approprié

Avant de commencer : Votre cuisinière est pré-réglée en usine pour fonctionner au gaz naturel. Si une conversion au GPL est nécessaire, communiquez avec votre fournisseur de GPL pour obtenir de l'aide.

Il se peut qu'un nécessaire de conversion au GPL se trouve sur le panneau du bas, à l'arrière de la cuisinière. Si ce nécessaire de conversion n'est pas fourni, communiquez avec votre marchand pour obtenir le nécessaire approprié.

IMPORTANTES MESURES DE SÉCURITÉ

- L'installation de cette cuisinière doit être faite conformément aux codes locaux ou, si ce type de code n'existe pas, au code national sur le gaz combustible ANSI Z223.1 (dernière édition si l'appareil est installé aux États-Unis).
- Si la cuisinière est installée dans une maison préfabriquée (maison mobile), l'installation doit être conforme à la norme Manufactured Home Construction and Safety Standard, titre 24 CFR, partie 3280 (anciennement désignée comme la Federal Standard for Mobile Home Construction and Safety, titre 24, HUD [partie 280]) ou, si cette norme ne s'applique pas, l'installation doit être conforme à la norme ANSI/NCSBCS A225.1 de la Standard for Manufactured Home Installations, ou aux codes locaux.
- La conception de cette cuisinière a été approuvée par CSA Group. Comme dans le cas de tous les appareils fonctionnant au gaz et produisant de la chaleur, il est nécessaire de suivre certaines règles de sécurité. Vous les trouverez dans le [Guide d'utilisation et d'entretien](#). Lisez-les attentivement.
- **Vérifiez que votre cuisinière est installée et mise à la terre de façon appropriée par un installateur qualifié ou un technicien de service.**
- **Cette cuisinière doit être mise à la terre conformément aux codes locaux ou, en l'absence de tels codes, conformément au National Electrical Code ANSI/NFPA n° 70 (dernière édition lorsque l'installation est faite aux États-Unis).** Reportez-vous aux instructions de mise à la terre se trouvant à la page 8.
- Tous les matériaux utilisés dans la construction des armoires, des enceintes et des supports entourant le produit doivent avoir une température supérieure à 200 ° F (94 ° C).
- **Avant d'installer la cuisinière dans un endroit recouvert de linoléum ou de tout autre type de revêtement de sol synthétique, assurez-vous que ce revêtement peut supporter une chaleur se situant au moins à 50 °C (90 °F) au-dessus de la température de la pièce sans qu'il ne rétrécisse, ne gauchisse ou ne se décolore.** N'installez pas la cuisinière sur de la moquette, à moins que vous placiez une plaque isolante en contreplaqué d'une épaisseur de 0,6 cm (1/4 po) entre l'appareil et la moquette.
- **Assurez-vous que le revêtement des murs qui se trouve autour de la cuisinière peut supporter la chaleur produite par celle-ci.**
- **N'obstruez pas le débit d'air ni au niveau de l'évent du four, ni autour de sa base. Ne bloquez pas non plus le panneau avant inférieur de la cuisinière.** Évitez de toucher aux ouvertures de l'évent ou à la région située près des surfaces, car celles-ci peuvent devenir très chaudes lorsque le four fonctionne. Cette cuisinière nécessite de l'air frais pour permettre une bonne combustion des brûleurs.
- Les rideaux d'air ou autres hottes de cuisinière en hauteur qui projettent de l'air vers la cuisinière en contrebas ne doivent pas être utilisés avec des cuisinières à gaz, sauf si la hotte et la cuisinière ont été conçues, testées et répertoriées par un laboratoire d'essais indépendant et peuvent fonctionner conjointement.

⚠ AVERTISSEMENT N'ESSAYEZ PAS DE FAIRE FONCTIONNER LE FOUR À ALLUMAGE ÉLECTRIQUE DURANT UNE PANNE D'ÉLECTRICITÉ. REMETTEZ TOUTES LES COMMANDES DU FOUR À LA POSITION « OFF » (ARRÊT) EN CAS DE PANNE D'ÉLECTRICITÉ.

L'allumeur électrique rallumera automatiquement le brûleur du four lorsque l'électricité reviendra, si les commandes du thermostat du four ont été laissées à « ON » (marche).

Lorsqu'une panne d'électricité survient durant l'utilisation, les brûleurs de surface continueront de fonctionner.

Durant une panne d'électricité, les brûleurs de surface peuvent être allumés au moyen d'une allumette. Pour ce faire, tenez une allumette allumée près du brûleur, puis faites tourner lentement le bouton à la position « LITE » (allumage). Faites preuve d'une grande prudence lorsque vous allumez les brûleurs de cette façon.

⚠ AVERTISSEMENT Ne laissez jamais un enfant seul ou sans surveillance à proximité d'un appareil électroménager en marche. Enseignez aux enfants la manière d'utiliser les appareils électroménagers de façon appropriée et sécuritaire. Ne laissez jamais la porte du four ouverte lorsque celui-ci est laissé sans surveillance.

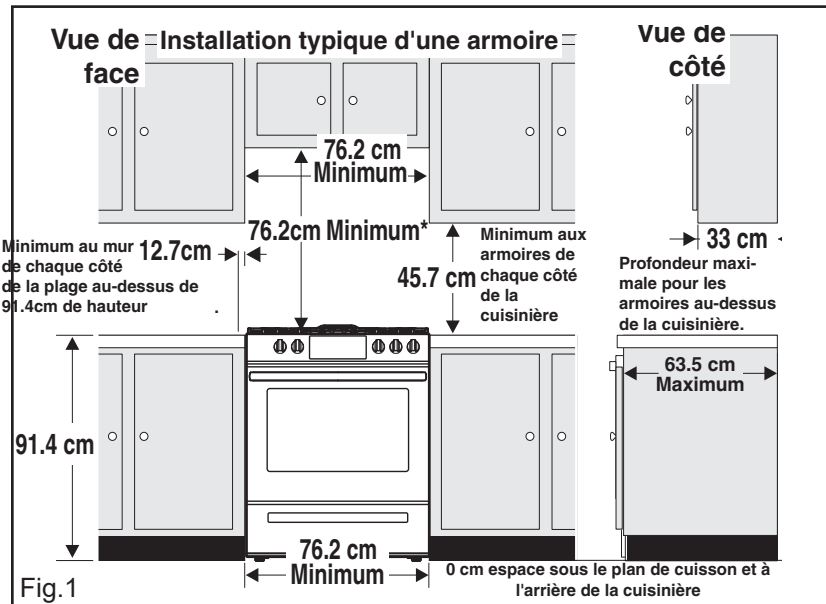
⚠ AVERTISSEMENT Grimper, s'appuyer ou s'asseoir sur les portes ou les tiroirs de la cuisinière peut causer des blessures graves aux personnes ainsi que des dommages à la cuisinière.

- **Ne rangez pas d'articles pouvant intéresser les enfants dans les armoires se situant au-dessus de la cuisinière.** En voulant atteindre ces articles, les enfants risqueraient de se brûler gravement.
- **Pour éliminer le besoin d'avoir à se pencher au-dessus des brûleurs de surface, vous devriez éviter de ranger des articles dans les armoires situées au-dessus des brûleurs.**
- **Régalez la flamme du brûleur de surface pour qu'elle ne dépasse pas du bord de l'ustensile de cuisson.** Les flammes excessives sont dangereuses.
- **N'utilisez pas le four comme espace de rangement.** Cela pourrait créer une situation potentiellement dangereuse.
- **N'utilisez jamais votre cuisinière pour réchauffer ou chauffer une pièce.** Une utilisation prolongée de la cuisinière sans aération adéquate peut s'avérer dangereuse.
- **N'entrez pas et n'utilisez pas d'essence ni d'autres liquides et vapeurs inflammables près de la cuisinière ou de tout autre appareil électroménager.** Cela pourrait causer des explosions ou des incendies.
- **Remettez toutes les commandes à la position « OFF » (arrêt) après avoir utilisé la fonction de programmation de la minuterie.**
- Contrairement à celle de certaines cuisinières, la table de cuisson n'est pas amovible. Ne tentez pas de retirer cette table de cuisson.

INSTRUCTIONS D'INSTALLATION DE LA COMMANDE AVANT À GAZ DE 30 PO

1. Dégagements et dimensions

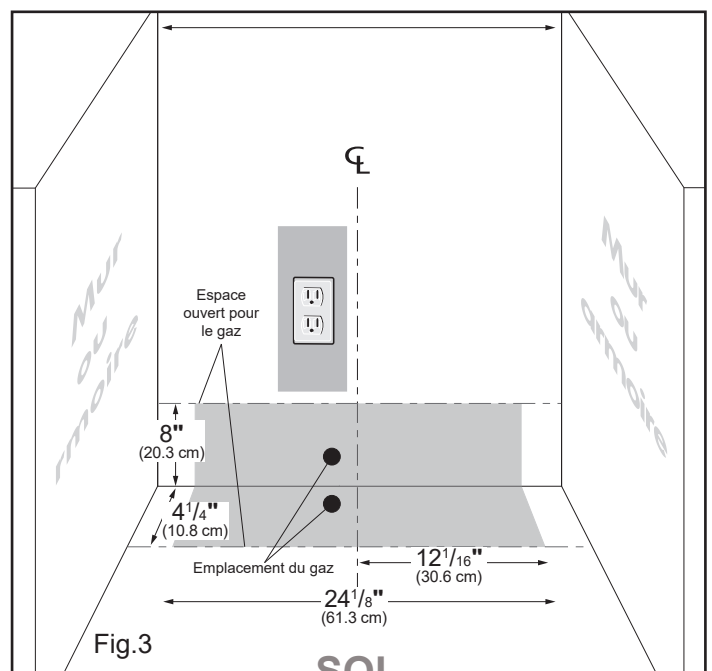
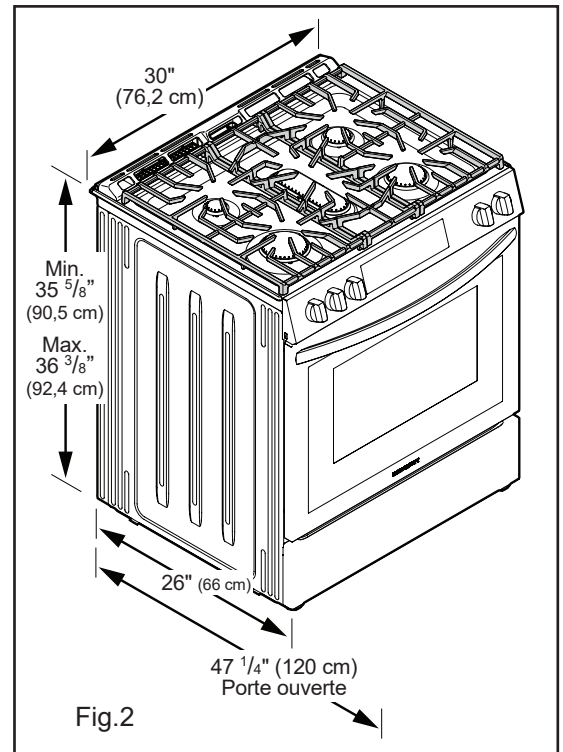
- Veillez à créer un dégagement suffisant entre la cuisinière et les surfaces combustibles adjacentes.
- Emplacement – Vérifiez l'emplacement où sera installée la cuisinière. Confirmez la présence d'une source appropriée d'électricité et de gaz ainsi que la stabilité du plancher.
- Les dimensions données sur l'image doivent être respectées. Les dimensions données procurent un dégagement minimal. La surface qui supportera l'appareil doit être solide et de niveau.



* AU MOINS 762 mm (30 po) DE DÉGAGEMENT ENTRE LE HAUT DE LA SURFACE DE CUISSON ET LE BAS D'UNE ARMOIRE EN BOIS OU EN MÉTAL NON PROTÉGÉE; OU AU MOINS 610 mm (24 po) LORSQUE LE BAS DE L'ARMOIRE EN BOIS OU EN MÉTAL EST PROTÉGÉ PAR UN CELLODERME IGNIFUGE D'AU MOINS 6 mm (1/4 po) COMPORTANT UNE FEUILLE D'ACIER N° 28, D'ACIER INOXYDABLE D'AU MOINS 0,4 mm (0,015 po), D'ALUMINIUM D'AU MOINS 0,6 mm (0,024 po) OU DE CUIVRE D'AU MOINS 0,5 mm (0,020 po). 0 mm (0 po) CORRESPOND AU DÉGAGEMENT MINIMAL POUR L'ARRIÈRE DE LA CUISINIÈRE. RESPECTEZ TOUTES LES EXIGENCES CI-DESSUS RELATIVES AUX DIMENSIONS POUR ÉVITER DES DOMMAGES À LA PROPRIÉTÉ, DES RISQUES D'INCENDIE ET DES DÉCOUPES DE COMPTOIR ET D'ARMOIRE INCORRECTES.

POUR ÉLIMINER LES RISQUES DE BRÛLURE OU D'INCENDIE QUI PEUVENT SURVENIR EN VOUS PENCHANT AU-DESSUS D'UN ÉLÉMENT DE SURFACE CHAUD, VOUS DEVRIEZ ÉVITER DE RANGER DES ARTICLES DANS LES ARMOIRES AU-DESSUS DE LA CUISINIÈRE. SI VOUS UTILISEZ DES ARMOIRES SITUÉES AU-DESSUS DE LA CUISINIÈRE POUR LE RANGEMENT, VOUS POUVEZ RÉDUIRE LES RISQUES D'ACCIDENT EN INSTALLANT UNE HOTTE QUI DÉPASSE D'AU MOINS 127 mm (5 po) À L'HORIZONTALE EN DESSOUS DES ARMOIRES.

⚠ AVERTISSEMENT N'ESSAYEZ PAS DE FAIRE FONCTIONNER LE FOUR À ALLUMAGE ÉLECTRIQUE DURANT UNE PANNE D'ÉLECTRICITÉ. REMETTEZ TOUTES LES COMMANDES DU FOUR À LA POSITION « OFF » (ARRÊT) EN CAS DE PANNE D'ÉLECTRICITÉ.



L'allumeur électrique rallumera automatiquement le brûleur du four lorsque l'électricité reviendra, si les commandes du thermostat du four ont été laissées à « ON » (marche).

INSTRUCTIONS D'INSTALLATION DE LA COMMANDE AVANT À GAZ DE 30 PO

Lorsqu'une panne d'électricité survient durant l'utilisation, les brûleurs de surface continueront de fonctionner.

Durant une panne d'électricité, les brûleurs de surface peuvent être allumés au moyen d'une allumette. Pour ce faire, tenez une allumette allumée près du brûleur, puis faites tourner lentement le bouton à la position « LITE » (allumage). Faites preuve d'une grande prudence lorsque vous allumez les brûleurs de cette façon.

2. Outils nécessaires

(Portez des lunettes de sécurité lorsque vous utilisez les outils) :

Pour l'ajustement des pieds de mise à niveau et l'installation du support anti-renversement :

- Clé à molette ou pince multiprise ordinaire (Fig. a)
- Tournevis à douille de 5/16 po ou tournevis à lame plate (Fig. b)
- Perceuse électrique munie d'une mèche de 1/8 po (si l'installation est faite dans le béton, utilisez une mèche à maçonnerie de 3/16 po) (Fig. c)
- Niveau (Fig. d)

Pour le raccord d'alimentation en gaz :

- Clé à molette et clé à tuyau (Fig. a et e)

Pour le réglage de la flamme du brûleur :

- Tournevis Phillips et petit tournevis à lame plate (Fig. f et g)

Matériel requis :

- Pâte à joint pour tuyau résistant au gaz propane/GPL (Fig. h)
- Robinet d'arrêt manuel sur la conduite d'alimentation en gaz (Fig. i)
- Conduite flexible neuve en métal pour appareil électroménager (1,3 cm [1/2 po] de NPT x 1,9 cm [3/4 po] ou 1,3 cm [1/2 po] de diam. int.) approuvée par CSA International Étant donné que les tuyaux rigides empêchent la cuisinière de bouger, nous recommandons l'utilisation d'une conduite flexible neuve (mesurant de 121,9 cm à 152,4 cm [4 pi à 5 pi]) pour chaque nouvelle installation ou réinstallation (Fig. j).
- Utilisez des raccords-unions évasés neufs (1/2 po de NPT x 3/4 po ou 1/2 po de DI) (Fig. k).

Matériel fourni avec l'appareil :

- Gabarit pour support anti-renversement (Fig. l)
- Support anti-renversement avec deux vis de montage (Fig. m)

Instructions particulières pour les appareils installés dans l'État du Massachusetts :

Cet appareil ne peut être installé dans l'État du Massachusetts que par un plombier ou un monteur d'installations au gaz qualifié de cet État. Si vous utilisez un raccord de gaz flexible, celui-ci ne doit pas excéder 0,91 m (3 pi) de longueur. Un robinet de gaz manuel en « T » doit être installé à la conduite de gaz qui est branchée à cet appareil.

Outils

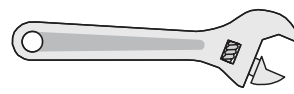


Fig. a

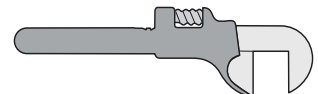


Fig. e

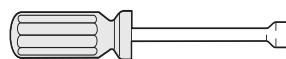


Fig. b



Fig. f

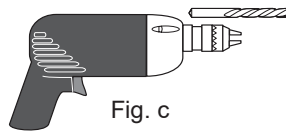


Fig. c



Fig. g

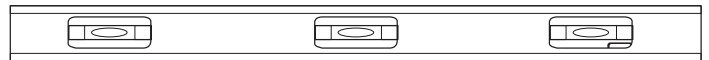


Fig. d

Matériel



Fig. h



Fig. i

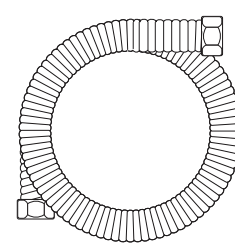


Fig. j



Fig. k

Matériel fourni avec l'appareil

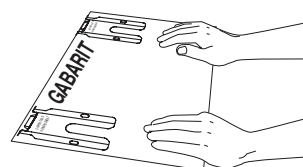


Fig. l

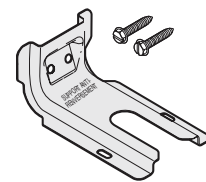


Fig. m

INSTRUCTIONS D'INSTALLATION DE LA COMMANDE AVANT À GAZ DE 30 PO

3. Installer le support anti-renversement

AVIS DE SÉCURITÉ IMPORTANT!

Afin de réduire les risques de renversement, la cuisinière doit être fixée au plancher de façon appropriée au moyen du support anti-renversement et des vis fournis avec la cuisinière. Ne pas installer le support anti-renversement peut faire en sorte que la cuisinière bascule si un poids excessif est placé sur la porte ouverte ou si un enfant grimpe sur l'appareil. Des blessures graves peuvent être causées par le renversement de liquides chauds ou par la cuisinière elle-même.

Si vous devez changer l'emplacement de la cuisinière, les supports anti-renversement doivent également être installés au nouvel endroit.

Des instructions sont fournies pour l'installation dans le bois ou dans le ciment, sur le plancher ou sur le mur. Lorsque vous faites l'installation sur le mur, assurez-vous que les vis sont bien enfoncées dans la cloison sèche et qu'elles sont fixées dans du bois ou du métal. Lorsque vous faites l'installation sur le plancher ou sur le mur, assurez-vous que les vis ne s'enfoncent pas dans des fils électriques ou de la tuyauterie.

Instructions d'installation du support anti-renversement

- a. **Installation du support à l'aide du gabarit** (le support peut être installé sur le côté gauche ou sur le côté droit de la cuisinière. Reportez-vous aux Figures 4, 5 et 7 pour l'installation du support si aucun gabarit n'est fourni).

Faites une marque sur le plancher ou sur le mur à l'endroit où le côté gauche ou le côté droit de l'appareil se trouvera. Si l'arrière de la cuisinière repose contre le mur ou se trouve à moins de 4,5 cm (1-13/16 po) de celui-ci une fois installée, vous pouvez utiliser la méthode de montage sur le plancher ou sur le mur. S'il y a une moulure et que celle-ci empêche d'appuyer complètement le support contre le mur, enlevez-la ou montez le support sur le plancher.

Pour effectuer le montage sur le mur (Fig. 4), installez le support en plaçant le bord arrière du gabarit contre le mur qui se trouve à l'arrière de la cuisinière et le bord latéral du gabarit sur la marque servant de repère pour l'emplacement du côté de la cuisinière. Placez le support sur le dessus du gabarit et faites des marques sur le mur pour indiquer à quel endroit seront insérées les vis. Si l'arrière de la cuisinière se trouve à plus de 4,5 cm (1-13/16 po) du mur lorsqu'elle est installée, fixez le support au plancher (voir Fig. 5).

FIXEZ LE SUPPORT (montage au mur ou plancher)

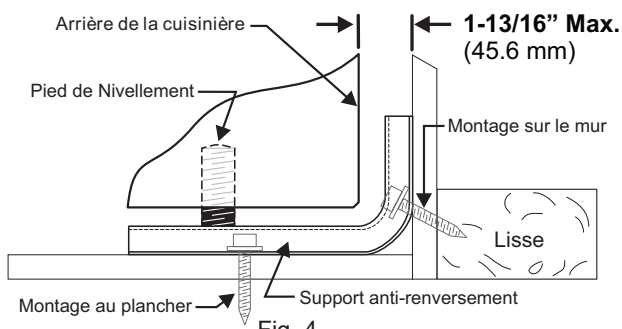


Fig. 4

FIXEZ LE SUPPORT (montage au plancher seulement)

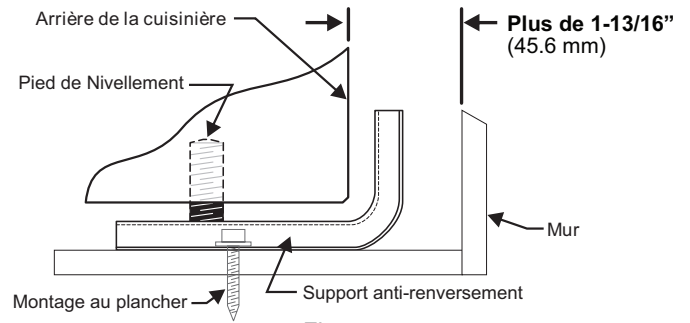


Fig. 5

Pour effectuer le montage sur le plancher, installez le support en plaçant le bord arrière du gabarit à l'endroit où l'arrière de la cuisinière se trouvera. Marquez les endroits où les vis seront enfoncées, tel qu'illustré sur le gabarit.

- b. **Perçage d'avant-trous et fixation du support** - Percez un avant-trou de 0,3 cm (1/8 po) à l'endroit où les vis seront insérées (Fig. 6). Si le support doit être monté sur le mur,

percez les avant-trous dans un angle descendant d'environ 20°. Si le support doit être installé sur un plancher en béton ou en céramique, percez des avant-trous de 0,5 cm (3/16 po) et d'une profondeur de 4,5 cm (1-3/4 po). Les vis fournies peuvent être utilisées dans le bois ou dans le béton. Servez-vous d'un tournevis à douille de 5/16 po ou d'un tournevis à lame plate pour viser le support.

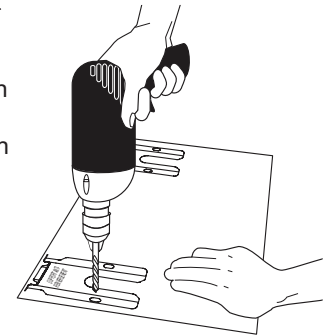


Fig. 6

- c. **Mise à niveau et positionnement de la cuisinière** - Mettez la cuisinière de niveau en réglant les quatre (4) pieds de mise à niveau à l'aide d'une clé.

Remarque : Il est nécessaire de laisser un espace libre d'au moins 0,3 cm (1/8 po) entre le bas de la cuisinière et les pieds de mise à niveau pour le support.

Faites glisser la cuisinière pour la remettre en place (Fig. 7). Retirez le panneau inférieur ou le tiroir de rangement pour vérifier si le pied de mise à niveau arrière est inséré et solidement fixé à l'aide du support. Dans le cas des modèles comportant un tiroir chauffant ou un tiroir-gril, agrippez le bord supérieur arrière de la cuisinière et, avec précaution, tentez de la pencher vers l'avant.

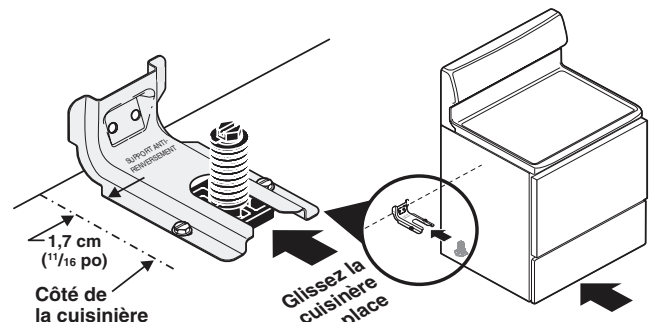


Fig. 7

INSTRUCTIONS D'INSTALLATION DE LA COMMANDE AVANT À GAZ DE 30 PO

4. Prévoir une alimentation en gaz adaptée

Remarque : Si l'altitude est supérieure à 610 m (2 000 pi), les caractéristiques nominales de l'appareil doivent être réduites de 4 % pour chaque tranche de 305 m (1 000 pi) d'altitude au-dessus du niveau de la mer.

Cette cuisinière est pré-réglée pour fonctionner au moyen d'une pression au collecteur de 10,2 cm (4 po). Un détendeur convertible est raccordé au collecteur et DOIT être branché en série avec la conduite d'alimentation en gaz. Si vous utilisez le nécessaire de conversion au gaz propane/GPL, suivez les instructions fournies dans ce nécessaire pour faire la conversion du détendeur.

Lors de l'installation de la cuisinière, il est important de s'assurer que le débit d'air nécessaire à la combustion et à la ventilation n'est pas obstrué.

Pour assurer le bon fonctionnement de la cuisinière, la pression d'admission maximale allant vers le détendeur ne doit pas dépasser 35,6 cm (14 po) par rapport à la colonne d'eau. La pression d'admission allant vers le détendeur doit être supérieure d'au moins 2,5 cm (1 po) à la pression au collecteur du détendeur.

Exemple : Si le détendeur est réglé à une pression au collecteur de 10,2 cm (4 po) pour le gaz naturel, la pression d'admission doit être d'au moins 12,7 cm (5 po); si le détendeur a été converti au gaz propane/GPL et est réglé à une pression au collecteur de 25,4 cm (10 po), la pression d'admission doit être d'au moins 27,9 cm (11 po).

Veuillez procéder à la détection des fuites en suivant les instructions de l'étape 4g.

La conduite d'alimentation en gaz doit être d'un diamètre intérieur de 1,3 cm (1/2 po) ou de 1,9 cm (3/4 po).

5. Boucher les ouvertures qui se trouvent dans le mur

Après avoir installé la conduite d'alimentation en gaz, boucher toutes les ouvertures qui se trouvent dans le mur situé derrière la cuisinière ainsi que ceux se trouvant dans la partie du plancher située sous la cuisinière.

6. Raccorder la cuisinière à la conduite d'alimentation en gaz

Remarque : Pour éviter les fuites, utilisez de la pâte à joint pour tuyau sur tous les raccords de tuyau de type mâle (vers l'extérieur). **Empêchez le détendeur de gaz de s'ouvrir lorsque vous effectuez le serrage des raccords.**

- Installez un robinet d'arrêt manuel externe sur la conduite d'alimentation en gaz dans un endroit accessible situé à l'extérieur de la cuisinière. Assurez-vous de connaître l'endroit où se trouve le robinet d'arrêt ainsi que la façon d'arrêter l'alimentation en gaz de la cuisinière (voir Fig. 8).
- Installez un adaptateur à raccord-union de 1,3 cm (1/2 po) sur le détendeur **sans serrer à plus de 15 pi/lb** (voir Fig. 8).

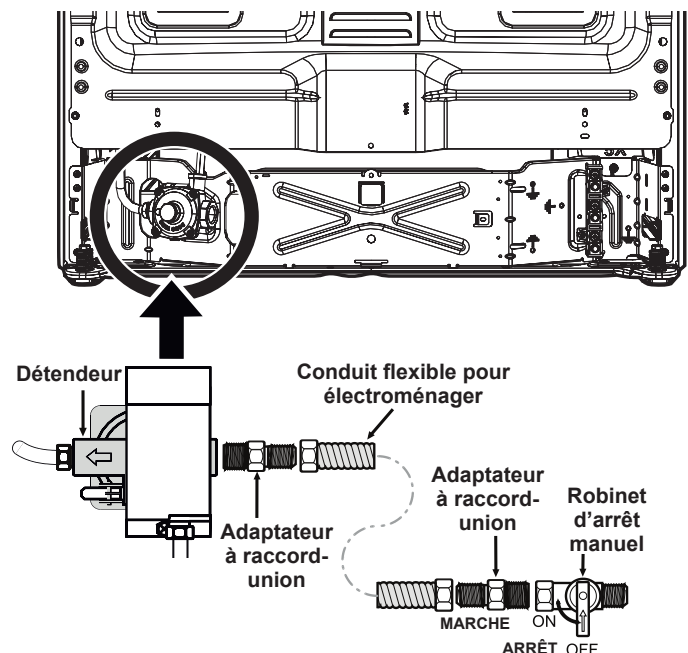


Fig. 8 - Branchement de l'alimentation

Veuillez à **stabiliser** le côté gauche du détendeur de gaz avant de serrer TOUS les autres raccords qui lui sont rattachés. Empêchez le détendeur de s'ouvrir lorsque vous effectuez le serrage des raccords (voir Fig. 9).

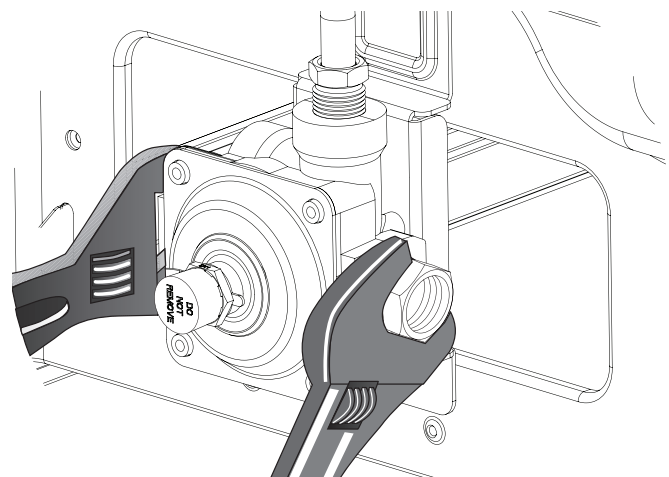
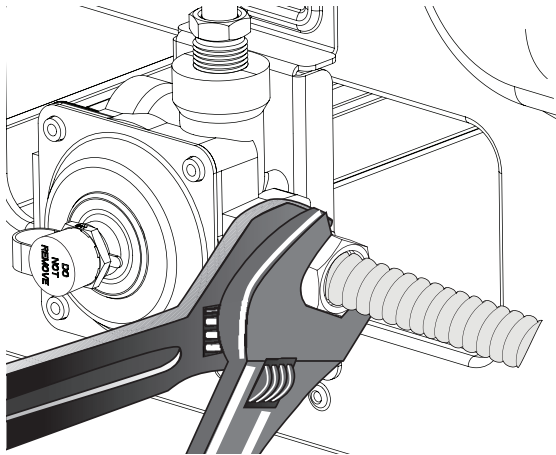


Fig. 9

INSTRUCTIONS D'INSTALLATION DE LA COMMANDE AVANT À GAZ DE 30 PO

- c. Serrez le raccord d'alimentation en gaz ou la conduite de l'appareil en le branchant à l'adaptateur de raccord-union qui se trouve du côté droit du détendeur (voir Fig. 10) **SANS SERRER À PLUS DE 15 pi/lb.** Veillez à **stabiliser** le raccord-union évasé de 1,3 cm (1/2 po) au moyen d'une clé à molette avant d'effectuer le serrage des raccords de l'alimentation en gaz ou de la conduite de l'appareil.



- d. Raccordez l'adaptateur de raccord-union au robinet d'arrêt manuel externe (voir Fig. 8).
- e. Fixez la conduite de l'appareil à l'adaptateur de raccord-union raccordé au robinet d'arrêt (voir Fig. 8).
- f. **Vérifiez que le robinet d'arrêt d'entretien qui se trouve sur le détendeur est bien en position « ON »** (marche) (voir Fig. 11).

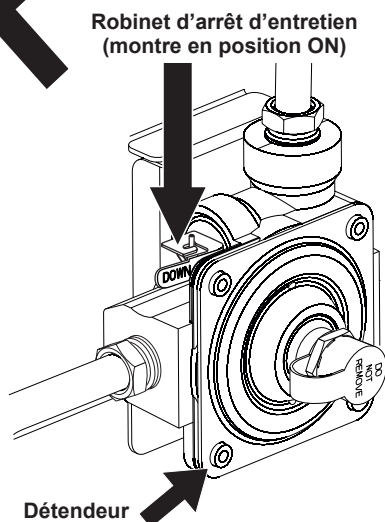
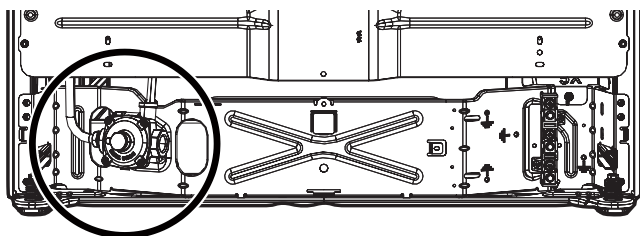


Fig. 11

- g. Vérifiez s'il y a des fuites. Ouvrez l'alimentation en gaz de la cuisinière et servez-vous d'un détecteur de fuite de liquide au niveau de tous les joints et de toutes les conduites pour vérifier s'il y a des fuites dans le système.

Vérifier la pression de gaz au collecteur

⚠ AVERTISSEMENT N'utilisez pas de flamme pour détecter les fuites de gaz.

Débranchez la cuisinière et son robinet d'arrêt de la canalisation de gaz si la vérification de la pression de l'alimentation en gaz indique une pression qui dépasse 35,6 cm (14 po) à la colonne d'eau, soit environ 3,54 kPa (1/2 lb/po²).

L'appareil doit être isolé de la canalisation de gaz en fermant son robinet d'arrêt manuel si la vérification de la pression de la canalisation de gaz indique une pression égale ou inférieure à 35,6 cm (14 po) à la colonne d'eau, soit environ 3,54 kPa (1/2 lb/po²).

S'il s'avère nécessaire de vérifier la pression de gaz au collecteur, branchez un manomètre (hydromètre) ou un autre appareil de vérification de pression au gicleur du brûleur de surface arrière droit. Tenez un tuyau en caoutchouc d'environ 0,6 cm (1/4 po) de diamètre intérieur relié à l'appareil de vérification, bien serré contre le gicleur. Ouvrez la soupape du brûleur.

Pour obtenir une vérification précise de la pression, faites fonctionner au moins deux (2) autres brûleurs de surface pendant la vérification. Assurez-vous que la pression d'alimentation en gaz (pression d'admission) est supérieure d'au moins 2,5 cm (1 po) à la pression du collecteur. La pression de l'alimentation en gaz ne doit jamais être supérieure à 35,6 cm (14 po) à la colonne d'eau. La pression au collecteur est de 10,2 cm (4 po) lorsque celle-ci est ajustée de façon appropriée pour le gaz naturel. Pour le gaz propane/GPL, la pression au collecteur doit être de 25,4 cm (10 po).

INSTRUCTIONS D'INSTALLATION DE LA COMMANDE AVANT À GAZ DE 30 PO

7. Lire les consignes suivantes sur le branchement électrique avant de brancher la cuisinière.

⚠ AVERTISSEMENT Avant d'effectuer une réparation, débranchez l'alimentation électrique au niveau du disjoncteur, du fusible ou du cordon d'alimentation.

Exigences concernant l'électricité :

Circuit de dérivation séparé mis à la terre et polarisé correctement protégé par un disjoncteur de 15 A ou un fusible temporisé. **Reportez-vous à la plaque signalétique pour connaître la tension appropriée.**

Précautions à prendre concernant l'utilisation d'une rallonge :

En raison du danger potentiel que peuvent représenter les rallonges dans certaines situations, nous déconseillons fortement leur utilisation. Toutefois, si vous choisissez tout de même d'utiliser une rallonge, il est absolument nécessaire que celle-ci soit **une rallonge pour électroménagers à trois broches avec mise à la terre homologuée UL** et que le courant nominal de la rallonge soit équivalent ou supérieur au courant nominal du circuit de dérivation. Ce type de rallonge est disponible au service après-vente de votre région.

⚠ AVERTISSEMENT Veuillez lire attentivement ces instructions! Pour des raisons de sécurité, ce produit doit être correctement mis à la terre.

Ne coupez et ne retirez jamais, en aucune circonstance, la troisième broche (mise à la terre) du cordon d'alimentation (voir Fig. 12).

Si la prise murale ne possède que deux alvéoles, il vous revient de la faire remplacer par une prise murale à trois alvéoles mise à la terre correctement.

Méthode recommandée

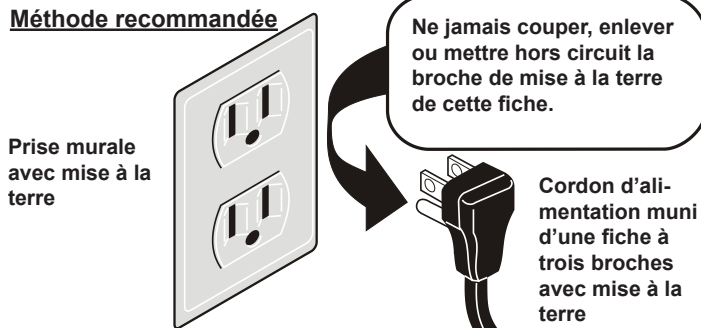


Fig. 12

Instructions de mise à la terre :

Le cordon d'alimentation de cet appareil est muni d'une fiche à trois broches (mise à la terre) qui correspond aux prises murales à trois alvéoles qui réduisent les risques de chocs électriques causés par cet appareil. L'utilisateur devrait faire vérifier la prise murale et le circuit par un électricien qualifié pour s'assurer que la prise est mise à la terre et polarisée de façon appropriée.

8. Vérifier le positionnement du chapeau de brûleur

Il est **très important** de vérifier que tous les chapeaux et toutes les grilles des brûleurs de surface sont correctement installés et se trouvent au bon endroit **avant** d'utiliser l'appareil. Veuillez noter que les têtes des brûleurs sont fixées à la table de cuisson. **La table de cuisson n'est pas amovible.** N'essayez pas de soulever ou d'enlever la table de cuisson.

⚠ AVERTISSEMENT Pour éviter les poussées de flammes ou la création de sous-produits dangereux, **n'utilisez pas** la surface de cuisson si les chapeaux des brûleurs ne sont pas bien installés, ceci afin d'assurer un allumage adéquat et une bonne dimension de la flamme.

Laissez toujours les chapeaux et les têtes de brûleur en place lorsque les brûleurs de surface sont utilisés. **Ne laissez pas de renversements, de nourriture, de produits de nettoyage ni d'autres produits pénétrer dans l'ouverture du porte-gicleur.**

Vérifiez que chaque brûleur est doté du chapeau approprié. Vérifiez que tous les chapeaux de brûleur **ronds** sont bien placés sur des têtes de brûleur ronds.

Vérifiez que tous les chapeaux de brûleur **ovales** sont bien placés sur des têtes de brûleur ovales (le cas échéant). Vérifiez que tous les chapeaux de brûleur **doubles** ou **jumeaux** sont bien placés sur des têtes de brûleur doubles ou jumelles (le cas échéant).

Sur les brûleurs ronds, la lèvre du chapeau du brûleur (voir Fig. 13) doit s'adapter au gicleur au centre de la tête de brûleur et être de niveau. Reportez-vous aux Figures 14 et 15 pour le positionnement correct et incorrect du chapeau du brûleur.

Vous pouvez vérifier l'installation en faisant doucement glisser latéralement le chapeau du brûleur (Fig. 16) pour vous assurer qu'il est bien centré et bien assis. Lorsque la lèvre du chapeau du brûleur entre en contact avec le centre de la tête du brûleur, vous pourrez entendre un clic. Le chapeau du brûleur **NE DEVRAIT PAS** sortir hors du centre de la tête du brûleur lors du déplacement latéral.

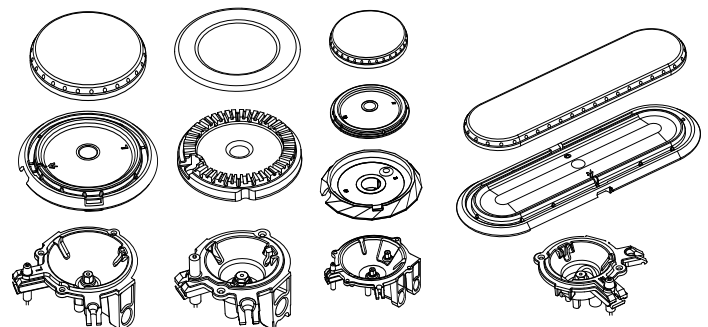
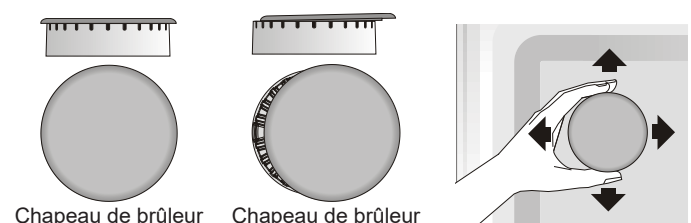


Fig. 13



Chapeau de brûleur bien positionné

Fig. 14

Chapeau de brûleur mal positionné

Fig. 15

Fig. 16

9. Vérifiez l'allumage des brûleurs de surface.

Après vous être assuré que la cuisinière et les raccords de la conduite d'alimentation ne présentent aucune fuite, branchez la cuisinière à l'alimentation en électricité et vérifiez le fonctionnement des allumeurs électriques.

- Pour vérifier l'allumage, **poussez et tournez** le bouton de l'un des brûleurs de surface **dans le sens contraire des aiguilles d'une montre** et mettez-le à la position **LITE** (allumage). Vous entendrez alors l'allumeur produire des étincelles.
- Le brûleur de surface devrait s'allumer lorsque le gaz se rend à son niveau. Faites sortir l'air qui se trouve dans les conduites d'alimentation en laissant le bouton à la position **LITE** (allumage) jusqu'à ce que le brûleur s'allume. Chaque brûleur devrait s'allumer en l'espace de 4 secondes dans le cas d'un fonctionnement normal après avoir fait sortir l'air qu'il y avait dans les conduites d'alimentation.
- Vérifiez si le brûleur s'est allumé. Une fois que le brûleur s'est allumé, le bouton de commande devrait être retiré de la position « LITE » (allumage).
- Essayez le bouton de chaque brûleur de surface jusqu'à ce que ces derniers aient tous été vérifiés. Chaque brûleur est muni d'une électrode distincte.

10. Régler les soupapes des brûleurs de surface à la position LOW (bas)(débit linéaire).

Vérifier si le réglage faible « LOW » doit être ajusté :

- Appuyez sur le bouton de commande et tournez-le à la position « LITE » (allumage) jusqu'à ce que le brûleur s'allume.
- Appuyez sur le bouton de commande et tournez-le rapidement à la position la plus basse (« LOW »).
- Si le brûleur s'éteint, remettez le bouton à « OFF » (arrêt).
- Retirez le bouton de commande du brûleur de surface.
- Insérez un tournevis à lame étroite dans la tige creuse du robinet et tournez la vis à l'intérieur. La hauteur de la flamme peut être augmentée ou diminuée par le réglage de cette vis. Tournez vers la gauche pour augmenter la hauteur de la flamme (Fig. 17 et Fig. 18).
- Ajustez la flamme jusqu'à ce que le bouton de commande puisse être tourné rapidement de la position « LITE » (Allumage) à la position la plus basse (« LOW ») sans que la flamme s'éteigne. La flamme doit être aussi petite que possible sans s'éteindre.

Remarque : Le réglage du mélange d'air n'est pas requis pour les brûleurs de surface.

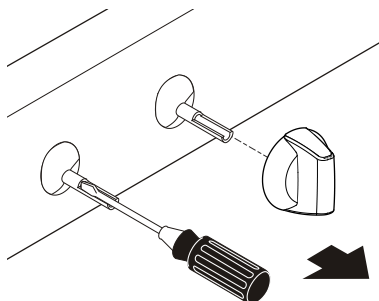


Fig. 17

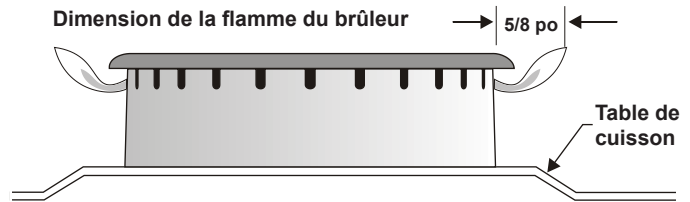


Fig. 18

11. Vérifier l'allumage des brûleurs du four

Après avoir vérifié que la cuisinière et les raccords de la conduite d'alimentation ne présentent aucune fuite, branchez la cuisinière à l'alimentation en électricité et vérifiez le fonctionnement des allumeurs électriques. Vérifiez que tous les matériaux d'emballage et la documentation ont été retirés du four.

Le brûleur du four est muni d'un système de commande électrique ainsi que d'un allumeur électrique. Si votre modèle est muni d'un brûleur de four supérieur, votre appareil est aussi équipé d'un allumeur électrique. Ces systèmes de commande ne nécessitent aucun réglage. Lorsque le four est prêt à fonctionner, le courant se rendra jusqu'à l'allumeur. Celui-ci « brillera » un peu comme une ampoule. Lorsque l'allumeur a atteint une température suffisante pour permettre d'allumer le gaz, la soupape du four à commande électrique s'ouvrira et fera apparaître une flamme au niveau du brûleur du four. Il peut s'écouler de 30 à 60 secondes après la mise en marche du thermostat avant que la flamme apparaisse au niveau du brûleur du four. Lorsque le four aura atteint la température désirée, l'allumeur s'éteindra. La flamme du brûleur s'éteindra dans une période allant de 20 à 30 secondes après que l'allumeur se sera arrêté. Afin de maintenir la température désirée, ce cycle continuera aussi longtemps que la commande du four sera réglée pour fonctionner.

Pour vérifier l'allumage du brûleur du four :

- Réglez le four sur **Bake (cuisson au four)** à une température de **149 °C (300 °F)**. Pour connaître les instructions d'utilisation, reportez-vous au Guide de l'utilisateur.
- Le brûleur du four devrait s'allumer en l'espace de 60 secondes. Vérifiez la qualité de la flamme, puis laissez le brûleur effectuer un cycle. Éteignez les commandes.
- Si votre modèle est muni d'un brûleur de gril situé à hauteur de la taille, réglez votre four à **Broil (gril)**. Pour connaître les instructions d'utilisation, reportez-vous au Guide de l'utilisateur.
- Le brûleur du gril devrait s'allumer en l'espace de 60 secondes. Vérifiez la qualité de la flamme. Éteignez les commandes.

INSTRUCTIONS D'INSTALLATION DE LA COMMANDE AVANT À GAZ DE 30 PO

12. Assurez-vous que la cuisinière est de niveau.

Nivelez la cuisinière en plaçant un niveau horizontalement sur une grille de four. Vérifiez en diagonale d'avant en arrière, puis nivelez la cuisinière en ajustant les pieds de mise à niveau ou en plaçant des cales sous les coins de la cuisinière au besoin.

Remarque: Une fois l'installation terminée, assurez-vous que toutes les commandes sont laissées en position d'arrêt.

13. Nettoyage et entretien

Reportez-vous au Guide de l'utilisateur pour obtenir des instructions de nettoyage détaillées. Si le déplacement de la cuisinière est nécessaire pour effectuer le nettoyage et l'entretien, fermez l'alimentation en gaz. Débranchez l'alimentation en gaz et en électricité. Si l'alimentation en gaz ou en électricité est inaccessible, soulevez légèrement la cuisinière par l'avant et tirez-la vers vous pour l'éloigner du mur. Tirez la cuisinière seulement sur la distance nécessaire pour permettre de débrancher l'alimentation en gaz et en électricité. Finissez de déplacer la cuisinière pour effectuer l'entretien et le nettoyage. Réinstallez l'appareil en suivant l'ordre inverse tout en vous assurant de mettre le four à niveau et de vérifier si les raccords d'alimentation en gaz présentent des fuites. Assurez-vous de lire et de suivre l'étape 1 pour bien installer le dispositif anti-renversement.

14. Emplacement du numéro de modèle et du numéro de série

La plaque signalétique est située sur le côté inférieur droit de l'intérieur du four (voir Fig. 18).

Lorsque vous commandez des pièces ou que vous désirez obtenir des renseignements à propos de votre cuisinière, assurez-vous de toujours inclure le numéro de série et le numéro de modèle ainsi que la lettre ou le numéro de lot, inscrits sur la plaque signalétique de votre cuisinière. La plaque signalétique donne également de l'information sur la capacité des brûleurs, le type de gaz à utiliser et la pression à laquelle la cuisinière a été ajustée à la sortie de l'usine.

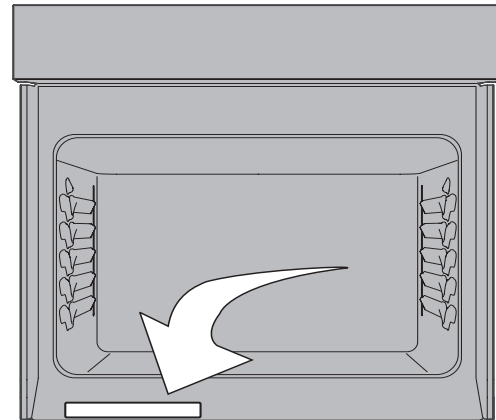


Fig. 19

Avant de faire appel au service après-vente

Lisez la section « Avant de faire appel au service après-vente » et les instructions d'utilisation qui se trouvent dans le [Guide d'utilisation et d'entretien](#). Cela pourrait vous faire économiser temps et argent. Cette liste décrit des situations courantes qui ne sont causées ni par un défaut de fabrication ni par un matériau défectueux.

Consultez la page de garantie de votre [Guide d'utilisation et d'entretien](#) pour connaître notre numéro sans frais et notre adresse. Veuillez nous appeler ou nous écrire si vous avez des questions à propos de votre cuisinière et/ou si vous désirez commander des pièces.

INSTRUCCIONES DE INSTALACIÓN

ESTUFA INDEPENDIENTE DE GAS 30"

LA INSTALACIÓN Y EL SERVICIO (DE MANTENIMIENTO/REPARACIÓN) DEBEN SER REALIZADOS POR UN INSTALADOR CALIFICADO.

IMPORTANTE: CONSERVE ESTAS INSTRUCCIONES PARA USO DEL INSPECTOR LOCAL DE ELECTRICIDAD. LEA Y CONSERVE ESTAS INSTRUCCIONES PARA REFERENCIA FUTURA.



⚠️ ADVERTENCIA PARA SU SEGURIDAD: No almacene ni utilice gasolina ni otros líquidos o vapores inflamables cerca de éste ni de ningún otro electrodoméstico.



INSTRUCCIONES DE SEGURIDAD IMPORTANTES

⚠️ ADVERTENCIA Si no se sigue al pie de la letra la información de esta guía, se puede producir un incendio o una explosión, lo cual causaría daños a la propiedad, lesiones personales o la muerte.

PARA SU SEGURIDAD:

- No almacene ni utilice gasolina ni otros líquidos o vapores inflamables cerca de éste ni de ningún otro electrodoméstico.
- **QUÉ HACER SI SIENTE OLOR A GAS:**
 - No intente encender ningún electrodoméstico.
 - No toque ningún interruptor eléctrico; no utilice ningún teléfono de su edificio.
 - Llame inmediatamente a su proveedor de gas desde el teléfono de un vecino. Siga las instrucciones del proveedor de gas.
 - Si no puede ponerse en contacto con el proveedor de gas, llame a los bomberos.
- La instalación y el servicio deben ser llevados a cabo por un instalador calificado, agencia de servicios o proveedor de gas.

⚠️ ADVERTENCIA Nunca opere la sección de cocción de la superficie superior de este electrodoméstico sin supervisión.

- El incumplimiento de esta declaración de advertencia podría provocar incendios, explosiones o quemaduras que podrían causar daños a la propiedad, lesiones personales o la muerte.
- Si ocurriera un incendio, manténgase alejado del aparato y llame inmediatamente a los bomberos.

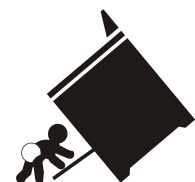
NO INTENTE EXTINGUIR UN FUEGO DE ACEITE O GRASA CON AGUA.

Notas importantes para el instalador

- Antes de instalar la estufa, lea todas las instrucciones de instalación.
- Antes de conectar el suministro de gas y electricidad a la estufa, retire todo el material de empaque de los compartimientos del horno.
- Asegúrese de que se cumplan todas las normas y los códigos relevantes.
- Asegúrese de dejar estas instrucciones en poder del usuario.

Notas importantes para el usuario

- Como cuando se usa cualquier aparato que genera calor, hay ciertas precauciones de seguridad que debe seguir. Estos se enumeran en la Guía de uso y cuidado, léalo detenidamente.
- Conserve estas instrucciones junto con la guía de uso y cuidado para cualquier referencia futura.
- Asegúrese de que su estufa sea instalada y conectada a tierra correctamente por un instalador calificado o un técnico del servicio.
- Asegúrese de que los revestimientos de paredes alrededor de la estufa puedan soportar el calor generado por la estufa.
- Para eliminar la necesidad de alcanzar los elementos de la superficie, se debe evitar el espacio de almacenamiento del gabinete sobre los elementos.

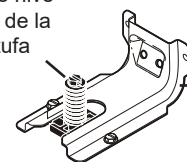


⚠️ ADVERTENCIA
Riesgo de volcamiento

- Un niño o adulto puede volcar la estufa y acabar muerto.
- Verifique que se haya instalado el dispositivo antivuelco en el piso o en la pared.
- Asegúrese de que el dispositivo antivuelco se haya reacomplado cuando mueva la estufa sobre el piso o a la pared.
- No utilice la estufa sin el dispositivo antivuelco instalado y acoplado.
- Si no se siguen estas instrucciones, se puede provocar la muerte o quemaduras graves en niños y adultos.



Tornillo nivelador de la estufa



Soporte antivuelco

Para verificar si el soporte antivuelco está instalado correctamente, sostenga el borde trasero de la parte trasera de la estufa usando ambos brazos. Intente inclinar la estufa hacia adelante con cuidado. Si está instalada correctamente, la estufa no debería inclinarse hacia adelante.

Consulte las **instrucciones de instalación** del soporte antivuelco proporcionadas con la estufa para instalarlo adecuadamente.

INSTRUCCIONES DE SEGURIDAD IMPORTANTES

Proporcione el tipo de combustible adecuado

Antes de continuar: Su rango está preestablecido de fábrica para funcionar con gas natural. Si se necesita la conversión de L.P., comuníquese con su proveedor local de Gas de L.P. para obtener ayuda.

El kit de conversión L.P. se puede ubicar en el panel posterior inferior de la gama. Si no se proporciona un kit L.P., comuníquese con su distribuidor de productos para obtener el kit de conversión L.P. correcto.

- La instalación de esta estufa debe realizarse de acuerdo con los códigos locales o, ante la ausencia de códigos locales, debe regirse por el Código de Gas Nacional (National Fuel Gas Code), ANSI Z223.1 (última edición) cuando se instale en los Estados Unidos.
- La instalación en casas rodantes debe realizarse según la Norma de Seguridad y Construcción de Casas Rodantes (Manufactured Home Construction and Safety Standard), Título 24CFR, Parte 3280 (conocida anteriormente como Norma Federal de Seguridad y Construcción de Casas Rodantes [Federal Standard for Mobile Home Construction and Safety], Título 24, HUD (Parte 280) o cuando dicha norma no aplique, según la Norma de Instalación para Casas Rodantes (Standard for Manufactured Home Installations), según la norma ANSI/NCSBCS A225.1, o según los códigos locales.
- Esta estufa ha sido diseñada y certificada por CSA International. Al igual que con todo artefacto que utiliza gas y que genera calor, existen ciertas precauciones de seguridad que debe seguir. Podrá consultarlas en la guía de uso y cuidado; léalas cuidadosamente.
- Asegúrese de que su estufa sea instalada y conectada a tierra correctamente por un instalador calificado o un técnico del servicio.
- Esta estufa debe tener una conexión a tierra según lo establecido en los códigos locales o, ante la ausencia de estos, de acuerdo con lo estipulado en el Código Nacional de Electricidad (National Electrical Code) ANSI/NFPA No .70 (última versión) cuando se instale en Estados

Unidos. Consulte las "Instrucciones de puesta a tierra" en la página 8.

- All materials used in construction of cabinets, enclosures, and supports surrounding the product must have a temperature rating above 200°F (94°C).
- Antes de instalar la estufa en un área cubierta con linóleo u otro tipo de cubierta sintética para pisos, asegúrese de que este material pueda resistir temperaturas de al menos 90 °F (32 °C) por encima de la temperatura ambiente, sin encogerse, deformarse ni decolorarse. No instale la estufa sobre alfombras a menos que coloque una almohadilla aislante o lámina de madera contrachapada de 1/4 pulgada (0,64 centímetros) entre el artefacto y la alfombra.
- Asegúrese de que el revestimiento de la pared resista el calor generado por la estufa.
- No obstruya el paso del aire de combustión en la ventilación del horno ni alrededor de la base o detrás del panel frontal inferior de la estufa. Evite el contacto con las salidas de ventilación o las superficies cercanas, ya que pueden calentarse cuando se utiliza el horno. Esta estufa requiere de aire fresco para la combustión adecuada de los quemadores.
- No se deben usar cortinas de aire o cualquier otra campana de ventilación superior que sople aire hacia abajo sobre la estufa a gas a menos que la campana de ventilación y la estufa hayan sido diseñadas, probadas y certificadas por un laboratorio de pruebas independiente para el uso combinado de la una con la otra.

⚠ ADVERTENCIA NO INTENTE UTILIZAR EL ENCENDIDO ELÉCTRICO DEL HORNO CUANDO HAYA UNA FALLA ELÉCTRICA. EN CASO DE FALLA ELÉCTRICA, RESTABLEZCA TODOS LOS CONTROLES DEL HORNO A LA POSICIÓN "APAGADO".

INSTRUCCIONES DE INSTALACIÓN - ESTUFA INDEPENDIENTE DE GAS 30"

Si el termostato de control quedó en la posición "ENCENDIDO", el encendedor eléctrico volverá a prender automáticamente el quemador del horno cuando se restablezca el suministro eléctrico.

Cuando se produzca una falla eléctrica mientras se usa la estufa, los quemadores superiores no dejarán de funcionar.

Durante una interrupción de energía eléctrica, los quemadores superiores pueden encenderse con un fósforo. Acerque el fósforo encendido al quemador y gire lentamente la perilla hasta la posición LITE (encender). Cuando encienda los quemadores de esta manera, sea extremadamente cuidadoso.

⚠ ADVERTENCIA Nunca deje a los niños solos o desatendidos en el área donde se esté utilizando la estufa. Enséñele a los niños el uso correcto y seguro de todos los electrodomésticos. No deje nunca la puerta del horno abierta cuando la estufa esté sin vigilancia.

⚠ ADVERTENCIA Si se para, se apoya o se sienta en las puertas o cajones de esta estufa, puede sufrir lesiones corporales graves y puede también dañar al artefacto.

- No almacene artículos de interés para los niños en los armarios que están por encima de la estufa. Los niños que se suban a la estufa para alcanzar dichos artículos pueden sufrir quemaduras graves.
- Para eliminar la necesidad de buscar objetos por encima de los quemadores, debe evitar colocar gabinetes de guardado en este lugar.
- Ajuste el tamaño de la llama para que no se extienda más allá del borde del utensilio de cocina. El tamaño excesivo de la llama es peligroso.
- No utilice el horno como un espacio de guardado. Esto genera una situación de peligro potencial.
- Nunca utilice la estufa para calentarse ni calentar

una habitación. El uso prolongado de este artefacto sin la ventilación adecuada puede resultar muy peligroso.

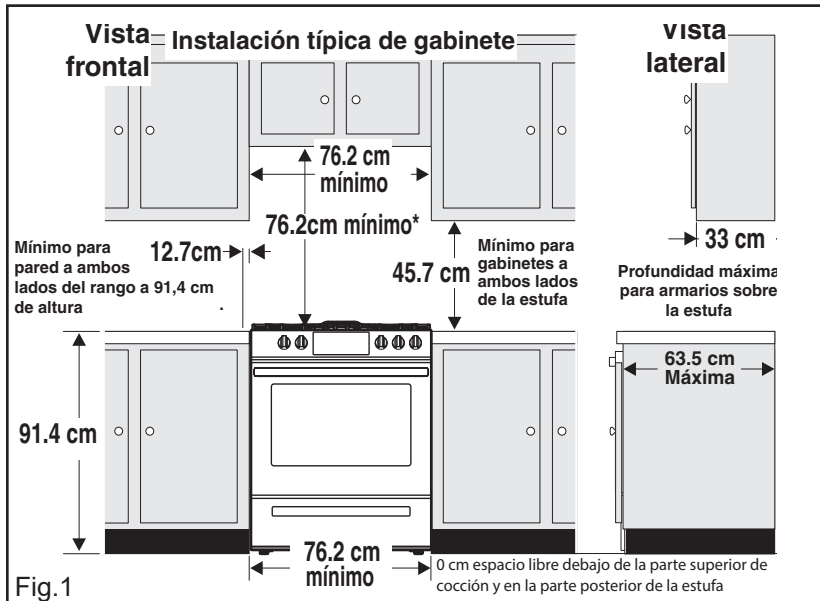
- No almacene ni use gasolina ni otros líquidos o vapores inflamables en la proximidad de este o de cualquier otro electrodoméstico. Puede provocar explosiones o incendios.
- Restablezca todos los controles a la posición "APAGADA" después de usar una función de tiempo programable.
- A diferencia de algunas estufas a gas, la cubierta no puede ser removida. No intente retirar la superficie de cocción.

Instrucciones especiales para los electrodomésticos instalados en el estado de Massachusetts: Este electrodoméstico solamente puede ser instalado en el estado de Massachusetts por un plomero o instalador de sistemas de gas con licencia de este estado. Cuando utilice un conector flexible de gas, no debe medir más de 3 pies (36 pulgadas; 92 centímetros) de longitud. En la línea de entrada de gas que va hacia el artefacto, se debe instalar una válvula manual de gas de tipo manija en forma de "T".

INSTRUCCIONES DE INSTALACIÓN - ESTUFA INDEPENDIENTE DE GAS 30"

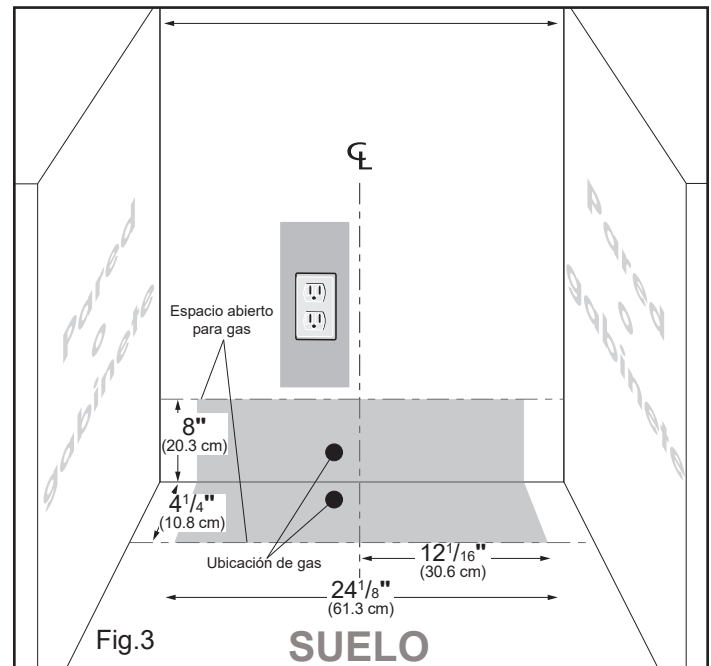
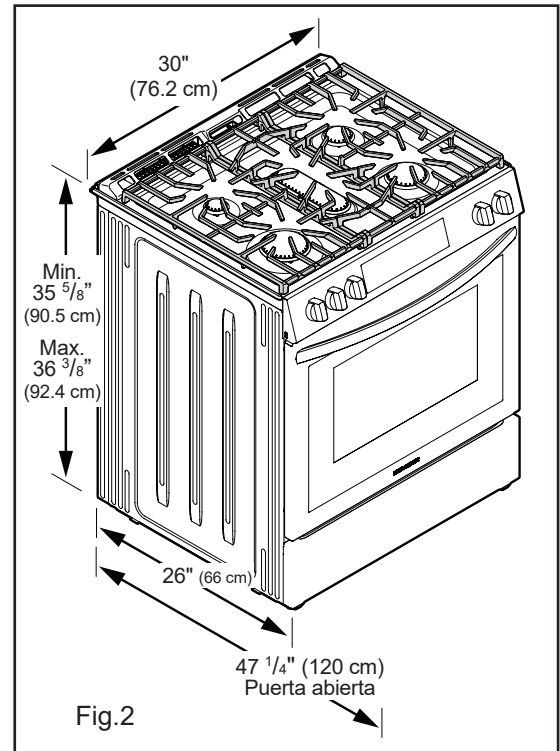
1. Espacios libres y dimensiones

- Asegúrese de dejar todos los espacios libres adecuados entre la estufa y las superficies combustibles adyacentes.
- Ubicación: verifique el lugar donde se instalará la estufa. Controle que el suministro de gas y el suministro de electricidad, además de la estabilidad del piso, sean los correctos.
- Se deben usar las dimensiones que se muestran. Las medidas que se proporcionan indican un despeje mínimo. La superficie de contacto debe ser sólida y estar a nivel.



*ESPACIO LIBRE MÍNIMO DE 30" (762 mm) ENTRE LA PARTE SUPERIOR DE LA SUPERFICIE DE COCCIÓN Y LA PARTE INFERIOR DE UN GABINETE DE MADERA O DE METAL SIN PROTECCIÓN; O UN ESPACIO LIBRE MÍNIMO DE 24" (610 mm) CUANDO LA PARTE INFERIOR DE UN GABINETE DE MADERA O DE METAL ESTÉ PROTEGIDO CON UNA PLACA IGNÍFUGA DE NO MENOS DE 1/4" (6 mm) CUBIERTA CON UNA LÁMINA DE ACERO CON UN ESPESOR DE 28 MSG, UNA PLACA DE ACERO INOXIDABLE DE 0.015" (0.4 mm), UNA PLACA DE ALUMINIO DE 0.024" (0.6 mm) O UNA PLACA DE COBRE DE 0.020" (0.5 mm). EL ESPACIO LIBRE MÍNIMO PARA LA PARTE TRASERA DEL LA ESTUFA ES DE 0" (0 mm). SIGA TODOS LOS REQUERIMIENTOS DE DIMENSIÓN MENCIONADOS ARRIBA PARA EVITAR DAÑOS A LA PROPIEDAD, POSIBLES PELIGROS DE INCENDIO, Y CORTES INCORRECTOS EN LA ENCIMERA Y EL GABINETE.

PARA ELIMINAR EL RIESGO DE QUEMADURAS O INCENDIOS CAUSADOS POR ALCANZAR OBJETOS SOBRE LOS ELEMENTOS SUPERIORES CALIENTES, DEBE EVITAR COLOCAR GABINETES DE GUARDADO EN ESTE LUGAR. SI SE VA A PROPORCIONAR GABINETES DE GUARDADO, SE PUEDE REDUCIR EL RIESGO INSTALANDO UNA CAMPANA DE VENTILACIÓN COLOCADA HORIZONTALMENTE A UN MÍNIMO DE 5" (127 mm) A PARTIR DE LA PARTE INFERIOR DEL GABINETE.



⚠ WARNING NO INTENTE UTILIZAR EL ENCENDIDO ELÉCTRICO DEL HORNO CUANDO HAYA UNA FALLA ELÉCTRICA. EN CASO DE FALLA ELÉCTRICA, RESTABLEZCA TODOS LOS CONTROLES DEL HORNO A LA POSICIÓN "OFF" (APAGADO). Si el termostato

INSTRUCCIONES DE INSTALACIÓN - ESTUFA INDEPENDIENTE DE GAS 30"

de control quedó en la posición "ON" (encendido), el encendedor eléctrico volverá a prender automáticamente el quemador del horno cuando se restablezca el suministro eléctrico.

Cuando se produzca una falla eléctrica mientras se usa la estufa, los quemadores superiores no dejarán de funcionar.

Durante una interrupción de energía eléctrica, los quemadores superiores pueden encenderse con un fósforo. Acerque el fósforo encendido al quemador y gire lentamente la perilla hasta la posición "LITE" (encender). Cuando encienda los quemadores de esta manera, sea extremadamente cuidadoso.

2. Herramientas necesarias

(Utilice lentes de seguridad cuando use las herramientas):

Para nivelar las patas e instalar el soporte antivuelco

- Llave regulable o pinzas Channel-Lock (Fig. a)
- Destornillador para tuercas de 5/16" o destornillador plano (Fig. b)
- Taladro eléctrico y broca de 1/8" de diámetro (si se instala en estructuras de concreto, una broca para mampostería de 3/16") (Fig. c)
- Nivel (Fig. d)

Para la conexión del suministro de gas

- Llave ajustable y llave inglesa (Figuras a y e)

Para el ajuste de la llama del quemador

- Destornillador Phillips y destornillador plano **pequeño** (Figuras f y g)

Materiales necesarios:

- Sellador de unión de tuberías que sea resistente a la acción del gas LP/propano (Fig. h)
- Válvula de cierre manual del suministro de gas (Fig. i)
- Se debe diseñar un conducto flexible nuevo metálico para el artefacto (1/2" NPT x 3/4" o 1/2" de diámetro interno) que debe estar certificado por CSA International. Debido a que las tuberías rígidas no permiten el movimiento de la estufa, recomendamos el uso de un conducto flexible nuevo (de 4 a 5 pies de largo [de 1,20 a 1,50 m]) para cada instalación nueva o para reinstalaciones adicionales. (Fig. j)
- Utilice adaptadores de conexión doble nuevos (1/2" NPT x 3/4" o 1/2" de diámetro interno) (Fig. k)

Materiales proporcionados con el electrodoméstico:

- Plantilla del soporte antivuelco (Fig. l)
- Soporte antivuelco; incluye 2 tornillos de fijación (Fig. m)

Herramientas



Fig. a

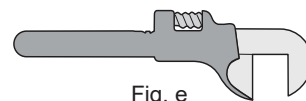


Fig. e



Fig. b



Fig. f

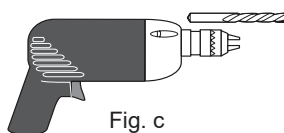


Fig. c

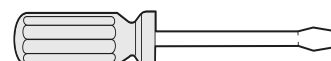


Fig. g

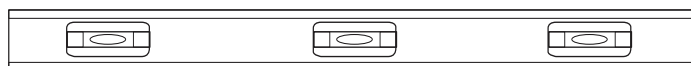


Fig. d

Materiales



Fig. h

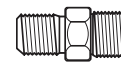


Fig. k

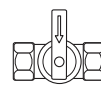


Fig. i

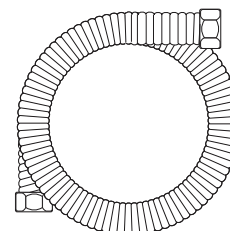


Fig. j

Materiales proporcionados con el electrodoméstico

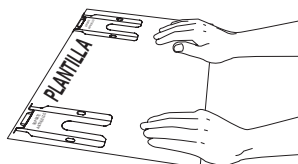


Fig. l

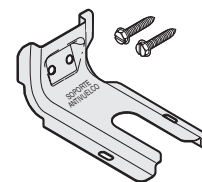


Fig. m

3. Instalación del soporte antivuelco

¡ADVERTENCIA IMPORTANTE DE SEGURIDAD!

Para minimizar el riesgo de vuelco, la estufa debe fijarse al piso con los tornillos y el soporte antivuelco debidamente instalados que se proporcionan con la estufa. Si no se instala el soporte, la estufa volcará si se coloca exceso de peso en la puerta abierta del horno o si un niño se sube en ella. Esto puede provocar lesiones graves a causa de derrames de líquidos calientes o del calor de la estufa misma.

Si alguna vez se traslada la estufa a un lugar diferente, el soporte antivuelco también debe trasladarse e instalarse con el electrodoméstico.

Se proporcionan instrucciones para la instalación en madera o cemento con fijación al piso o a la pared. Cuando se instale en la pared, asegúrese de que los tornillos ingresen completamente en los muros de tabiquería seca y se hayan fijado en madera o metal. Cuando se fije al piso o a la pared, asegúrese de que los tornillos no penetren en una instalación eléctrica ni tubería.

Instrucciones de instalación del soporte antivuelco

a. **Ubicación del soporte con la plantilla** (El soporte puede estar ubicado en el lado derecho o izquierdo de la estufa. Consulte las Figuras 4, 5, y 7 para ubicar el soporte si la plantilla no está disponible).

Haga una marca en el piso o en la pared donde se colocará el lado derecho o izquierdo de la estufa. Si la parte trasera de la estufa está contra la pared o a una distancia que no supera las 1 13/16" (4,56 cm), puede usar el método de instalación en piso o pared. Si una moldura no permite la instalación del soporte al ras de la pared, retire la moldura o instale el soporte en el piso.

Para la instalación en la pared (Fig. 4), ubique el soporte colocando el borde trasero de la plantilla contra la pared posterior y el borde lateral de la plantilla en la marca que hizo como referencia del lado de la estufa. Coloque el soporte sobre la plantilla y marque la ubicación de los orificios de los tornillos en la pared. Si cuando se instala, la parte trasera de la estufa está a más de 1 13/16" (4,56 cm) de la pared, adhiera el soporte al piso (vea la Fig. 5).

ASEGURE EL SOPORTE (montaje en la pared o en el piso)

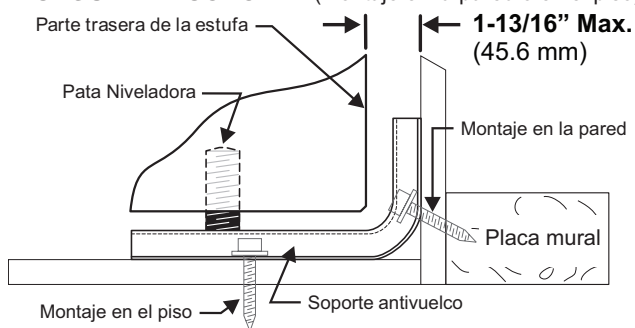


Fig. 4

ASEGURE EL SOPORTE (montaje en el piso solamente)

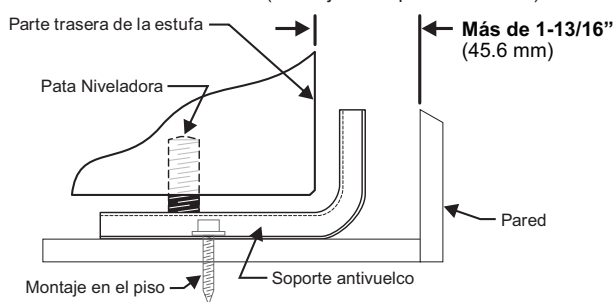


Fig. 5

Para la instalación en el piso, ubique el soporte y coloque el borde posterior de la plantilla en donde se ubicará la parte trasera de la estufa. Marque la ubicación de los orificios de los tornillos que se muestra en la plantilla.

b. **Taladre los agujeros y fije el soporte** - Taladre un agujero piloto de 1/8" donde se instalarán los tornillos (Fig. 6). Si el soporte se instala en la pared, realice un orificio de guía en un ángulo aproximado de 20° hacia abajo.

Si el soporte se instala en piso de mampostería o cerámica, debe realizar un orificio guía con el taladro de 3/16" y 1-3/4" (4,45 cm) de profundidad. Los tornillos que se suministran pueden usarse en madera o concreto. Para fijar el soporte, utilice un destornillador de tuercas de 5/16" o un destornillador para tornillos de cabeza plana.

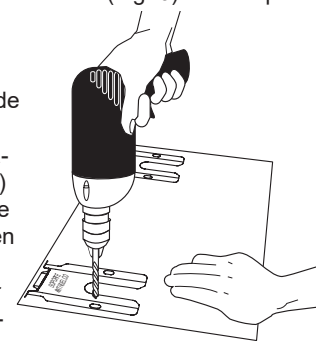


Fig. 6

c. **Nivele la estufa y colóquela en su lugar.** Nivele la estufa mediante el ajuste de las cuatro (4) patas de nivelación con una llave.

Nota: Se requiere un despeje mínimo de 1/8" (3,175 mm) entre la base de la estufa y las patas niveladoras para dejar suficiente espacio para el soporte.

Deslice la estufa hacia atrás hasta llegar a su posición (Fig. 7). Retire el panel inferior o el cajón de almacenamiento para verificar visualmente que la pata niveladora trasera ha quedado introducida y firmemente sujeta por el soporte. En el caso de los modelos equipados con un cajón calentador o compartimento asador, sostenga el borde superior trasero de la estufa e intente con cuidado inclinarla hacia adelante.

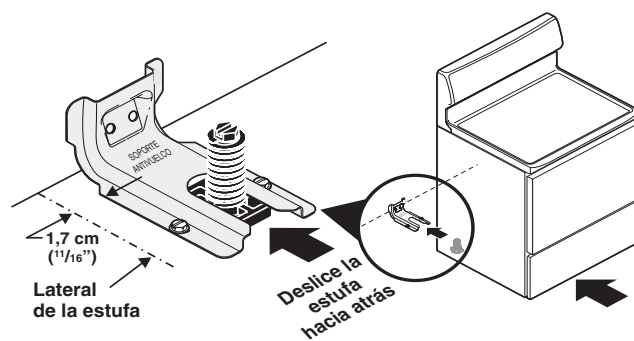


Fig. 7

4. Proporcione un suministro adecuado de gas.

Tenga en cuenta lo siguiente: Para el uso de la estufa en altitudes superiores a los 2.000 pies (610 m), el régimen nominal del electrodoméstico se deberá reducir en un 4% por cada 1.000 pies (305 m) por encima del nivel del mar.

Este electrodoméstico está ajustado para funcionar con una presión de gas natural en el múltiple de 4". Hay un regulador de presión convertible conectado al múltiple y DEBE ser conectado en serie con la tubería de suministro de gas. Si el kit de conversión a gas LP/propano ha sido utilizado, siga las instrucciones proporcionadas con el kit para convertir el regulador de presión para usar gas LP/propano.

Durante la instalación de la estufa, debe tener cuidado de no obstruir el flujo de combustión ni de aire de la ventilación.

Para un correcto funcionamiento, la entrada máxima de presión al regulador no debe ser superior a las 14 pulgadas de presión de columna de agua. La presión de entrada al regulador debe ser al menos 1 pulgada mayor que la presión del múltiple del regulador.

Ejemplo: Si el regulador está configurado para una presión del múltiple de 4 pulgadas de gas natural, la presión de la entrada debe ser de al menos 5 pulgadas; si el regulador ha sido convertido a una presión del múltiple de 10 pulgadas de gas LP/propano, la presión de entrada debe ser de al menos 11 pulgadas.

Las pruebas de escapes del electrodoméstico se deberán llevar a cabo de acuerdo con las instrucciones provistas en el punto g) del apartado 4.

El diámetro interno de la línea de suministro de gas debe ser de 1/2" o 3/4".

5. Selle las aberturas de la pared.

Selle todas las aberturas en la pared detrás de la estufa y en el piso debajo de la estufa después de que se haya instalado la línea de suministro.

6. Conexión de la estufa al suministro de gas.

Nota: Para evitar pérdidas, coloque sellador para juntas de tubería en todas las roscas macho (exterior). No permita que el regulador de presión de gas abra la tubería cuando esté ajustando los conectores.

- Instale una válvula externa de cierre manual del suministro de gas en un lugar de fácil acceso fuera de la estufa. Asegúrese de saber cómo y dónde cerrar el suministro de gas de la estufa (vea la Fig. 8).
- Instale un adaptador de unión curva de 1/2" al regulador de gas usando **no más de 15 pies/libra** de par (torsión) (consulte la Fig. 8).

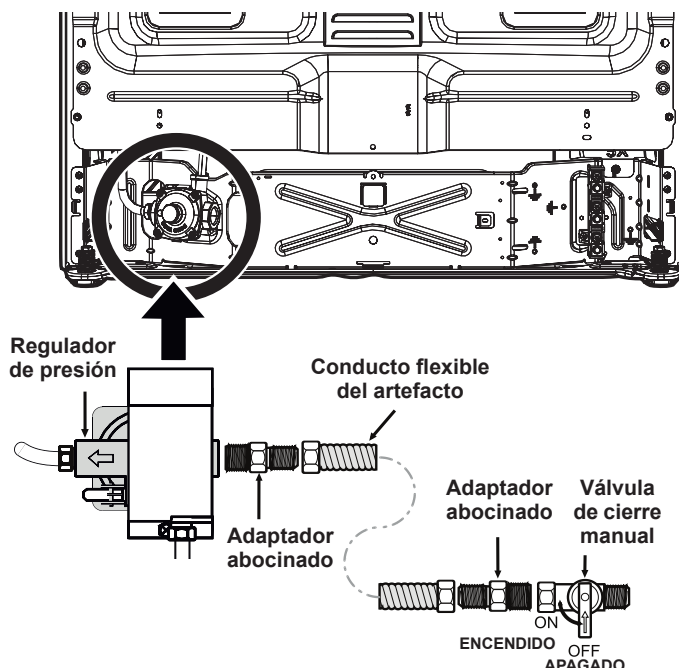


Fig. 8 - conexiones al suministro de gas

Asegúrese de **estabilizar** el lado izquierdo del regulador de presión de gas antes de apretar CUALQUIER accesorio fijado al regulador de presión. No permita que el regulador de presión abra la tubería cuando esté ajustando los conectores (consulte la Fig. 9).

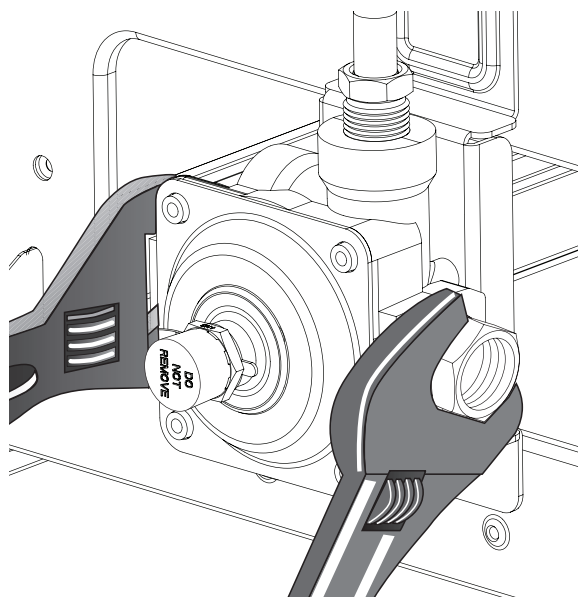


Fig. 9

INSTRUCCIONES DE INSTALACIÓN - ESTUFA INDEPENDIENTE DE GAS 30"

- c. Apriete el accesorio del suministro de gas y/o el conducto del electrodoméstico al adaptador de unión al lado derecho del regulador de presión (consulte la Fig. 10) usando **NO MÁS DE 15 pies/libra** de par (torsión). Asegúrese de **estabilizar** el adaptador de unión curva de 1/2" con la llave ajustable antes de apretar el accesorio y/o el conducto del electrodoméstico.

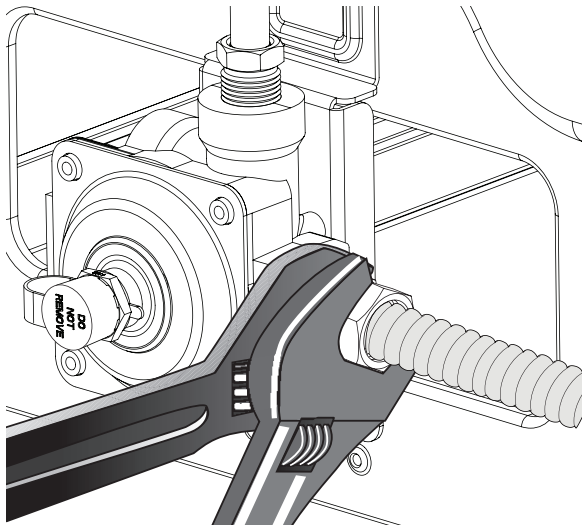
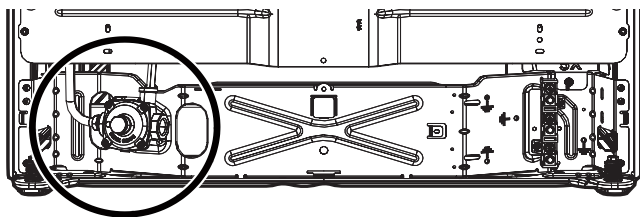


Fig. 10

- d. Instale un adaptador de unión acampanada a la válvula externa de cierre manual (vea la Fig. 8).
- e. Ajuste el conducto flexible del artefacto al adaptador de la unión acampanada en la válvula de cierre (vea la Fig. 8).
- f. Asegúrese de que la **válvula de cierre del suministro en el regulador de presión esté en la posición ABIERTA** (vea la Fig. 11).



Válvula de suministro (se muestra en la posición ABIERTA)

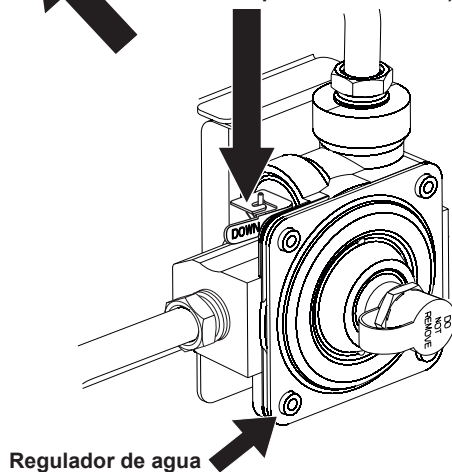


Fig. 11

- g. Verifique que no haya fugas de gas. Abra el suministro de gas de la estufa y use un detector de escape líquido en todas las uniones y conductos para verificar la presencia de pérdidas en el sistema.

Verificación de la presión de gas del múltiple

⚠ ADVERTENCIA No use una llama para verificar si hay fugas de gas.

Desconecte la estufa y la válvula de cierre individual del sistema de tuberías de suministro de gas durante cualquier prueba de presión del sistema si las presiones de prueba sobrepasan las 14" c.d.a. (aproximadamente 1/2" psig).

El electrodoméstico debe estar aislado del sistema de suministro de gas con la válvula de cierre individual cerrada durante cualquier prueba de presión del sistema de tuberías de suministro de gas si las presiones de prueba son iguales o menores de 14" c.d.a. (aproximadamente 1/2" psig.).

Si fuera necesario verificar la presión de gas del múltiple, conecte un manómetro (medidor de agua) o cualquier otro medidor de presión al quemador superior trasero derecho. Usando una manguera de goma con un diámetro interno de aproximadamente 1/4", sostenga la tubería firmemente sobre el orificio. Abra la válvula del quemador.

Para obtener una medición de presión precisa, encienda por lo menos dos (2) quemadores superiores más mientras hace la medición. Asegúrese de que la presión del suministro (entrada) de gas sea de por lo menos una pulgada más que la presión del múltiple especificada para la estufa. La presión del suministro de gas nunca debe ser mayor de 14" c.d.a. Cuando está correctamente adaptada para gas natural, la presión del múltiple debe ser de 4". Para gas LP/propano, la presión del múltiple debe ser de 10".

INSTRUCCIONES DE INSTALACIÓN - ESTUFA INDEPENDIENTE DE GAS 30"

7. Lea la siguiente información de conexión eléctrica antes de conectar el suministro eléctrico a la estufa.

⚠ ADVERTENCIA Antes de realizar el mantenimiento, desconecte el suministro eléctrico del disyuntor, el fusible o el cable de alimentación.

Requisitos eléctricos:

un circuito de bifurcación individual, correctamente conectado a tierra y polarizado, protegido por un fusible de acción retardada o disyuntor de 15 amp. **Consulte la placa de serie para verificar el voltaje adecuado.**

Precauciones para el cable de extensión:

Debido a los riesgos potenciales de seguridad en ciertas condiciones, recomendamos enfáticamente evitar el uso de todo cable de extensión. No obstante, si decide usarlo, es absolutamente necesario que sea de 3 filamentos aprobado por **UL para electrodomésticos con conexión a tierra** y que la corriente que transporta en amperios sea equivalente o mayor que la del circuito de bifurcación. Estos cables de extensión se consiguen en la organización del servicio local.

⚠ ADVERTENCIA ¡Lea cuidadosamente! Para su seguridad personal, este producto debe ser debidamente puesto a tierra.

Bajo ninguna circunstancia corte o retire la tercera clavija (puesta a tierra) del enchufe del cordón eléctrico (vea la Fig. 12).

Donde encuentre un tomacorriente normal de dos alvéolos, es obligación y responsabilidad personal del cliente reemplazarlo con un tomacorriente de tres alvéolos debidamente puesto a tierra.

Método sugerido

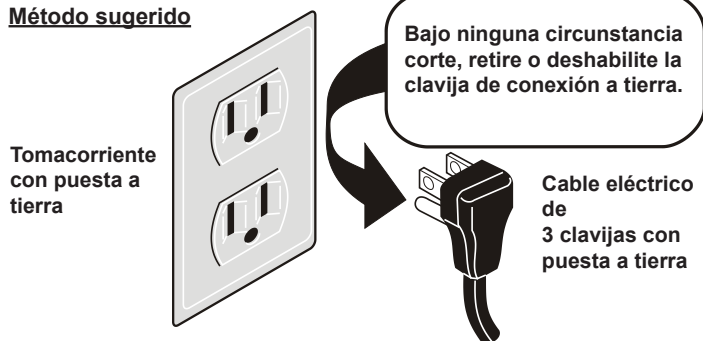


Fig. 12

Instrucciones de puesta a tierra:

El cable de alimentación de este producto está equipado con un enchufe (a tierra) de 3 clavijas que coincide con el receptáculo de pared con puesta a tierra de 3 clavijas para minimizar la posibilidad de choque eléctrico de este producto. El cliente debe hacer revisar el tomacorriente de pared y el circuito por un electricista calificado para asegurarse de que esté debidamente polarizado y puesto a tierra.

8. Verifique la colocación de la tapa del quemador.

Es **muy importante** asegurarse de que todas las tapas y rejillas de los quemadores superiores estén debidamente instaladas y en sus ubicaciones correctas **antes** de utilizar el electrodoméstico. Tenga en cuenta que las cabezas de los quemadores están fijadas a la cubierta. **La cubierta no se puede desinstalar.** No intente retirar o levantar la cubierta.

⚠ ADVERTENCIA Para evitar llamaradas y evitar la generación de vapores nocivos, **no** use la cubierta sin todas las tapas de los quemadores debidamente instaladas. Si están todas instaladas correctamente, asegurará el encendido adecuado y el tamaño correcto de las llamas.

Siempre mantenga las tapas y las cabezas de los quemadores en su lugar cuando los quemadores estén en uso. **No permita que se introduzcan en los agujeros de soporte del orificio de los quemadores a gas derrames, alimentos, agentes de limpieza o cualquier otro material,**

Asegúrese de que el tamaño de cada tapa de quemador concuerde con el tamaño de la cabeza del quemador. Asegúrese de que todas las tapas **redondas** de los quemadores estén colocadas correctamente en su lugar en las cabezas redondas de los quemadores.

Asegúrese de que todas las tapas **ovaladas** de los quemadores estén colocados correctamente en su lugar en las cabezas ovaladas de los quemadores (si vienen equipados). Asegúrese de que todas las tapas **dobles** de los quemadores estén colocados correctamente en su lugar en las cabezas dobles de los quemadores (si vienen equipados).

En los quemadores redondos, el reborde de la tapa del quemador (vea la Fig. 13) deben calzar de manera ajustada en el centro de la cabeza del quemador y quedar nivelada. Consulte las Figuras 14 y 15 para conocer las maneras correctas e incorrectas de colocar la tapa del quemador.

Una vez en su lugar, puede verificar si cabe deslizando suavemente la tapa del quemador de lado a lado (Fig. 16) para asegurarse de que esté centrada y firmemente asentada. Cuando el reborde de la tapa del quemador haga contacto en el centro de la cabeza del quemador, podrá escuchar el contacto entre la tapa y la cabeza del quemador. Tenga en cuenta que la tapa del quemador **NO** se debe mover del centro de la cabeza del quemador cuando intente moverla de lado a lado.

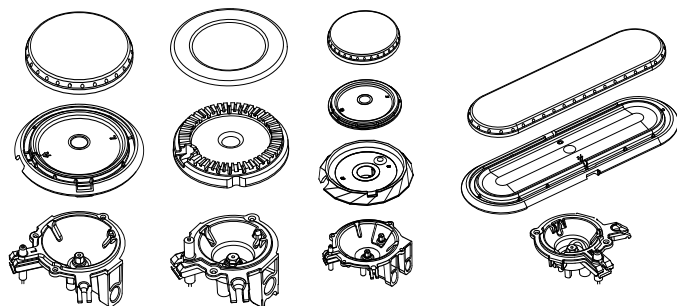
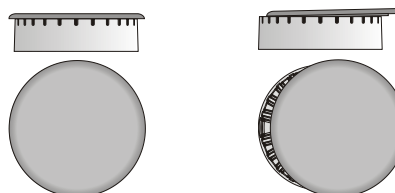


Fig. 13



Colocación correcta de la tapa del quemador Fig. 14

Colocación incorrecta de la tapa del quemador Fig. 15

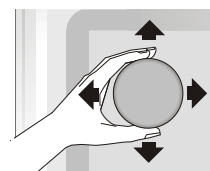


Fig. 16

9. Verifique el encendido de los quemadores superiores.

El funcionamiento de los encendedores eléctricos debe verificarse después de que se hayan controlado atentamente los conectores de la línea de suministro y de la estufa en busca de escapes, y de que la estufa haya sido conectada al suministro eléctrico.

- Para verificar el encendido adecuado, **presione y gire** la perilla de un quemador superior **a la izquierda** hasta la posición "LITE" (encender). Escuchará el encendedor emitiendo chispas.
- El quemador superior se encenderá cuando el gas llegue al quemador. Ceba el sistema de las tuberías de suministro dejando la perilla en la posición "LITE" (encendido) hasta que el quemador se encienda. Cada quemador debe encenderse a los cuatro (4) segundos de funcionamiento normal después de que el aire haya sido cebado de las tuberías de suministro.
- Verifique visualmente que el quemador se haya encendido. Una vez que el quemador se encienda, gire la perilla para retirarla de la posición "LITE" (encendido).
- Pruebe cada perilla por separado hasta que se hayan verificado todos los quemadores superiores. Cada ubicación de los quemadores viene equipada con un electrodo separado.

10. Programe el ajuste BAJO de las válvulas de los quemadores superiores (flujo en línea).

Pruebe el ajuste "LOW" (bajo) para comprobar si debe ser ajustado

- Oprima la perilla hacia adentro y gírela a la posición 'LITE' (encender) hasta que el quemador se encienda.
- Oprima la perilla hacia adentro y rápidamente gírela al ajuste mínimo.
- Si el quemador se apaga, gire la perilla a la posición 'OFF' (apagado).
- Retire la perilla del quemador superior.
- Introduzca un destornillador delgado en la varilla hueca de la válvula y ajústelo sobre el tornillo que se encuentra adentro. El tamaño de la llama se puede aumentar o reducir girando el tornillo. Gire el tornillo a la izquierda para aumentar el tamaño de la llama (vea las Fig. 17 y Fig. 19).
- Ajuste la llama hasta que pueda girar la perilla rápidamente desde la posición "LITE" (encender) hasta el ajuste mínimo sin que se apague la llama. La llama debe ser lo más pequeña posible sin que se apague.

Nota: el ajuste de la mezcla de aire no es necesario en los quemadores superiores.

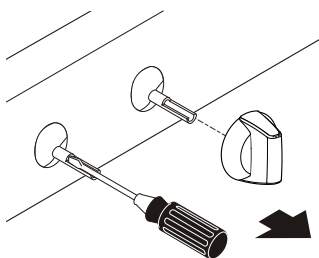


Fig. 17

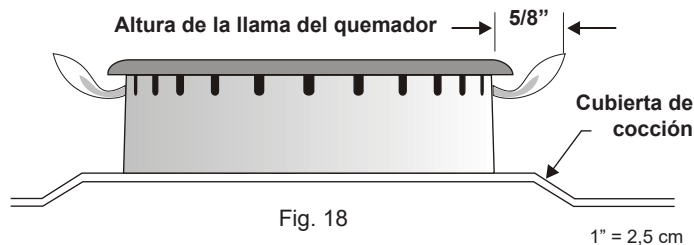


Fig. 18

1" = 2,5 cm

11. Verifique el encendido de los quemadores del horno.

El funcionamiento de los encendedores del horno debe verificarse después de que se hayan controlado atentamente los conectores de la línea de suministro y de la estufa en busca de escapes, y de que la estufa haya sido conectada al suministro eléctrico. Asegúrese de retirar todos los materiales de empaque y la documentación del interior del horno.

El quemador del horno está equipado con un sistema de control eléctrico así como de un encendedor eléctrico. Si el modelo viene equipado con un quemador superior para el horno, también incluirá un encendedor eléctrico. Estos sistemas de control no requieren de ajustes. Cuando el horno comience a funcionar, la corriente eléctrica llegará al encendedor. Brillará como si fuera una bombilla. Cuando el encendedor haya alcanzado la temperatura suficiente para prender el gas, la válvula del horno controlada eléctricamente se abrirá y aparecerá la llama en el quemador. Existe un lapso de tiempo de 30 a 60 segundos después de que el termostato se enciende y antes de que la llama aparezca en el quemador del horno. Cuando el horno alcance la temperatura programada, el dispositivo de encendido se apagará. La llama del quemador se apagará de 20 a 30 segundos después de que se apague el encendedor. Para mantener una temperatura programada en el horno, este ciclo continuará siempre y cuando el control del horno esté configurado para permanecer en funcionamiento.

Para verificar el encendido del quemador del horno:

- Programe el horno en "Bake" (hornear) a **300 °F**. Consulte manual del usuario para verificar las instrucciones de funcionamiento.
- El quemador del horno debería encenderse en el transcurso de 60 segundos. Verifique que la llama sea correcta y permita que el horno cumpla un ciclo una vez. **APAGUE** los controles.
- Si su modelo viene equipado con un asador a nivel de la cintura, ajuste el horno a la opción "Broil" (asado a la parrilla). Consulte el manual del usuario para obtener las instrucciones de funcionamiento.
- El quemador de asar debería encenderse en el curso de 60 segundos. Verifique que la llama sea adecuada. **APAGUE** los controles.

12. Asegúrate de que el rango esté nivelado.

Nivele el rango colocando un nivel horizontalmente en una rejilla del horno. Compruebe diagonalmente de adelante hacia atrás, luego nivele el rango ajustando las patas de nivelación o colocando cuñas debajo de las esquinas del rango según sea necesario.

Nota: Una vez completada la instalación, asegúrese de que todos los controles estén en la posición de apagado.

13. Cuidado, limpieza y mantenimiento

Consulte el manual del usuario para obtener instrucciones detalladas de limpieza. Si necesita retirar la estufa para realizar una limpieza o mantenimiento, cierre el suministro de gas. Desconecte el suministro de gas y electricidad. Si no puede acceder al suministro eléctrico o de gas, levante levemente la estufa en la parte frontal y aléjelo de la pared. Retírelo solamente lo necesario para desconectar el suministro de gas y electricidad. Termine de retirar la estufa para realizar el servicio técnico y la limpieza. Reinstale en sentido inverso, asegúrese de nivelar la estufa y verifique la presencia de escapes en las conexiones de gas. Asegúrese de leer y seguir el paso 1 para instalar adecuadamente el dispositivo antivuelco.

14. Ubicación de la placa de número de modelo y de serie

La placa de información está ubicada en la superficie derecha del marco delantero del horno. Para acceder a esta placa, abra el cajón de almacenamiento (algunos modelos), el cajón calentador (algunos modelos) o el cajón asador (algunos modelos) (vea la Fig. 21).

Para realizar pedidos de piezas o realizar consultas sobre la estufa, asegúrese de especificar siempre el modelo y los números de serie, así como la letra o el número de lote que figura en la placa del número de información de la estufa. La placa de información también le proporciona datos sobre los quemadores, el tipo de combustible y la presión en la que fue ajustada la estufa cuando salió de la fábrica.

Ubicación de la placa de número de modelo y de serie:

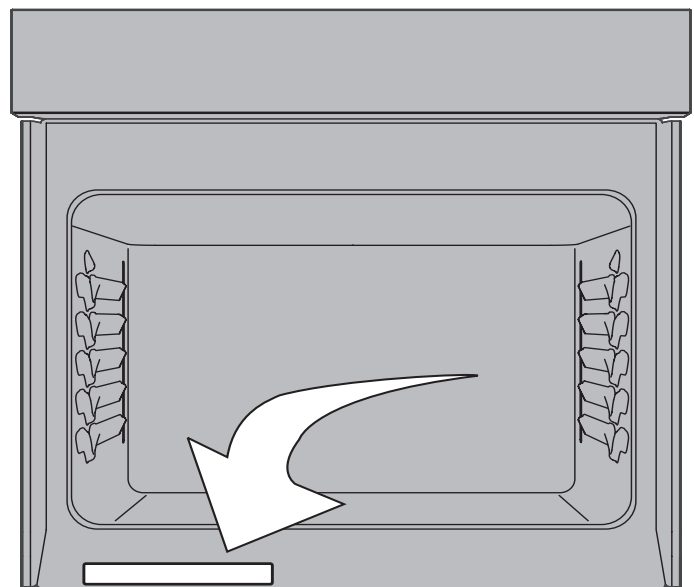


Fig. 19

Antes de solicitar servicio técnico

Lea la sección "Antes de solicitar servicio" y las secciones de instrucciones de funcionamiento en su [Guía de uso y cuidado](#). Puede ahorrarle tiempo y dinero. Esta lista incluye los incidentes más comunes que no son originados por mano de obra o materiales defectuosos de este electrodoméstico.

Consulte el texto de garantía incluido en la [Guía de uso y cuidado](#), donde se indica nuestro número telefónico gratuito de atención al cliente y nuestra dirección. Si tiene alguna pregunta sobre el producto o necesita realizar un pedido de piezas, puede llamarnos o escribirnos.

