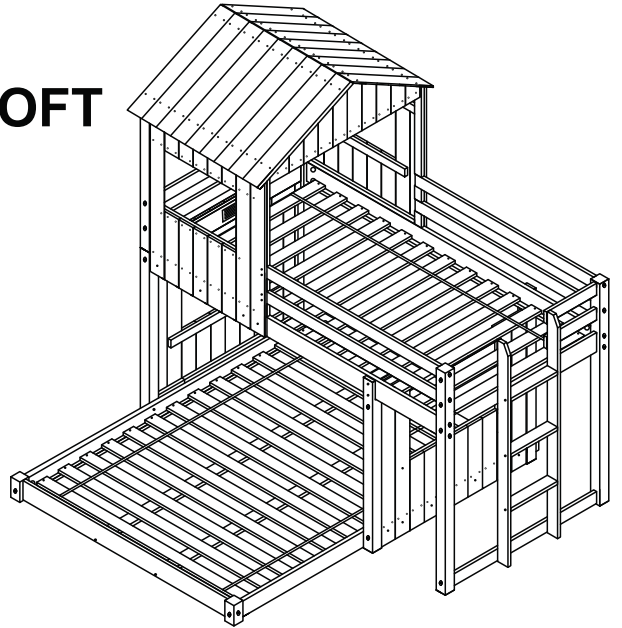


ASSEMBLY INSTRUCTIONS

3344TF - TWIN FULL BUNK LOFT

Thank you for purchasing this quality product. Be sure to check all packing materials carefully for small parts which may have come loose inside the carton during shipment. Separate, identify and count all parts and hardware. Compare with the parts list to be sure all parts are present.



**“DO NOT TIGHTEN SCREWS
UNTIL COMPLETELY ASSEMBLED”**

SIZE OF MATTRESS AND FOUNDATION (SUPPORT)

This bed is designed to use a twin mattress (37 ½”- 38 ½” x 74 - 75”) and bunkie board (37 ½ “ x 74”) low bed is designed to use a full mattress (53 ½”- 54 ½”- 54 ½” x 74”- 75”) and bunkie board 53 ½”-74”. The total thickness must not exceed **9”** inches.

Note: There must be at least 5” inches from top of mattress to top of guardrail.

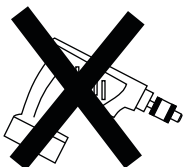
REPLACEMENT PARTS.

Replacement parts, including additional guard rails, may be obtained from place of purchase or original distribution.

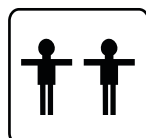
TO OBTAIN PARTS, PLEASE CONTACT: **DONCO TRADING COMPANY - FORT WORTH, TEXAS**

SAFETY WARNINGS!

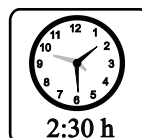
- 1- Follow the information on the warning label appearing on the upper bunk end structure and on the carton. Do not remove warning label from bed.
- 2- Always use the recommended size mattress or mattress support, or both, to help prevent the likelihood of entrapment or falls.
- 3- Surface of mattress must be at least 5 inches below the upper edge of guardrails.
- 4- Do not allow children under 6 years of age to use the upper bunk.
- 5- Prohibit more than one person on upper bunk.
- 6- Periodically check and ensure that the guardrail, ladder and other components are in their proper position, free from damage, and that all connectors are tight.
- 7- Do not allow horseplay on or under the bed and prohibit jumping on the bed.
- 8- Always use the ladder for entering and leaving the upper bunk.
- 9- Do not use substitute parts. Contact manufacturer or dealer for replacement parts.
- 10- Use of a night light may provide added safety precaution for a child using the upper bunk.
- 11- If the bunk bed will be placed next to a wall, the guardrail that runs the full length of the bed should be placed against the wall to prevent entrapment between the bed and the wall.
- 12- Always use guard rails on both long sides of the upper bunk.
- 13- The use of water or sleep flotation mattresses is prohibited.
- 14- Keep these instructions for future reference.
- 15- Strangulation Hazard - Never attach or hang items to any part of the bunk bed that are not designed for use with the bed: for example, but not limited to, hooks, belts, and jump ropes, etc.



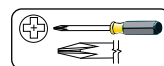
!
* Use of power tool to assemble this product will invalidate any claim and damage this product making unsafe !!!
* Please assemble on a clean soft surface to avoid damage.



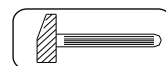
+



Tools Required



(Not included)



(Not included)

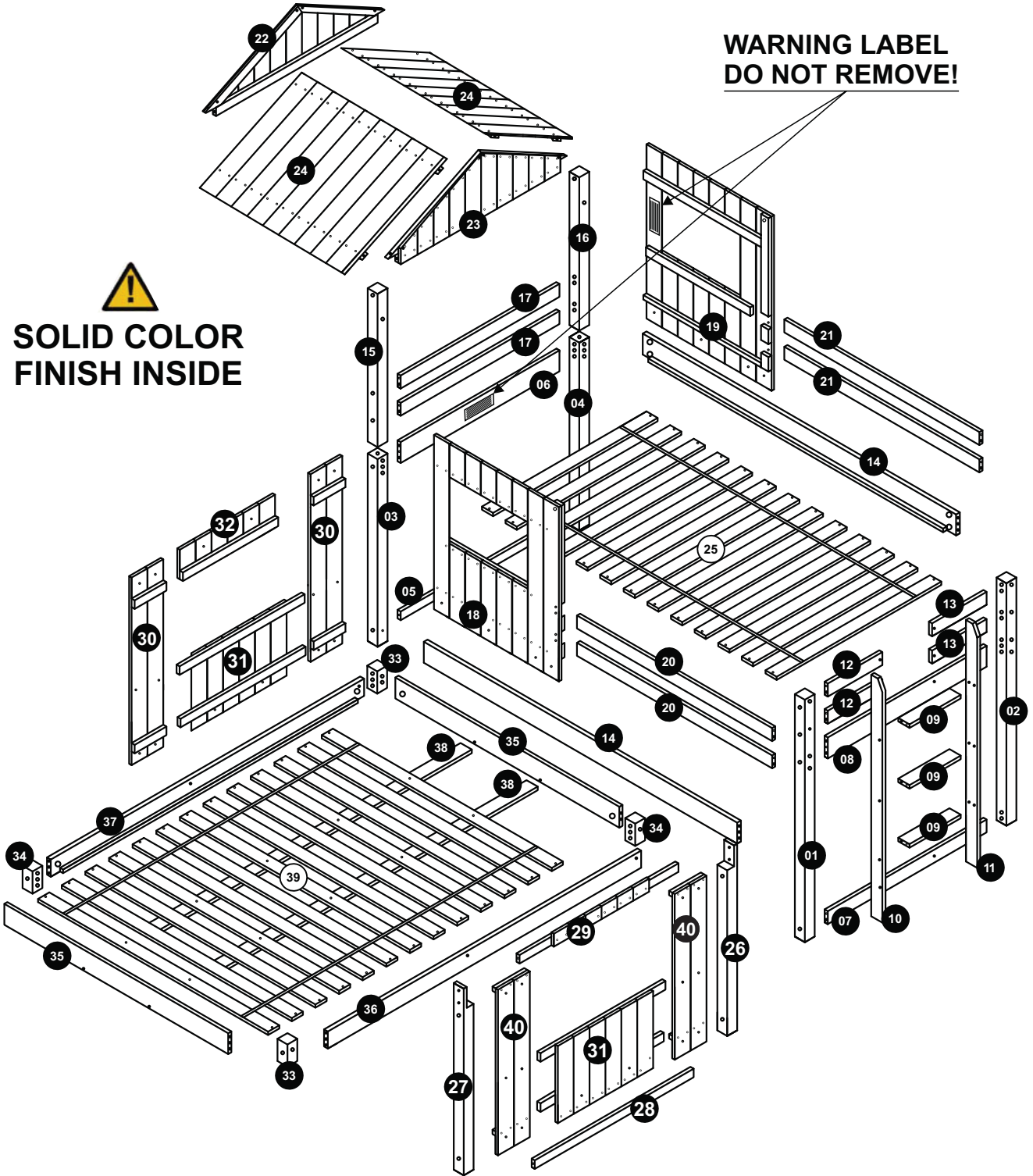


IMPORTANT: PLEASE READ INSTRUCTIONS BEFORE STARTING THE ASSEMBLY


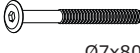
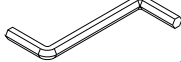

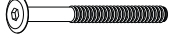

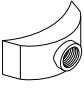


Part list: 3344TF - TWIN FULL BUNK LOFT

**WARNING LABEL
DO NOT REMOVE!**

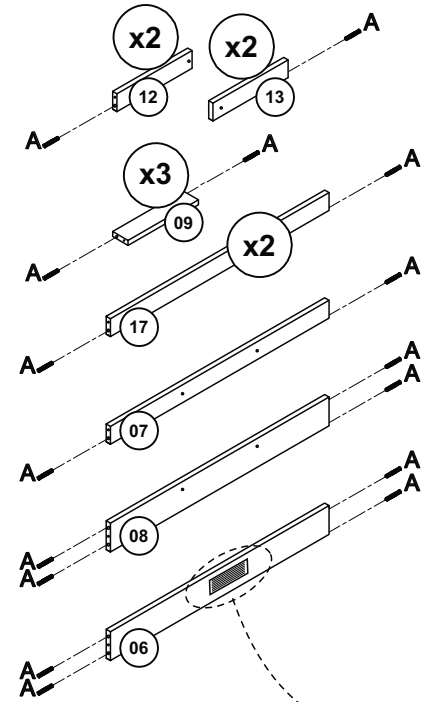
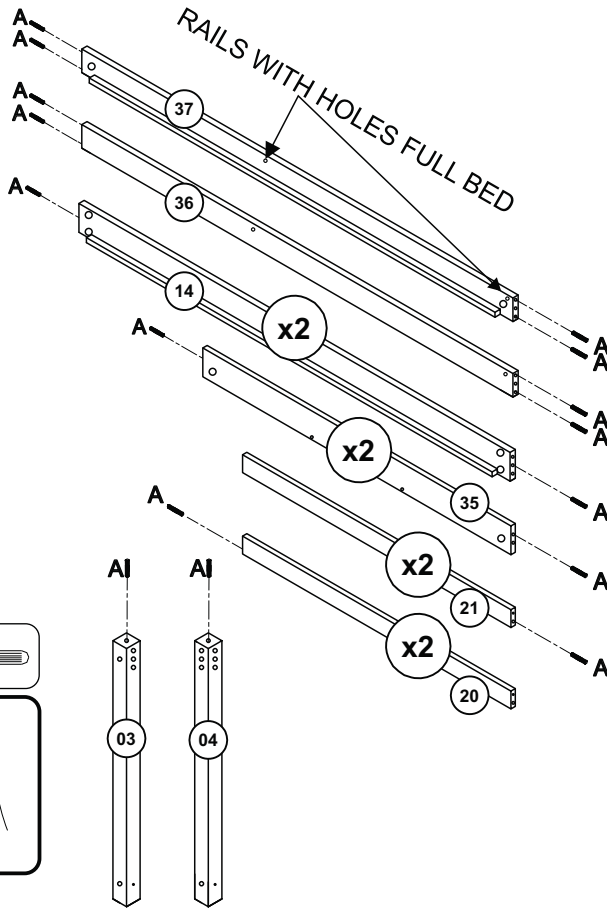
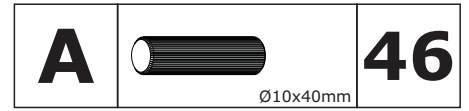

**SOLID COLOR
FINISH INSIDE**



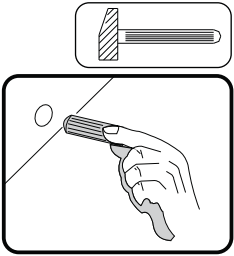
Identifying the Hardware-Identify the hardware using the illustrations below.

| | | | | | | | | |
|----------|--|-----------|----------|--|-----------|----------|--|-----------|
| A |  Ø10x40mm | 46 | D |  Ø7x80mm - 17 | 10 | G |  4mm | 02 |
| B |  Ø1/4"x110mm - Ø17 | 16 | E |  Ø7x100mm - 17 | 28 | H |  Ø7x60mm - 17 | 22 |
| C |  Ø1/4"x25mm | 16 | F |  Ø3,5x30mm | 60 | I |  Ø4,0x30mm BLACK | 48 |

01

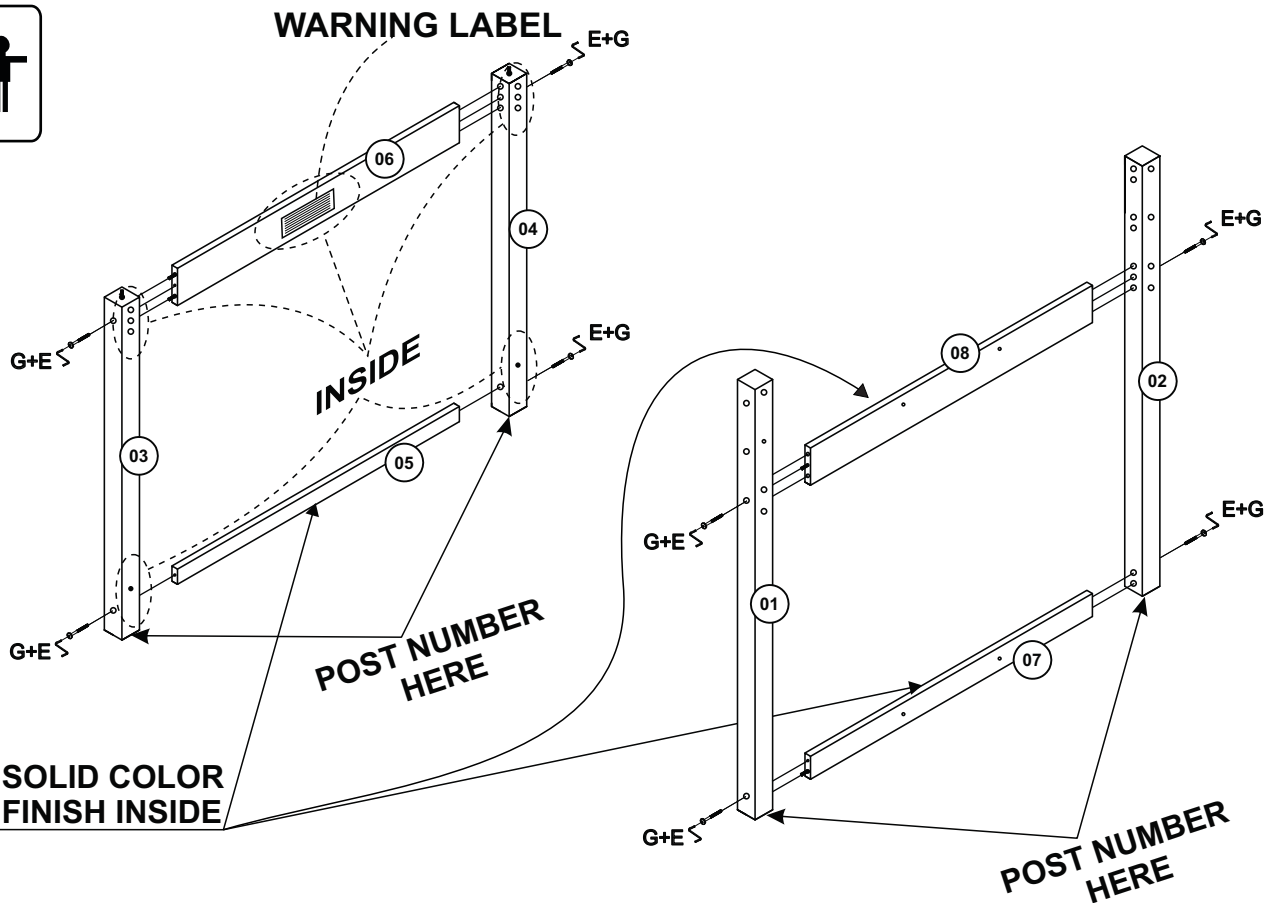


WARNING LABEL



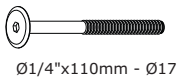
02

TWIN BED



03

B



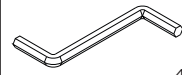
Ø1/4"x110mm - Ø17

08 C



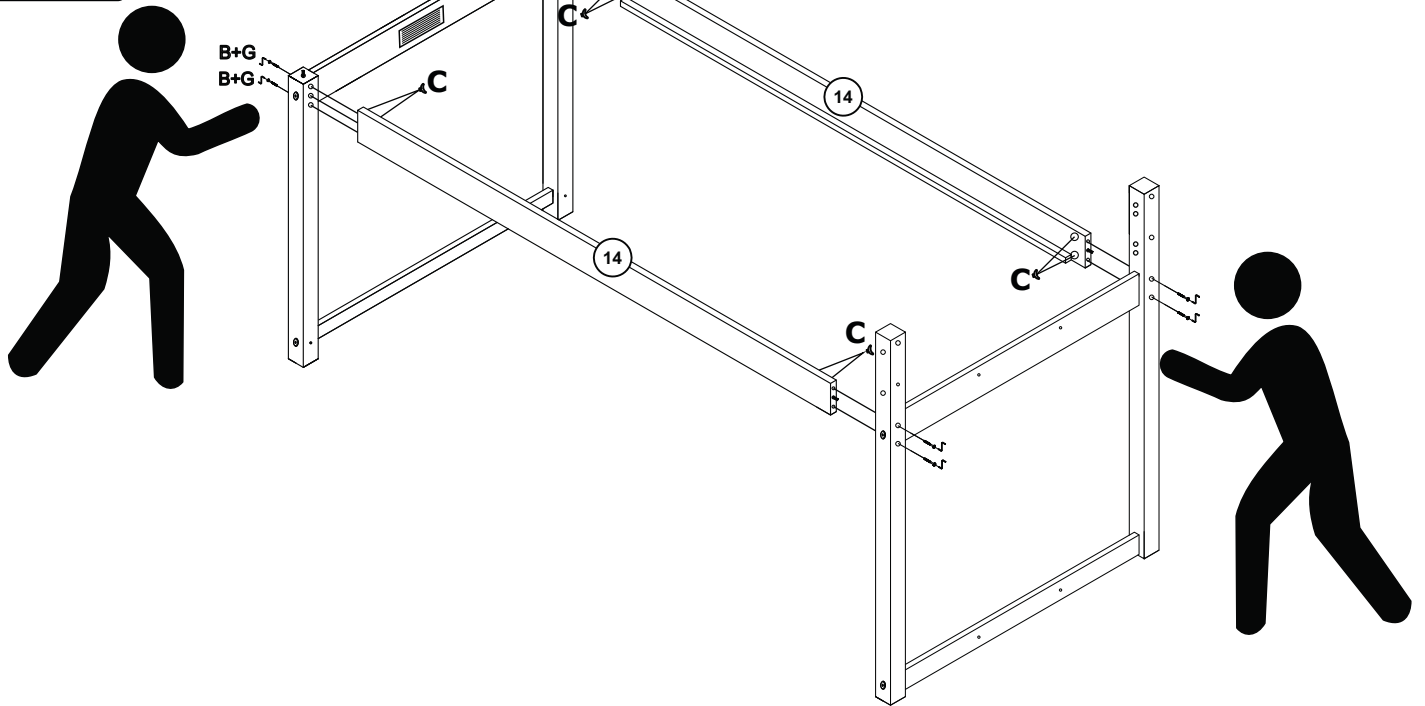
Ø1/4"x25mm

08 G



4mm

01



04

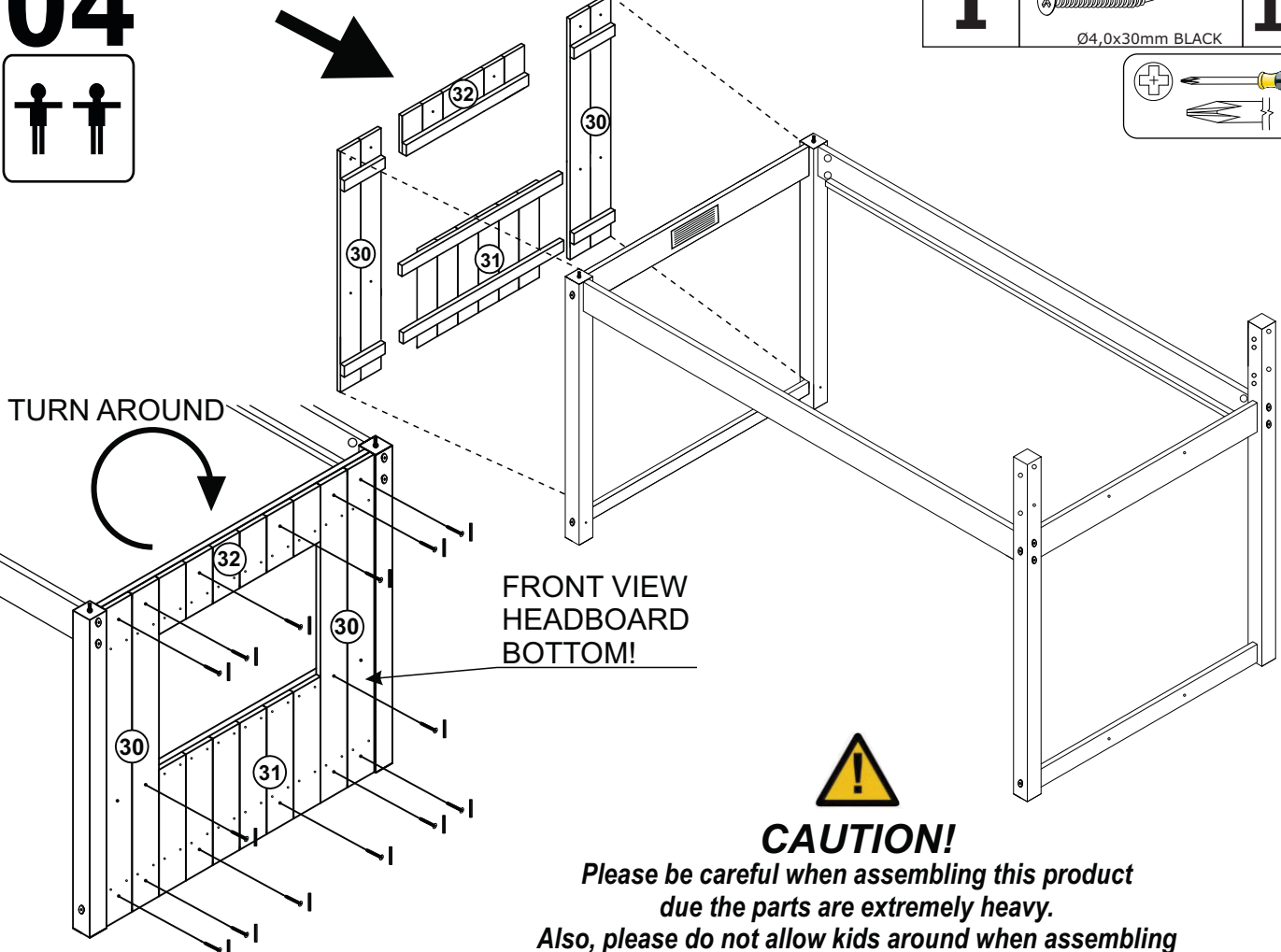
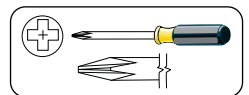


I



Ø4,0x30mm BLACK

14



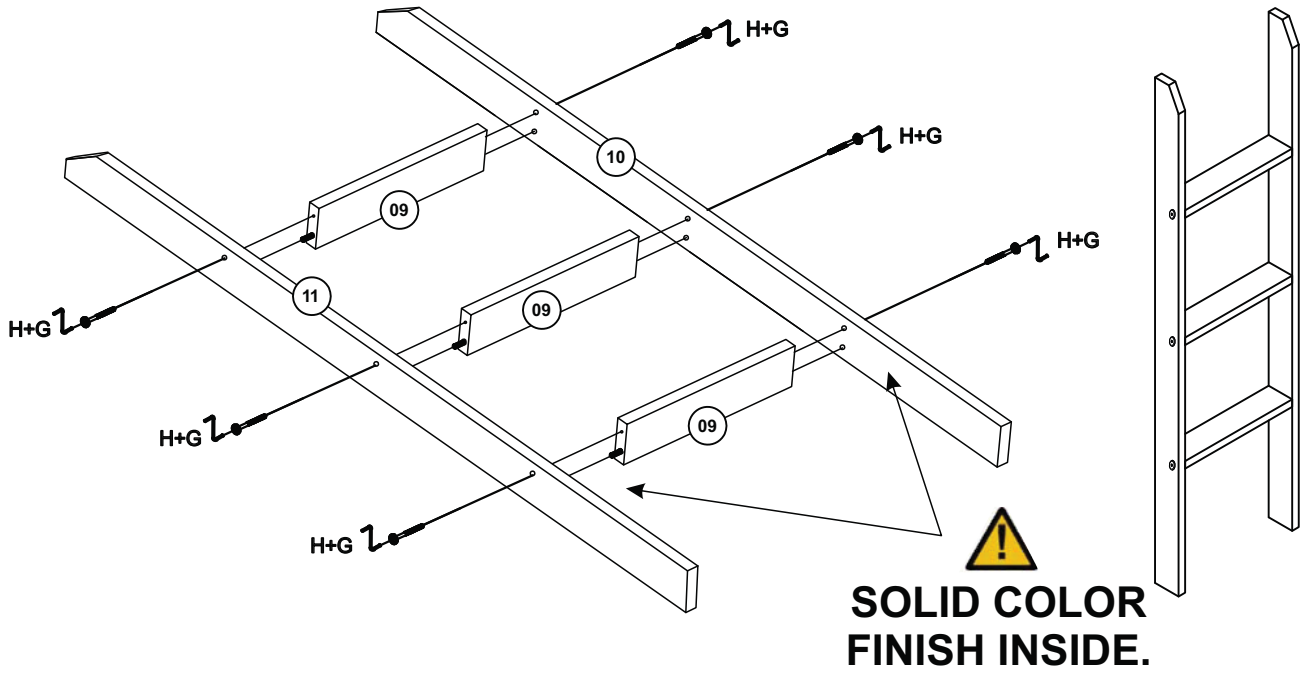
CAUTION!

Please be careful when assembling this product due the parts are extremely heavy.
Also, please do not allow kids around when assembling this bed to avoid injuries!

05

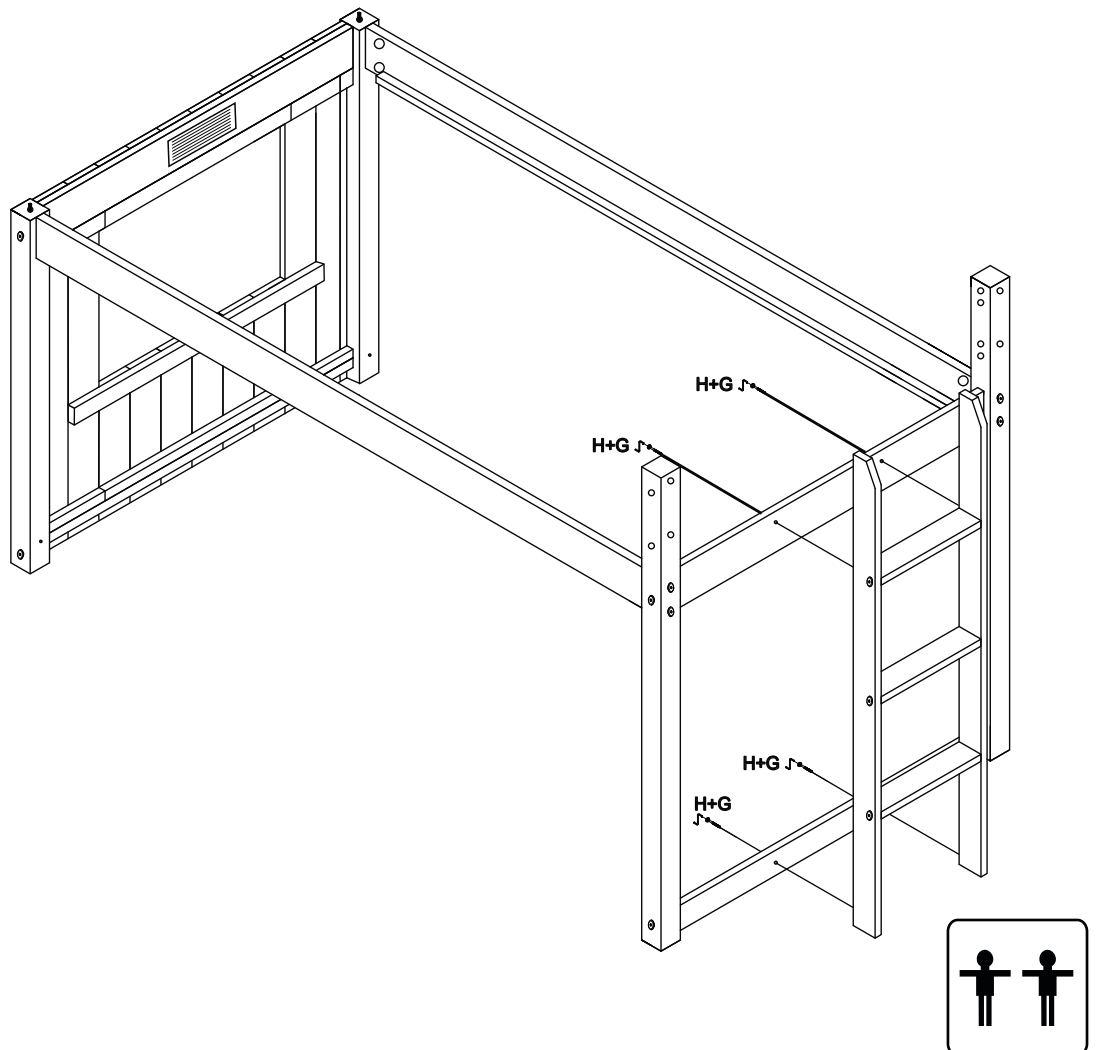
LADDER

| | | | | | |
|----------|--|-----------|----------|--|-----------|
| H |  Ø7x60mm - 17 | 06 | G |  4mm | 01 |
|----------|--|-----------|----------|--|-----------|


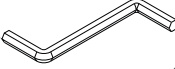



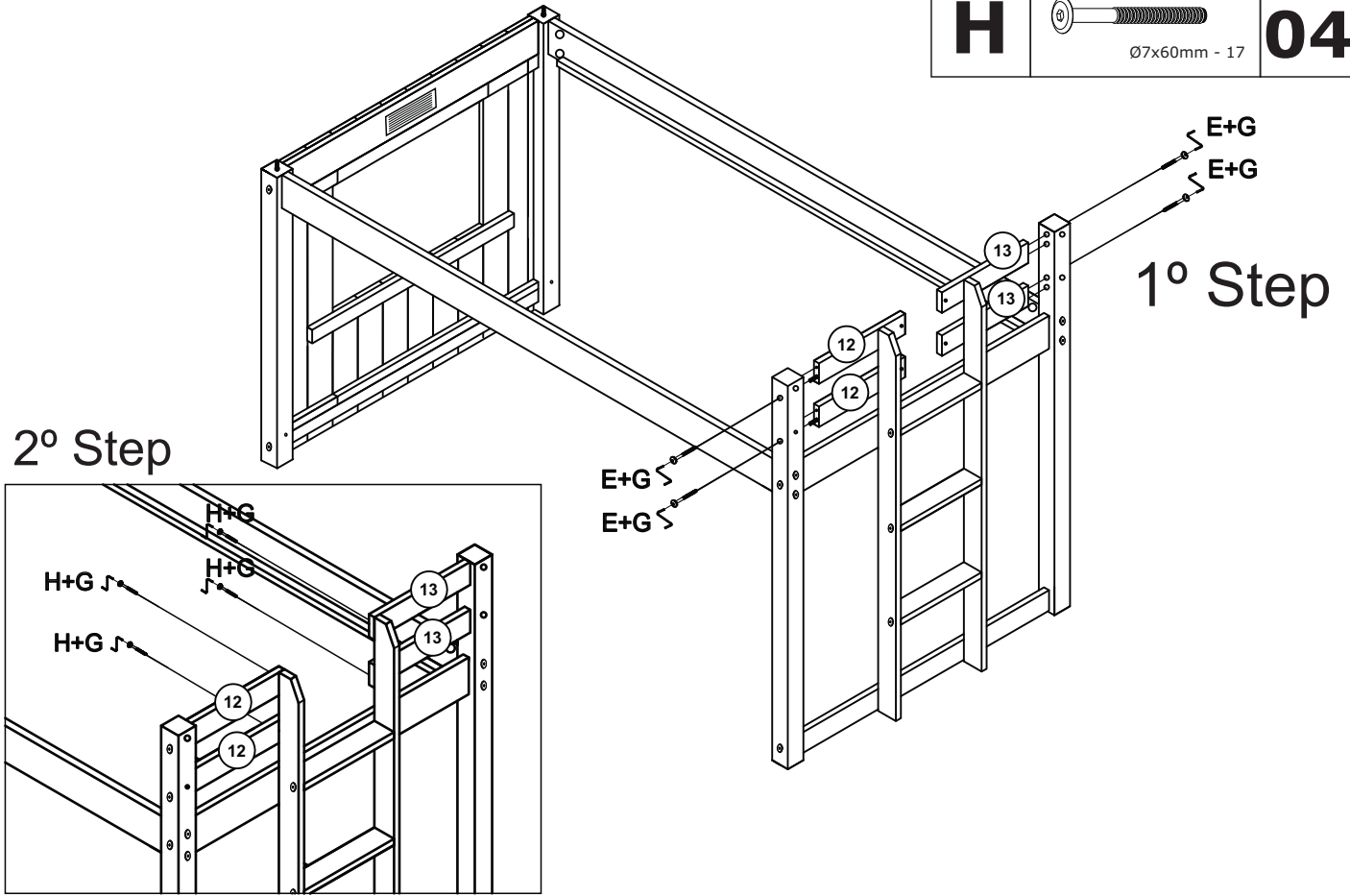
06

| | | | | | |
|----------|--|-----------|----------|--|-----------|
| H |  Ø7x60mm - 17 | 04 | G |  4mm | 01 |
|----------|--|-----------|----------|--|-----------|



07

| | | | | | |
|----------|---|-----------|----------|--|-----------|
| E |  Ø7x100mm - 17 | 04 | G |  4mm | 01 |
| H |  Ø7x60mm - 17 | | | | 04 |

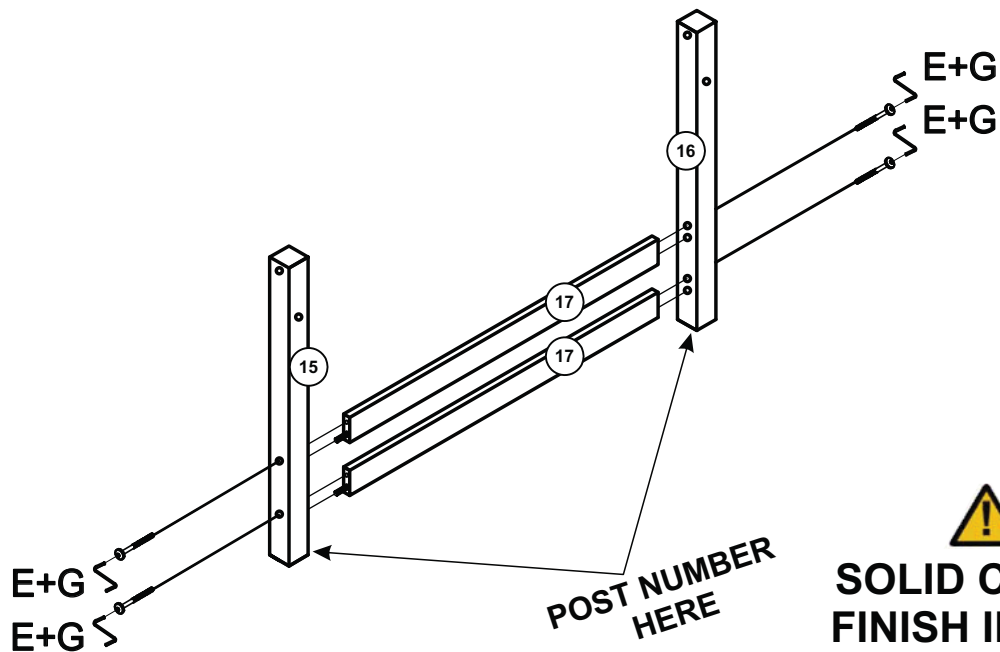


08

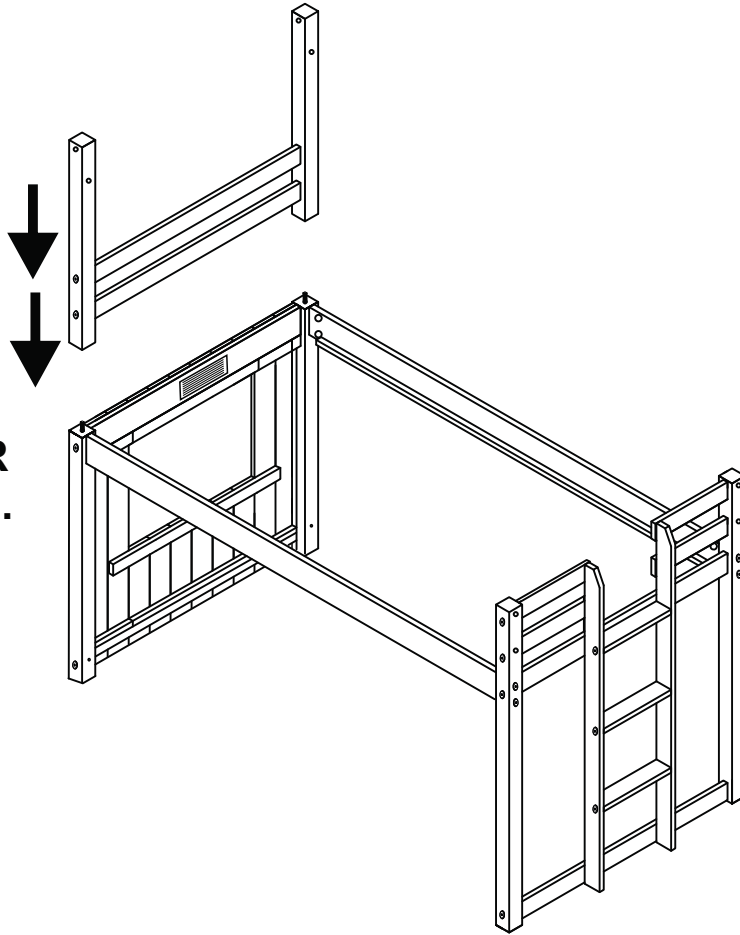


| | | | | | |
|----------|--|-----------|----------|--|-----------|
| E |  Ø7x100mm - 17 | 04 | G |  4mm | 01 |
|----------|--|-----------|----------|--|-----------|

HEADBOARD TOP!

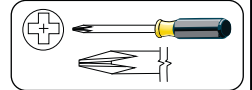
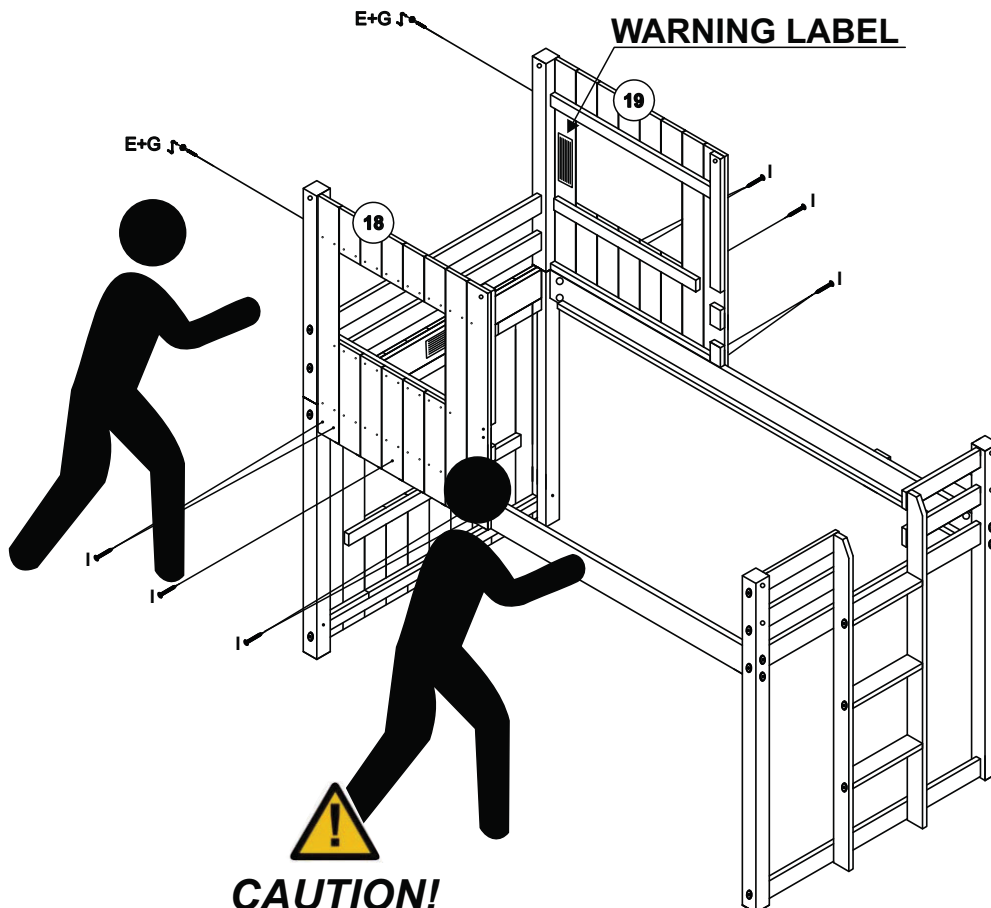
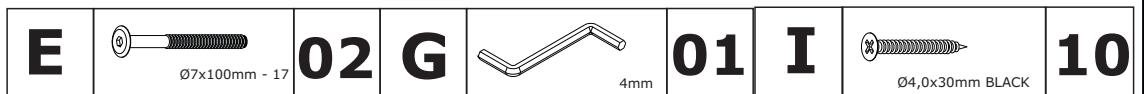


09



**SOLID COLOR
FINISH INSIDE.**

10






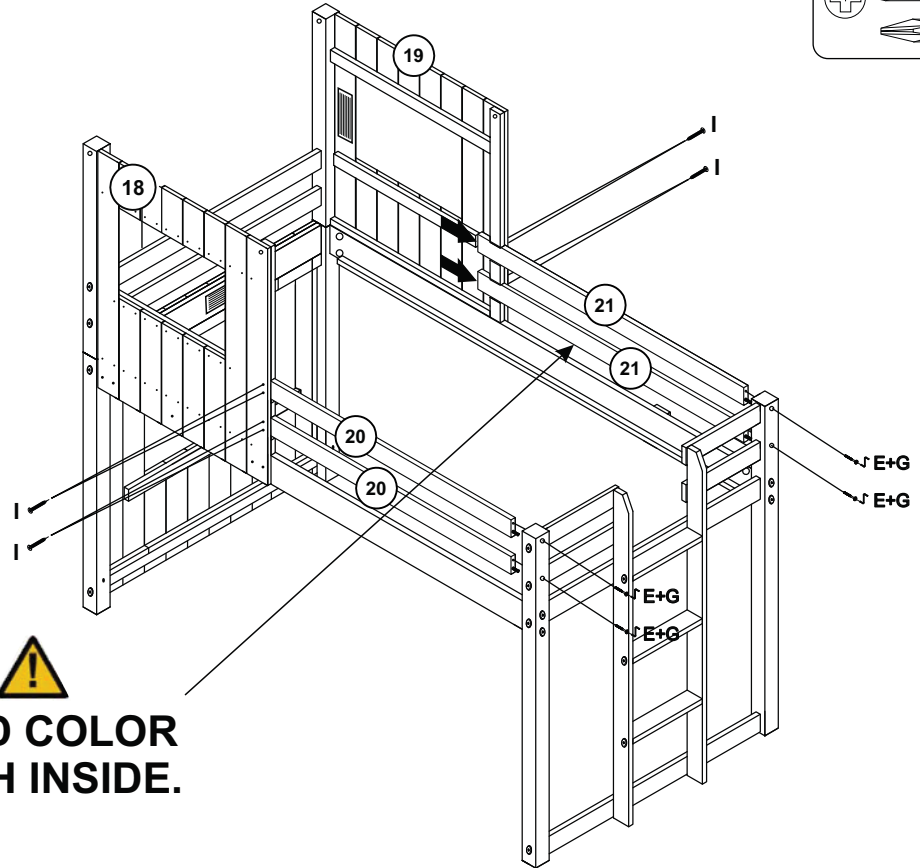
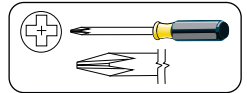
CAUTION!

*Please be careful when assembling this product due the parts are extremely heavy.
Also, please do not allow kids around when assembling this bed to avoid injuries!*

11





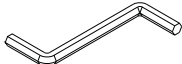
| | | | | | | | | |
|----------|---|-----------|----------|--|-----------|----------|---|-----------|
| E |  Ø7x100mm - 17 | 04 | G |  4mm | 01 | I |  Ø4,0x30mm BLACK | 08 |
|----------|---|-----------|----------|--|-----------|----------|---|-----------|

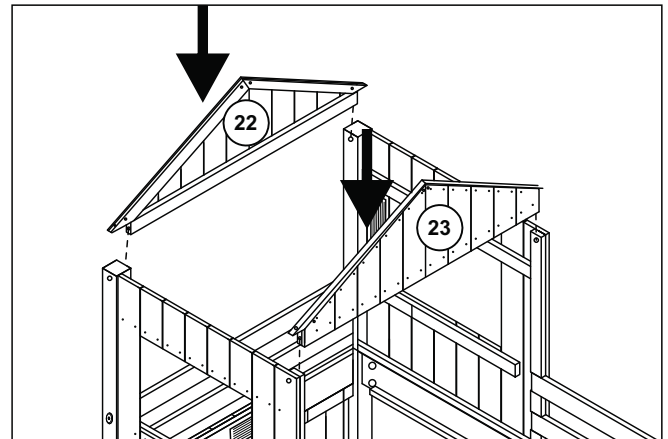
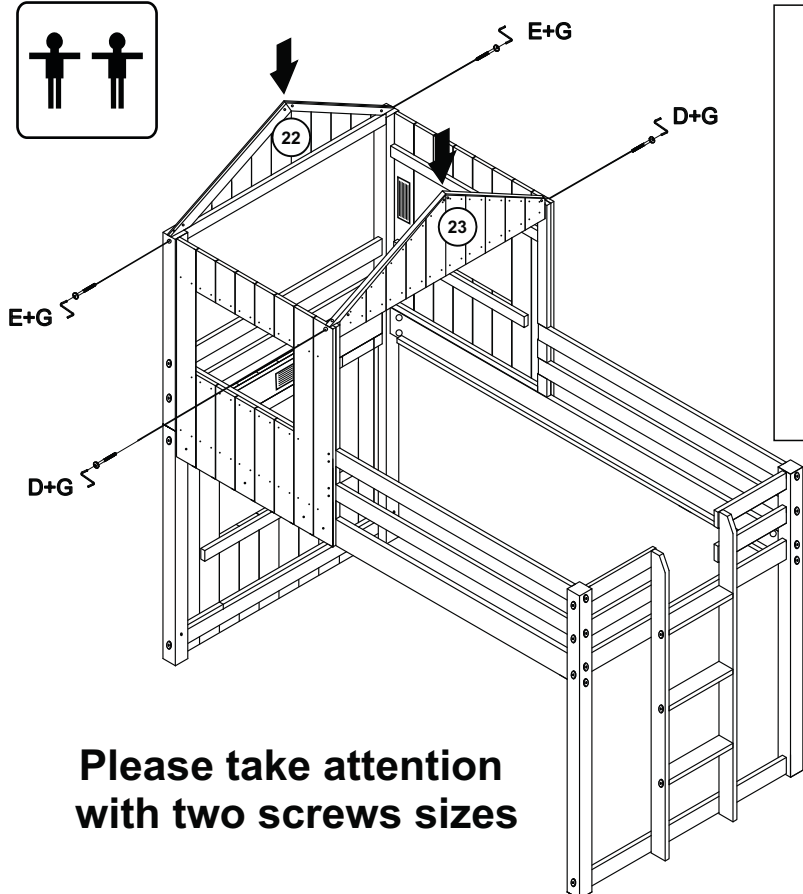



**SOLID COLOR
FINISH INSIDE.**

12



| | | | | | | | | |
|----------|---|-----------|----------|--|-----------|----------|--|-----------|
| D |  Ø7x80mm - 17 | 02 | E |  Ø7x100mm - 17 | 02 | G |  4mm | 01 |
|----------|---|-----------|----------|--|-----------|----------|--|-----------|



**Please take attention
with two screws sizes**

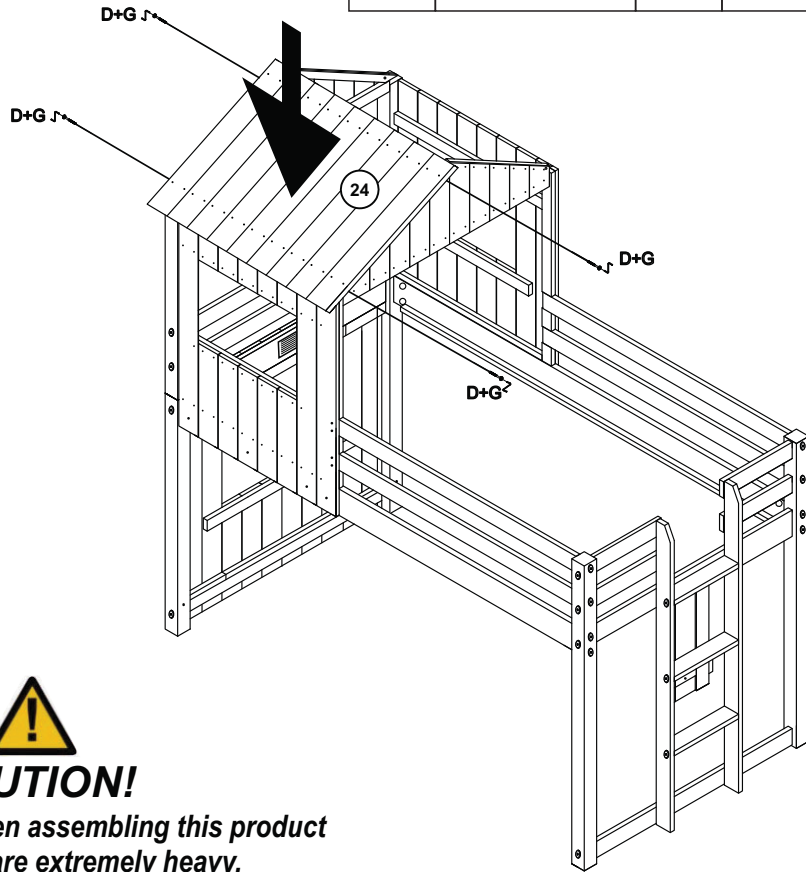

**SOLID COLOR
FINISH INSIDE.**



13



| | | | | | |
|----------|---|-----------|----------|--|-----------|
| D |  Ø7x80mm - 17 | 04 | G |  4mm | 01 |
|----------|---|-----------|----------|--|-----------|



CAUTION!

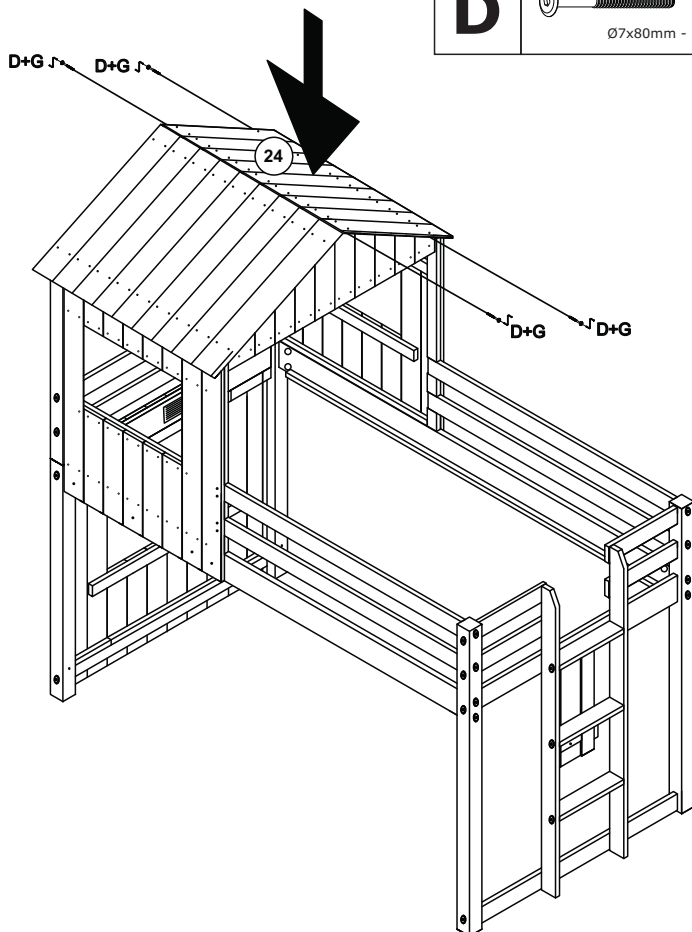
Please be careful when assembling this product due the parts are extremely heavy. Also, please do not allow kids around when assembling this bed to avoid injuries!




14

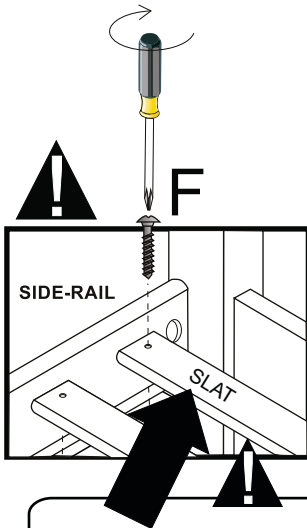
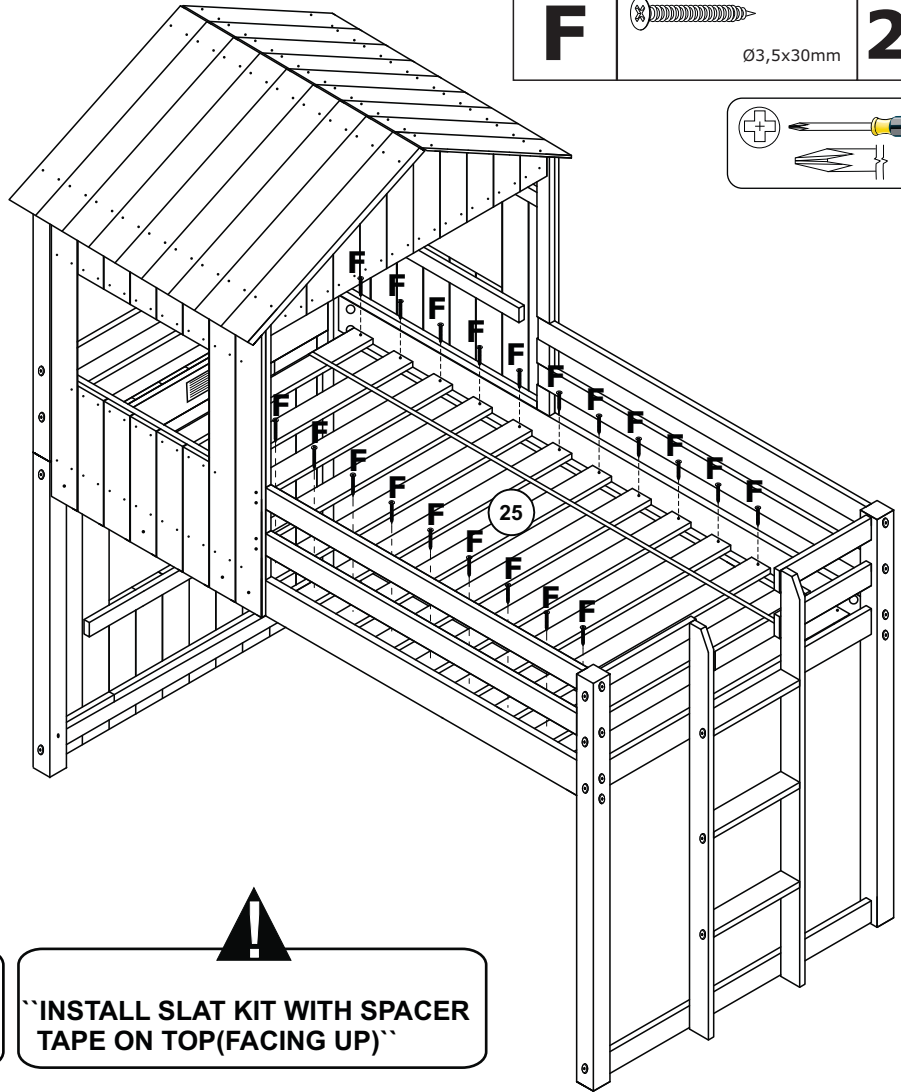
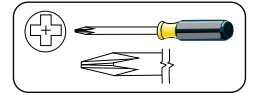


| | | | | | |
|----------|--|-----------|----------|--|-----------|
| D |  Ø7x80mm - 17 | 04 | G |  4mm | 01 |
|----------|--|-----------|----------|--|-----------|



15

| | | |
|----------|---|-----------|
| F |  | 26 |
| | Ø3,5x30mm | |



SIDE-RAIL

F

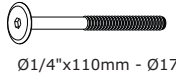
SLAT

The first slats must be fixed a 3" from each headboard end.

INSTALL SLAT KIT WITH SPACER TAPE ON TOP (FACING UP)

16

B



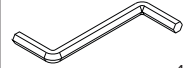
Ø1/4"x110mm - Ø17

04 C



Ø1/4"x25mm

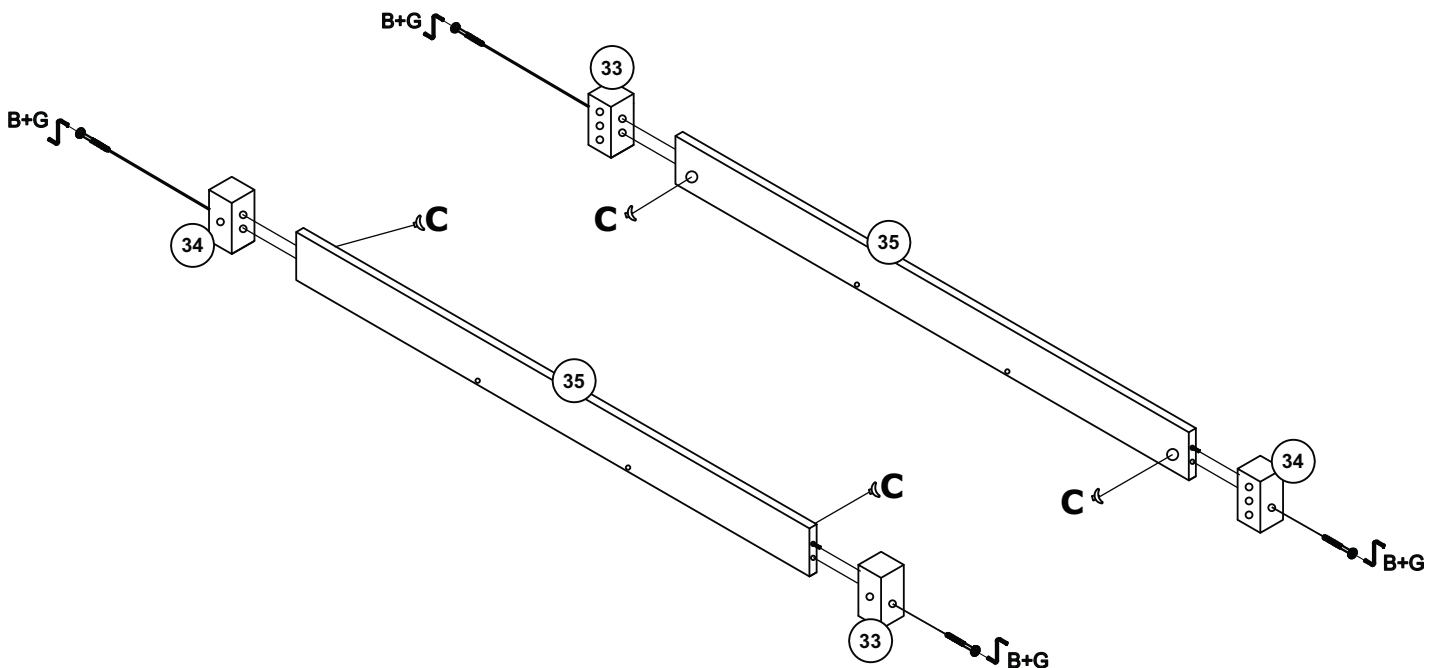
04 G



4mm

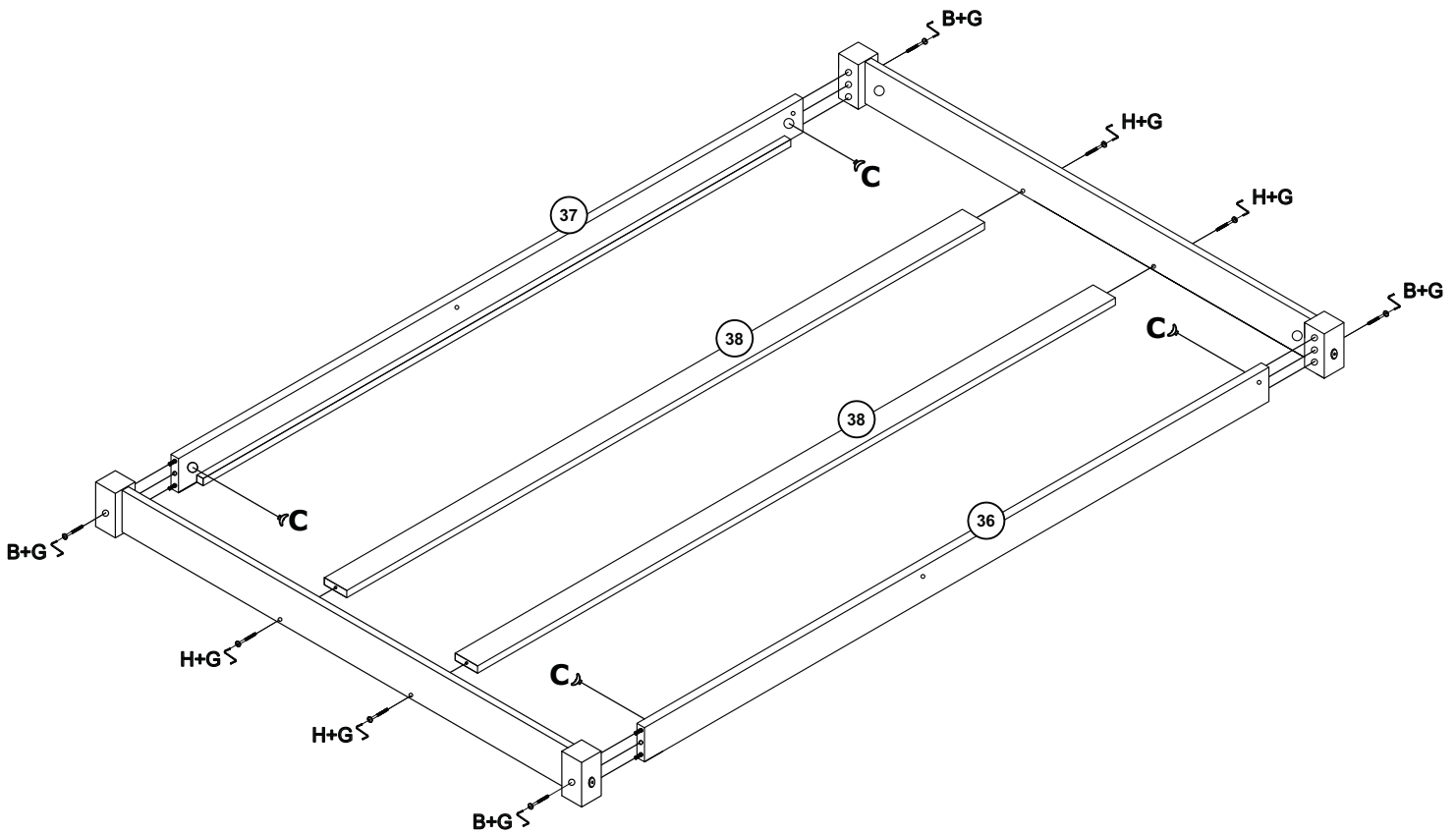
01

FULL BED



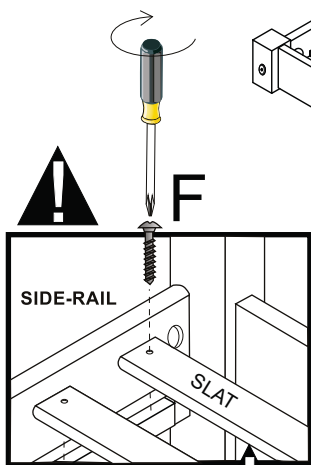
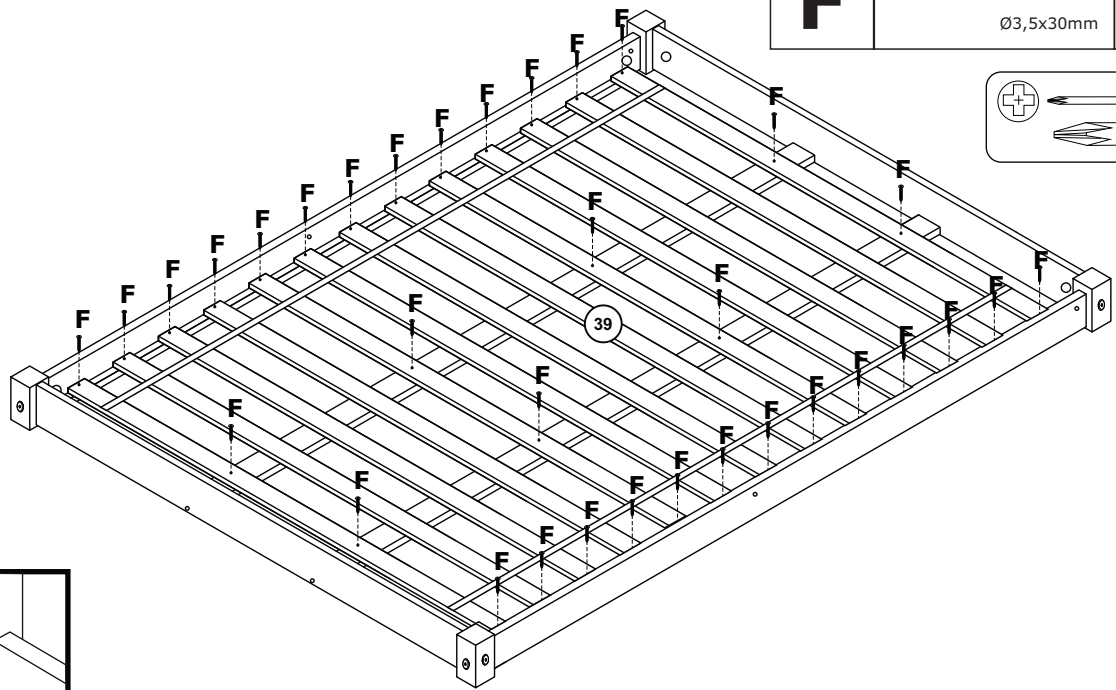
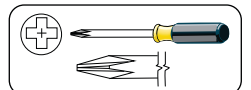
17

| | | | | | |
|----------|--|-----------|----------|--|-----------|
| B | | 04 | C | | 04 |
| H | | 04 | G | | 01 |



18

| | | |
|----------|--|-----------|
| F | | 34 |
|----------|--|-----------|



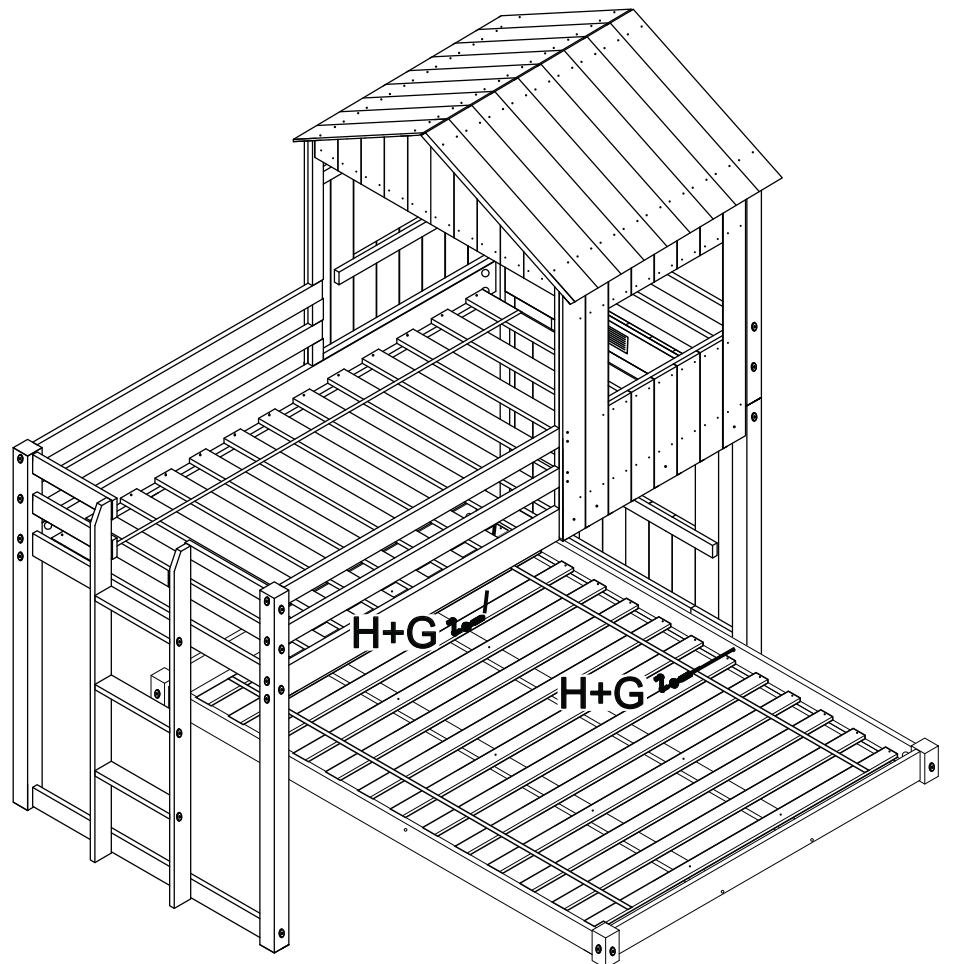
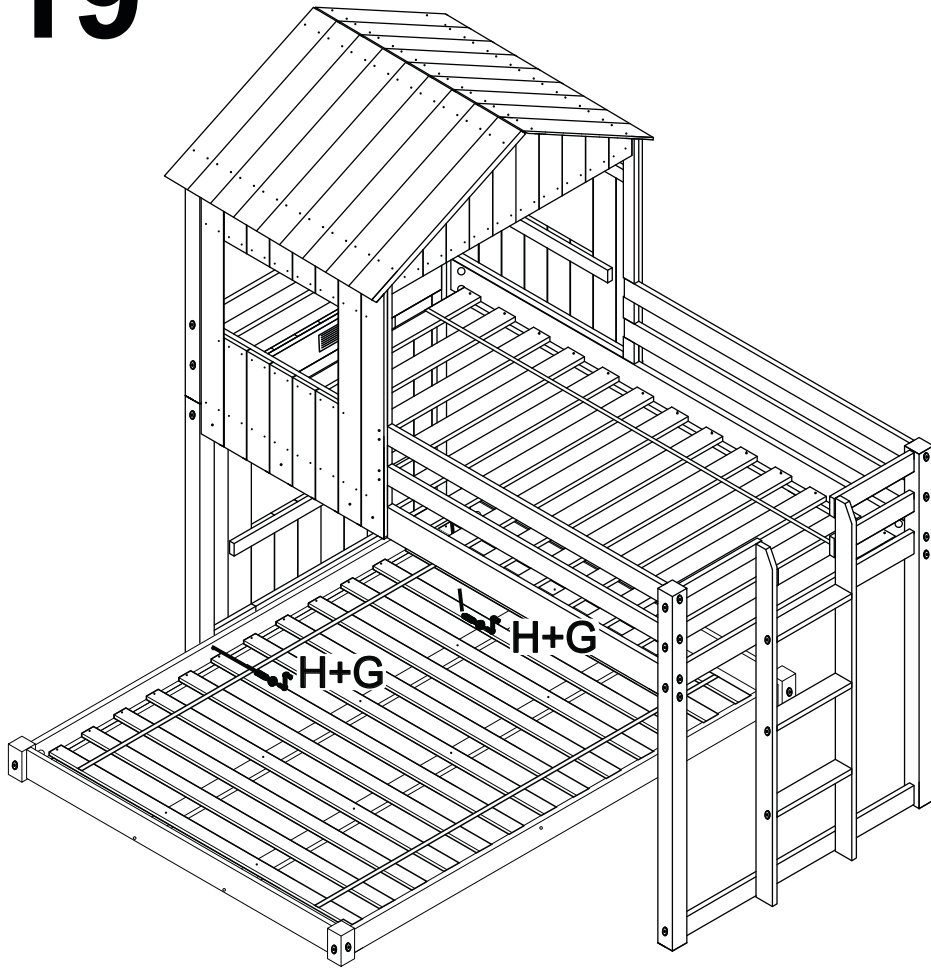
The first slats must be fixed a 3" from each headboard end.



INSTALL SLAT KIT WITH SPACER TAPE ON TOP (FACING UP)

19

| | | | | | |
|----------|---|-----------|----------|---|-----------|
| H |  Ø7x60mm - 17 | 02 | G |  4mm | 01 |
|----------|---|-----------|----------|---|-----------|

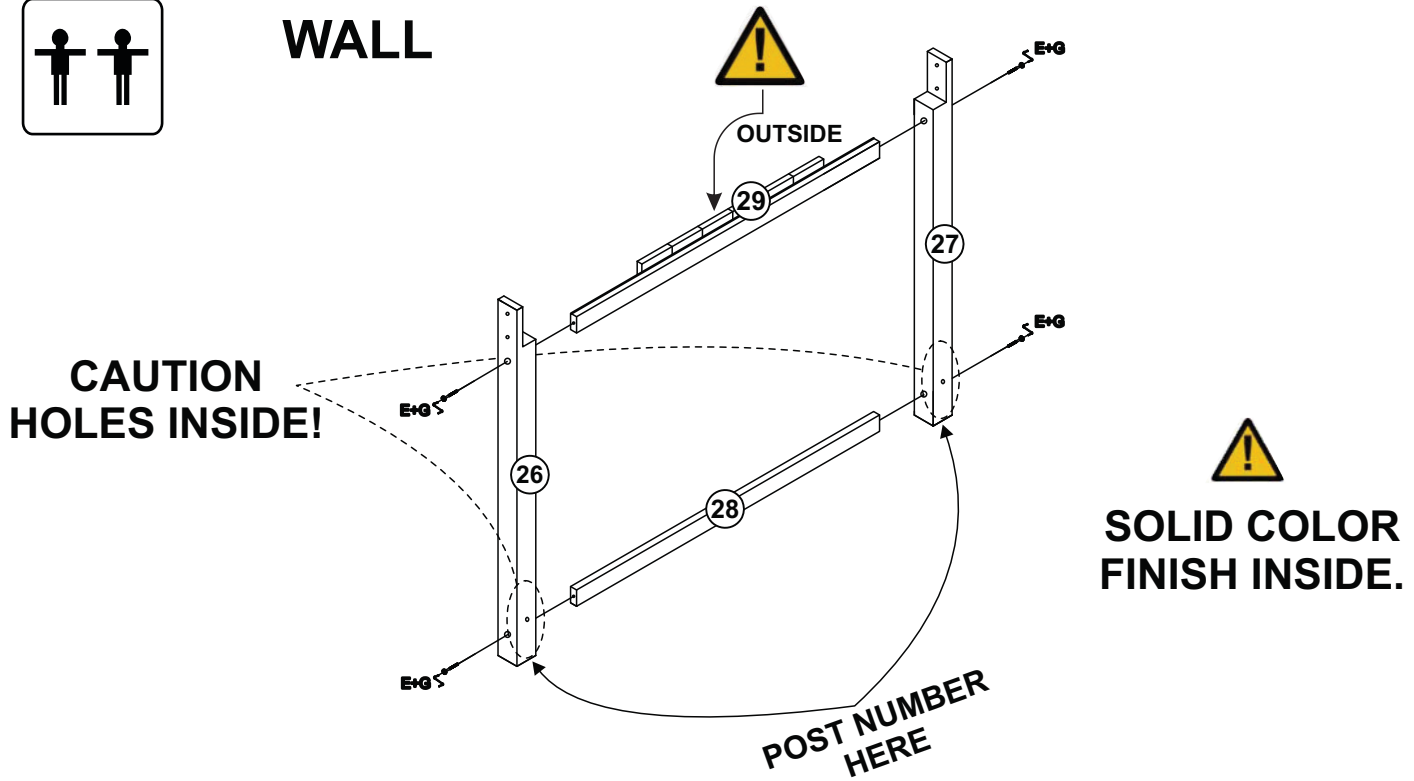


20

UNDERBED WALL

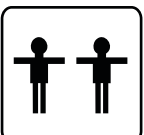



| | | | | | |
|----------|--|-----------|----------|--|-----------|
| E |  Ø7x100mm - 17 | 04 | G |  4mm | 01 |
|----------|--|-----------|----------|--|-----------|

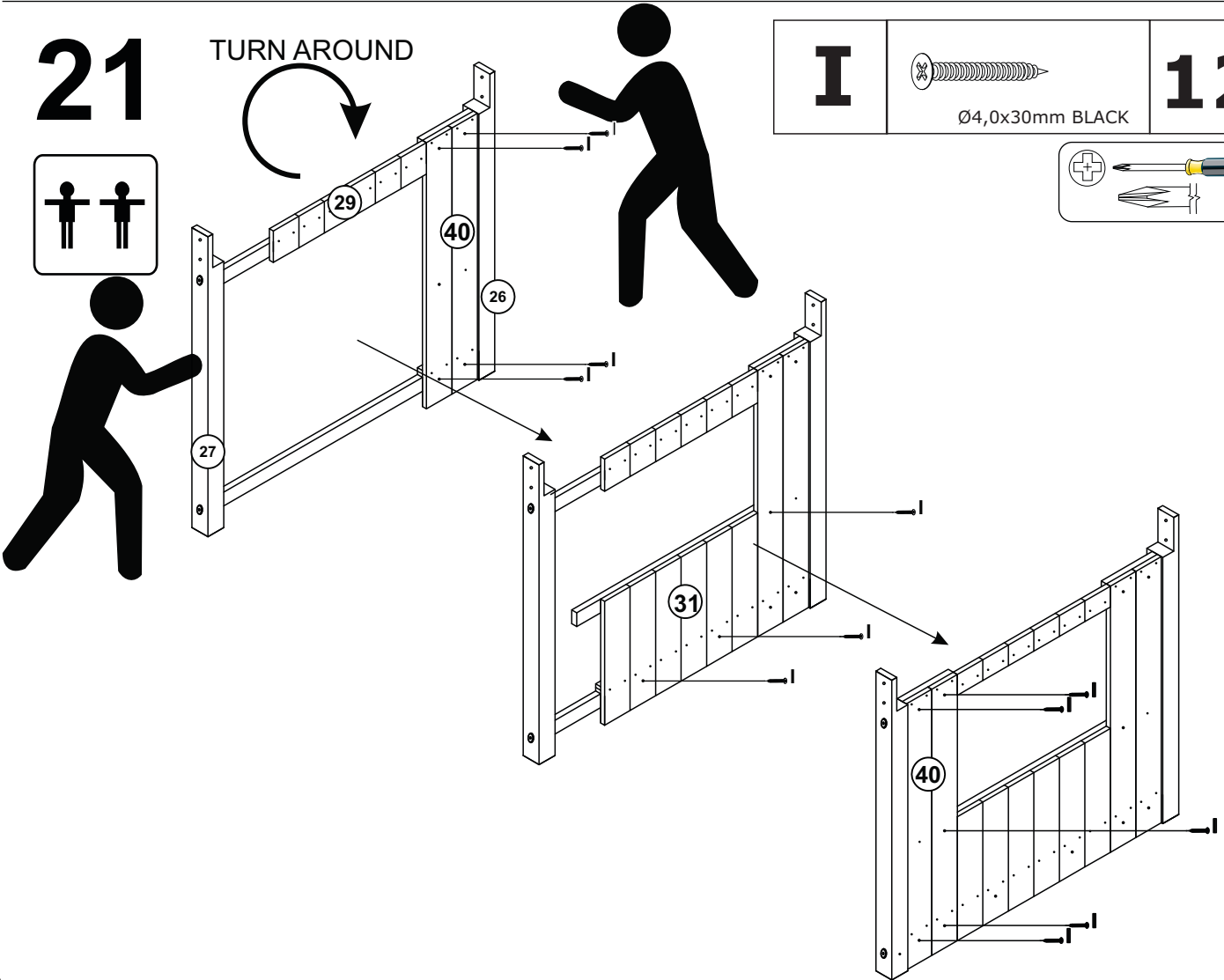
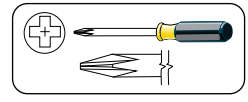


21




TURN AROUND

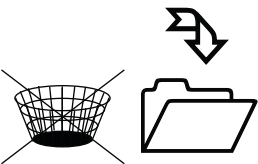
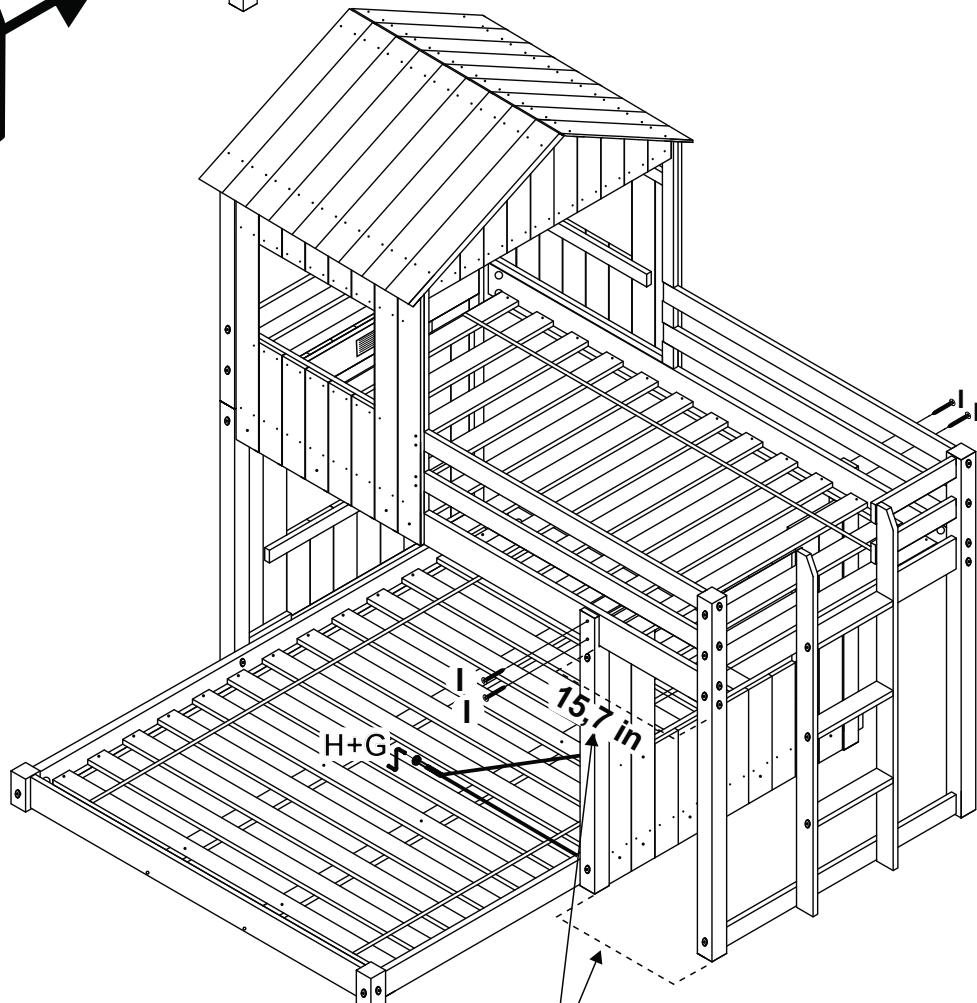
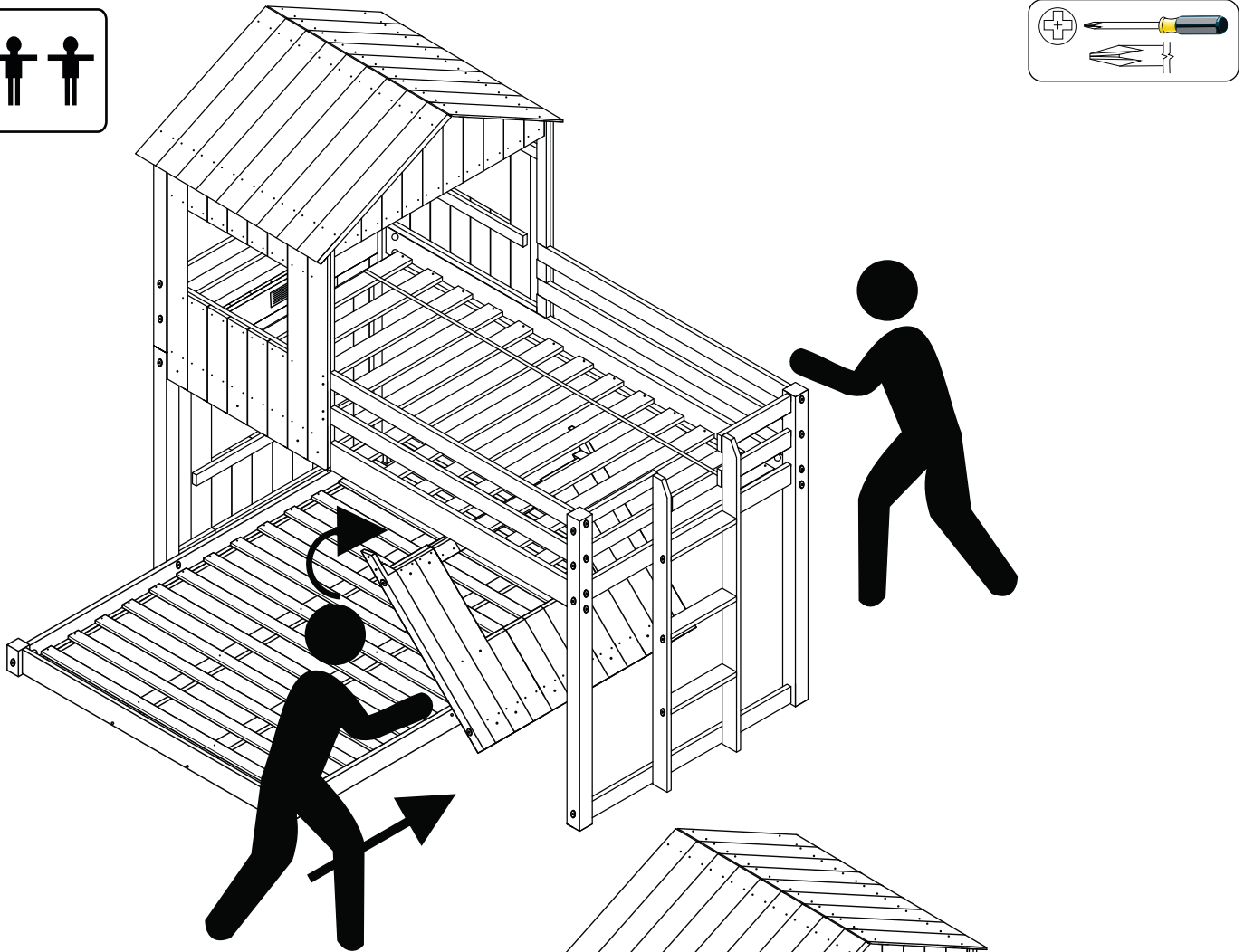
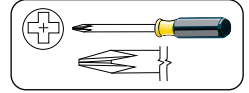


| | | |
|----------|--|-----------|
| I |  Ø4,0x30mm BLACK | 12 |
|----------|--|-----------|



22

| | | | | | | | | |
|----------|--|-----------|----------|---|-----------|----------|---|-----------|
| H |  Ø7x60mm - 17 | 02 | G |  4mm | 01 | I |  Ø4,0x30mm BLACK | 04 |
|----------|--|-----------|----------|---|-----------|----------|---|-----------|



ALIGN TOP WITH BOTTOM