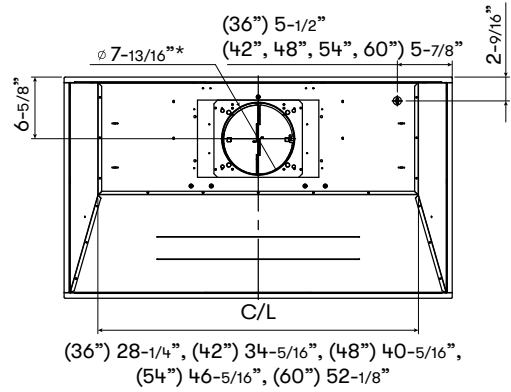


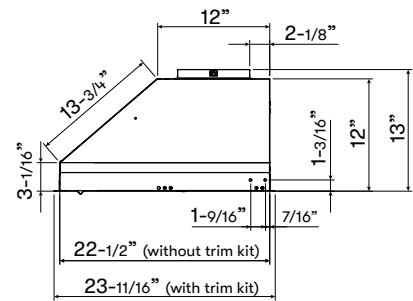
	INTERNAL BLOWER STANDARD	INTERNAL BLOWER with ACT™ AIRFLOW CONTROL TECHNOLOGY™*	
SINGLE BLOWER (INCLUDED) <b>Min. - Max. CFM</b>	200 - 650	200 - 390	200 - 290
SINGLE BLOWER (INCLUDED) <b>Min. - Max. Sones</b>	1 - 8	*AIRFLOW CONTROL TECHNOLOGY™ (ACT™) is an exclusive feature built into specific Zephyr hoods which can limit the maximum blower CFM to meet local code requirements.	
DUAL BLOWER (OPTIONAL) <b>Min. - Max. CFM</b>	400 - 1,200		
DUAL BLOWER (OPTIONAL) <b>Min. - Max. Sones</b>	3 - 11		



Shown with optional trim kit

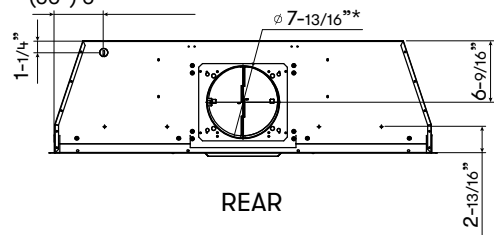


TOP

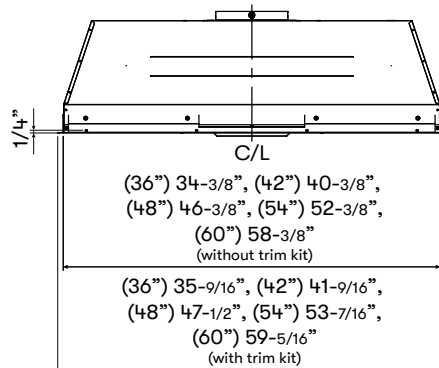


SIDE

(36", 42") 5-1/4"  
(48", 54") 5-5/16"  
(60") 6"



REAR



FRONT

\*See user manual for 10" round dual blower ducting dimensions



**TempGuard™**  
is a built-in safety feature that senses excessive heat. The fan speed will automatically adjust to high when the internal temperature exceeds 130°F.

**ACT™**

**Airflow Control Technology™ (ACT™)**  
is an exclusive feature built into specific Zephyr hoods which can limit the maximum blower CFM to meet local code requirements.



**TruHue™**  
A bright idea: customize your hood's light to harmonize with the rest of your kitchen's lighting at the touch of a button—from 2700K, 3000K, 3500K, 4000K to 5000K.



**Optional Trim Kit**  
Comes included. Install around the perimeter of the insert to hide uneven gaps in the cabinet cutout. More information on page 3.

MODEL	AK9334CS	AK9340CS	AK9346CS	AK9352CS	AK9358CS
<b>Stainless Steel Size</b>	36" (34-3/8")	42" (40-3/8")	48" (46-3/8")	54" (52-3/8")	60" (58-3/8")
<b>BLOWER PERFORMANCE</b>					
Blower CFM (Min. - Max.)	200 - 650	200 - 650	200 - 650	200 - 650	200 - 650
Sones (Min. - Max.)	1 - 7	1 - 7	1 - 7	1 - 7	1 - 7
ACT 390 CFM (Min. - Max.)	200 - 390	200 - 390	200 - 390	200 - 390	200 - 390
ACT 290 CFM (Min. - Max.)	200 - 290	200 - 290	200 - 290	200 - 290	200 - 290
Optional Dual Blower	400 - 1,200	400 - 1,200	400 - 1,200	400 - 1,200	400 - 1,200
Dual Blower Sones (Min. - Max.)	3 - 10	3 - 10	3 - 10	3 - 10	3 - 10
<b>FEATURES</b>					
ACT™ Technology*	Yes, single blower only	Yes, single blower only	Yes, single blower only	Yes, single blower only	Yes, single blower only
Controls	Electronic LCD	Electronic LCD	Electronic LCD	Electronic LCD	Electronic LCD
Speed Levels	5**	5**	5**	5**	5**
TempGuard***	Yes	Yes	Yes	Yes	Yes
Auto Delay-Off	Yes	Yes	Yes	Yes	Yes
CleanAir Function	Yes	Yes	Yes	Yes	Yes
Lighting	LumiLight LED, 6W x2	LumiLight LED, 6W x2	LumiLight LED, 6W x4	LumiLight LED, 6W x4	LumiLight LED, 6W x4
Dual-Level Lighting	Yes	Yes	Yes	Yes	Yes
TruHue™	Yes	Yes	Yes	Yes	Yes
Filters	Pro Baffle x2	Pro Baffle x2	Pro Baffle x3	Pro Baffle x3	Pro Baffle x3
Grease Collection Tray	Yes	Yes	Yes	Yes	Yes
Wireless Remote Control	Yes	Yes	Yes	Yes	Yes
Recirculating Option	No	No	No	No	No
ADA Compliant	Yes, with remote accessory	Yes, with remote accessory	Yes, with remote accessory	Yes, with remote accessory	Yes, with remote accessory
<b>DUCT SPECIFICATIONS</b>					
Vertical Single Internal Blower	8" Round	8" Round	8" Round	8" Round	8" Round
Horizontal Single Internal Blower	8" Round	8" Round	8" Round	8" Round	8" Round
Vertical Dual Internal Blower	10" Round	10" Round	10" Round	10" Round	10" Round
Horizontal Dual Internal Blower	NA	NA	NA	NA	NA
<b>AC POWER</b>					
Single Blower	120V, 60Hz at Max. 5A	120V, 60Hz at Max. 5A	120V, 60Hz at Max. 5A	120V, 60Hz at Max. 5A	120V, 60Hz at Max. 5A
Dual Blower	120V, 60Hz at Max. 9A	120V, 60Hz at Max. 9A	120V, 60Hz at Max. 9A	120V, 60Hz at Max. 9A	120V, 60Hz at Max. 9A
<b>OPTIONAL ACCESSORIES</b>					
Wireless Remote Control	RC-0002	RC-0002	RC-0002	RC-0002	RC-0002
Dual Internal Blower	PBD-1200B	PBD-1200B	PBD-1200B	PBD-1200B	PBD-1200B
Make-Up Air Kit (single blower)	MUA008A	MUA008A	MUA008A	MUA008A	MUA008A
Make-Up Air Kit (dual blower)	MUA010A	MUA010A	MUA010A	MUA010A	MUA010A
<b>MOUNTING HEIGHT RANGE†</b>	24" - 36"	24" - 36"	24" - 36"	24" - 36"	24" - 36"
<b>WARRANTY</b>	3 years parts, 1 year labor	3 years parts, 1 year labor	3 years parts, 1 year labor	3 years parts, 1 year labor	3 years parts, 1 year labor

\*ACT™ only available with single internal blower

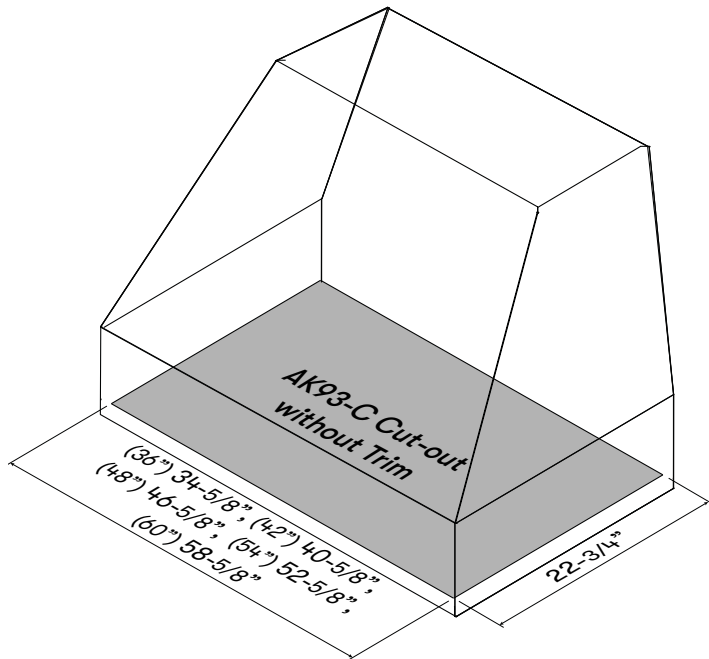
\*\*When ACT™ is enabled the maximum speed levels will change. ACT 390 CFM = 3 speeds and ACT 290 CFM = 2 speeds.

\*\*\*TempGuard is a built-in safety feature that turns on the fan if excessive heat is detected

†Mounting height refers to distance between top of a 36" tall cooking surface and bottom of hood.

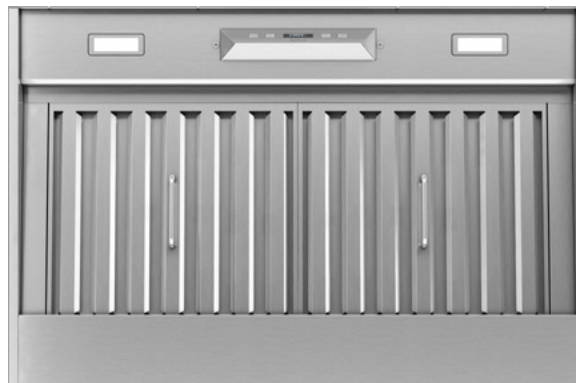
CABINET CUT-OUT DIMENSIONS

**CABINET CUT-OUT FOR INSTALLATION WITHOUT TRIM**

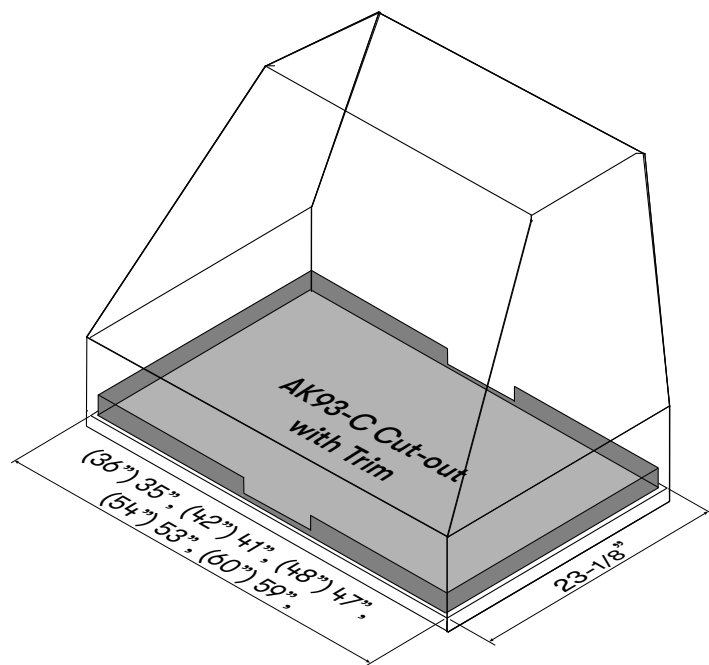


**Cabinet Bottom Cut-Out Size (W x D) without trim:**

- AK9334CS 34-5/8" x 22-3/4"
- AK9340CS 40-5/8" x 22-3/4"
- AK9346CS 46-5/8" x 22-3/4"
- AK9352CS 52-5/8" x 22-3/4"
- AK9358CS 58-5/8" x 22-3/4"



**CABINET CUT-OUT FOR INSTALLATION WITH TRIM**



**Cabinet Bottom Cut-Out Size (W x D) with trim:**

- AK9334CS 35" x 23-1/8"
- AK9340CS 41" x 23-1/8"
- AK9346CS 47" x 23-1/8"
- AK9352CS 54" x 23-1/8"
- AK9358CS 60" x 23-1/8"



**Optional Trim Kit**

The trim kit consists of four pieces that secure to the front, back, and sides of the insert. The back trim piece will not be used in installations where the insert is installed flush against the wall or if the thickness of the cabinet back panel is less than 1/2".