



MADE IN GERMANY

SEBO AUTOMATIC X  
X4 | X4 BOOST

# OWNER'S MANUAL

For Household Use Only



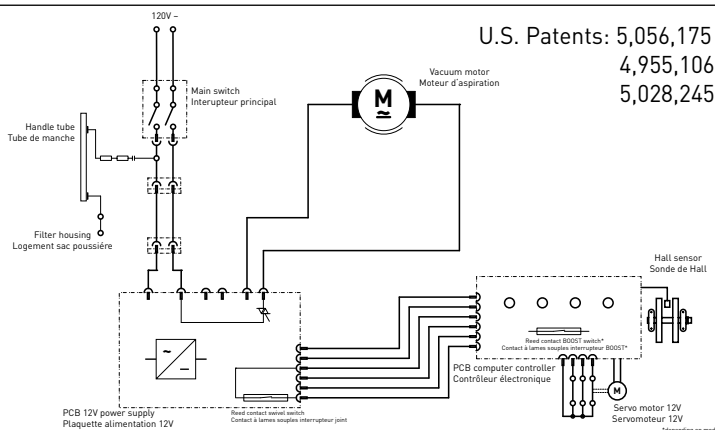
# TABLE OF CONTENTS

<b>Technical Details</b> .....	<b>2</b>
<b>Wiring Diagram</b> .....	<b>2</b>
<b>How To Contact SEBO</b> .....	<b>2</b>
<b>Important Safety Instructions</b> .....	<b>3</b>
<b>SEBO AUTOMATIC X Product Features</b> .....	<b>4</b>
<b>Standard Features of all SEBO Vacuums</b> .....	<b>5</b>
<b>Optional Attachments, Accessories, Bags &amp; Filters</b> .....	<b>6</b>
<b>Identification of Parts</b> .....	<b>7</b>
Standard Attachments .....	7
Assembly .....	7
<b>Operating Instructions</b> .....	<b>8</b>
Starting the Machine .....	8
Operating the Machine .....	8
Using the Cleaning Wand, Hose & Attachments .....	9
The Display Panel .....	9
The BOOST Function .....	9
The Adjustment Wheel .....	9
<b>Maintenance</b> .....	<b>10</b>
Changing the Filter Bag .....	10
Changing the Pre-motor Microfilter .....	10
Changing the Exhaust Filter .....	10
Changing the Brush Roller.....	10
Changing the Sealing Strip .....	10
<b>Clog Removal</b> .....	<b>11</b>
Clogs in the Airflow Pathway .....	11
Clogs in the Attachment Hose .....	11
Clogs in the Cleaning Wand .....	11
Clogs in Entrance to Filter Bag.....	11
Clogs in the Swivel Neck .....	11
<b>Trouble-Shooting Guide</b> .....	<b>12</b>
<b>AUTOMATIC X4 Bag Housing and Handle Schematic and Part Numbers</b> .....	<b>13</b>
<b>AUTOMATIC X4 Power Head Schematic and Part Numbers</b> .....	<b>14</b>
<b>AUTOMATIC X4 BOOST Power Head Schematic and Part Numbers</b> .....	<b>15</b>

## TECHNICAL DETAILS

Vacuum motor	1300 watts (10.8 amps)
Water lift (at motor)	92 inches
Airflow (at motor)	103.8 CFM
Filter bag capacity	1.4 gal.
Sound level	69 dBA
Body weight	16.7 lbs
Motor protection	electronic cut-out
Working width	12 inches

## WIRING DIAGRAM



## HOW TO CONTACT SEBO

**To contact SEBO in the United States of America:**  
 SEBO America, LLC  
 Telephone: (800) 334-6614  
 Fax: (303) 792-9196  
 Website: www.sebo.us

**To contact SEBO in Canada:**  
 SEBO Canada  
 Telephone: (877) 258-2005  
 Fax: (800) 270-4807  
 Website: www.sebocanada.ca

# IMPORTANT SAFETY INSTRUCTIONS



## READ ALL INSTRUCTIONS BEFORE USING THIS MACHINE

### When using an electrical appliance, basic precautions must always be followed.

To reduce the risk of electric shock, this vacuum cleaner has a polarized plug; one blade is wider than the other. This plug will fit in a polarized outlet only one way. If the plug does not fit fully in the outlet, reverse the plug. If it still does not fit, contact a qualified electrician to install the proper outlet. Do not change the plug in any way. Connect only to the outlet type specified on the serial number plate underneath the machine.

### SAVE THESE INSTRUCTIONS.

## WARNING: To reduce the risk of fire, electric shock, or injury:

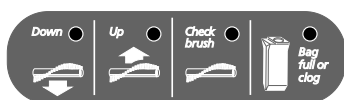
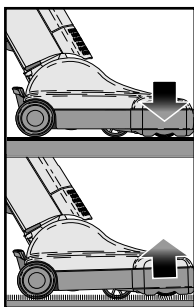
1. Do not leave vacuum while plugged in. Unplug from outlet when not in use and before servicing.
2. Do not use outdoors or on wet surfaces.
3. Do not use near small children or pets. Do not allow to be used as a toy. Use of this product by children should always be supervised by an adult.
4. Use only as described in this manual. Use only manufacturer-recommended attachments.
5. Do not use with a damaged cord or plug. If vacuum is not working as it should, has been dropped, damaged, left outdoors, or dropped into water, take it to a SEBO service center.
6. Do not pull or carry by cord, use cord as a handle, close a door on cord, or pull cord around sharp edges or corners. Do not run vacuum over cord. Keep cord away from heated surfaces.
7. Do not unplug by pulling on cord. To unplug, grasp the plug – not the cord.
8. Do not plug in if switch is in the “I” (ON) position.
9. Do not use outlets above counters to plug in vacuum – damage to items in the surrounding area could occur.
10. Always carry the vacuum over steps and sills.
11. Do not handle plug or vacuum handle with wet hands.
12. Do not put any object into vacuum openings. Do not use machine with any openings blocked. Keep openings free of lint, hair, and anything that may reduce air flow.
13. Do not re-use filter bags or wash the filters.
14. Do not remove any screws from vacuum.
15. Do not vacuum up anything that is burning or smoking, such as cigarettes, matches, or hot ashes.
16. Do not use vacuum without filter bag and/or filters in place.
17. Turn off all machine controls before unplugging.
18. Use extra care when cleaning on stairs.
19. Do not use machine to vacuum up flammable or combustible liquids such as gasoline or use in areas where they may be present.
20. Machines can cause a fire when operated near flammable vapors or materials. Do not operate this vacuum near flammable fluids, dust or vapors.
21. Maintenance and repairs must be done by qualified personnel.
22. Use only original SEBO replacement parts.
23. Do not use vacuum as a step.
24. If vacuum is used on plush carpet or carpet with thick padding, do not leave machine standing in one place with machine turned on.
25. Do not use the operator’s handle, which inserts into the top of the bag housing, to carry the machine. The carrying handle is located on the backside of the machine’s bag housing.
26. Keep hair, loose clothing, fingers, and all parts of body away from vacuum openings and moving parts. Do not place fingers or other body parts under vacuum unless it is unplugged.
27. Do not place the power head over rug or carpet edges.
28. The vacuum has a manual reset thermal protector. The protector is reset by switching off the vacuum. The thermal protector needs some time to cool down after switching off! Check the vacuum for air blockages or mechanical failures before switching on.
29. Store the vacuum in a dry place at room temperature. When the vacuum is not in use, you should wrap the cord on the cable hooks.
30. Any other servicing should be performed by an authorized service representative.

# SEBO AUTOMATIC X PRODUCT FEATURES

## Designed for All Floor Surfaces.

### Automatic Height Adjustment for All Floors

– Based upon the resistance of the brush roller against the floor, the power head automatically adjusts up or down to the appropriate cleaning height, providing optimal cleaning of all floor surfaces. The height adjustment chosen by the machine ensures aggressive brush action, while providing optimal air flow. This prevents suffocation of air flow due to improper height selection. Never again manually adjust the brush height or use different vacuums for various floor surfaces; the SEBO X cleans them all, automatically!



**Brush Adjustment Indicator Lights** – Two lights, one for “up” and one for “down,” illuminate to indicate when the brush roller is in the process of adjusting to the proper cleaning height. Optimum cleaning occurs when both lights are off.

**Bag Full or Clog Light & Auto Shut Off** – A warning light will illuminate and the machine will automatically shut off, when it senses a full bag, a clog in the airflow pathway, or an excessively dirty micro filter. If the user ignores this warning for approximately 30 seconds, the machine will shut off and the “BAG FULL OR CLOG” light will flash. The user should turn the switch off, unplug the machine and immediately insert a new bag or remove the clog (to remove a clog, refer to the Clog Removal section on page 10). If the user restarts the machine without having solved the problem, the “BAG FULL OR CLOG” light will again illuminate and the machine will shut off in 30 seconds. This feature prevents damage to the motor due to overheating.

**Brush Deterioration Light** – To ensure optimum cleaning at all times, a warning light will illuminate to indicate when the brush roller should be replaced due to excessive wear. The red “CHECK BRUSH” light will illuminate (after a 10 second delay) to notify the user that the brush roller is too worn and, therefore, should be replaced. The light will remain illuminated until the worn brush roller is replaced, but the machine will continue to operate.

### Brush Obstruction Light & Auto Shut Off

– A warning light will quickly flash, the brush roller will immediately stop spinning and the vacuum will shut off, if an obstruction becomes jammed in the brush roller. This prevents the belt from breaking and protects the motor from damage. The user should turn the switch off, unplug the machine and immediately remove the obstruction. If the user restarts the machine without removing the obstruction, the machine will again shut off in 3 seconds and the “CHECK BRUSH” light will flash.



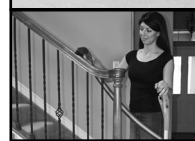
**Stationary Use Light** – A warning light will slowly flash when the machine is standing in its upright locked position (which causes the power head to rise to its highest point from the floor) yet the brush remains in contact with the carpet fibers. This feature warns of potential carpet damage caused by excessive time in a stationary position, during which carpet fibers remain engaged with the brush, usually on medium to high pile carpet.

**Easy Brush Roller Removal** – Quick brush cleaning or replacement is easy, and no tools are required!



**Vacuum Motor** – The AUTOMATIC X has a 1300 watt motor.

**Instant-use Wand and Suction Hose** – The integrated instant-use cleaning wand or suction hose is always ready. Just pull out either tool, or both together, to clean hard-to-reach corners, edges and crevices. The suction hose is ideal for cleaning furniture. And an optional nine-foot extension hose is available, which creates a total hose length of 15-feet, perfect for cleaning stairs. Choose from a range of optional attachments that can be fitted to the cleaning wand or hose. The wand and hose together have an eight-foot reach for instant cleaning of hard-to-reach areas.



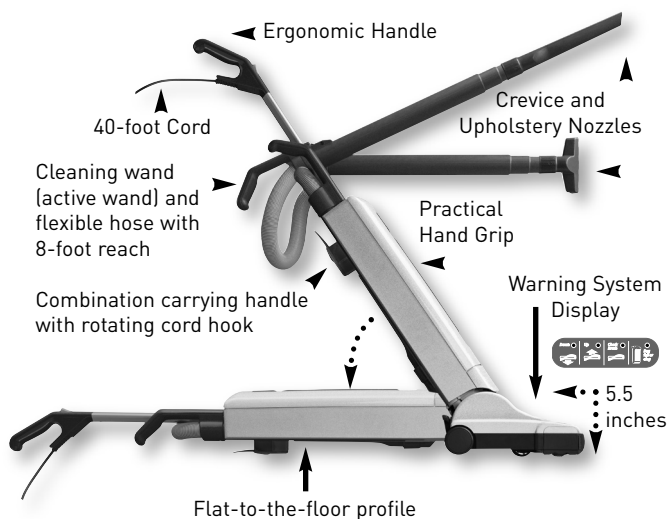
**A Flat-to-the-floor, 5.5-inch Profile** – Such a low profile makes cleaning under furniture and beds easy!

**Forty-foot Cord** – A 40-foot cord saves time because it minimizes the number of electrical outlets needed during use.

**Lifetime Belt Warranty** – No more changing belts...they should last the life of the machine!

**One-sided Edge Cleaning** – The AUTOMATIC X4 power head is 12 inches wide, with a cleaning width of 10.5 inches and one-sided edge cleaning.

**Three On-board, Full-size Tools and Large Filter Bag** – The vacuum comes standard with a crevice nozzle, dusting brush and upholstery nozzle. Many optional accessories are also available. The filter bag is also SEBO’s largest, with a dirt capacity of 1.4 gallons.



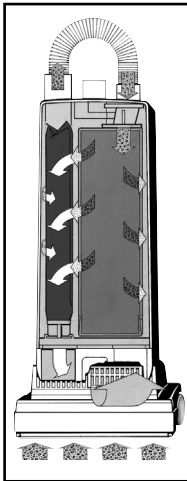
# STANDARD FEATURES OF ALL SEBO VACUUMS

## SEBO'S FILTRATION SYSTEM:

### Bagged vs. Bagless . . . Bags are Better! –

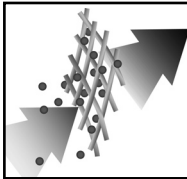
Top-fill, three-layer AeraPure™ Bags are an integral part of SEBO's filtration system because they hold virtually all the dirt captured by the vacuum, which improves the effectiveness and useful life of the microfilters. They also ensure continuously strong suction because dirt enters from the top, deposits at the bottom, accumulates upward, and air exits through the sides, which allows unimpeded airflow as they fill to capacity. And they can be tightly sealed with a hygiene cap when full, so no dust can escape into the air during bag removal and disposal.

In contrast, without bags to hold nearly all the captured dirt, the microfilters on bagless vacuums quickly clog from excessive dirt build-up and must be replaced often, or a loss of suction and cleaning effectiveness will occur. In addition, dust and other allergens become airborne when emptying bagless dirt containers. Lastly, bagless vacuum microfilters are expensive, usually costing more than a multi-year supply of SEBO filter bags.



### S-class, Pre-motor and/or Exhaust Microfilters –

S-class, Pre-motor and Exhaust Microfilters (S="Schwebstoff"= airborne particles) are made from electrostatically charged, micro-fiber material, which attracts and captures dust particles from the airflow of the vacuum before and after it passes over the motor to cool it. Cooling the motor with super-clean air increases motor life and reduces the possibility of maintenance, even after many years of use. Also, the exhaust air is cleaned to the highest level before being emitted from the machine. The S-class Standard requires filters to absorb greater than 99.9% of particles down to 0.3 microns in diameter. For comparison, 100 microns is the diameter of a human hair. Their advantages are a relatively open texture that allows smoother airflow for better suction performance, a longer life expectancy, and they cost less than HEPA filters.



### HEPA, Pre-motor and/or Exhaust Microfilters (Optional) –

HEPA Microfilters ("High Efficiency Particulate Air") remove a minimum of 99.97% of all airborne particulate matter down to 0.3 microns in diameter. Because these filters use small, grid-like structures to capture dust particles, dirt build-up clogs the airflow pathway sooner than what is expected from S-class microfilters. However, SEBO's HEPA microfilters are sold along with three-layer AeraPure™ bags, which provide highly effective filtration before the airflow goes through the HEPA microfilter, greatly increasing life expectancy and reducing the potential of diminished air flow.

**Designed and Manufactured in Germany** – Legendary quality, reliability and performance make SEBO vacuums the first choice of cleaning professionals throughout the world.

**World's Best Pet Vacuums** – Because of superior power-head and brush-roller technology, SEBO vacuums are the world's best for pet hair removal!

**Tightly Sealed Vacuums Ensure Effective Filtration** – Dirty air, which flows through a vacuum, can only be filtered completely if it does not escape into the room through seams or seals in the machine. This is why all SEBO vacuums have tight seals throughout.

Many vacuum companies with high-filtration claims are actually quoting specifications made by the manufacturer of the filter material, as measured in the laboratory, not the filtration effectiveness of the vacuum itself while operating. Whether or not dirty air can escape through leaks in the body of the machine is not considered. The filtration effectiveness of SEBO vacuums is tested while they operate.

**Reliable, Commercial-grade Components** – All SEBO vacuums are constructed with thick, reinforced, ABS plastic, aluminum and metal parts, steel axles and bearings, and high-end, quality motors. Therefore, SEBO users own reliable, long-lasting vacuum cleaners. Competing vacuums are made with thin, flimsy, inexpensive, plastic materials, none of which are reinforced, and typically have useful lifespans of one or two years.

**Rubber Wheels and Soft Bumpers Protect Homes** – Smooth-gliding, rubber wheels protect hard floors and provide exceptional maneuverability. In addition, the bumpers that surround the power heads and the soft AIRBELT bumpers that surround SEBO's canisters protect furniture, walls, and vacuum housings from incurring scuffs and scratches during use.

**Advanced, Brush-Roller Technology** – SEBO's brush rollers are uniquely designed to funnel hair and debris into the power head's airflow channel, which improves vacuum cleaning performance on all flooring surfaces.

**Changing Bags is Easy and Clean** – SEBO filter bags can be changed in just a few seconds, and a hygiene cap keeps dust sealed inside during removal and disposal.

### Save Money! SEBO Vacuums Last for Years and Extend Carpet Life! –

If properly maintained, SEBO vacuums save ordinary, residential users hundreds of dollars, by providing excellent performance for ten to fifteen years or more, and their deep-cleaning, power-brush technology extends the life of carpets. Typical vacuums perform poorly, even when new, and usually do not last beyond two years. So six or seven "disposable vacuums" must be purchased during the average life expectancy of just one SEBO machine.

**Incredible Warranty Coverage** – All SEBO models include a FREE seven-year warranty on the motor and five-years on non-wear parts and labor charges.

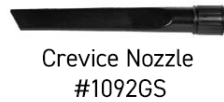
# OPTIONAL ATTACHMENTS, ACCESSORIES, BAGS & FILTERS

In addition to the standard on-board tools, a variety of optional attachments are available. The 9' 2" extension hose (extends suction hoses) and the 22" extension wand (extends instant-use wands) are very popular because they create useful tools for cleaning stairs and out-of-reach areas. These two items are sold separately or as part of multiple item attachment kits. Another popular attachment is the hand-held Turbo brush for removing

pet hair from upholstery. SEBO AeraPure™ filter bags can be purchased in boxes of eight and filters are sold separately. Also, bags and filters can be purchased together in model-specific kits called "Service Boxes." SEBO bags, filters and accessories are reasonably priced and widely available. To create a fresh scent while vacuuming, SEBO FRESH is available. To use, deposit a scented stick in the filter bag.

## Attachments

Included



Crevice Nozzle  
#1092GS



Dusting Brush  
with Horsehair  
Bristles  
#1387GS



Upholstery Nozzle  
#1491GS

Color Exceptions: X4 Black - Crevice Nozzle #1092SW & Upholstery Nozzle #1491SW

Optional  
Three-piece Kit



22" Extension Wand\*  
#1084GS



9' 2" Extension Hose\*  
#1495AM



Parquet Brush\*  
#1359GS

\*All three items are available individually or as a three-piece attachment kit, #1991AM.

Additional  
Options



Radiator Brush  
#1496GS



Flat Upholstery  
Nozzle #1090HG



Wall and Floor Brush  
#1325GS



Hand-held Turbo  
Brush #6179ER



Dusting Brush, Nylon Bristles  
#1329GS



Dusting Brush, Large  
Opening, Nylon Bristles  
#1094GS



24" Crevice Nozzle #1093JV

## Bags, Filters, Accessories and Wear Items

8 AeraPure™  
Bags\*\*  
#5093AM



Pre-motor  
S-class  
Microfilter\*\*  
#5036AM



HEPA Service Box  
contains 8 Bags, an  
Exhaust Filter,  
and a Pre-motor  
HEPA Microfilter.  
#5827AM



Sealing Strip\*\*  
12" #5400-1



Exhaust  
Filter\*\*  
#5143

Pre-motor  
Anti-odor  
Microfilter  
#5425AM



Pre-motor  
HEPA  
Microfilter  
#5812ER



\*\*Service Box  
contains 8 Bags,  
an Exhaust Filter,  
a Pre-motor Microfilter,  
and a Sealing Strip.  
#5828AM



12" Brush Roller  
#5010AM



12" Brush Roller,  
(Soft Bristle)  
#5010GE



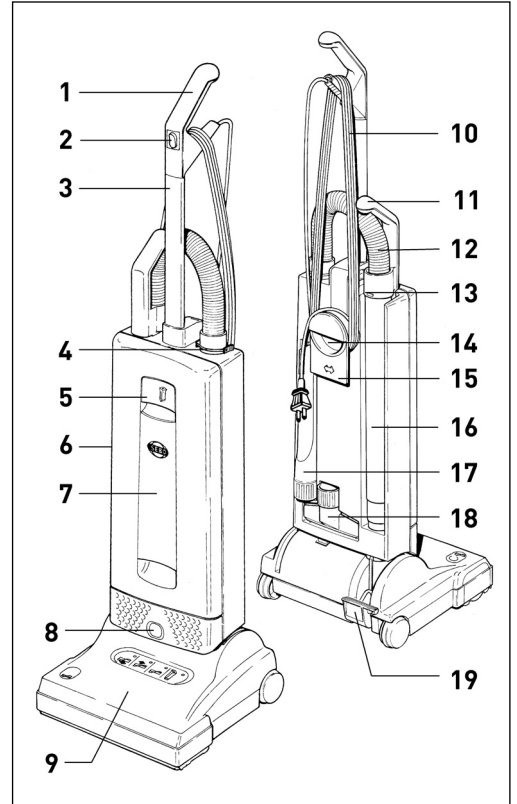
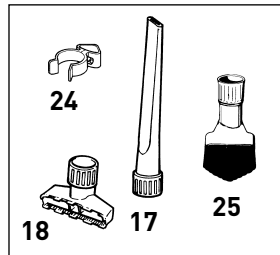
SEBO FRESH  
1 pkg. of 5  
#0496AM

# IDENTIFICATION OF PARTS

- |                           |                                 |
|---------------------------|---------------------------------|
| 1. Handle grip            | 12. Attachment hose             |
| 2. On/Off switch          | 13. Handle catch                |
| 3. Handle assembly        | 14. Carrying handle             |
| 4. Retaining ring         | 15. Cable (cord) hook           |
| 5. Cover release flap     | 16. Cleaning wand (active wand) |
| 6. Bag housing            | 17. Crevice nozzle              |
| 7. Front cover            | 18. Upholstery nozzle           |
| 8. Housing release button | 19. Foot pedal                  |
| 9. Power head with brush  | 20. Swivel neck                 |
| 10. Cable (cord)          | 21. Support lever               |
| 11. Cleaning wand handle  | 22. Protruding tab              |
|                           | 23. Connecting tube             |

## Standard Attachments

- 17. Crevice nozzle
- 18. Upholstery nozzle
- 24. Dusting brush clamp
- 25. Dusting brush



# ASSEMBLY

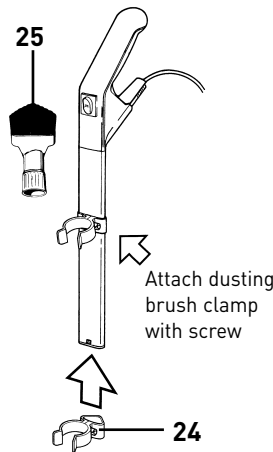
Place the power head (9) on the floor with the swivel neck (20) and the support lever (21) upright. Hold the bag housing (6) vertically and place it over the swivel neck and support lever. Push firmly and **evenly** down so that the housing release button (8) snaps outward to its "locked" position.

Slide the dusting brush clamp (24) onto the handle tube and tighten the screw. The handle of the dusting brush (25) will now snap into the clamp.

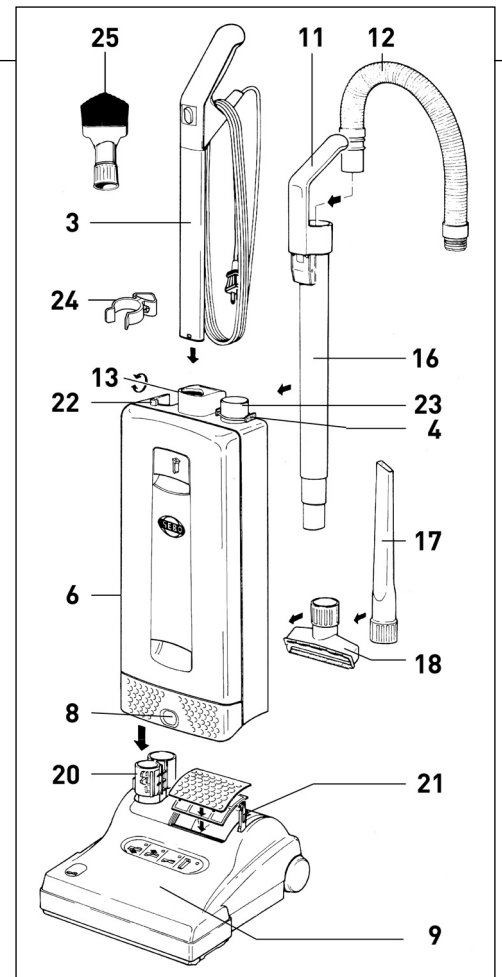
To lock the handle (3) to the bag housing (6), turn the handle catch (13) at the handle joint of the bag housing (6) forward to "open" position. Then slide the handle assembly (3) in as far as possible and lock it in by turning the handle catch to the closed position.

Push the black end of the attachment hose (12) into the connecting tube (23) so that it clicks into place. Insert the cleaning wand (16) into the swivel neck and push the handle (11) over the protruding tab (22).

Insert crevice nozzle (17) and upholstery nozzle (18) into the recesses in the back of the machine.



**NOTE:** All illustrations shown in this manual represent the X4 model except where part numbers and instructions are different for the BOOST model.



# OPERATING INSTRUCTIONS

## Starting The Machine - Figures 1 & 2

Before turning on your vacuum cleaner, make sure that the vacuum handle is in its upright locked position and that you have a firm hold on the handle grip to keep the machine from moving forward.

1. Turn the quick release cable hook (#15, figure 1) to the up position by moving it to the left or right.
2. Release the power cord plug from the power cord and lift the cord off of the upper cord hook (#26, figure 2).
3. With the switch (#2, figure 2) in the "0" (OFF) position, plug the polarized power cord into a 120 volt outlet located near the floor.

### Switch Position

- 0 = OFF
- I = ON

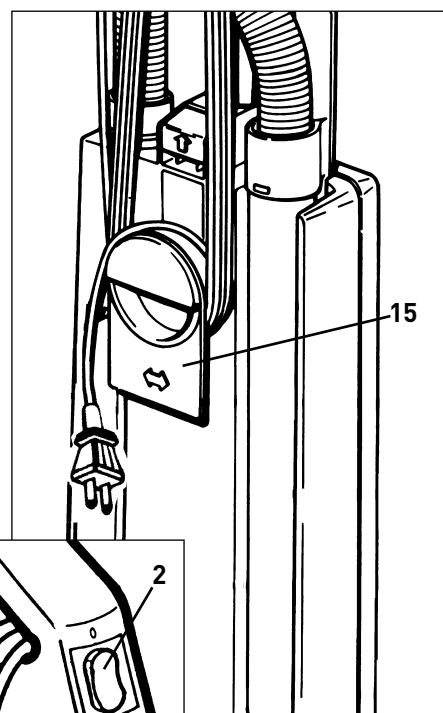


Figure 1

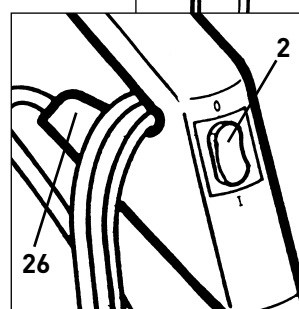


Figure 2

## Operating the Machine - Figure 3

When the machine is switched on with the handle in the upright locked position, the power head and brush automatically rise from the carpet. To release the machine from the upright locked position, press down on the foot pedal (19) and lower the handle into the normal operating position. The power head and brush will automatically lower to the appropriate height.

The handle can be lowered to an intermediate stop position in order to lift up the brush head for maneuvering over rugs, etc. To lower the handle to a horizontal position useful for vacuuming under beds, the foot pedal must be pressed a second time. The intermediate stop position can be closed off by the orange-colored slider (27) on the back of the swivel neck (20), so that the handle will go from vertical to horizontal in one movement.

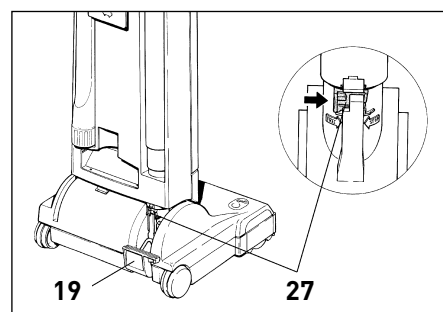


Figure 3



**WARNING!** The quality, condition, coating, texture, age and manufacturing technique of all floor surfaces vary. Therefore, upright vacuums with rotating brushes, including your SEBO, may damage some floor coverings or surfaces. Some types of high-gloss hardwood floors, cushion vinyl, berber carpets, long shag, and delicate or hand-woven carpets are particularly vulnerable to damage by rotating brushes. When possible, consult the materials supplied by your floor's manufacturer for information on proper upkeep and cleaning. **To ensure that your new SEBO vacuum cleaner is compatible with your floor, please test the vacuum cleaner on each type of flooring surface in a small inconspicuous area to determine if any damage occurs. If damage occurs, stop using the vacuum cleaner immediately!**

The standard brush roller on your SEBO vacuum is appropriate for most types of floor surfaces. However, a soft-bristle brush roller (part # 5010GE) that is designed for use on sensitive looped-pile carpets and/or hard floors is available for an additional charge. As with the standard brush roller, you should test the machine using the soft-bristle brush roller in an inconspicuous area prior to widespread use. The soft-bristle roller will wear more quickly than the standard brush roller, so it will need to be replaced more often. Also, because the bristles are softer, the height adjustment on the machine will be slightly lower than normal. **Care must be taken to ensure that the bottom of the machine does not contact the floor.** If this happens, damage to the floor could occur. **If damage occurs, stop using the vacuum cleaner immediately!**



## Using the Cleaning Wand, Hose & Attachments - Figures 4, 5 & 6

The cleaning wand (16) is useful for vacuuming corners and hard-to-reach areas. The handle grip (1) should be in the upright, locked position (**as shown in figure 4**). Grip the cleaning wand handle (11), pull it up and away from the machine and stretch out the hose (12) until it locks to the back of the tube (this locking action will prevent the hose from retracting back into the cleaning wand while it is in use). Various attachments may be inserted onto the end of the tube. After use, remove attachment and re-insert the cleaning wand into the back of the machine. **Be sure that the cleaning wand handle (11) is inserted over the protruding tab (see #22, page 7)**. If the cleaning wand handle is properly seated over the protruding tab, the hose will automatically retract and you may resume vacuuming. There is no need to turn off the vacuum while switching from upright vacuuming to using the cleaning wand or hose.

To use the hose without the cleaning wand (**as shown in figure 5**), pull the hose out of the cleaning wand while the tube is still attached to the machine and **securely seated over the protruding tab (22)**. Insert an attachment tool, if desired, onto the end of the flexible hose. You may also release the hose while the cleaning wand is disengaged from the machine by pressing the release button at the base of the handle (11).

While using attachment tools, if the power head brush roller is not able to disengage from the floor surface, the stationary-use warning light will flash. You may keep the brush roller off the carpet by placing the handle (1) in its upright locked position and lowering the handle with one hand to raise the brush roller off of the floor. Operate attachment accessories with the other hand. Or, with the handle in the upright locked position, the machine may be tipped backward so that it rests against furniture or the floor on the back side of the bag housing (6), and the power head is locked in a perpendicular position to the floor. Ensure that no children or pets can come into contact with the spinning brush roller.

To vacuum walls, under beds, or higher-reach areas, etc., the SEBO AUTOMATIC X can be fitted with an additional straight tube (45) and the wall and floor brush (41). The machine will then perform as a canister vacuum (**as shown in figure 6**).

## The Display Panel - Figure 7

- Green light (a): Brush is lowering
  - Green light (b): Brush is rising
  - Red light (c): Flashing and motor off - brush jammed - clear jam
  - Red light (c): Flashing and motor on (when machine is in upright, locked position) - Take care, brush in contact with carpet
  - Red light (c): Continuous - change brush roller
  - Red light (d): Continuous - change bag or clear clog
  - Red light (d): Flashing - motor switched off due to full bag or clog
- For more information on the display panel, see pages 4 and 5.

## Boost Function - Figure 7a

For high energy efficiency and deep cleaning of the carpet, the SEBO AUTOMATIC X4 BOOST is equipped with a boost button (46). Press the button (46) by hand to activate the boost function. Once activated, the button (46) will shine green. To deactivate the boost function, press the button (46) again.

NOTE: The boost function will be automatically deactivated when the machine is turned off. After switching on the machine again, the boost function has to be activated separately.

## The Adjustment Wheel - Figures 8 & 9

On hard floors (figure 8), the adjustment wheel (40), moves upward into the machine so that the brush lowers and becomes flush with the floor.

On carpeted floors (figure 9), the adjustment wheel (40) moves downward out of the machine so that the brush rises. The adjustment wheel moves up and down automatically to adjust the brush to the correct setting. This provides aggressive brush action, while maintaining optimal air flow.

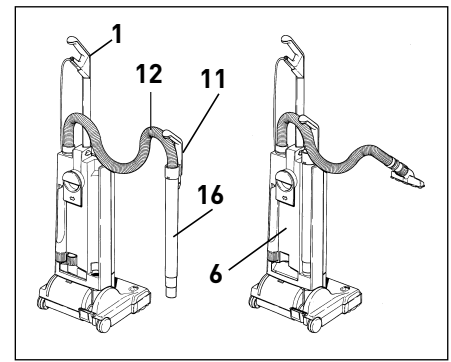


Figure 4

Figure 5

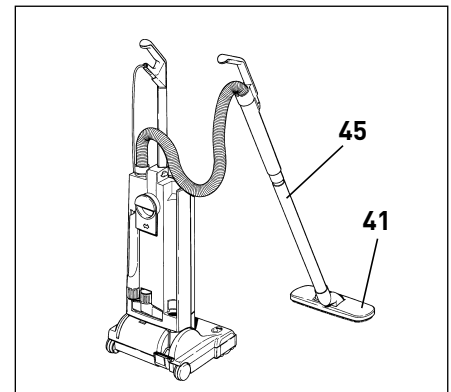


Figure 6

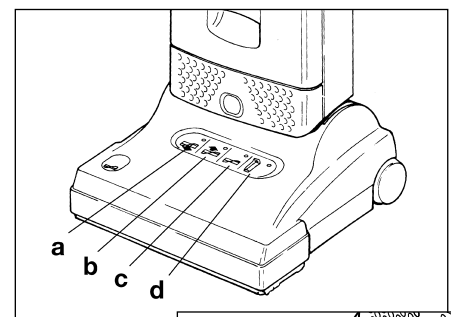


Figure 7

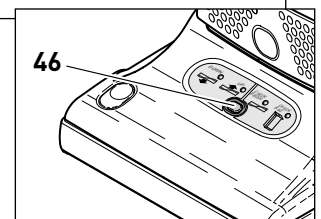
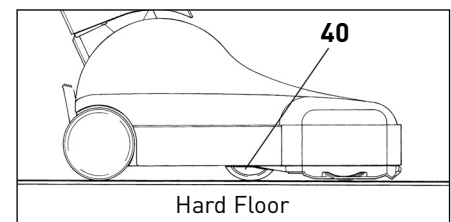
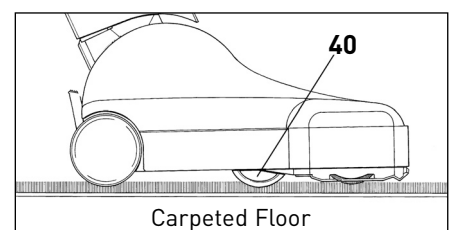


Figure 7a



Hard Floor

Figure 8



Carpeted Floor

Figure 9

# VACUUM MAINTENANCE

 **Always unplug vacuum from outlet before dismantling any part of machine!**

## Changing the Filter Bag - Figure 10

To change the filter bag, pull the cover release flap forward (#5 on page 6) and lift the cover (7) from the bag housing. **The cover release flap must remain in a forward "pulled-out" position to change filter bags and lock them into place.** Squeeze the clamps on both sides of the filter bag sealing plate, slide the plate (28) from the holder (29) and push the cap on to seal the bag. Slide the sealing plate (28) of a new bag into the holder and push it in firmly. Re-insert cover into bag housing, push it forward, then lock it in place by pushing down the cover release flap. You may find it convenient to store the bag cap inside the bag housing below the filter bag.

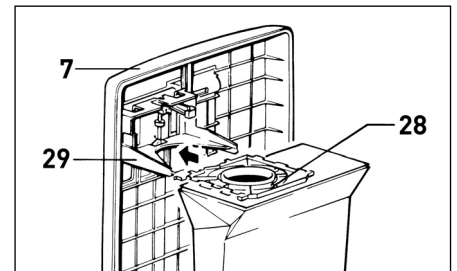


Figure 10

## Changing the Pre-motor Microfilter - Figure 11

The pre-motor microfilter (30) needs to be changed when it becomes extremely dirty or clogged with dust, or after approximately 20 filter bags have been used. To change the pre-motor microfilter, pull the cover release flap (#5 on page 6) forward and lift the cover from the filter bag housing. Then, slide the filter out at the bottom. To replace, lift the safety lever (31) and slide the new filter in using the tracks as guides.

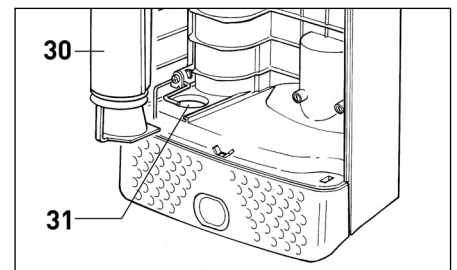
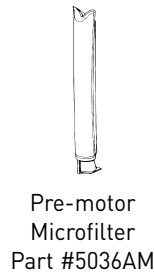


Figure 11

## Changing the Exhaust Filter - Figure 12

After 20 bags have been used, change the exhaust filter (32). To remove the exhaust filter, push the catch (33) backward and remove the filter cover (34) and exhaust filter. Insert the new filter and replace the filter cover.

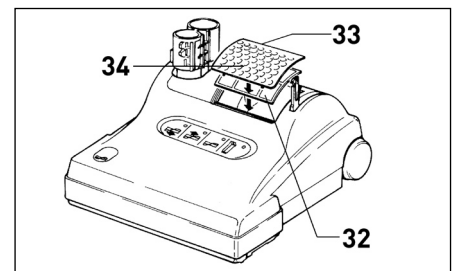


Figure 12

## Changing the Brush Roller - Figure 13

To change the brush roller (35), push the button (36), remove the side plate (37), turn the brush clockwise a quarter of a turn, and pull the old brush roller out. Slide the new brush roller into the brush housing and turn it until it locks into position. While slightly pushing the button (36), press the side plate (37) back into the locked position.

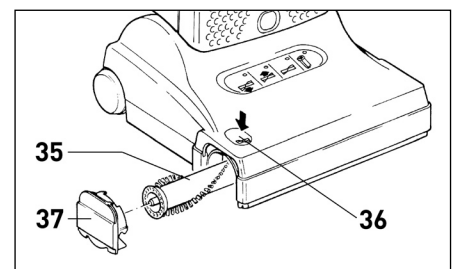


Figure 13

## Changing the Sealing Strip - Figure 14

The sealing strip (39) is located just behind the brush roller opening. The sealing strip seals the power head to hard floors to prevent kick-back of debris while vacuuming. To replace a worn sealing strip, push the release button, remove the side plate (36 and 37 in figure 13) and slide the old strip out. Insert the new strip into the slot and slide into place.

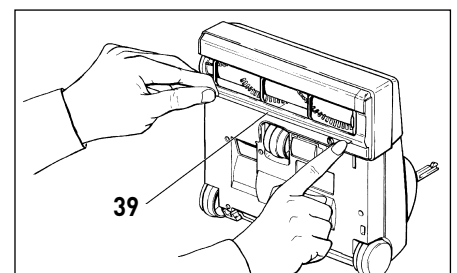



Figure 14

# CLOG REMOVAL

 **Always unplug vacuum from outlet before removing any clogs!**

## Clogs in the Airflow Pathway - Figure 15

Most clogs can be removed by accessing the airflow pathway via the orange colored access door (38) located on the underside of the power head. However, other clogs may only be removed by accessing the airflow pathway by disassembling the machine in the opposite sequence of the machine's original assembly (see assembly, page 7).

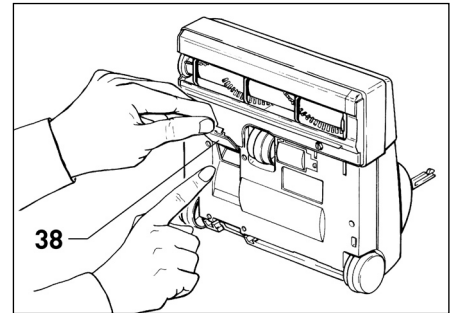


Figure 15

## Clogs in the Attachment Hose - Figure 16

Blockages in the hose can be cleared by removing the attachment hose (12) from the machine by squeezing the retaining ring (4) and inserting the opposite end of the hose in the connecting tube (23). Hold the hose upright with one hand blocking the top end and switch on the machine. If necessary, quickly lift your hand on and off the end of the hose. If this procedure does not clear the clog, a straight wire can be inserted into the hose to push out the clog. Take care not to puncture the hose with the wire.

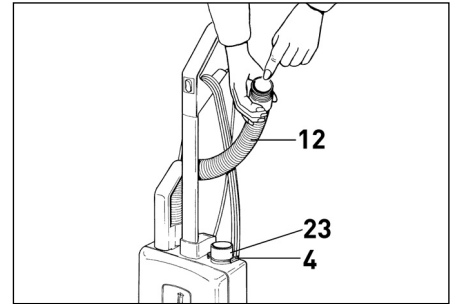


Figure 16

## Clogs in the Cleaning Wand (Active Wand) - Figure 17

Remove attachment hose (12) from the cleaning wand (16). Then, grip cleaning wand handle (11) and remove tube from the machine. A straight wire can be inserted into the tube to push out the clog.

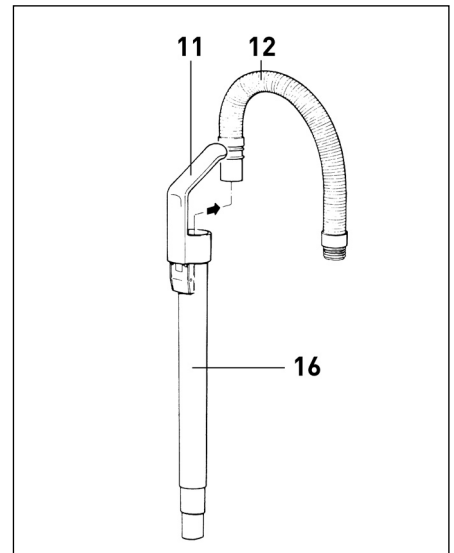


Figure 17

## Clogs in Entrance to Filter Bag - Figure 18

Remove attachment hose (12) from vacuum cleaner (see figure 16) and remove front cover (7). Clean out connecting tube (23) and/or entrance to bag (28).

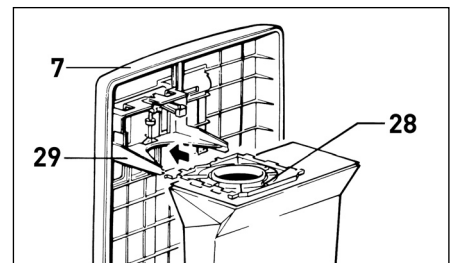


Figure 18

## Clogs in the Swivel Neck - Figure 19

Clogs in the swivel neck (20) can be removed by first pressing the housing release button (8) and lifting off the bag housing (6). Lift upward firmly and evenly to properly remove the bag housing. Then, release the foot pedal (19), lower the swivel neck, check inside the swivel neck channel closest to the foot pedal (see arrow), and clean out pathway.

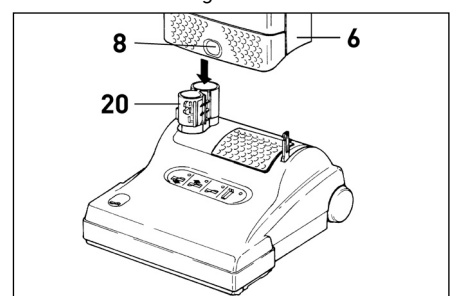


Figure 19

# TROUBLE-SHOOTING GUIDE

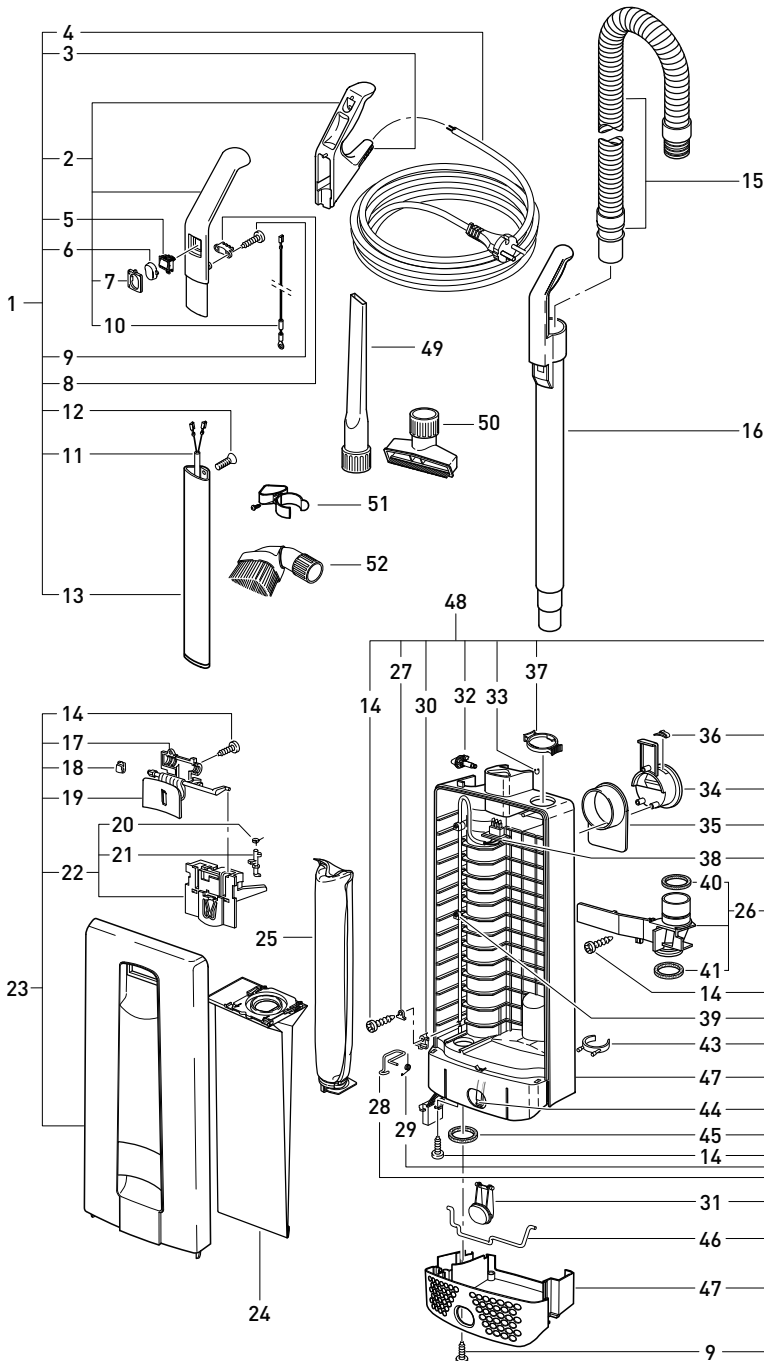


**Always unplug vacuum from outlet before dismantling any part of the machine!**

<b>PROBLEM</b>	<b>REASON</b>	<b>SOLUTION</b>
<b>Does not turn on or machine shuts off intermittently</b>	1. Handle not fully inserted into the bag housing, causing a faulty connection.	1. Release handle catch, push handle down, close handle catch. See pg. 7.
	2. Not plugged into good outlet.	2. Use another outlet.
	3. Cable worn.	3. Replace cable.
	4. Bag housing (6) not seated fully into proper "locked" position on top of power head.	4. Housing release button (8) should be snapped outward to its locked position.
<b>Bag full or clog light on or flashing &amp; machine shuts off</b>	1. Bag full.	1. Replace bag. See Bag Replacement on page 10. Also see page 4.
	2. Clog in airflow pathway, attachment hose, cleaning wand, swivel neck or entrance to filter bag.	2. See Clog Removal on page 11. Also see page 4.
	3. Microfilter dirty.	3. Replace microfilter. See page 10.
<b>Brush light on</b>	1. Brush worn.	1. Replace brush. See page 10. Also see page 4.
<b>Brush light slowly flashing</b>	1. Vacuum is stationary and in upright locked position.	1. See page 8. Also see page 5.
<b>Brush light flashing &amp; machine shuts off</b>	1. Brush jammed.	1. Shut off the power switch, unplug the machine and pull the obstruction from the brush roller. Also see page 4.
<b>Up &amp; down lights flicker</b>	1. Operating on uneven floor.	1. Ignore.
<b>Does not pick up</b>	1. Cleaning wand not properly inserted.	1. Reinsert cleaning wand, making sure lower end of tube is in the lower hole and handle is properly seated over the protruding tab (22).
	2. Front cover not closed.	2. See below.
<b>Front bag door won't fully close</b>	1. Cover release flap not fully closed.	1. Reinsert bag. Lock the cover release flap down firmly.
	2. Bag not inserted properly	2. Reinsert bag with cover release flap (5) up, until firmly latched in bag holder (see pg. 10 figure 10).
	3. Microfilter not properly inserted.	3. Lift safety lever and insert filter with vertical plastic ridge on filter facing you (see pg. 10, figure 11).
<b>Hose doesn't retract after cleaning wand is inserted</b>	1. Cleaning wand not properly inserted.	1. Reinsert making sure top of handle is pointing back and tube is fully seated on the protruding tab (22) on top of the bag housing (see pg. 7).

# AUTOMATIC X4 SCHEMATIC AND PARTS LIST

#9570AM AUTOMATIC X4 - Arctic White/Gray  
 #9501AM AUTOMATIC X4 - Onyx/Silver  
 #90505AMAUTOMATIC X4 BOOST - Dark Red  
 #90506AMAUTOMATIC X4 BOOST - Arctic White



## Bag Housing and Handle

### #9570AM AUTOMATIC X4, #90506AM AUTOMATIC X4 BOOST Arctic White/Gray Machines

Pos.	Part #	Description
1	5642AM	Handle complete, gray black/white (incl. pos. 2 -13)
2	5297GSAM	Handle grip (incl. pos. 3, 7+10)
3	5359GS1	Grommet
4	5450DG	Power supply cord
5	05113	Switch w/screws
6	5160WE	Switch cap, arctic white
7	5161GS	Switch cap holder
8	5162	Cable clamp
9	0103	Screw C 3.9x16 DIN 7981
10	5253UL	Wire-antistatic
11	5298ER	Handle cable
12	0129	Screw M 4x12 DIN 966
13	5187	Handle tube
14	0102	Screw F 3.9x13 DIN 7981
15	5040SB	Hose, cpl.
16	5045GS	Cleaning wand
17	5707WE	Cover, arctic white
18	5319	Bag holder spring
19	5706GS	Cover release, gray black
20	5091	Safety catch spring
21	5360	Safety catch
22	5324	Bag holder cpl. (incl. pos. 20+21)
23	50750SE	Front cover complete (14, 17-22), arctic white/gray black
	5454	Front cover seal
24	5093AM	AeraPure™ filter bag pack
25	5036AM	Pre-motor microfilter
26	5380GS	Internal cover cpl. (incl. pos. 40+41)
27	1073	Clamp
28	5208	Filter safety catch
29	5210	Return spring
30	5164	Cable clamp
31	5722GS	Bag housing locking catch, gray black
32	1859GS	Handle catch, gray black
33	0161	Clip 4, DIN 6799
34	5721WE	Carrying handle, white
35	5703WE	Cable hook, white
36	5146	Stop spring
37	5424GS1	Retaining ring
38	5299ER	Internal cable
39	5266	Cable clamp
40	5842	Seal
41	5289	Seal
43	1823GS	Attachment clip, gray black
44	5084	Spring for locking rod
45	5163	Seal
46	5083	Locking rod
47	5702WE	Bag housing bumper base, white
48	5755WE	Bag housing, cpl., arctic white/gray black (incl. pos. 9, 14, 26-47)
49	1092GS	Crevice nozzle
50	1491GS	Upholstery nozzle
51	5460GS	Mounting clip with screw
52	1387GS	Dusting brush

### #9501AM AUTOMATIC X4 Onyx/Silver Machine Exceptions

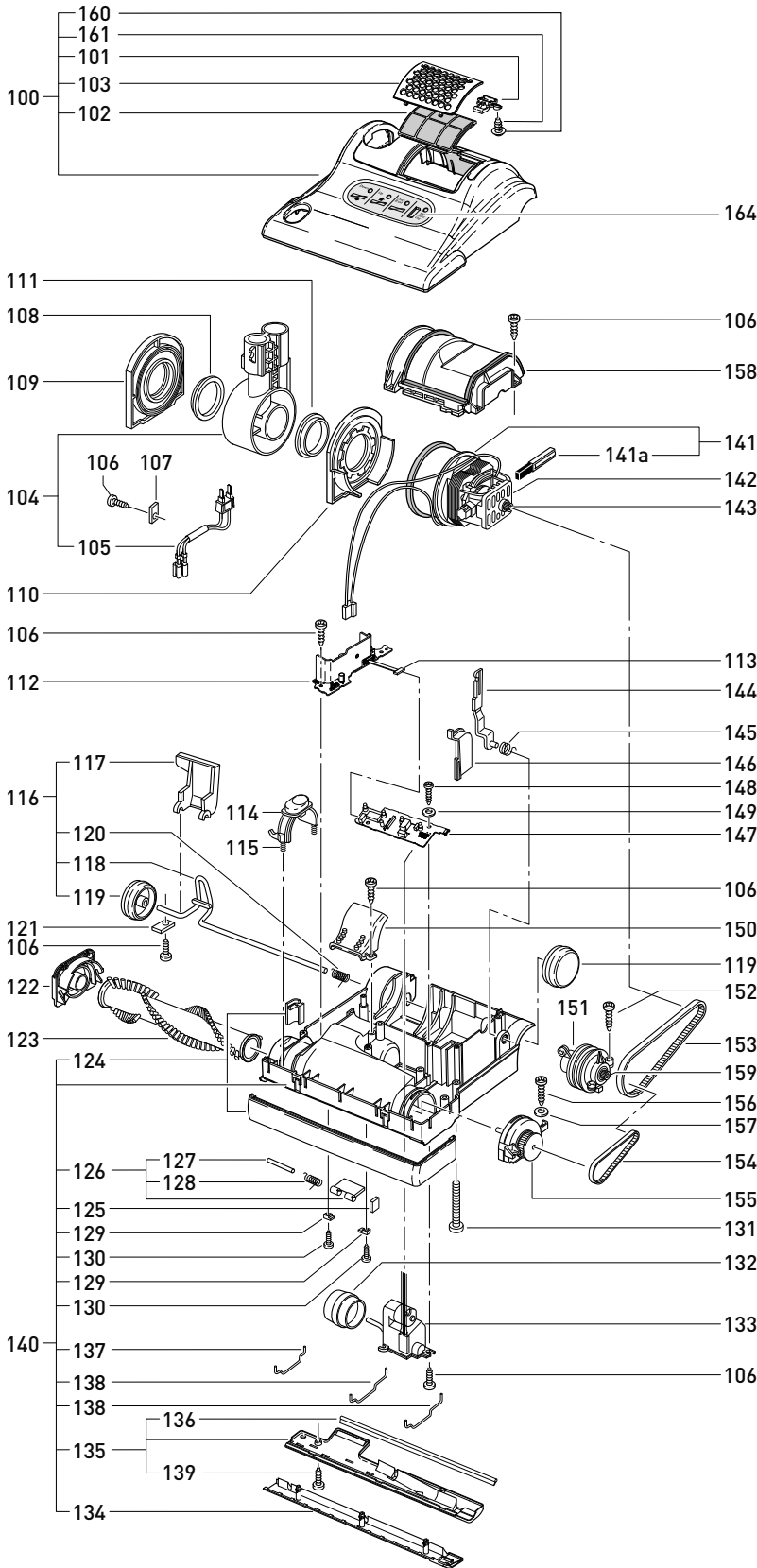
1	5640AM	Handle complete, black/silver
2	5295AM	Handle grip
3	5359SW1	Grommet
6	5160SB	Switch cap, silver
7	5161SW	Switch cap holder, black
16	5045SW	Cleaning wand, black
17	5707SW	Cover, black
19	5706SB	Cover release, silver
23	5774SE	Front cover complete, black/silver
26	5380SW	Internal cover
31	5722SB	Bag housing locking catch, silver
32	1859SB	Handle catch, silver
34	5721SW	Carrying handle, black
35	5703SW	Cable hook, black
37	5424SB1	Retaining ring
43	1823SW	Attachment clip, black
47	5702SW	Bag housing bumper base, black
48	5763SW	Bag housing complete, black
49	1092SW	Crevice nozzle, black
50	1491SW	Upholstery nozzle, black

### #9558AM AUTOMATIC X4, #90505AM AUTOMATIC X4 BOOST Dark Red Machine Exceptions

Pos.	Part #	Description
1	5645AM	Handle complete, red/gray black
6	5160DR	Switch cap, red
17	5707DR	Cover, red
23	50751SE	Front cover complete, red/gray black
34	5721DR	Carrying handle, red
35	5703ER	Cable hook, red
47	5702GS	Bag housing bumper, gray black
48	5755DR	Bag housing complete, red/gray black

# AUTOMATIC X4 SCHEMATIC AND PARTS LIST

#9570AM AUTOMATIC X4 - Arctic White/Dark Gray  
 #9501AM AUTOMATIC X4 - Onyx/Silver



## Power Head

### #9570AM AUTOMATIC X4 Arctic White/Dark Gray Machine

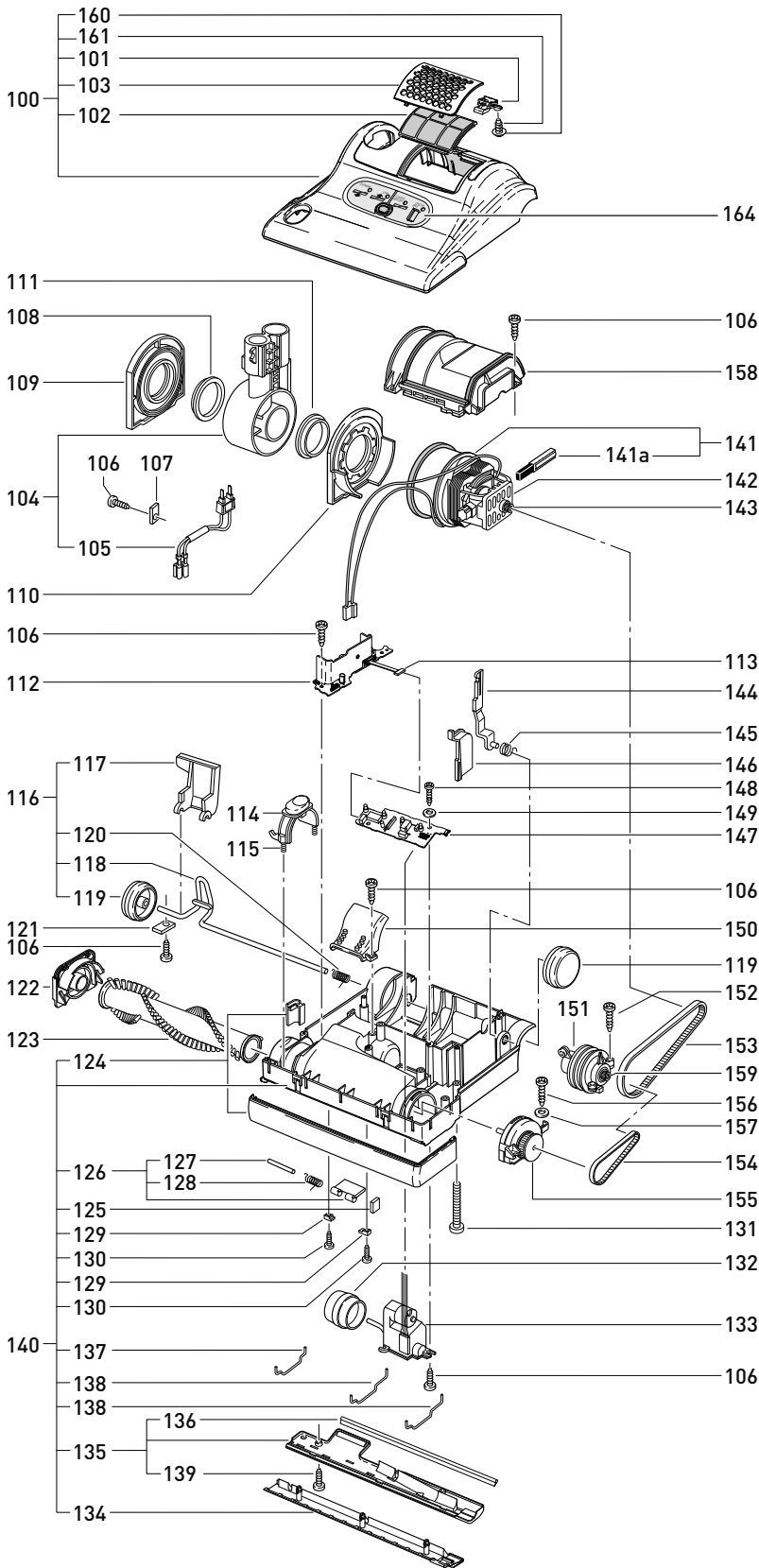
Pos.	Part #	Description
100	5781SE	Power head cover, complete (incl. pos. 101-103, 160, 161, 164), white/gray black
101	5712WE	Exhaust filter catch, white
102	5143	Exhaust filter
103	5711WE	Exhaust filter cover, white
104	5729UL 5328OR	Swivel neck assembly incl. 105-108, 111 & Slider
105	5176UL	Male contact holder
106	0102	Screw F 3.9 x 13 DIN 7981
107	2494	Cable clamp
108	5101	Swivel neck bearing r. h.
109	5480	Swivel neck support r. h.
110	5479	Swivel neck support l. h.
111	5717	Swivel neck bearing l. h.
112	5850ER	Power supply & computer controller kit
113	5205/1	Ribbon cable set
114	5713WE	Brush roller release, arctic white
115	5103	Spring
116	5051GS	Axle, assembly (117-120)
117	5059OR	Foot pedal, orange
118	5053	Axle
119	5819GS	Wheel
120	2010	Axle spring
121	2014	Axle clamp
122	5031WE	Bearing block right hand, white/gray black
123	5010AM	Brush roller
124	5005GS	Bumper set
125	5155GS	Rubbing plate
126	5172OR	Access door (incl. pos. 127, 128)
127	5303	Access door axle
128	5304	Access door spring
129	5154GS	Hinge
130	0100	Screw C 2.9 x 9.5 DIN 7981
131	0176TL	Screw AM 4 x 30 DIN 7985 TL
132	5174GS	Pile adjustment wheel
133	5060ER	Servo motor with gear box
134	5411GS	Front bottom plate, complete
135	5412GS	Rear bottom plate, complete (incl. pos. 136, 139)
136	5400-1	Sealing strip
137	5401	Wire tie, short
138	5402	Wire tie, long
139	0197	Screw M 4 x 12
140	5482GS	Chassis cpl. (124-130, 134-139)
141	5468	Vacuum motor 1300 W 120 V (142, 143)
142	05117S	Carbon brush set for vac motor
143	5100	Rubber mounting
144	5462	Motor pulley
145	5129	Support lever
146	5107-1	Support spring
147	5112SW	Motor pulley cover
148	5850ER	Power supply & computer controller kit
149	0107	Screw C 2.9 x 13 DIN 7981
150	0143	Washer 3.2 DIN 125
151	5173SW	Cover for air channel
152	5464	Sensor w/screws and pulley
153	0104	Screw C 3.9 x 25 DIN 7981
154	5463	Opti-belt/Omega 2MR-310-6
155	5110	Belt 219 3M HTDII-6
156	5766HG	Bearing block l. h., complete
157	0103	Screw C 3.9 x 16 DIN 7981
158	0141	Locking washer
159	5018UL	Motor cover
160	5117/1	Sensor pulley
161	0103	Screw C 3.9 x 16 DIN 7981
162	0141	Locking washer
164	5730GS	Display, gray black

### #9501AM AUTOMATIC X4 Onyx/Silver Machine Exceptions

100	50783SE	Power head cover, complete (incl. pos. 101-103, 160, 161, 164), onyx/silver
101	5712GS	Exhaust filter catch, gray black
103	5711SW	Exhaust filter cover, onyx
114	5713SW	Brush roller release, onyx
122	5031SW2	Bearing block right hand
164	5730SB	Display, silver

# AUTOMATIC X4 BOOST SCHEMATIC AND PARTS LIST

#90506AM AUTOMATIC X4 BOOST - Arctic White  
 #90505AM AUTOMATIC X4 BOOST - Dark Red



## Power Head

### #90506AM AUTOMATIC X4 BOOST Arctic White Machine

Pos.	Part #	Description
100	50799WE	Power head cover, complete X4 BOOST (incl. pos. 101-103, 160, 161, 164), arctic white/gray black
101	5712GS	Exhaust filter catch, gray black
102	5143	Exhaust filter
103	5711GS	Exhaust filter cover, gray black
104	5729UL 5328OR	Swivel neck assembly incl. 105-108, 111 & Slider
105	5176UL	Male contact holder
106	0102	Screw F 3.9 x 13 DIN 7981
107	2494	Cable clamp
108	5101	Swivel neck bearing r. h.
109	5480	Swivel neck support r. h.
110	5479	Swivel neck support l. h.
111	5717	Swivel neck bearing l. h.
112	5850ER	Power supply & computer controller kit
113	5205/1	Ribbon cable
114	5713GS	Brush roller release, gray black
115	5103	Spring
116	5051GS	Axle, assembly (117-120)
117	5059OR	Foot pedal, orange
118	5053	Axle
119	5819GS	Wheel
120	2010	Axle spring
121	2014	Axle clamp
122	5031WE	Bearing block right hand, gray black
123	5010AM	Brush roller
124	5005GS	Bumper set
125	5155GS	Rubbing plate
126	5172OR	Access door (incl. pos. 127 + 128)
127	5303	Access door axle
128	5304	Access door spring
129	5154GS	Hinge
130	0100	Screw C 2.9 x 9.5 DIN 7981
131	0176TL	Screw AM 4 x 30 DIN 7985 TL
132	5174GS	Pile adjustment wheel
133	5060ER	Servo motor with gear box
134	5411GS	Front bottom plate, complete
135	5412GS	Rear bottom plate, complete (incl. pos. 136 + 139)
136	5400-1	Sealing strip
137	5401	Wire tie, short
138	5402	Wire tie, long
139	0197	Screw M 4 x 12
140	5482GS	Chassis cpl. (124-130 & 134-139)
141	5468	Vacuum motor 1300 W 120 V (142 & 143)
142	05117S	Carbon brush set for vac motor
143	5100	Rubber mounting
144	5462	Motor pulley
145	5129	Support lever
146	5107-1	Support spring
147	5112SW	Motor pulley cover
148	5850ER	Power supply & computer controller kit
149	0107	Screw C 2.9 x 13 DIN 7981
150	0143	Washer 3.2 DIN 125
151	5173SW	Cover for air channel
152	5464	Sensor w/screws and pulley
153	0104	Screw C 3.9 x 25 DIN 7981
154	5463	Opti-belt/Omega 2MR-310-6
155	5110	Belt 219 3M HTDII-6
156	5766HG	Bearing block l. h., complete
157	0103	Screw C 3.9 x 16 DIN 7981
158	0141	Locking washer
159	5018UL	Motor cover
160	5117/1	Sensor pulley
161	0103	Screw C 3.9 x 16 DIN 7981
162	0141	Locking washer
163	5799GS	Display, gray/black

### #90505AM AUTOMATIC X4 BOOST Dark Red Machine Exceptions

100	50799DR	Power head cover, complete X4 BOOST (incl. pos. 101-103, 160, 161, 164), dark red/gray black
164	5799GS	Display, gray/black

# NOTES