

ASSEMBLY INSTRUCTION

Item: 6150-10061-85 Desk Top End Panel







Setup Applications:(all not pictured below)

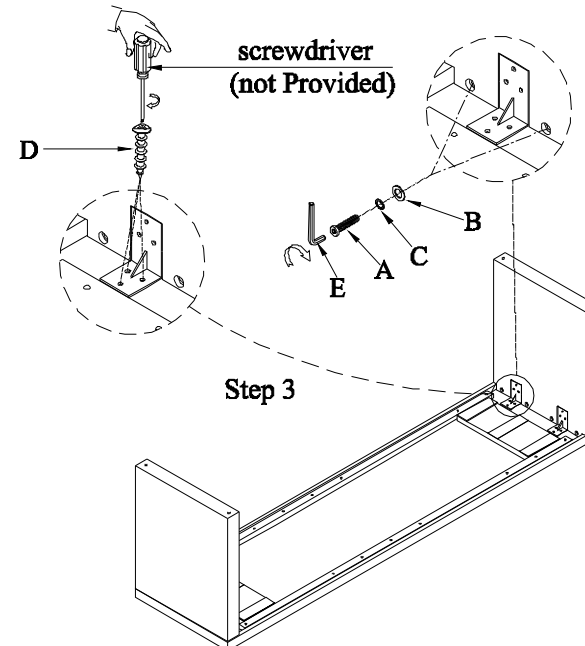
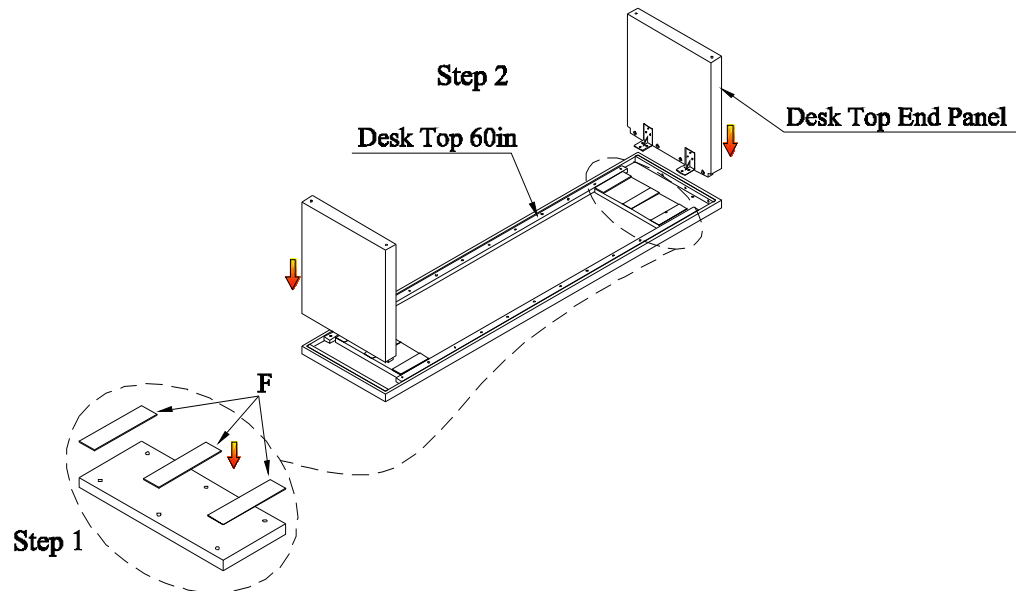
10903	10906	10907	10908	10912	10914	10915	10916	10917	10924	10925	10926	10927	10928	10945	10946	10947	10952	10953
Includes:	Includes:	Includes:	Includes:	Includes:	Includes:	Includes:	Includes:	Includes:	Includes:	Includes:	Includes:	Includes:	Includes:	Includes:	Includes:	Includes:	Includes:	Includes:
10072	10072	10072	10072	10084	10084	10084	10084	10084	10096	10096	10096	10096	10096	10096	10096	10096	10060	10060
10061	10061	10061	10061	10061	10061	10061	10061	10061	10061	10061	10061	10061	10061	10061	10061	10061	10061	10061
	10416	10413	10466		10416	10416	10413	10466	10416	10413	10466	10416	10416	10466	10416	10413		10416

Thank you for purchasing this quality product. Be sure to unpack carefully looking for small parts which may have come loose during shipment

Read all instructions and study the drawings carefully before starting the assembly process.

HARDWARE PACK

NO	DRAWING	DESCRIPTION	SIZE	Q'TY
A		Hexagonal Bolt	Ø1/4"*2"	16pcs
B		Flat Washer	Ø1/4"*16*2	16pcs
C		Lock Washer	Ø1/4"*12*3	16pcs
D		Screw	8#*3/4"	12pcs
E		Allen Wrench	4mm	1pc
F		Glass support 3M	205*50*2	6pcs



Adjust levelers if needed, to level case on uneven floor

Step 4

