

XO

PUT SOME AWESOME
IN YOUR BACKYARD

XOGRILL30

30" PRO GRADE LUXURY GRILL

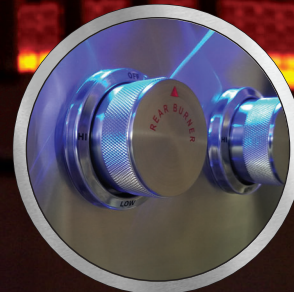
30"



304 Stainless Steel
carts and
insulated jackets
for custom build-in
available



Advanced burner
and briquette
design distributes
even heat



Powerful LED
control and
Halogen interior
illumination

YOUR XO PRO GRADE LUXURY GRILL

Your XO is loaded with unique features designed to help enhance your grilling experience including an advanced ceramic briquette / flame tamer system to reduce flare-ups and partitioned burner zones for improved heat distribution and precise cooking.

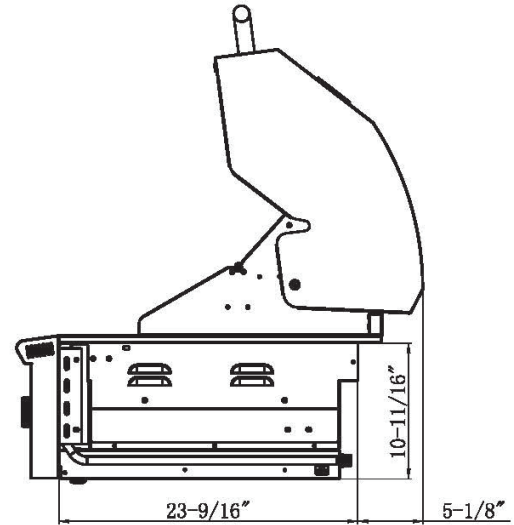
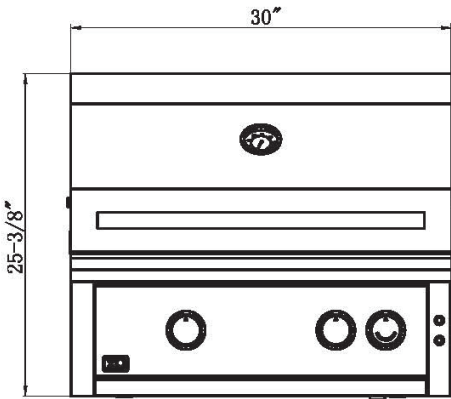
The improved InfraRed Sear Burner quickly adjusts from 250° to 1,100° F to sear like a steakhouse, or prepare delicate dishes easily. XO is waiting to help you channel your inner chef.

www.xoappliance.com

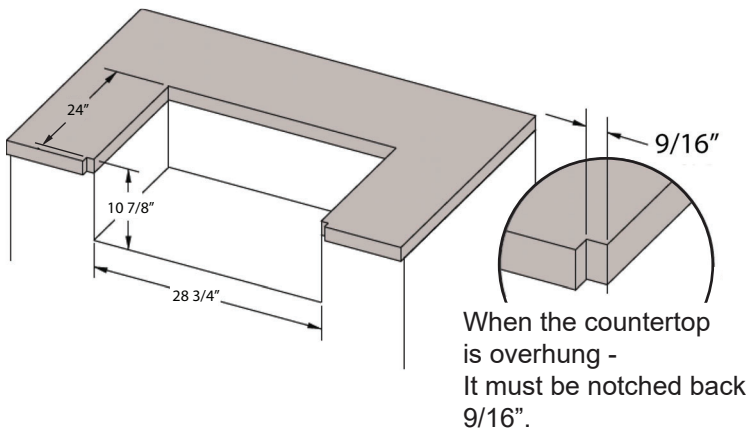
MODEL: XOGRILL30__

30" PRO GRADE LUXURY GRILL

*Specify **N** for natural gas, **L** for liquid propane



ROUGH-IN



When installing, observe all clearances between the grill and adjacent structures as detailed in the Operating and Instruction manual.

Failure to do so may create a serious risk of fire or injury.

SPECIFICATIONS

Size	30"
Dimensions	30"W x 23 9/16"D x 25 3/8"H
Installation Type	Built-in / Freestanding
Fuel	Specify Natural Gas or Propane
Burners	Two (2) @ 22,000 BTUs each 1 Cast Stainless H Burner 1 InfraRed Sear Burner One (1) InfraRed Rear Burner
Electrical	115V (for lighting)

OPTIONAL ACCESSORIES

CART	P/N: XOG30CART
INSULATED JACKET	P/N: XOG30JACKET

When installing any cooking appliance in a location where combustible materials are used an insulated jacket must be installed.

XOGGRILL30_SPECreva
9/2019
Not responsible for typographical errors or misprints

XO the next level
in luxury appliances
www.xoappliance.com



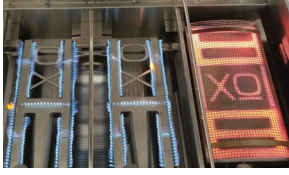
XO is exclusively distributed through
EASTERN MARKETING CORP.
24 Eisenhower Parkway, Roseland, NJ 07068
p. 973.403.8900

NOW YOU'RE COOKIN' XO



THE RIGHT HEAT

EACH BURNER COMPARTMENT IS SEGMENTED SO YOU CAN DISPLAY YOUR TALENTS BY COOKING AT DIFFERENT TEMPERATURES SIMULTANEOUSLY.



0 - 1000°

THE XO INFRARED BURNER CAN REACH 1000°F IN ABOUT ONE MINUTE TO SEAR LIKE A STEAKHOUSE.



SEAMLESS - 304 STAINLESS

HEAVY DUTY, WELDED STAINLESS CONSTRUCTION AND SOLID CAST STAINLESS BURNERS DESIGNED TO RESIST THE ELEMENTS AND CORROSION.



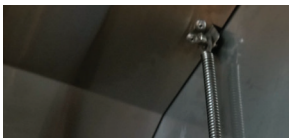
FLAME THROWER IGNITION

POSITIVE IGNITION WITHOUT AN ELECTRICAL CONNECTION.



HOT GRILL - COOL LEDS

LEDS DRAMATICALLY ACCENT YOUR ENTERTAINING.



RAISING THE BAR

THE 304 STAINLESS WELDED HOOD IS EQUIPPED WITH SPRING ASSIST TO OPERATE EFFORTLESSLY.



CERAMIC BRIQUETTES

THE INVERTED CUP SHAPED CERAMIC BRIQUETTES TRANSFER HEAT QUICKLY TO VAPORIZE DRIPPINGS FOR ADDED FLAVOR AND TO REDUCE FLARE UPS.



ONE GOOD TURN

XO GRILLS COME WITH THE INFRARED ROTISSERIE BURNER FOR INDIRECT COOKING, WATERPROOF MOTOR AND SPIT TO ACCOMMODATE UP TO 25LBS.



HEAVY WELDED GRATES

HEAVY DUTY WELDED 304 STAINLESS GRATES HOLD THE HEAT FOR STRONG GRILL MARKS.

XO HAS THE BEST WARRANTIES AND SERVICE...

