

EST. *B* 1991

BRAMBLE

PRODUCT TEARSHEET



# Renoir Rattan Bedside

---

Shown in: **RNAT FRW**

SKU: **27912**

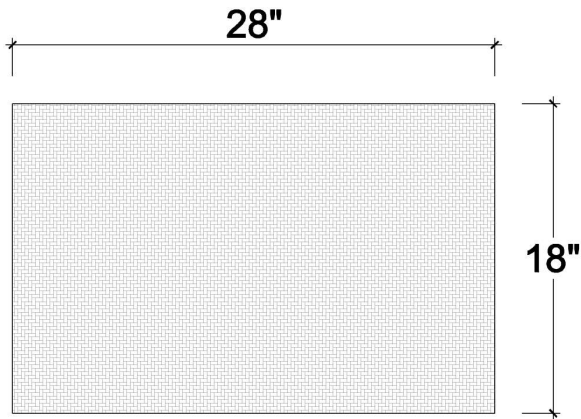
Size: **28W x 18D x 31H in**



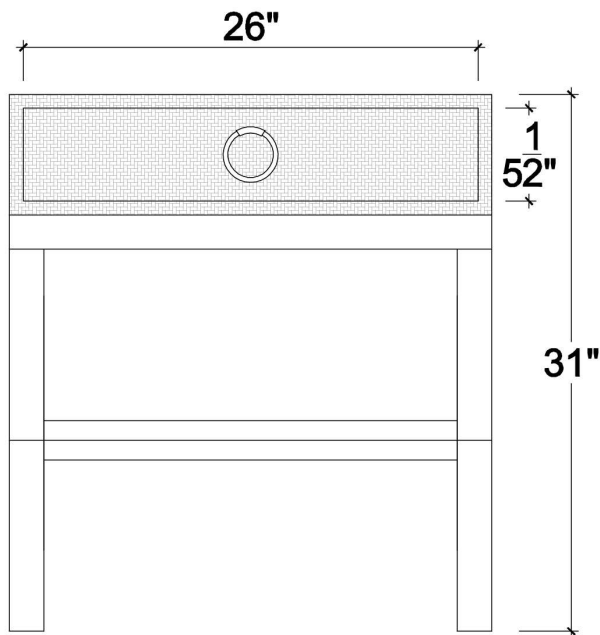
# Overview

---

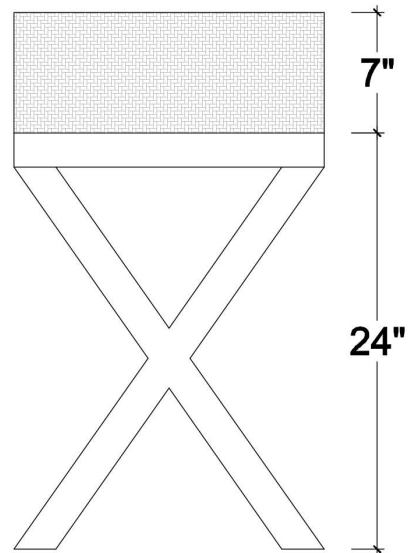
Renoir Rattan Bedside



TOP VIEW



FRONT VIEW



SIDE VIEW

# Visual Highlights

---





## Technical Specification

---

Dimensions	<b>28W x 18D x 31H in</b>	CBM	<b>0.30821</b>
Number of Packages	<b>1</b>	Cubic Feet	<b>10.88 ft<sup>3</sup></b>
Package 1 Dimensions	<b>29.1 x 19.3 x 33.5 in</b>	Net Weight	<b>35.27 lbs</b>
Package Weight Total <b>41.89 lbs</b>			
Material	<b>Mahogany</b>		

<https://www.brambleco.com/27912>

---