

33" Counter-Depth 2-Door Refrigerator



BOSCH

100 Series – Stainless Steel B33CM10SNS



B33CM10SNS
Stainless Steel

33" 100 Series 2-Door Bottom Freezer Refrigerator, Counter-Depth, Stainless Steel, Bar Handle.

Features & Benefits

Say goodbye to smudges and fingerprints with anti-fingerprint stainless steel.

Bright LED lighting illuminates the entire fridge interior.

Door Open Alarm reminds you if the door is not closed properly.

Convenient internal control panel displays fridge and freezer temperature settings.

Dimensions and Weight

Overall width (inches)	31 1/4"
Overall height (inches)	69 1/8"
Overall depth with doors and handles (inches)	28 1/4"
Overall depth without doors and handles (inches)	23 5/8"
Overall depth with doors open 90° (inches)	56"
Required cutout size (HxWxD) (inches)	70" x 33" x 25"
Net Weight /Gross Weight (approx.) (lbs.)	202 / 216

Style

Color	Stainless Steel
Door handle type	Bar handle
Interior finish	White
Counter depth	Yes
Reversible door	Yes

Performance

Modes	Normal, Eco, Demo, SuperCool, SuperFreeze®
VitaFresh®	No
Evaporators / Compressors	1/1
QuickIce Pro®	No
Automatic defrosting	Yes
Internal water dispenser	No

Capacity and Storage

Total capacity (cu. ft.)	17.2
Refrigerator capacity (cu. ft.)	12.15
Freezer capacity (cu. ft.)	4.95
Full-extension freezer storage drawer	1
2-tiered freezer drawer	Yes
Full-width chiller drawer	1
Full extension crisper drawers	1

Storage shelves	3 Adjustable, 1 Fixed
Small door bins	4 Adjustable
Large gallon door bins	1

General Features

Anti-fingerprint stainless steel	Yes
Internal control panel	Yes (Digital)
Ice maker	Yes
Ice production (24 hrs.), ice cubes (lbs.)	2.65
Ice storage capacity (lbs.)	5.5
LED interior and drawer lighting	Yes (Fridge only)
Independent cooling systems	1
Cooling system	MultiAirFlow™
Maximum sound level	41 dBA
Door Open Alarm	Yes
Wi-Fi-enabled for control with Home Connect® app	No

Energy Efficiency

Energy consumption (kWh/yr)	537
ENERGY STAR® Certified	Yes

Technical Specs

Required power supply	110-120 V, 60 Hz, 15 Amp
Plug type	120V-3 Prong
Power cord length (inches)	67"

Operating Temperature

Refrigerator:	34°F (2°C) to 44°F (7°C)
Freezer Drawer:	-3°F (-19°C) to 7°F (-14°C)
SuperCool:	34°F (1°C) for approx. 3 Hours
SuperFreeze®:	-11°F (-24°C) for approx. 52 Hours

Warranty

Limited warranty, parts & labor	1 Year
---------------------------------	--------



Accessories: To purchase Bosch accessories, cleaners & parts please visit www.bosch-home.com/us/store or call 1-800-944-2904 (Mon to Fri 5 am to 6 pm PST, Sat 6 am to 3 pm PST).

Notes: All height, width and depth dimensions are shown in inches. BSH reserves the absolute and unrestricted right to change product materials and specifications, at any time, without notice. Consult the product's installation instructions for final dimensional data and other details prior to making cutout.

Warranties: Please see Use & Care manual or Bosch website for statement of limited warranty.

For more information on our entire line of products, go to www.bosch-home.com/us or call 1-800-944-2904

© BSH Home Appliances Corporation. All rights reserved. Bosch is a registered trademark of Robert Bosch GmbH.

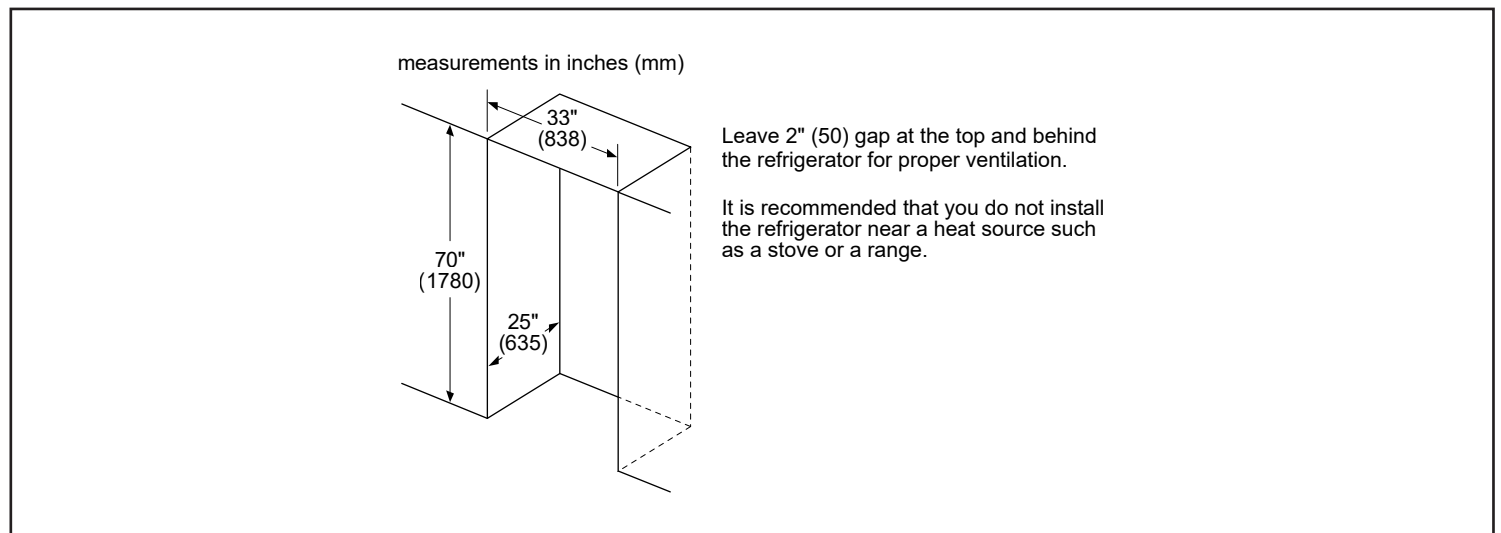
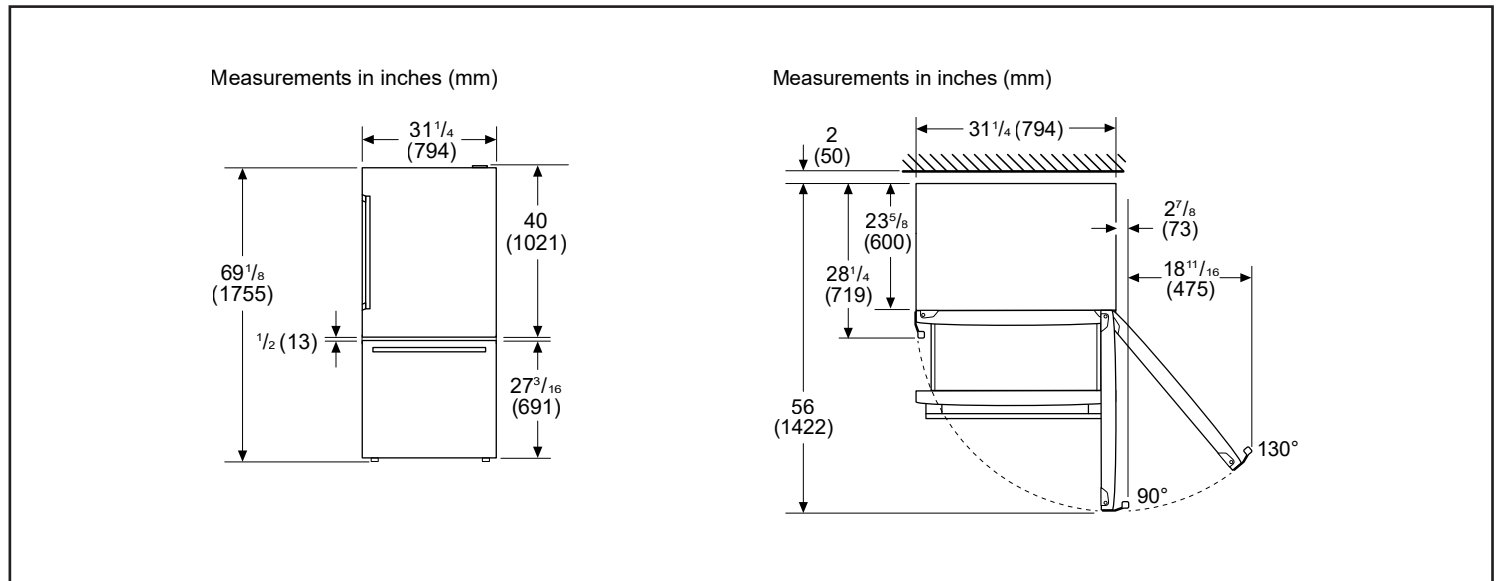
33" Counter-Depth 2-Door Refrigerator



BOSCH

100 Series – Stainless Steel B33CM10SNS

Installation Details



Accessories: To purchase Bosch accessories, cleaners & parts please visit www.bosch-home.com/us/store or call 1-800-944-2904 (Mon to Fri 5 am to 6 pm PST, Sat 6 am to 3 pm PST).

Notes: All height, width and depth dimensions are shown in inches. BSH reserves the absolute and unrestricted right to change product materials and specifications, at any time, without notice. Consult the product's installation instructions for final dimensional data and other details prior to making cutout.

Warranties: Please see Use & Care manual or Bosch website for statement of limited warranty.

For more information on our entire line of products, go to www.bosch-home.com/us or call 1-800-944-2904

© BSH Home Appliances Corporation. All rights reserved. Bosch is a registered trademark of Robert Bosch GmbH.