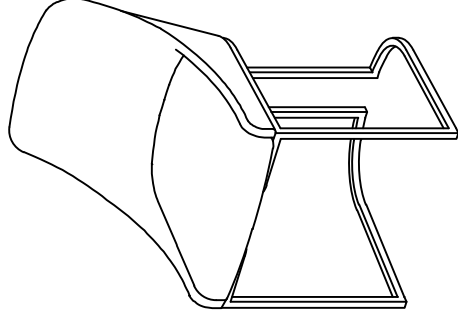
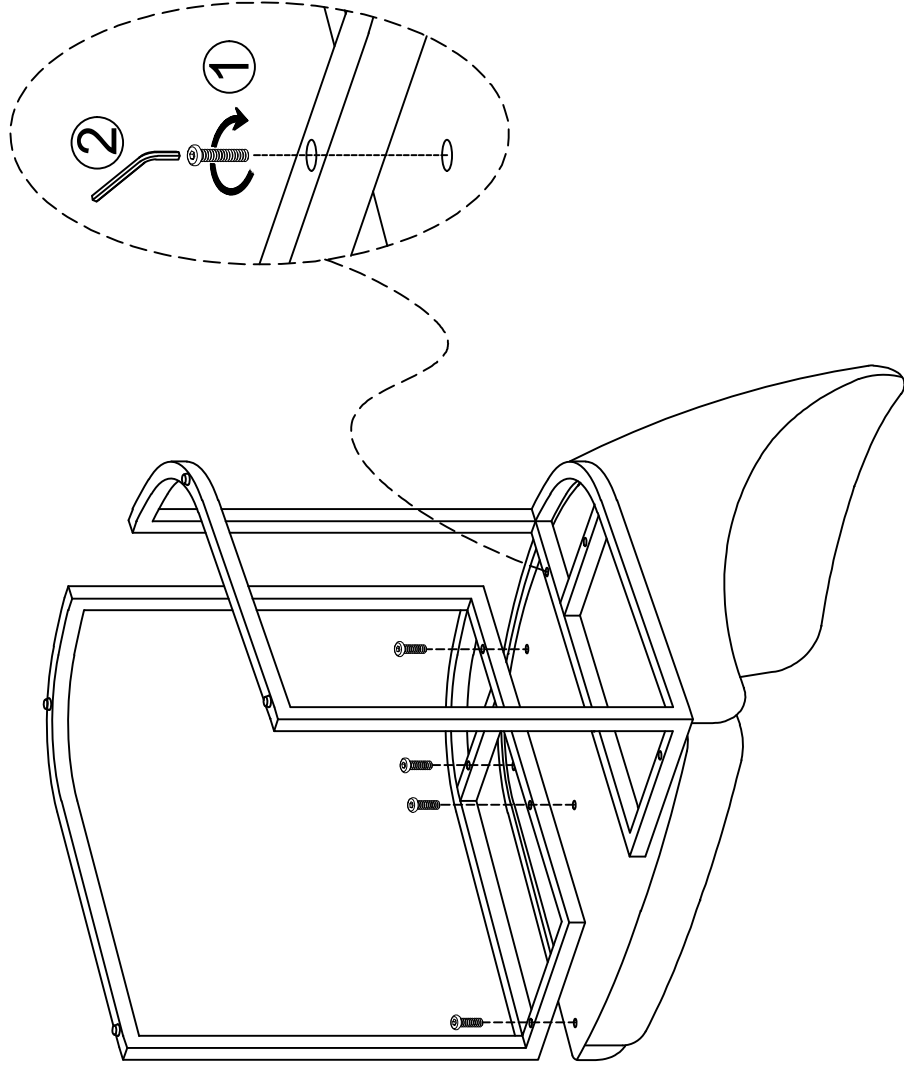

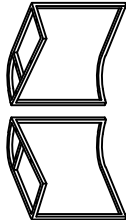
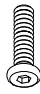



ASSEMBLY INSTRUCTIONS INSTRUCCIONES

STEP 1 / PASO 1



PARTS LIST / LISTA DE PARTES

CHAIR SEAT		2
LEG (LEFT-RIGHT)		4
		16 φ1/4"-20 x 1-1/4" FOR CHAIR LEG
1		16
2		1 M4

**Remark : Do not tighten screws until completely Assembled.
No apretar los tornillos hasta armar completamente.**