

CE365C/B



## FEATURES

- Five elements, nine zones accommodate different pan sizes

---

- High-frequency pulsation technology for superior performance and control

---

- True simmer setting for soups, sauces and more

---

- Super-low Melt setting for fine chocolate and other delicate foods

---

- Rigorously tested in our U.S. manufacturing facilities for decades of use

---

- Exceptional 24/7 support from our Customer Care team in Madison

---

- Automatic timer up to 99 minutes

---

- Bridge zone creates larger 7"x16" cooking area

---

- Ceran ceramic glass resists scratching, staining, impact and heat

---

- Can be mounted flush with countertop

---

- Illuminated touch controls

---

- Illuminated touch controls

---

- Temperature limiter ensures that safe operating temps are never exceeded

---

- Universal "off" turns all elements off

---

- Control panel lock for safety



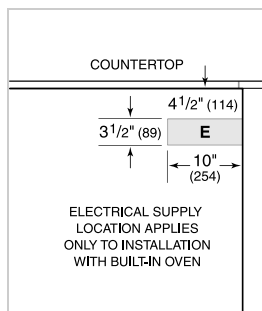
## COOKTOP SPECIFICATIONS

- 1 - 1050/1950/2700 W Element
- 1 - 700/2200 W Element
- 1 - 1200 W Element
- 2 - 1800 W Elements With Bridge

**PRODUCT SPECIFICATIONS**

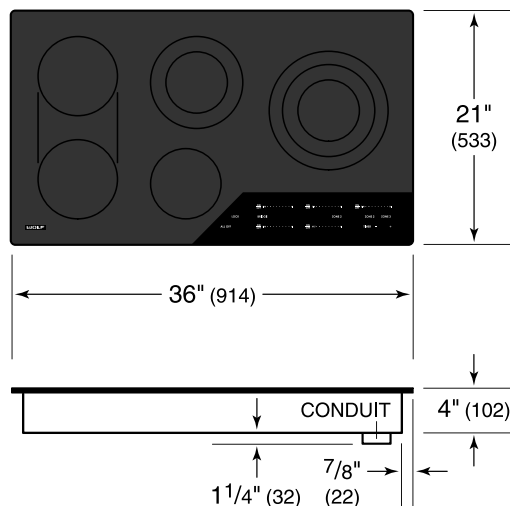
Model	CE365C/B
Dimensions	36"W x 4"H x 21"D
Weight	60 lbs
Electrical Supply	3-wire, 240 VAC, 60 Hz
Electrical Service	50 amp dedicated circuit
Conduit Length	4 Feet

**ELECTRICAL**

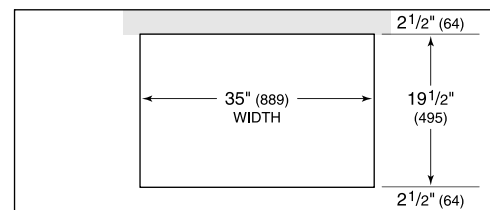


**NOTE:** Dimensions in parenthesis are in millimeters unless otherwise specified

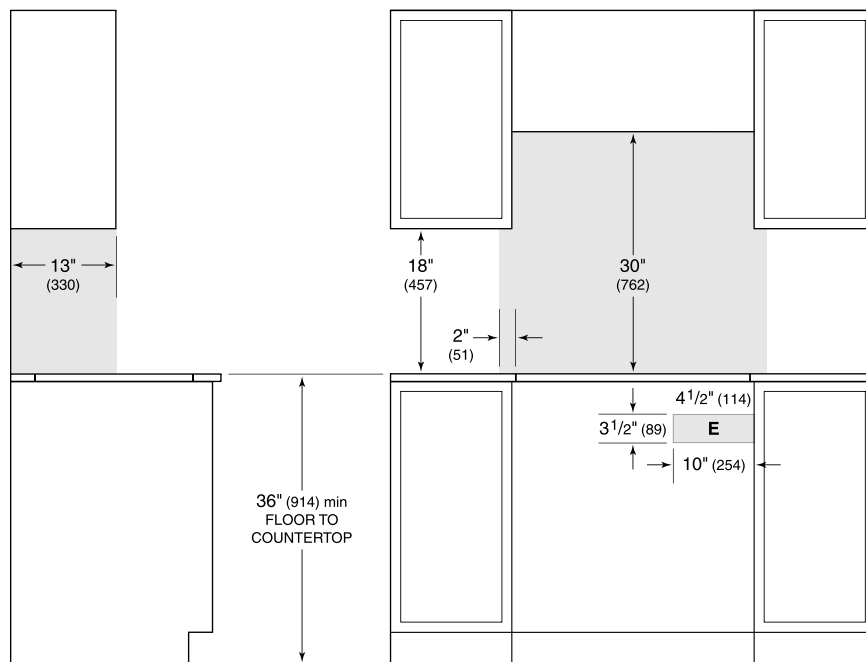
**DIMENSIONS**



**STANDARD INSTALLATION**



COUNTERTOP CUT-OUT



SIDE VIEW

FRONT VIEW

**NOTE:** Shaded area above countertop indicates minimum clearance to combustible surfaces, combustible materials cannot be located within this area. Electrical supply location only applies to installations with built-in oven.