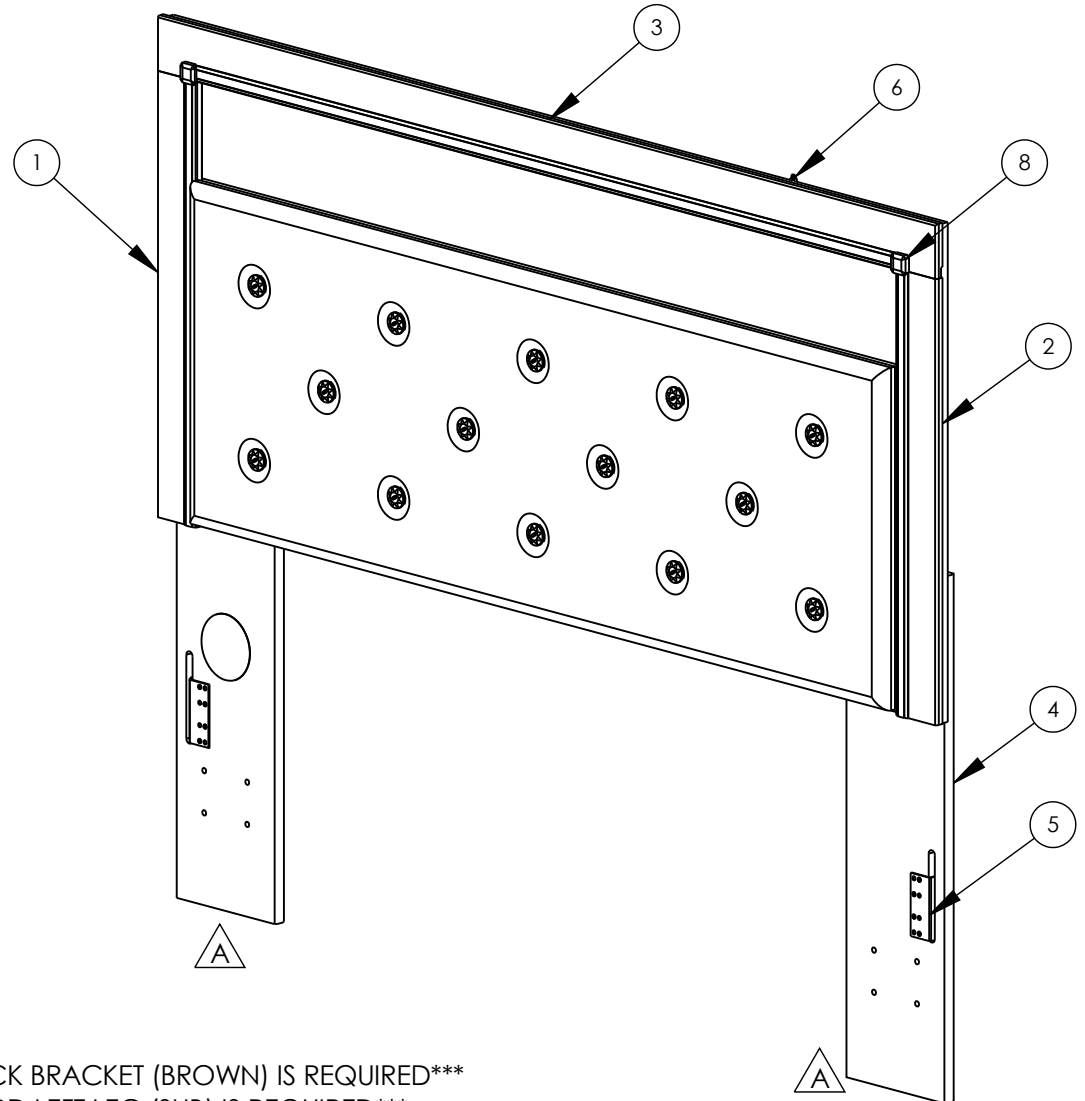
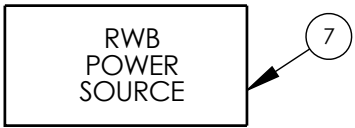


Item#	Qty	Description	MATERIAL
1	1	LEFT VERT RAIL ASSEMBLY	WOOD/PLASTIC
2	1	RIGHT VERT RAIL ASSEMBLY	WOOD/PLASTIC
3	1	TOP CAP ASSEMBLY	WOOD/PLASTIC
4	2	***LEG***	WOOD
5	2	***BEDLOCK***	METAL
6	1	IR SENSOR	PLASTIC
7	1	RWB POWER SOURCE	PLASTIC
8	2	CHROME CLIP W/SCREW	PLASTIC
9	1	RWB IR REMOTE	PLASTIC



Dwg#: 35414			
Scale: 1:15		TOLERANCES ARE: METRIC..... +.5 / -.5mm DECIMAL..... 0 / -.005" FRACTIONAL..... +0/-.1/32" (UNLESS OTHERWISE SPECIFIED)	
Date: 6/9/2020		Desc: Headboard CS	
Rev.	Description	Date	Cad/Eng
A	ADDED SUB PARTS/BACKET NOTE	9/9/2020	BM
B	SPLIT POWER SOURCE & REMOTE INTO 2 ITEMS	2/5/2021	JRP



IF PRODUCED BETWEEN 8/29/2020 & 10/10/2020 - 02081SUB BEDLOCK BRACKET (BROWN) IS REQUIRED
IF PRODUCED BETWEEN 8/29/2020 & 10/10/2020 - 10036208 PNL HDBD LEFT LEG (SUB) IS REQUIRED
IF PRODUCED BETWEEN 8/29/2020 & 10/10/2020 - 10036209 PNL HDBD RIGHT LEG (SUB) IS REQUIRED