



FRIGIDAIRE

Factory Parts Catalog

Product No.	FFEF3016UBB	FFEF3016UWB
Series	30" f/s elec	30" f/s elec
Color	black	white
Market	North America	North America
Owner's Guide	808527615	808527615
Installation Instructions	316454912	316454912
Service Data Sheet	316441731	316441731

Frigidaire

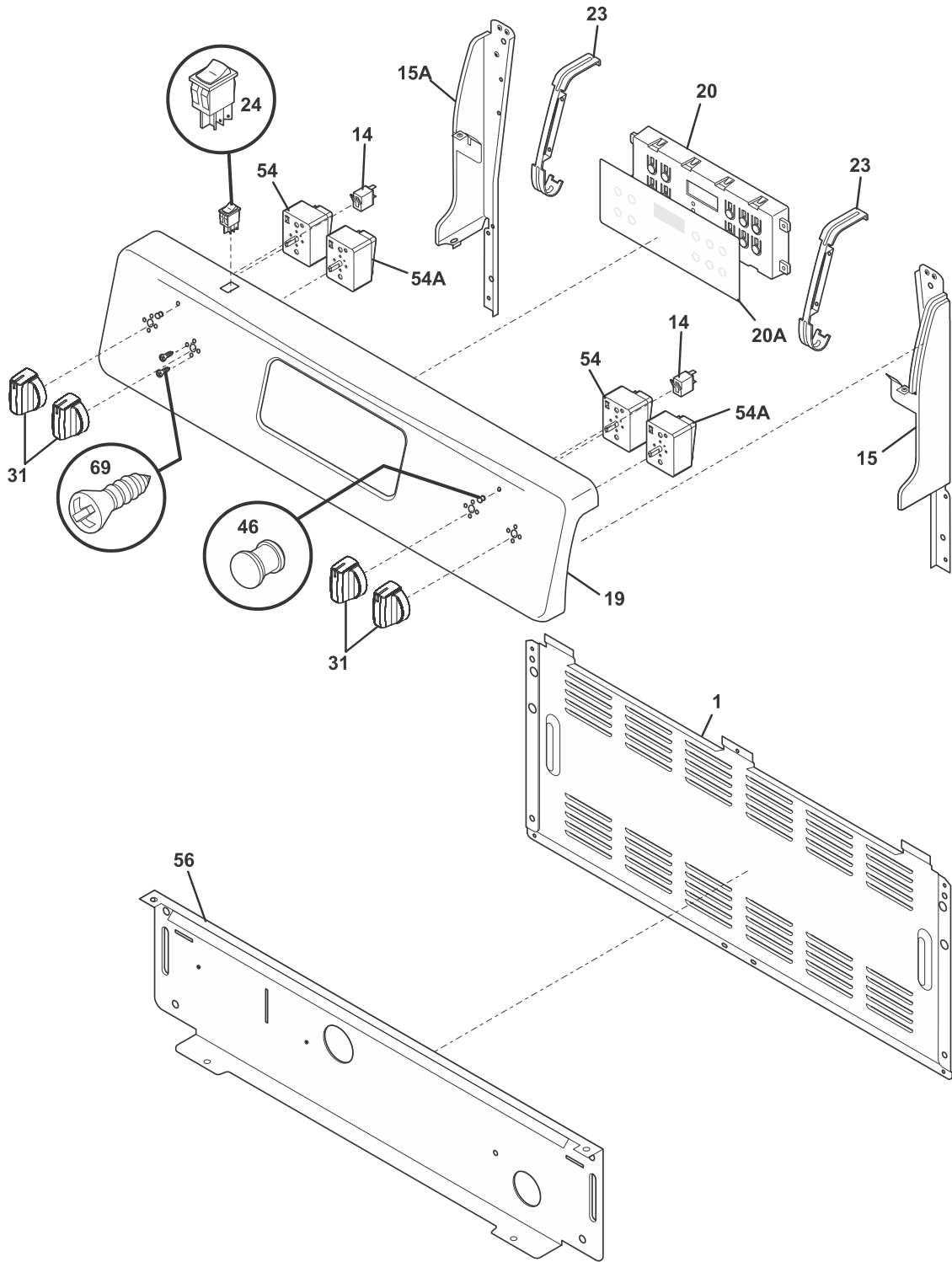
P.O. BOX 8020
CHARLOTTE, NC 28262

Publication No.
5995706255
18/08/09
(EN/SERVICE/)
369

30-INCH FREE- STANDING ELECTRIC RANGE

Model No.
FFEF3016U

BACKGUARD



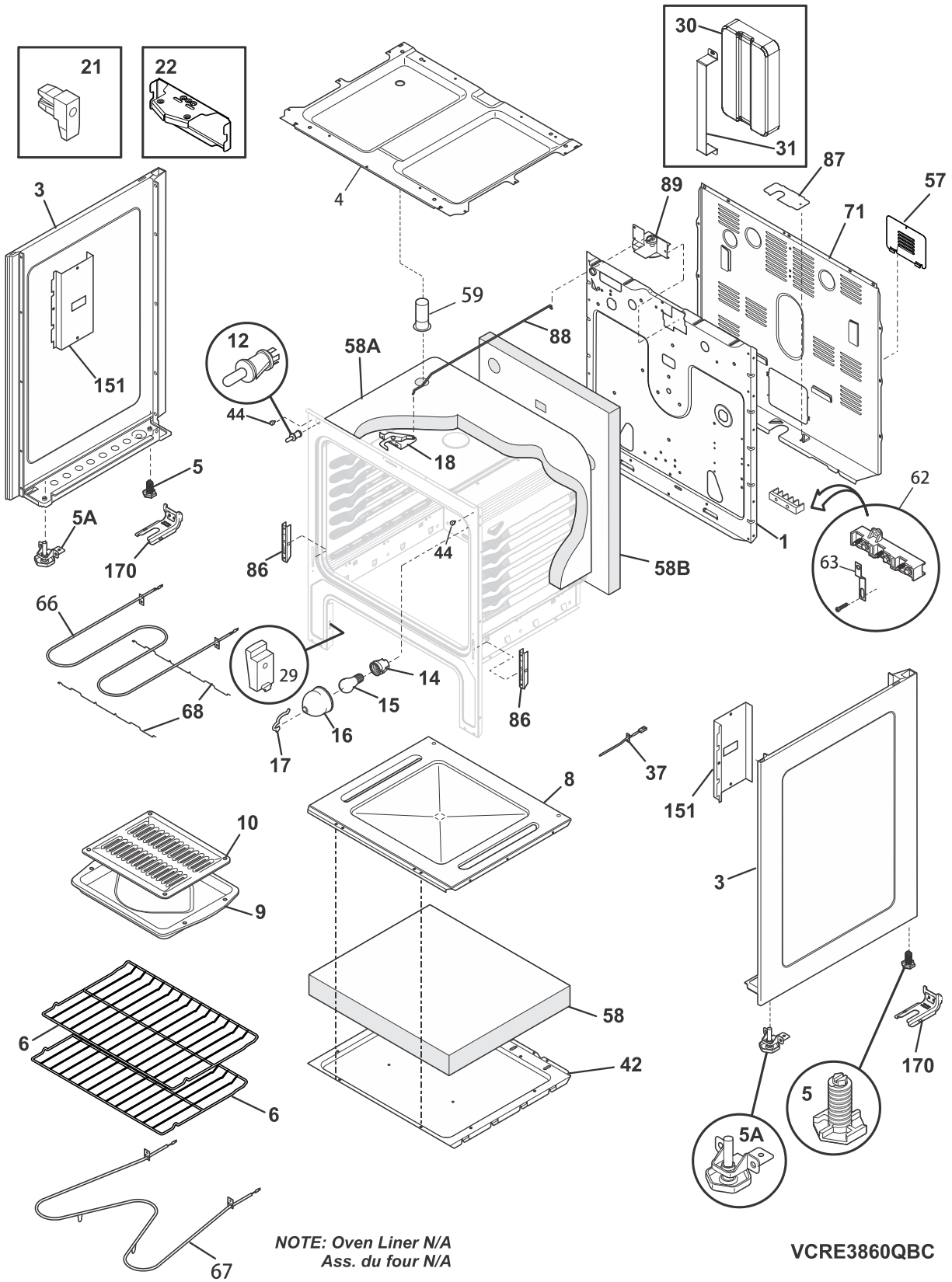
CLFEF3018TBA

BACKGUARD

Model Index: **A** FFEF3016U (FFEF3016UBB)
 B FFEF3016U (FFEF3016UWB)

POS. NO	PART NO.		DESCRIPTION
1	316281801	A B	Shield, backguard, rear wall
14	316022500	A B	Light/Lamp, indicator, black, 125 V
15	316602104	A -	cap-end, black, RH
15	316602102	- B	cap-end, white, RH
15A	316602105	A -	cap-end, black, LH
15A	316602103	- B	cap-end, white, LH
19	807152212	A -	Panel, backguard, black
19	807152211	- B	Panel, backguard, white
20 #	5304508925	A B	Controller, electronic, ES300
20A	316419145	A -	Overlay, clock, black, ES300
20A	316419144	- B	Overlay, clock, white, ES300
23	316441600	A B	Bracket-clock mtg, black
24 #	5304515139	A -	Switch, rocker, black, oven light
24 #	5304515133	- B	Switch, rocker, white
31	5304508956	A -	Knob, control, black
31	5304508957	- B	Knob, control, white
46	316557300	A B	Lens-light/lamp, indicator, clear
54 #	316436000	A B	Switch, infinite, small element
54A#	316436001	A B	Switch, infinite, large element
56	316234045	A -	Shield, backguard, black, inner
56	316234029	- B	Shield, backguard, white, inner
69	5303288565	A B	Screw, truss sqdr, 8-32 x 3/16, switch mtg
*	316021105	A B	Screw, hex head cup pt, 8-18 x 0.375, black
*	316021109	A B	Screw, 8-18 x 0.5, chrome
*	316089500	A B	Screw, 10-16 x .486

BODY

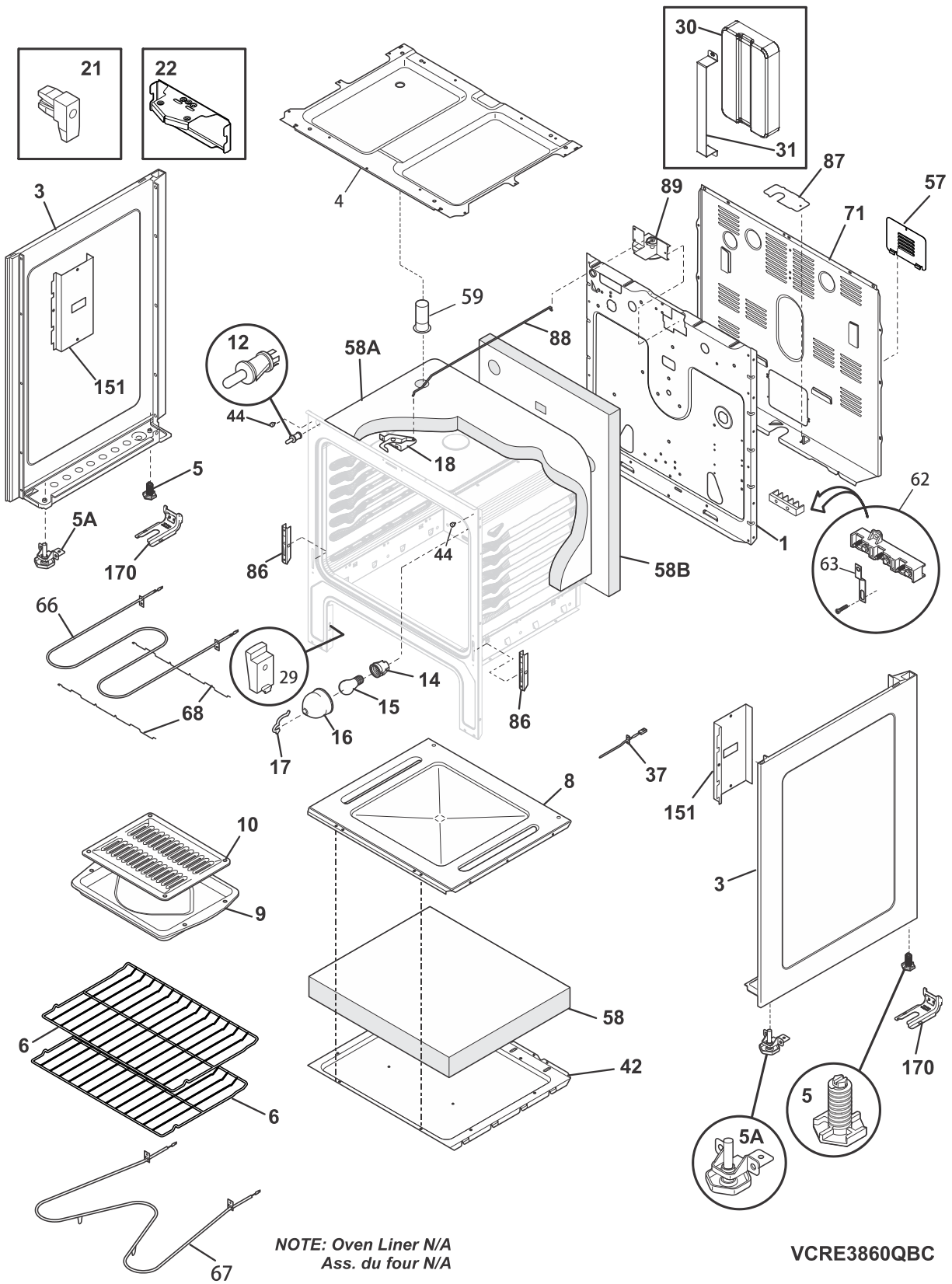


BODY

Model Index: **A** FFEF3016U (FFEF3016UBB)
B FFEF3016U (FFEF3016UWB)

POS. NO	PART NO.		DESCRIPTION
1	316401804	A B	Panel, main back
*	316418901	A B	Screw, trilobe, 10-32 x 5/16", black
3	316400118	A -	Panel, bodyside, black, RH
3	316400119	A -	Panel, bodyside, black, LH
3	316400116	- B	Panel, bodyside, white, RH
3	316400117	- B	Panel, bodyside, white, LH
4	316201409	A B	Burner Box
*	5303271648	A B	Screw, wafer hd sq dr, 8-18AB x 0.5
5	316272900	A B	Screw, leveling, plastic, rear, (2)
5A	5304509869	A B	Leveling Leg Assy, metal, front, (2), bracket & leg
6	316496201	A B	Rack, oven
8	316400601	A B	Panel, oven bottom
*	316282700	A B	Screw, w/washer, 8-18
*	316260800	A B	Screw-shoulder, w/shoulder, #8-18 x 1/2"
*	316506000	A B	Bracket, support, oven bottom, (2)
9	316081900	- -	Pan, broilerOPTIONAL ACCESSORY
10	316082000	- -	Insert, broiler panOPTIONAL ACCESSORY
12	316445501	A B	Switch, oven light, door frame
14	316116400	A B	Receptacle, oven light
15	316538901	A B	Lamp, oven light
16	318406100	A B	Lens, oven light, glass
17	316087500	A B	Retainer, lens
18 #	316405800	A B	Latch Assembly, oven door
21	316408000	A B	Clip, bodyside
22	316286300	A B	Bracket-bodyside, (2)
*	316279600	A B	Screw, bracket, stiffener, (4)
30	5304511083	A B	Counterweight, concrete block
31	5304511084	A B	Bracket, concrete block
37 #	316490000	A B	Probe, oven temp
42	316400701	A B	Shield, wool, lower
44	316517600	A B	Bumper, front, main
*	5303285179	A B	Screw, wafer head, 8-32T x 0.500, black, 44*
57	316283600	A B	Cover, access
58	316403803	A B	Insulation, oven bottom
58A	316406602	A B	Insulation, oven wrapper
58B	316406500	A B	Insulation, oven back
59	316073606	A B	Tube, oven vent
62 #	5303935271	A B	Terminal Block Kit
62*	316001003	A B	Screw, ground wire
62*	316205500	A B	Nut, hex flange, 3/8 10-32
62*	316542200	A B	Insulator
63	316542600	A B	Plate, grounding strap
66 #	316203200	A B	Element, broil
67 #	316075103	A B	Element, bake
68	316404000	A B	Support, element, broil
71	316283204	A B	Shield, rear wall
86	316441300	A B	Receptacle, hinge
86*	316418900	A B	Screw, sims lp, #8-32 x 5/16", black
87	316081200	A B	Bracket, cable mtg

BODY



NOTE: Oven Liner N/A
Ass. du four N/A

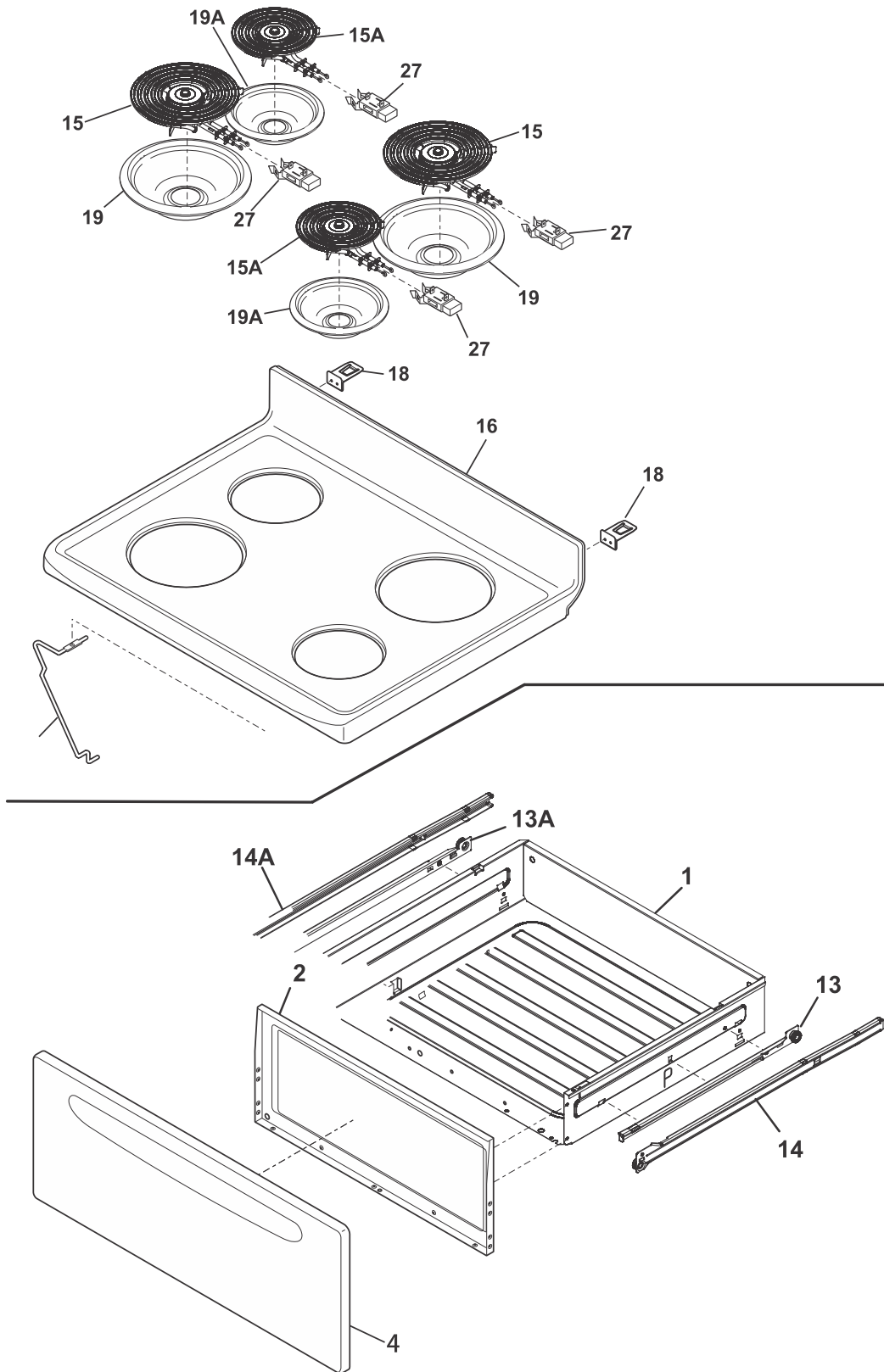
VCRE3860QBC

BODY

Model Index: **A** FFEF3016U (FFEF3016UBB)
 B FFEF3016U (FFEF3016UWB)

POS. NO	PART NO.		DESCRIPTION
88	316203500	A B	Rod, auto latch
89 #	316464300	A B	Motor-latch
151	316404601	A B	Shield, bodyside
170	316112005	A B	Anti Tip Kit, assy, w/template
170*	316107200	A B	Bracket, anti-tip
170*	316116000	A B	Screw, concrete, 1.75", anti-tip brkt
170*	316541700	A B	Template, anti-tip
* #	5304516158	A B	Harness, wiring, main
*	316021105	A B	Screw, hex head cup pt, 8-18 x 0.375, black
*	316021109	A B	Screw, 8-18 x 0.5, chrome
*	5303289910	A B	Screw, truss sqdr, 8A x 1", 62*
*	316089500	A B	Screw, 10-16 x .486

TOP/DRAWER



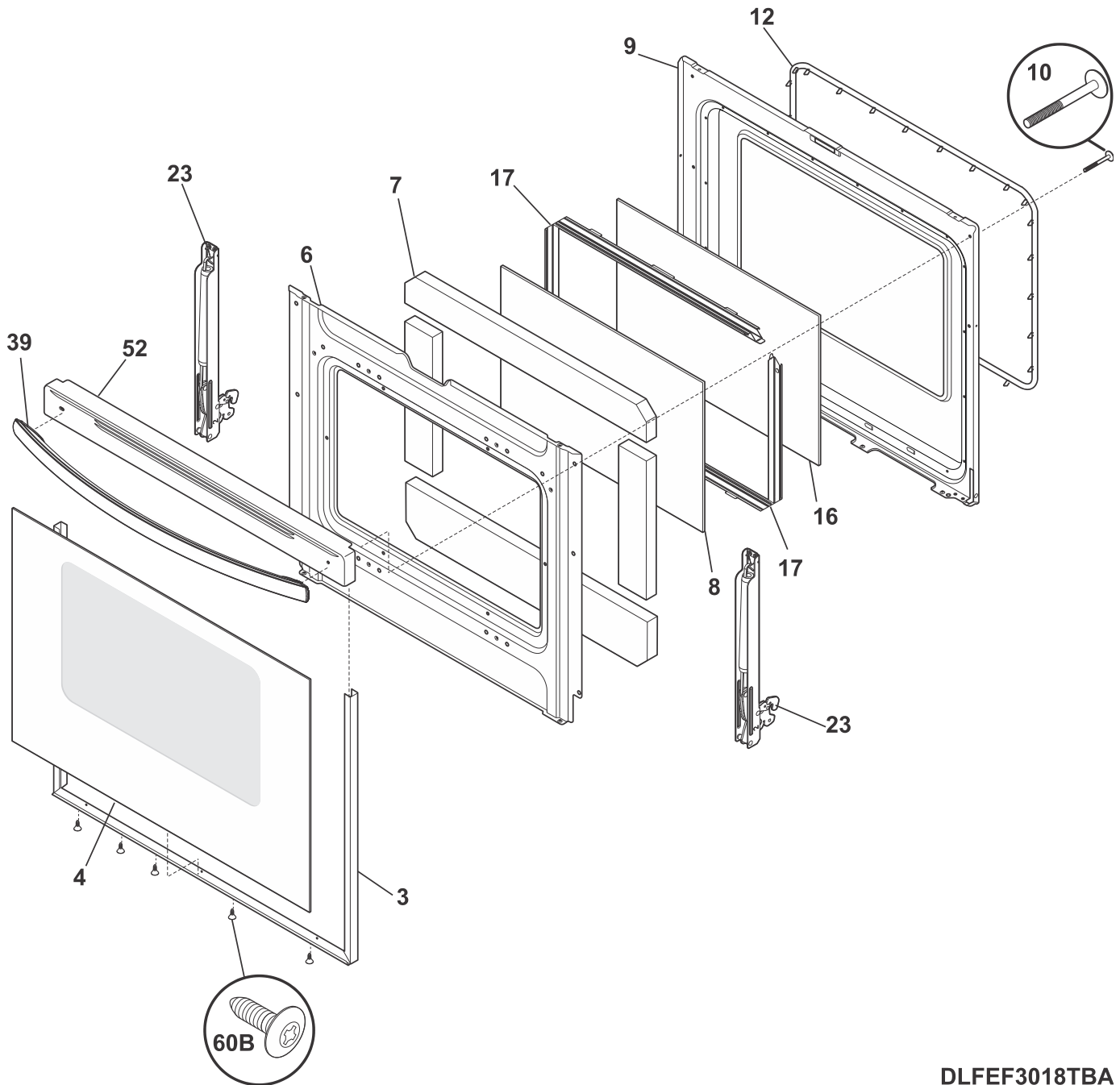
T79092552810

TOP/DRAWER

Model Index: **A** FFEF3016U (FFEF3016UBB)
 B FFEF3016U (FFEF3016UWB)

POS. NO	PART NO.		DESCRIPTION
1	316408707	A B	Drawer, utility
2	316403300	A B	Liner, drawer
4	5304511974	A -	Panel, drawer, black, outer
4	5304511973	- B	Panel, drawer, white, outer, w/intgr handle
11	5304517906	A B	Bracket, rear support, (2)
13	5304517905	A B	Glide, drawer, black, RH inner
13A	5304517903	A B	Glide, drawer, black, LH inner
14	5304517904	A B	Glide, drawer, black, RH outer
14A	5304517902	A B	Glide, drawer, black, LH outer
15 #	5304516159	A B	Element, surface, 8", w/limiter
15A#	5304516160	A B	Element, surface, 6", w/limiter
16	316610038	A -	Main Top, black
16	316610037	- B	Main Top, white, w/brkt
17	316057601	A B	Rod, support, main top
18	316580800	A B	Bracket-hinge, main top
19	318067075	A B	Pan-surface element, large, black, (2)
19A	318067076	A B	Pan-surface element, small, black, (2)
23*	316418900	A B	Screw, sims lp, #8-32 x 5/16", black
27 #	5304516152	A B	Wiring Harness, w/receptical, surface
69	5303288565	A B	Screw, truss sqdr, 8-32 x 3/16, switch mtg
*	316045000	A B	Clip, wiring harness, green, main top
*	316001003	A B	Screw, ground wire
*	316021105	A B	Screw, hex head cup pt, 8-18 x 0.375, black
*	316021132	A B	Screw, 8-18 X 11/16, black, (3)
*	316089500	A B	Screw, 10-16 x .486
*	316418901	A B	Screw, trilobe, 10-32 x 5/16", black
*	5303285179	A B	Screw, wafer head, 8-32T x 0.500, black, 44*
*	5308014215	A B	Screw, 6-20 x 0.312

DOOR



DLFEF3018TBA

DOOR

Model Index: **A** FFEF3016U (FFEF3016UBB)
 B FFEF3016U (FFEF3016UWB)

POS. NO	PART NO.		DESCRIPTION
3	5303935377	A -	Trim kit-door, 3 sided, black, w/tape
3	5303935393	- B	Trim kit-door, 3 sided, white, w/tape
4	316559109	A -	Glass Assembly, outer, black
4	316559108	- B	Glass Assembly, outer, white
6	316406312	A B	Shield-wool
7	316405600	A B	Insulation, oven door
8	316117502	A B	Glass, oven door, heat barrier, inner, HRC2
9	316423707	A B	Liner, oven door
10	316433300	A B	Screw, 10-14 x 2.125", handle mtg.
12	316405000	A B	Seal, oven door
16	316117503	A B	Glass, oven door, inner, HRC1
17	5304504811	A B	Spacer, glass
23	316575909	A B	Hinge, oven door, black
23*	316418900	A B	Screw, sims lp, #8-32 x 5/16", black
39	5304507384	A -	Handle, door, black
39	5304507385	- B	Handle, door, white
52	316575501	A -	Cap, door trim, black
52	316575500	- B	Cap, door trim, white
60B	316021109	A B	Screw, 8-18 x 0.5, chrome
*	316483102	A B	Label, anti-tip
*	316021105	A B	Screw, hex head cup pt, 8-18 x 0.375, black
*	5303285179	A B	Screw, wafer head, 8-32T x 0.500, black, 44*