

# WA50F9A8DSP

Samsung Top-Load Washer

## 5.0 cu. ft. Capacity DOE

### Features

- Internal Water Heater
- AquaJet™ Cleaning and Delicates
- Smart Care
- Diamond Drum™ Design
- PureCycle™ (Tub Clean)
- 15 Preset Wash Cycles with 11 Options
- VRT™ – Vibration Reduction Technology
- 1100 rpm Maximum Spin Speed
- Stainless Steel Pulsator
- Direct Drive Inverter Motor
- LED Display: Ice Blue
- Door Lid: Chrome Deco Curved Tinted Glass
- Soft Close Lid
- Sanitize Cycle

### Convenience

- Child Lock
- Delay Start – Up to 24 Hours
- 6 Temperature Settings
- 5 Spin Settings
- 5 Soil Settings
- Dispenser Trays: Main Wash, Softener, Bleach



ENERGY STAR® rated:  
Rated CEE Tier 3

MEF = 2.7



WCF = 3.7

165 kWh/yr



Ranked **“Highest in Customer Satisfaction with Clothes Washers”**  
by J.D. Power and Associates.  
(4 Consecutive Years)



Huge capacity lets you wash 2.6 baskets of laundry in a single load.



Internal Water Heater

### Available Colors



Stainless Platinum (shown)



White

### Signature Features

#### SAVE HOURS WITH HUGE 5.0 CU. FT. CAPACITY

- Huge capacity lets you wash 2.6 laundry baskets in a single load.
- Save over 3 hours<sup>1</sup> per week doing laundry versus a conventional washer.

<sup>1</sup> Based on 10 lb. load per basket. Using a consumer average of 350 loads per year with average normal wash cycle of 53 minutes equals a time savings of over 3 hours per week.

#### INTERNAL WATER HEATER

- Activates sanitize cycle for NSF-certified 99.9 percent bacteria-free laundry.<sup>2</sup>
- Ensures the right water temperature for optimal cleaning performance.

<sup>2</sup> Based on NSF protocol/P172 certification: See NSF.org for more information.

#### SMART CARE

- Perform a quick diagnosis of your washer right from your smartphone.<sup>3</sup>
- Get access to troubleshooting options.

<sup>3</sup> Available for iPhone 4/4S and Galaxy S1/S2/S3/NOTE.  
Smart Washer/Dryer App available on Google Play and iTunes.

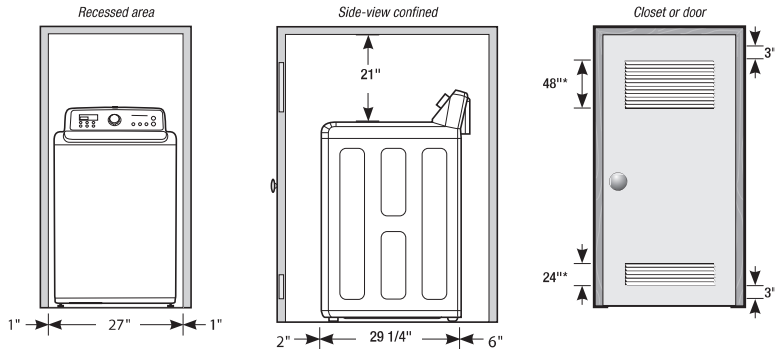
**SAMSUNG**

# WA50F9A8DSP

Samsung Top-Load Washer

## Installing Your Washer

### Alcove or closet installation



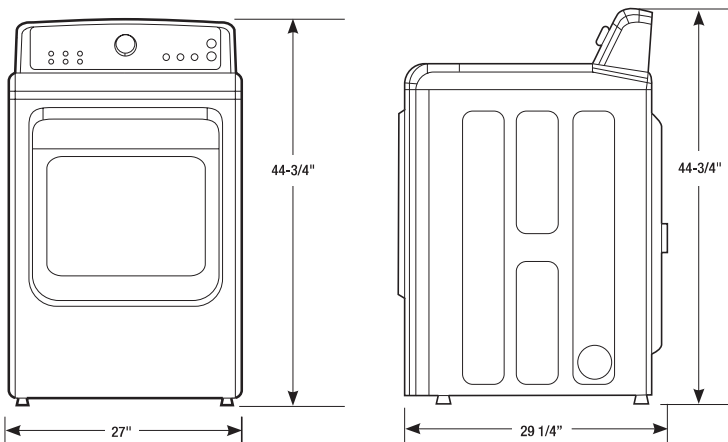
### Minimum clearances for closets and alcoves:

Sides – 1"  
Top – 17"  
Rear – 5"  
Closet front – 2"

If the washer and dryer are installed together, the closet front must have at least a 72 in (465 cm) unobstructed air opening. Your washer alone does not require a specific air opening.

\* Required spacing.  
(External exhaust elbow requires additional space)

## Dimensions



## 5.0 cu. ft. Capacity DOE

### 15 Preset Wash Cycles:

Normal, Heavy Duty, Permanent Press, Sanitize, Towels, Bedding, Colors/Darks, Infant Wear, Active Wear, Delicates/Hand Wash, Wool, Quick Wash, PureCycle™, Rinse and Spin, Spin Only

### 11 Options:

AquaJet™ Deep Clean, Delay Start – Up to 24 Hours, My Cycle, Pre Soak, Extra Rinse, Signal On/Off, Child Lock, Softener, AquaJet™ Delicate Wash, Garment+, Eco Plus

### 6 Temperature Settings:

Extra Hot, Hot, Warm, Eco Warm, Cold, Tap Cold

### 5 Spin Settings:

Extra High, High, Medium, Low, No Spin

### 5 Soil Settings:

Heavy, Heavy Medium, Normal, Low Medium, Light

### 2 Signal Level Settings:

On/Off

## Warranty

One (1) Year Parts and Labor  
Two (2) Years Control Board  
Three (3) Years Stainless Steel Drum  
Ten (10) Years Direct Drive Motor

## Product Dimensions & Weight (WxHxD)

Dimensions: 27" x 44<sup>3/4</sup>" x 29<sup>1/4</sup>"

Weight: 142.7 lbs

## Shipping Dimensions & Weight (WxHxD)

Dimensions: 29<sup>1/2</sup>" x 47" x 31"

Weight: 153.7 lbs

Color	Model #	UPC Code
Stainless Platinum	WF50F9A8DSP	887276018140
White	WF50F9A8DSW	887276017860

## Matching Dryer (Electric/Gas)

Stainless Platinum	DV50F9A8EVP	887276018461
White	DV50F9A8EVW	887276018003
Stainless Platinum	DV50F9A8GVP	887276018713
White	DV50F9A8GVW	887276018010

**SAMSUNG**

Actual color may vary. Design, specifications, and color availability are subject to change without notice. Non-metric weights and measurements are approximate.

Samsung received the highest numerical score for clothes washers (2009-2012) and dryers (2008-2012) in the proprietary J.D. Power and Associates Laundry Appliance Studies. SM 2012 study based on 9,339 total responses measuring 12 brands, and measures opinions of consumers about their washer and dryer obtained new in the past 24 months. Proprietary study results are based on experiences and perceptions of consumers surveyed in January-February 2012. Your experiences may vary. Visit [jdpower.com](http://jdpower.com).

©2013 Samsung Electronics America, Inc. 85 Challenger Road, Ridgefield Park, NJ 07660. Tel: 800-SAMSUNG. [samsung.com](http://samsung.com). Samsung is a registered trademark of Samsung Electronics Co. Ltd.