



HOSHIZAKI

Parts List

Modular Crescent Cuber

Models

KM-23 IBAJ

KM-30 IBAJ, BWJ



hoshizakiamerica.com

Number: 71426
Issued: 6-28-2019
Revised: 8-20-2025

CONTENTS

Auxiliary Codes.....	3
Note About Ordering Parts	3
A. Main Assembly	4
B. Refrigeration Circuit.....	7
KM-231BAJ, KM-301BAJ	7
KM-301BWJ	9
C. Water Circuit.....	11
D. Control Box Assembly.....	13
E. Accessories & Labels	15

Auxiliary Codes

KM-231BAJ

J-0 March 2019
J-1 December 2019
K-0 January 2020
K-1 March 2020
K-2 May 2020
K-3 September 2020
L-0 January 2021
L-1 August 2021
L-2 December 2021
M-0 January 2022
N-0 February 2023
N-1 May 2023
P-0 January 2024
P-1 March 2024
P-2 July 2024
Q-0 January 2025

KM-301BAJ

J-0 March 2019
K-0 January 2020
K-1 March 2020
K-2 May 2020
K-3 September 2020
L-0 January 2021
L-1 June 2021
M-0 January 2022
N-0 February 2023
N-1 May 2023
P-0 January 2024
P-1 March 2024
P-2 July 2024
P-3 September 2024
Q-0 January 2025

KM-301BWJ

J-0 March 2019
K-0 January 2020
K-1 March 2020
K-2 July 2020
K-3 September 2020
L-0 January 2021
L-1 June 2021
M-0 January 2022
N-0 March 2023
N-1 July 2023
P-2 July 2024
Q-0 January 2025

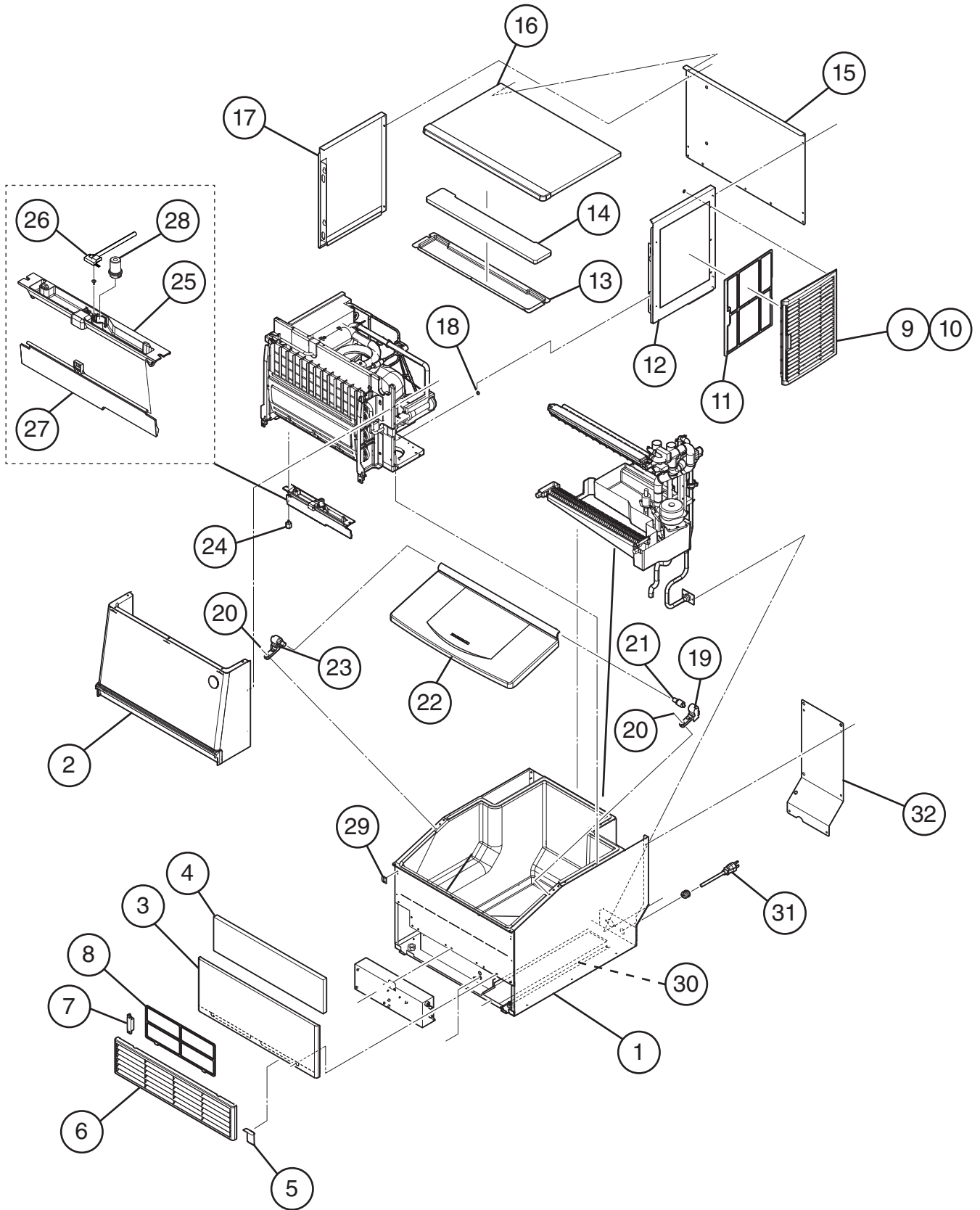
Auxiliary Code Breakdown

The auxiliary code is the first two characters in the serial number. The first character indicates the year. Years progress or regress in alphabetical order. The series runs from "A" through "V" and the letters "I" and "O" are skipped. The second character indicates significant part changes within a year. Base is "0" and this number advances for each change. In cases where there is a letter in parentheses, this designates the month. This is the last character in the serial number. The series runs from "(A)" through "(M)" and the letter "(I)" is skipped. This designation is only included when identifying a parts change within an auxiliary code.

Note About Ordering Parts

Most assemblies cannot be ordered as complete units; parts in the assemblies generally must be ordered separately.

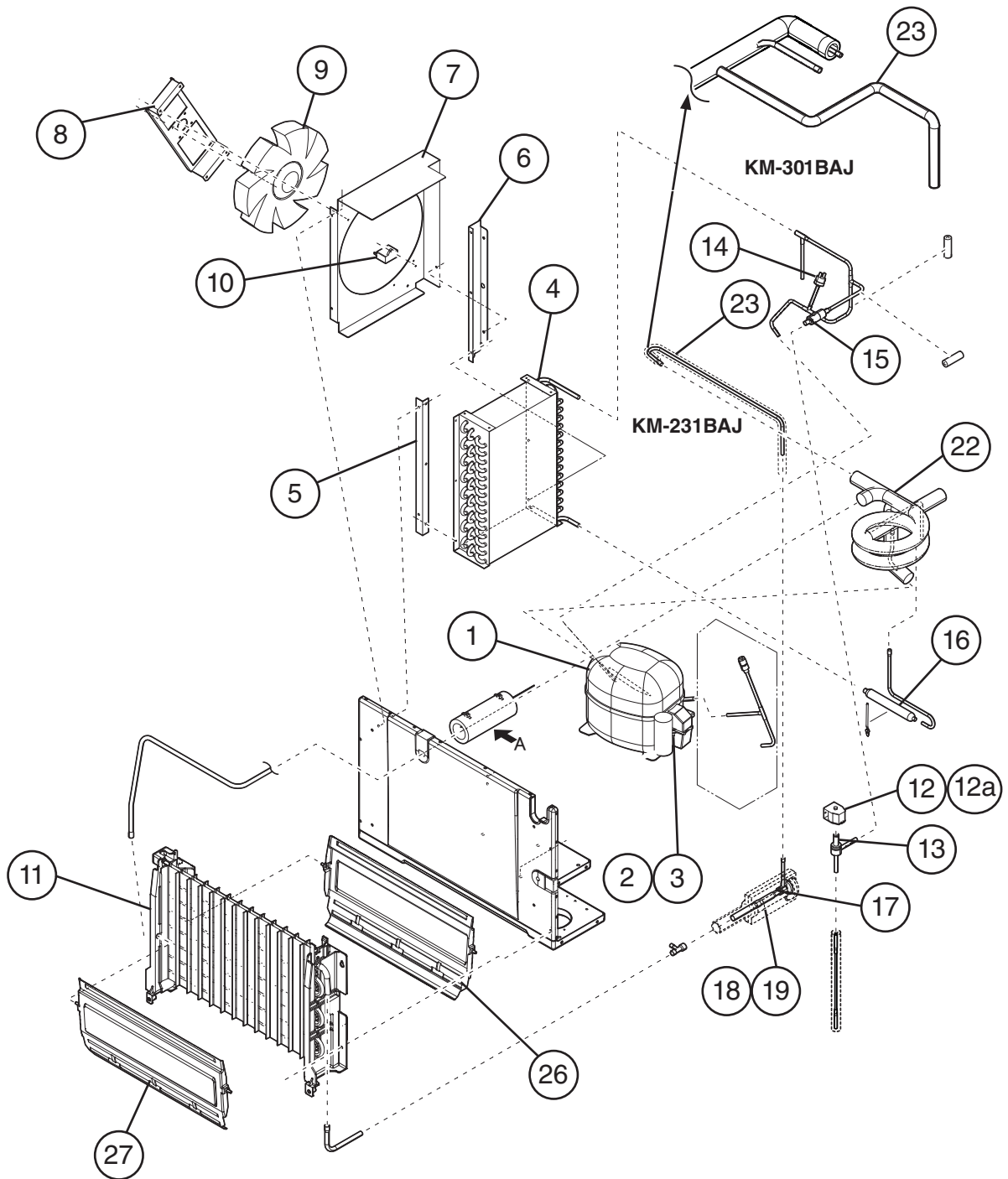
A. Main Assembly
KM-231BAJ, KM-301B_J
J-0 to Q-0



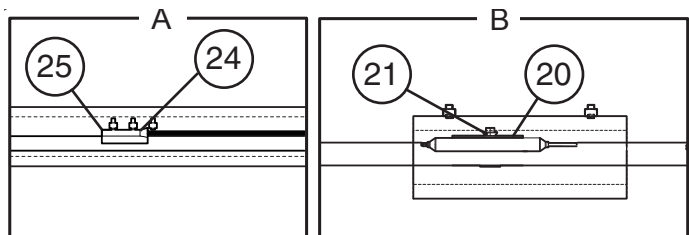
Title: A. Main Assembly Model: KM-231BAJ, KM-301B_J											
Index No.	Description	Material or Model Number	Part Number	Required Number							
				J-0 to K-0	K-1	K-2 to Q-0					
Main Assembly											
1	Bin Assembly	KM-231BAJ	118999G02	1	-						
			1A5840G01		1	1					
		KM-301BAJ	118990G02	1	-						
			1A5828G01		1	1					
		KM-301BWJ	118990G04	1	-						
			1A5828G02		1	1					
2	Front Cover	KM-231BAJ	2A9327G02	1	1	1					
		KM-301B_J	2A9169G02	1	1	1					
3	Front Panel	KM-231BAJ	4A6523-03	1	1	-					
			3B0575-02			1					
		KM-301B_J	4A6523-04	1	1	-					
			3B0575-01			1					
4	Front Insulation	KM-231BAJ	472743P01	1	1	1					
		KM-301B_J	472742P01	1	1	1					
5	Barrier		482909M01	1	1	1					
6	Louver	KM-231BAJ	118900P01	1	1	1					
		KM-301B_J	118899P01	1	1	1					
7	Magnet Catch		P01032-01	2	2	2					
8	Front Air Filter	KM-231BAJ	371154G01	1	1	1					
		KM-301BAJ									
9	Louver Assembly (includes 8 and 9)		2A6649A02	1	1	1					
10	Louver B	KM-231BAJ	1A0548-01	1	1	1					
		KM-301BAJ									
11	Side Air Filter B	KM-231BAJ	2A2063G01	1	1	1					
		KM-301BAJ									
12	Right Side Panel	KM-231BAJ	2A9105G02	1	1	1					
			KM-301BAJ								
		KM-301BWJ	2A9105G03	1	1	1					
13	Top Cover	KM-231BAJ	255268P01	1	1	1					
		KM-301B_J	254953P01	1	1	1					
14	Top Insulation	KM-231BAJ	472571P01	1	1	1					
		KM-301B_J	472444P01	1	1	1					
15	Rear Panel	KM-231BAJ	371248M01	1	1	1					
		KM-301BAJ	371000M01	1	1	1					
		KM-301BWJ	371000M02	1	1	1					
16	Top Panel	KM-231BAJ	4A7674G01	1	1	1					
		KM-301B_J	4A7675G01	1	1	1					
17	Left Side Panel		2A9106G02	1	1	1					
18	Taper Collar		4H0171-01	4	4	4					
19	Right Hinge Mount		370969P01	1	1	1					
20	Pan Head Machine Screw (spring washer)		7C1220516	4	4	4					
21	Hinge		P01080-01	1	1	1					

Title: A. Main Assembly Model: KM-231BAJ, KM-301B_J												
Index No.	Description	Material or Model Number	Part Number	Required Number								
				J-0 to K-0	K-1	K-2 to Q-0						
22	Door Assembly	KM-231BAJ	371214G01	1	1	-						
			1A5841G01			1						
		KM-301B_J	370980G01	1	1	-	Note to PDM for future sub					
			1A5842G01			1						
23	Left Hinge Mount		370970P01	1	1	1						
24	Thumbscrew		415949G12	2	2	2						
25	Actuator Base		118845P01	1	1	1						
26	Reed Switch G		4A6593G01	1	1	1						
27	Actuator	KM-231BAJ	370981G01	1	1	1						
		KM-301B_J	371416G01	1	1	1						
28	Grommet E		472446R01	1	1	1						
29	Clamp		4A6669-01	2	-							
			443461-01		2	2						
30	Wire Cover		376185M01	1	1	1						
31	Power Supply Cord		P00004-01	1	1	1						
32	Rear Cover		371199M01	1	1	1						

B. Refrigeration Circuit
KM-231BAJ, KM-301BAJ
 J-0 to Q-0

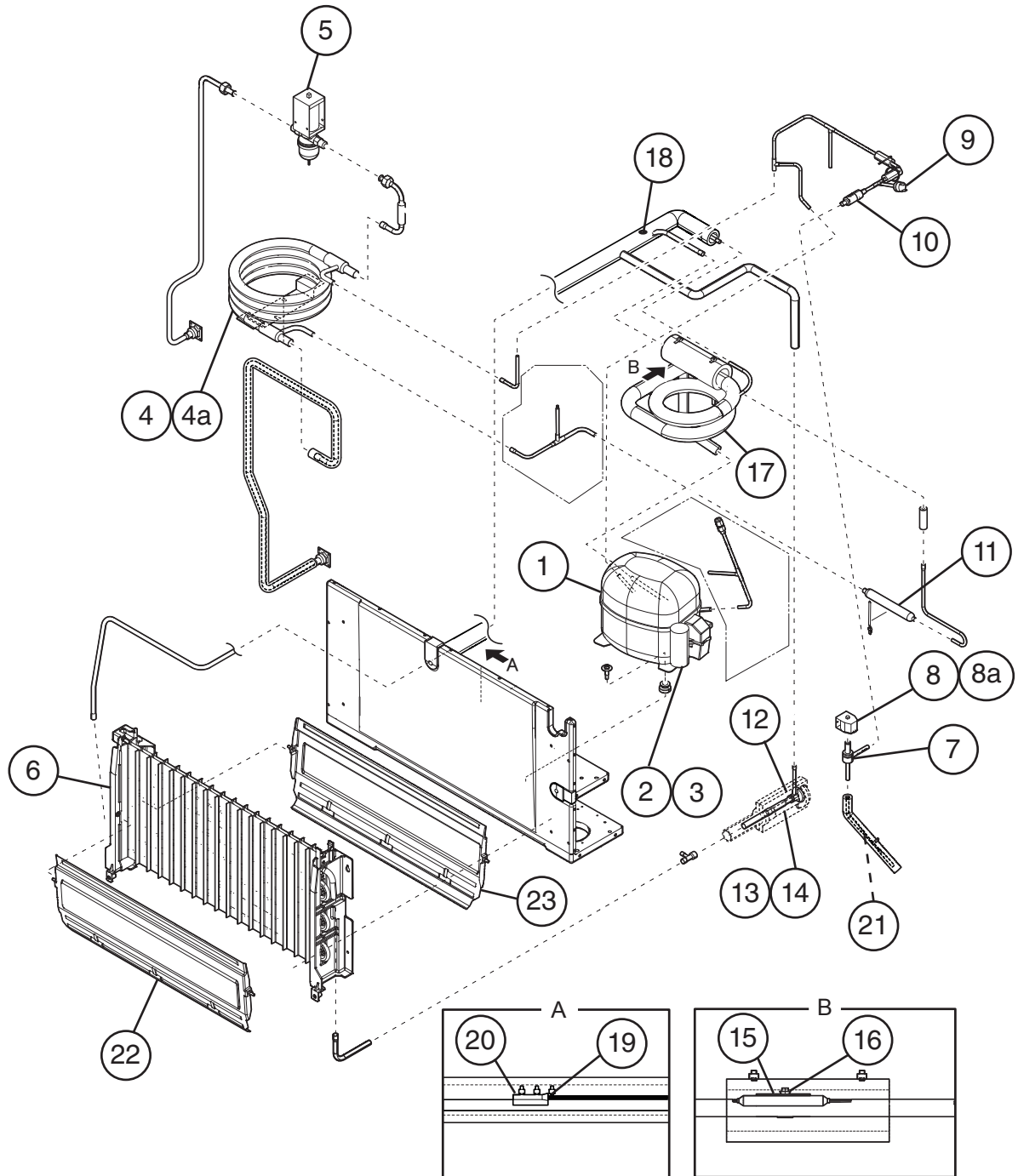


Model Shown: KM-231BAJ



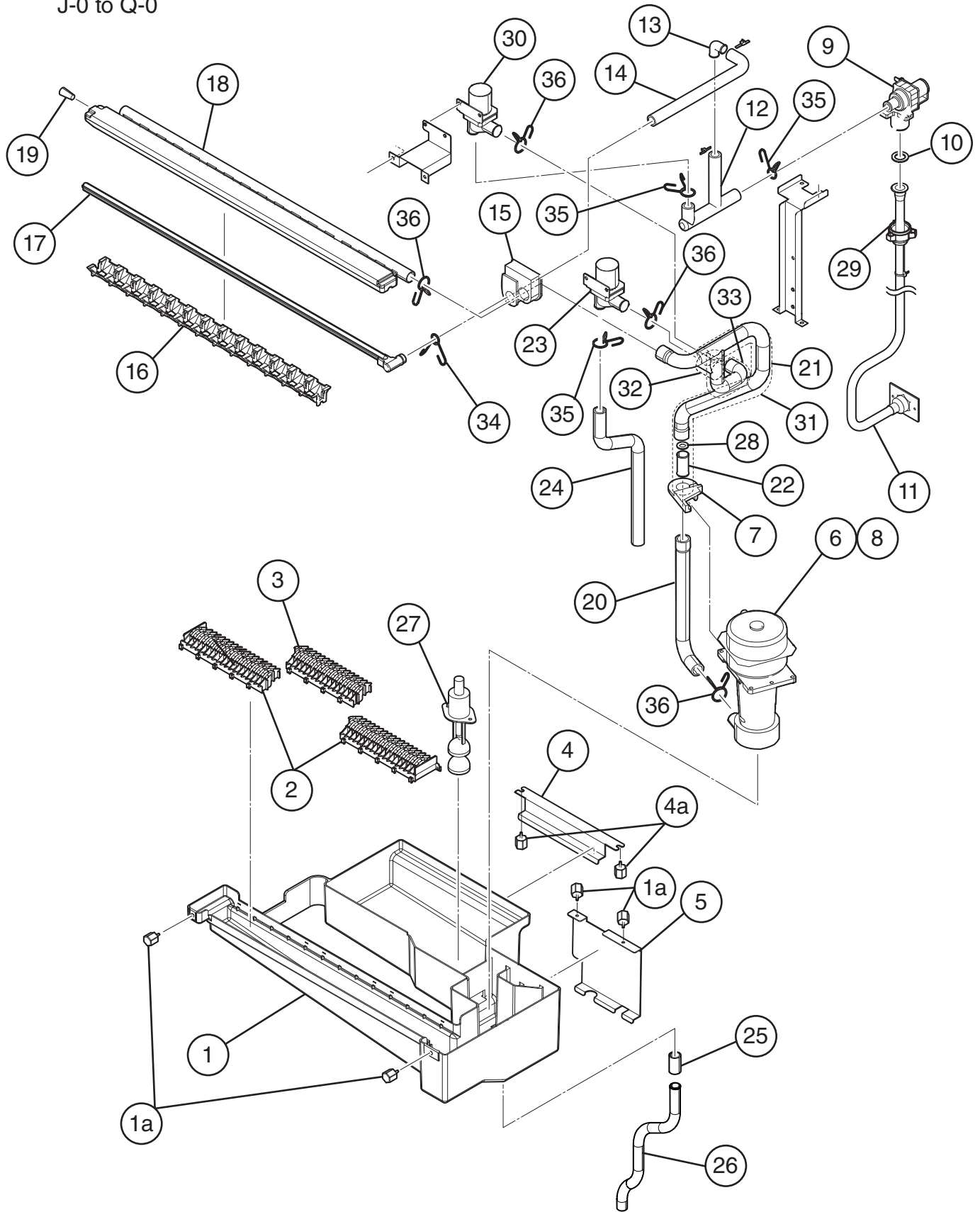
Title: B. Refrigeration Circuit Model: KM-231BAJ, KM-301BAJ												
Index No.	Description	Material or Model Number	Part Number	Required Number								
				J-0 to L-1	M-0 to Q-0							
Refrigeration Circuit												
1	Compressor	KM-231BAJ	4A4185-01	1	1							
		KM-301BAJ	P01081-01	1	1							
2	Start Relay (includes external protector)	KM-231BAJ	4A2135-04	1	1							
		KM-301BAJ	4A3113-01	1	1							
3	Start Capacitor	KM-231BAJ 320MFD, 125VAC	4A2134-04	1	1							
		KM-301BAJ 240MFD, 125VAC	4A2134-03	1	1							
4	Condenser	KM-231BAJ	P00823-01	1	1							
		KM-301BAJ	P00822-01	1	1							
5	Condenser Bracket A		472458M01	1	1							
6	Condenser Bracket B		472463M01	1	1							
7	Shroud	KM-231BAJ	255353M01	1	1							
		KM-301BAJ	255381M01	1	1							
8	Fan Motor Bracket		371200M01	1	1							
9	Fan Motor		384348G01	1	1							
10	Fan Motor Capacitor		443158-02	1	1							
11	Evaporator	KM-231BAJ	4A6540G01	1	1							
		KM-301BAJ	4A6539G01	1	1							
12	Valve Coil		4A3277-01	1	1							
12a	Bolt		4A3277F01	1	-							
13	Valve Body		4A3978-01	1	1							
14	High-Pressure Switch	KM-231BAJ	463180-04	1	1							
		KM-310BAJ	463180-01	1	1							
15	Strainer		441569-04	1	1							
16	Drier		458776-01	1	1							
17	Thermostatic Expansion Valve	KM-231BAJ	P01129-01	1	1							
		KM-301BAJ	P00826-01	1	1							
18	Thermostatic Expansion Valve Cover A		324313-01	1	1							
19	Thermostatic Expansion Valve Cover B		324313-02	1	1							
20	Thermostatic Expansion Valve Holder		451267-01	1	1							
21	Clamp		443461-01	1	1							
22	Heat Exchanger A	KM-231BAJ	2A9119G01	1	1							
		KM-301BAJ	4A6514G01	1	1							
23	Heat Exchanger B	KM-301BAJ	4A6665G01	1	1							
24	Thermistor		P00027-01	1	1							
25	Thermistor Holder		436455-01	1	1							
26	Separator A	KM-231BAJ	384672G01	1	1							
		KM-301BAJ	384672G03	1	1							
27	Separator B	KM-231BAJ	384672G02	1	1							
		KM-301BAJ	384672G04	1	1							

B. Refrigeration Circuit
KM-301BWJ
 J-0 to Q-0



Title: B. Refrigeration Circuit Model: KM-301BWJ												
Index No.	Description	Material or Model Number	Part Number	J-0 to Q-0	Required Number							
Refrigeration Circuit												
1	Compressor		4A4185-01	1								
2	Start Relay (includes external protector)		4A2135-04	1								
3	Starting Capacitor	340MFD, 125VAC	4A2134-04	1								
4	Water-Cooled Condenser		P01212-01	1								
4a	Flange Bolt		7B0230516	2								
5	Water Regulating Valve		P04025-01	1								
6	Evaporator		4A6539G01	1								
7	Valve Body		4A3978-01	1								
8	Valve Coil		4A3277-01	1								
8a	Bolt		4A3277F01	1								
9	High-Pressure Switch		463180-05	1								
10	Strainer		441569-04	1								
11	Drier		458776-01	1								
12	Thermostatic Expansion Valve		P00826-01	1								
13	Thermostatic Expansion Valve Cover A		324313-01	1								
14	Thermostatic Expansion Valve Cover B		324313-02	1								
15	Thermostatic Expansion Valve Holder		451267-01	1								
16	Clamp		443461-01	1								
17	Heat Exchanger A		4A6665G01	1								
18	Heat Exchanger B		2A9100G01	1								
19	Thermistor		P00027-01	1								
20	Thermistor Holder		436455-01	1								
21	Capillary Tube		7K2032010	1								
22	Separator A		384672G03	1								
23	Separator B		384672G04	1								

C. Water Circuit
KM-231BAJ, KM-301B_J
 J-0 to Q-0



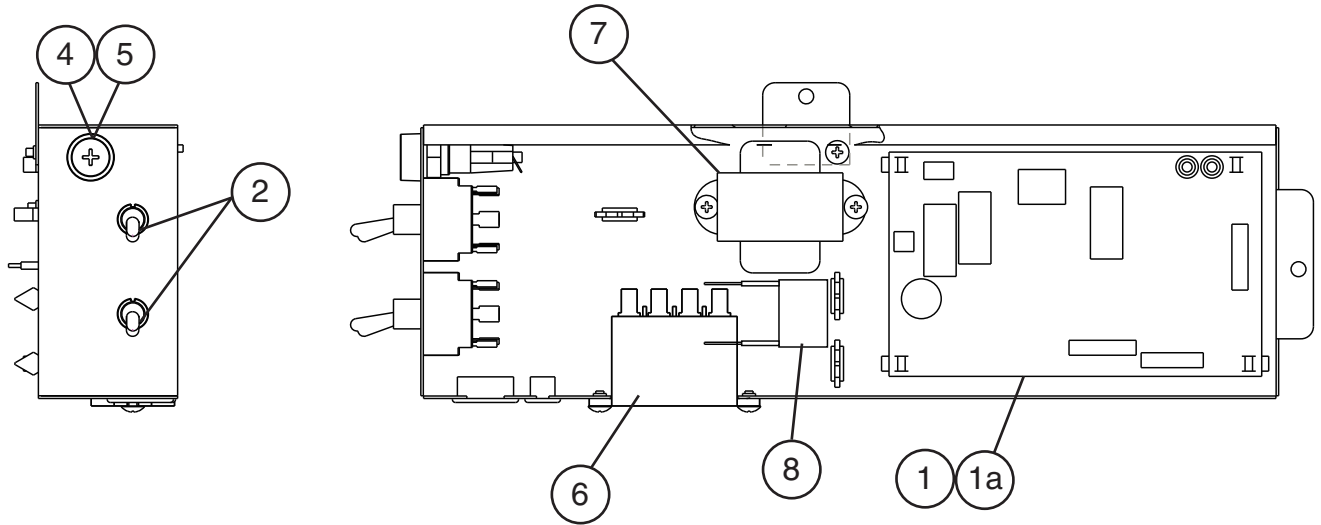
Title: C. Water Circuit Model: KM-231BAJ, KM-301B_J											
Index No.	Description	Material or Model Number	Part Number	Required Number							
				J-0 to N-1	P-0 to Q-0						
1	Water Tank	KM-231BAJ	118944P01	1	1						
		KM-301B_J	118840P01	1	1						
1a	Thumbscrew		415949G12	4	4						
2	Cube Guide A		258598P01	2	2						
3	Cube Guide B	KM-231BAJ	2A3363-01	1	1						
		KM-301B_J		2	2						
4	Tank Hook B	KM-231BAJ	371007M01	1	1						
		KM-301B_J	371193M01	1	1						
4a	Thumbscrew		415949G12	2	2						
5	Tank Hook D		371204M01	1	1						
6	Pump Motor (includes items 7 and 8)		P00468-01	1	1						
7	Pump Motor Cover		371173R01	1	1						
8	Pump Motor Capacitor	1 MFD, 400VAC	4A2128-09	1	1						
9	Inlet Water Valve		3U0150-01	1	1						
10	Rubber Gasket		4A7594-01	1	1						
11	Water Supply Pipe		2A9244G01	1	1						
12	Water Supply Pipe A		472438R01	1	1						
13	Elbow		470303-01	1	1						
14	Water Supply Pipe B		472439R01	1	1						
15	Grommet B		472436R01	1	1						
16	Spray Guide	KM-231BAJ	252052P03	1	-						
			2A4282-03		1						
		KM-301B_J	118939P01	1	-						
			2A4282-01		1						
17	Water Supply Tube	KM-231BAJ	250743-03	1	1						
		KM-301B_J	254949P01	1	1						
18	Spray Tube	KM-231BAJ	255329P01	1	1						
		KM-301B_J	254950P01	1	1						
19	Plug		4A0176-01	1	1						
20	Water Supply Pipe E		472558R01	1	1						
21	Water Supply Pipe F		255236R01	1	1						
22	Socket		472564P01	1	1						
23	Drain Valve		384344G01	1	1						
24	Drain Pipe		472441R01	1	1						
25	SI Hose		7730-1519	1	1						
26	Drain Pipe B		472442P01	1	1						
27	Float Switch		P00816-01	1	1						
28	Orifice	KM-231BAJ	4Y4194P01	1	1						
29	Spring Washer		7L22-0400	1	1						
30	Cleaning Valve		384352G01	1	1						
31	Insulation Tube		7762-2040	1	1						
32	Insulation Tube		7762-2040	1	1						
33	Insulation Tube		7762-2040	1	1						
34	Hose Clamp	13.5 mm	427443-07	1	1						
35	Hose Clamp	18 mm	427443-05	3	3						
36	Hose Clamp	20 mm	427443-06	4	4						

D. Control Box Assembly

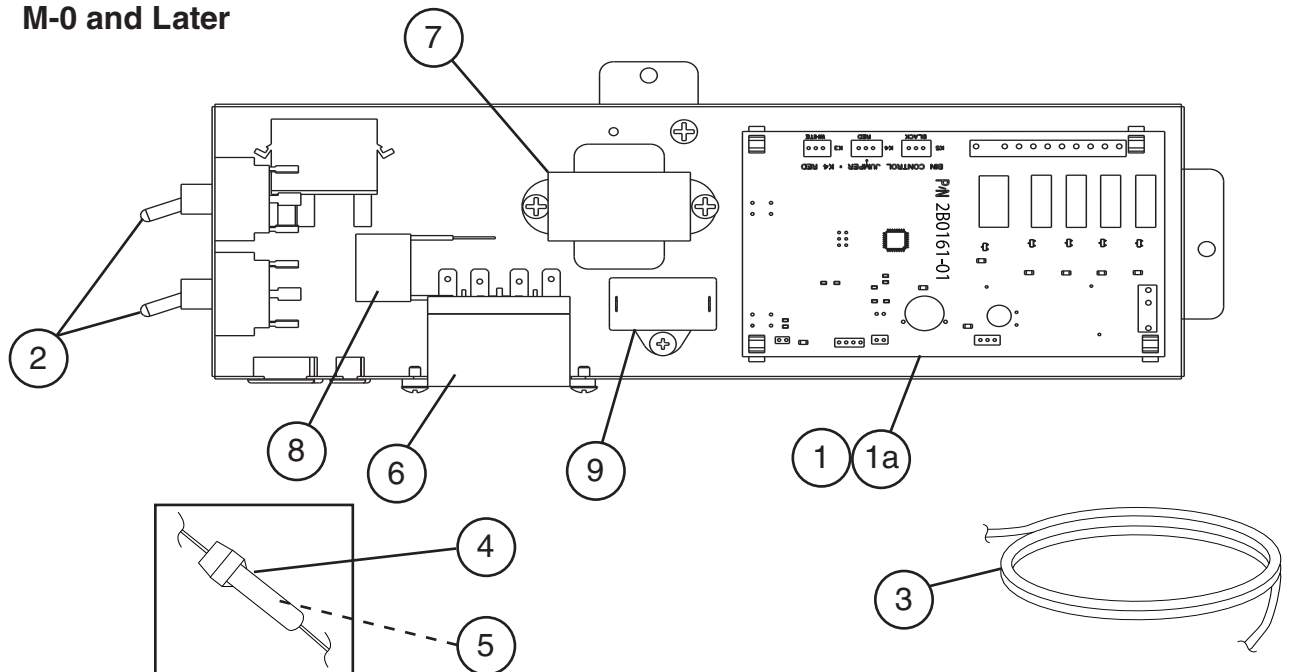
KM-231BAJ, KM-301B_J

J-0 to Q-0

L-1 and Earlier

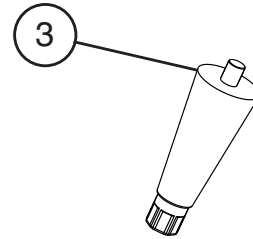
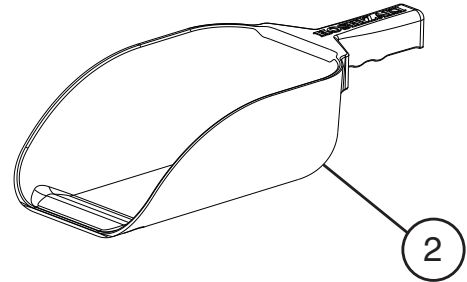
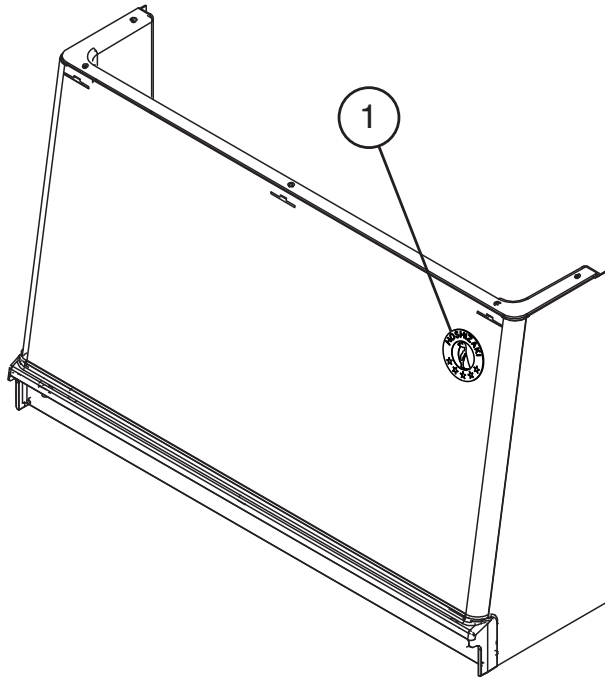


M-0 and Later



Title: D. Control Box Assembly Model: KM-231BAJ, KM-301B_J													
Index No.	Description	Material or Model Number	Part Number	Required Number									
				J-0 to L-1 (K)	L-1 (L) to L-2 (M)	M-0 (A) to M-0 (D)	M-0 (E)	M-0 (F) to Q-0					
1	Control Board		P01771-02	1	-								
			2B0161-01		1	1	1	1					
1a	Control Board Support		4A0336-03	4	4	4	4	4					
2	Toggle Switch		P00033-01	2	-								
			4A6232-01		2	2	-	-					
			443119-01				2	2					
3	Wire Harness (includes items 4 and 5 serial number L-2 and later)		1A6589-01		1	1	1	1					
4	Fuse Holder	SP-5557	P00014-01	1	-								
			4A6950-01		1	1	1	1					
5	Fuse	5A, 250V	P01143-01	1	1	1	1	1					
6	Power Relay		4A3140-01	1	1	1	1	1					
7	Control Transformer		3A4395-01	1	-								
			3A0172-01		1	1	1	1					
8	Noise Killer (capacitor)	.47 MFD, 275VAC	P00228-01	1	1	1	1	1					
9	Fan Motor Capacitor	6 MFD, 220VAC	443158-02			1	1	1					

E. Accessories & Labels
KM-231BAJ, KM-301B_J
 J-0 to Q-0



Title: E. Accessories & Labels Model: KM-231BAJ, KM-301B_J										
Index No.	Description	Material or Model Number	Part Number	Required Number						
				J-0 to P-3						
1	Penguin Label		475552L02	1						
2	Scoop		2X4119P01	1						
3	Leg		4A2525-01	4						