

# SS1095

## 14" Marine Crescent Ice Maker • Marine Series



### FEATURES & BENEFITS



#### PERFORMANCE

- Uses less than 3 gallons (11,4 litres) of water to produce up to 23 lb of ice per day
- Up to 12 lb (5,4 kg) in ice storage capacity
- Crescent ice cube dimensions: 1/2" W x 3/4" H x 2 1/4" L (12,7 mm W x 19 mm H x 57 mm L)
- On/Off switch is conveniently located on the grille
- Available in 115 or 220-240 volts

#### INTERIOR/EXTERIOR

- No drain required
- Door swing is field reversible, and is shipped right-hand hinged
- Standard travel package includes door latch, ensuring safe-at-sea storage
- Corrosion and UV resistant components provide product longevity in harsh environments

#### INTEGRATION

- Unit is designed to be built-in or can be freestanding
- Multiple flange options



STAINLESS SOLID (FLUSH TO CABINET)



STAINLESS SOLID (FLUSH TO DOOR)



STAINLESS SOLID (NO FLANGE)

### MODEL DETAILS

Model	Voltage/Hz	Door Swing	Finish	Shipping Weight
ULN-SS1095FC-03A	115 / 60	Field Reversible (Flush to Cabinet)	Stainless Solid	66 lb (30 kg)
ULN-SS1095FC-20A	220-240 / 50	Field Reversible (Flush to Cabinet)	Stainless Solid	66 lb (30 kg)
ULN-SS1095FD-03A	115 / 60	Field Reversible (Flush to Door)	Stainless Solid	66 lb (30 kg)
ULN-SS1095FD-20A	220-240 / 50	Field Reversible (Flush to Door)	Stainless Solid	66 lb (30 kg)
ULN-SS1095NF-03A	115 / 60	Field Reversible (No Flange)	Stainless Solid	66 lb (30 kg)
ULN-SS1095NF-20A	220-240 / 50	Field Reversible (No Flange)	Stainless Solid	66 lb (30 kg)

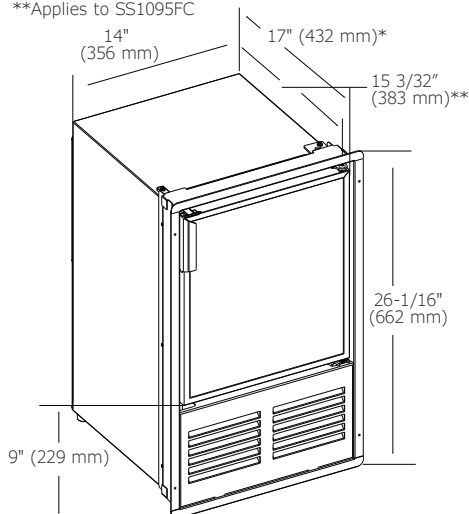
### ACCESSORIES

Model	Description	Finish	Shipping Weight
ULAWATERHOOKUP	Braided water supply line kit	N/A	2 lb
U-POWERCORD-2056	Power Cord 220 - 240 V Great Britain/Ireland	N/A	N/A
U-POWERCORD-2256	Power Cord 220 - 240 V Australia/New Zealand	N/A	N/A
U-POWERCORD-2667	Power Cord 220 - 240 V Continental Europe	N/A	N/A
U-POWERCORD-3071	Power Cord 220 - 240 V China	N/A	N/A
U-POWERCORD-3111	Power Cord 220 - 240 V India	N/A	N/A

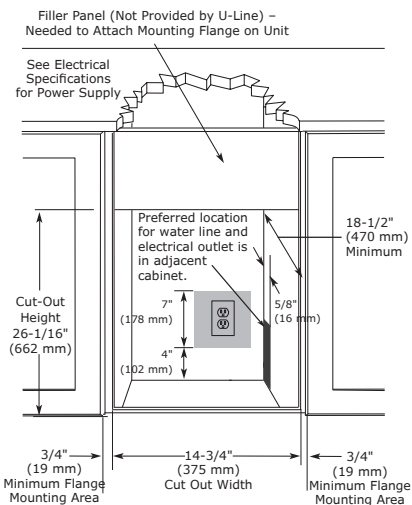
\*Power cord type must be specified with each U-Line order; no additional cost for power cord.

### DIMENSIONS

\*Add 1-1/2" For Water Line Clearance  
 \*\*Applies to SS1095FC



### CABINET CUT-OUT



### INSTALLATION NOTES

No additional clearance around sides, top or rear of unit is needed for ventilation.

Do not obstruct front grille air flow.

### SPECIFICATIONS

Model	SS1095
Amps: Running (115v)	2.5 amps
Amps: Running (220-240v)	1.2 amps
Amps: Max Start Up (115v)	18 amps
Amps: Max Start Up (220-240v)	6 amps
Control Type	On/Off Switch
Defrost Type	Manual
Dimensions (NF): Product Depth	17" (432 mm)
Dimensions (NF): Product Height	25 1/16" (637 mm)
Dimensions (NF): Product Width	14" (356 mm)
Dimensions (FC): Product Depth	17" (432 mm)
Dimensions (FC): Product Height	25 1/8" (638 mm)*
Dimensions (FC): Product Width	15 1/8" (384 mm)*
Dimensions (FD): Product Depth	17" (432 mm)
Dimensions (FD): Product Height	26 1/16" (662 mm)*
Dimensions (FD): Product Width	15 15/16" (405 mm)*
ENERGY STAR	N/A
Ice Production Per Day	23 lb (10,4 kg)
Ice Storage	12 lb (5,4 kg)
Product Weight: Max	60 lb (25 kg)
Refrigerant Type	R134A
Sabbath (Star K Certified)	No

\*Includes flange



UL listing only applies to 115 v models.

CE only applies to 220-240v models.



Please visit [u-line.com](http://u-line.com) to view this model's User Guide & Service Manual. All Specifications are subject to change without notice.