



24" WINE CELLAR, SINGLE ZONE, LEFT HINGE

HWC241L



Dual Zone model shown

GENERAL PROPERTIES

FINISH	STAINLESS STEEL & GLASS
--------	-------------------------

OPTIONAL ACCESSORIES

PRO HANDLE	AWCPH24	EPICURE HANDLE	AWCEH24
------------	---------	----------------	---------

TECHNICAL INFORMATION

ELECTRICAL REQUIREMENTS	115VAC/60HZ/15AMP
CIRCUIT REQUIRED	3-WIRE, GROUNDED, DEDICATED CIRCUIT 115 VAC @ 15 AMP, 60 HZ
ROOM TEMP REQUIREMENTS	60°F TO 90°F
POWER SUPPLY REQUIREMENTS	DO NOT CONNECT TO A CIRCUIT THAT IS TURNED ON AND OFF BY A SWITCH. FOLLOW THE NATIONAL ELECTRICAL CODE. USE 3 PRONG POWER CORD.
SHIPPING WEIGHT	117 LB
WARRANTY	LIMITED, PARTS AND LABOR 1 YEAR

PRODUCT DIMENSIONS

APPLIANCE DIMENSIONS (H X W X D) (IN.)	34"-36 1/2" X 23 1/2" X 23 3/8"
INTERIOR CAPACITY	54 BOTTLES

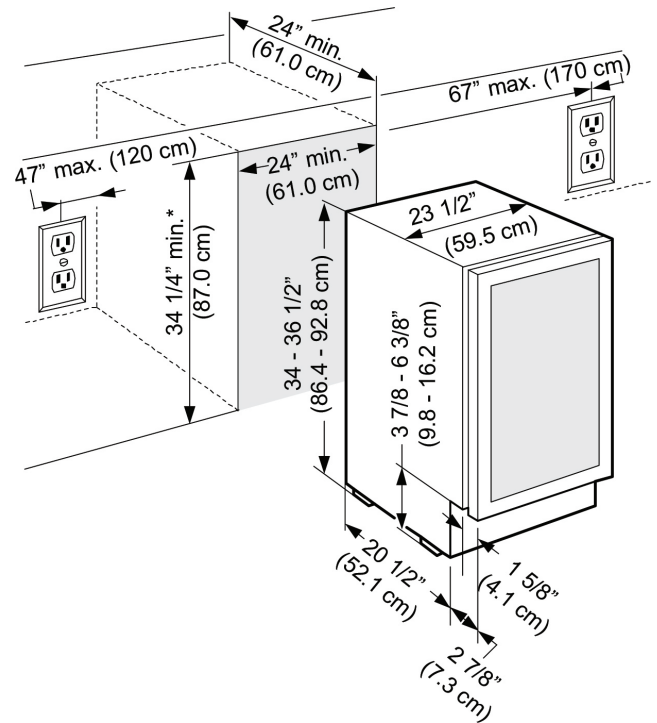
FEATURES & BENEFITS

- Large Internal Capacity holds up to 54 bottles (750ml).
- Single and Dual Zone models.
- Right Hand Hinge or Left Hand Hinge models.
- Automatic Defrosting System.
- Interior LED Lights provide a clear view of your wine collection.
- Dual Paned, UV resistant tempered glass door shields wines from harmful UV rays.
- DynamicClimate™ mode distributes relative humidity and temperature evenly throughout the unit so that all stored bottles are preserved under the same conditions.
- Ozone friendly R-600a refrigerant cools more efficiently and helps protect our environment.
- Temperature alarm alerts you when the temperature rises above the desired temperature.
- EasyGlide™ beechwood slide out racks.
- Low vibration cooling system quietly maintains interior temperature.
- Sabbath Mode.
- Electronic control panel to easily view and adjust settings.
- Door lock and door alarm.
- Optional Pro or Epicure handle accessory available

LOCATION REQUIREMENTS

- Operate the appliance only on a solid, stable and level surface. Do not operate on top of carpeting, or other soft surface.
- Locate the wine cellar in a convenient location, away from extreme heat and cold. Locate it away from direct sunlight. It should not be located next to ovens, grills or other sources of high heat. It is suggested that it be located in the coolest part of the room.
- Place your appliance on a floor that is strong enough to support it when it is fully loaded. It weighs 100 lbs (45 kG) unloaded.
- To ensure proper ventilation, the front of the unit must be completely unobstructed. Choose a well ventilated area with temperatures between 60° and 90° F. The units must be installed in an area protected from the elements (such as wind, rain, water spray or drips).
- Optimal spacing for ventilation around the appliance (for maximum efficiency) is 5 inches (12.7 cm) in back, at the sides and above. The Dacor wine cellar may be recessed in an opening between cabinets or installed at the end of a cabinet run using a side panel to enclose it. When installing in an enclosed space, the absolute minimum space is 1/4" (5.0 mm) of space on both sides, 1/2" (5.0 mm) of space at the top and 2 1/4" (5.7 cm) in back. See Diagram at right.
- The overall height of the appliance can be increased by 2 1/2" (6.4 cm) by adjusting the feet.
- The electrical outlet must be accessible after installation so that the user can unplug the appliance.
- It is advisable to install the appliance with sufficient ventilation in a dry and/or an air conditioned place to avoid condensation on build up on the door during periods of high humidity

CABINET CUTOUT AND PRODUCT DIMENSIONS





24" WINE CELLAR, SINGLE ZONE, RIGHT HINGE

HWC241R



*2-Zone unit pictured

GENERAL PROPERTIES

FINISH	STAINLESS STEEL & GLASS
--------	-------------------------

OPTIONAL ACCESSORIES

PRO HANDLE	AWCPH24	EPIPURE HANDLE	AWCEH24
------------	---------	----------------	---------

TECHNICAL INFORMATION

ELECTRICAL REQUIREMENTS	115VAC/60HZ/15AMP
-------------------------	-------------------

CIRCUIT REQUIRED	3-WIRE, GROUNDED, DEDICATED CIRCUIT 115 VAC @ 15 AMP, 60 HZ
------------------	---

ROOM TEMP REQUIREMENTS	60°F TO 90°F
------------------------	--------------

POWER SUPPLY REQUIREMENTS	DO NOT CONNECT TO A CIRCUIT THAT IS TURNED ON AND OFF BY A SWITCH. FOLLOW THE NATIONAL ELECTRICAL CODE. USE 3 PRONG POWER CORD.
---------------------------	---

SHIPPING WEIGHT	117 LB
-----------------	--------

WARRANTY	LIMITED, PARTS AND LABOR 1 YEAR
----------	---------------------------------

PRODUCT DIMENSIONS

APPLIANCE DIMENSIONS (H X W X D) (IN)	34"-36 1/2" X 23 1/2" X 23 3/8"
---------------------------------------	---------------------------------

INTERIOR CAPACITY	54 BOTTLES
-------------------	------------

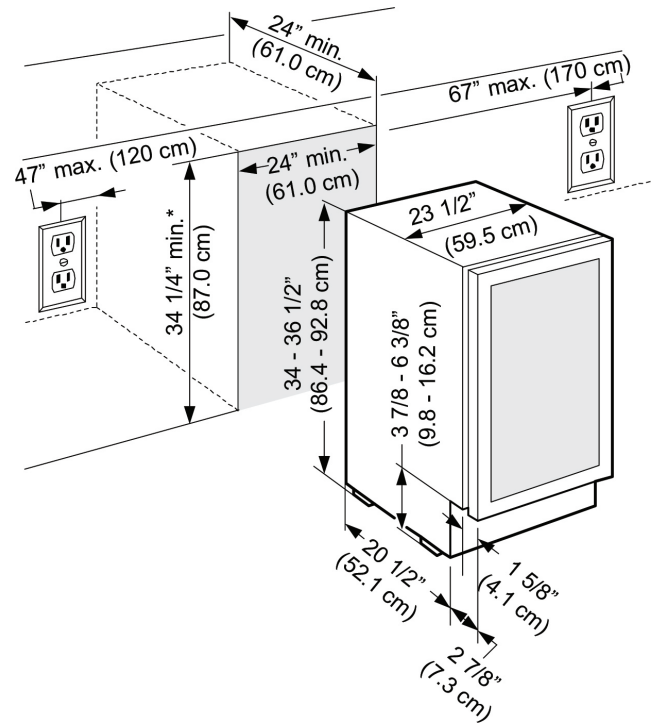
FEATURES & BENEFITS

- Large Internal Capacity holds up to 54 bottles (750ml).
- Single and Dual Zone models.
- Right Hand Hinge or Left Hand Hinge models.
- Automatic Defrosting System.
- Interior LED Lights provide a clear view of your wine collection.
- Dual Paned, UV resistant tempered glass door shields wines from harmful UV rays.
- DynamicClimate™ mode distributes relative humidity and temperature evenly throughout the unit so that all stored bottles are preserved under the same conditions.
- Ozone friendly R-600a refrigerant cools more efficiently and helps protect our environment.
- Temperature alarm alerts you when the temperature rises above the desired temperature.
- EasyGlide™ beechwood slide out racks.
- Low vibration cooling system quietly maintains interior temperature.
- Sabbath Mode.
- Electronic control panel to easily view and adjust settings.
- Door lock and door alarm.
- Optional Pro or Epicure handle accessory available

LOCATION REQUIREMENTS

- Operate the appliance only on a solid, stable and level surface. Do not operate on top of carpeting, or other soft surface.
- Locate the wine cellar in a convenient location, away from extreme heat and cold. Locate it away from direct sunlight. It should not be located next to ovens, grills or other sources of high heat. It is suggested that it be located in the coolest part of the room.
- Place your appliance on a floor that is strong enough to support it when it is fully loaded. It weighs 100 lbs (45 kG) unloaded.
- To ensure proper ventilation, the front of the unit must be completely unobstructed. Choose a well ventilated area with temperatures between 60° and 90° F. The units must be installed in an area protected from the elements (such as wind, rain, water spray or drips).
- Optimal spacing for ventilation around the appliance (for maximum efficiency) is 5 inches (12.7 cm) in back, at the sides and above. The Dacor wine cellar may be recessed in an opening between cabinets or installed at the end of a cabinet run using a side panel to enclose it. When installing in an enclosed space, the absolute minimum space is 1/4" (5.0 mm) of space on both sides, 1/2" (5.0 mm) of space at the top and 2 1/4" (5.7 cm) in back. See Diagram at right.
- The overall height of the appliance can be increased by 2 1/2" (6.4 cm) by adjusting the feet.
- The electrical outlet must be accessible after installation so that the user can unplug the appliance.
- It is advisable to install the appliance with sufficient ventilation in a dry and/or an air conditioned place to avoid condensation on build up on the door during periods of high humidity

CABINET CUTOUT AND PRODUCT DIMENSIONS





24" WINE CELLAR, DUAL ZONE, LEFT HINGE

HWC242L



GENERAL PROPERTIES

FINISH	STAINLESS STEEL & GLASS
--------	-------------------------

OPTIONAL ACCESSORIES

PRO HANDLE	AWCPH24	EPIPURE HANDLE	AWCEH24
------------	---------	----------------	---------

TECHNICAL INFORMATION

ELECTRICAL REQUIREMENTS	115VAC/60HZ/15AMP
-------------------------	-------------------

CIRCUIT REQUIRED	3-WIRE, GROUNDED, DEDICATED CIRCUIT 115 VAC @ 15 AMP, 60 HZ
------------------	---

ROOM TEMP REQUIREMENTS	60°F TO 90°F
------------------------	--------------

POWER SUPPLY REQUIREMENTS	DO NOT CONNECT TO A CIRCUIT THAT IS TURNED ON AND OFF BY A SWITCH. FOLLOW THE NATIONAL ELECTRICAL CODE. USE 3 PRONG POWER CORD.
---------------------------	---

SHIPPING WEIGHT	117 LB
-----------------	--------

WARRANTY	LIMITED, PARTS AND LABOR 1 YEAR
----------	---------------------------------

PRODUCT DIMENSIONS

APPLIANCE DIMENSIONS (H X W X D) (IN.)	34"-36 1/2" X 23 1/2" X 23 3/8"
--	---------------------------------

INTERIOR CAPACITY	45 BOTTLES
-------------------	------------

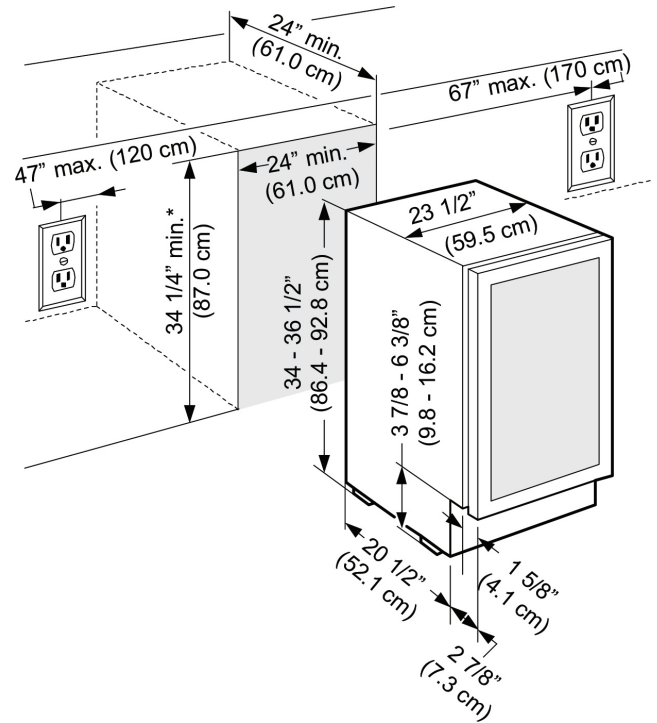
FEATURES & BENEFITS

- Large Internal Capacity holds up to 45 bottles (750ml).
- Single and Dual Zone models.
- Right Hand Hinge or Left Hand Hinge models.
- Automatic Defrosting System.
- Interior LED Lights provide a clear view of your wine collection.
- Dual Paned, UV resistant tempered glass door shields wines from harmful UV rays.
- DynamicClimate™ mode distributes relative humidity and temperature evenly throughout the unit so that all stored bottles are preserved under the same conditions.
- Ozone friendly R-600a refrigerant cools more efficiently and helps protect our environment.
- Temperature alarm alerts you when the temperature rises above the desired temperature.
- EasyGlide™ beechwood slide out racks.
- Low vibration cooling system quietly maintains interior temperature.
- Sabbath Mode.
- Electronic control panel to easily view and adjust settings.
- Door lock and door alarm.
- Optional Pro or Epicure handle accessory available

LOCATION REQUIREMENTS

- Operate the appliance only on a solid, stable and level surface. Do not operate on top of carpeting, or other soft surface.
- Locate the wine cellar in a convenient location, away from extreme heat and cold. Locate it away from direct sunlight. It should not be located next to ovens, grills or other sources of high heat. It is suggested that it be located in the coolest part of the room.
- Place your appliance on a floor that is strong enough to support it when it is fully loaded. It weighs 100 lbs (45 kG) unloaded.
- To ensure proper ventilation, the front of the unit must be completely unobstructed. Choose a well ventilated area with temperatures between 60° and 90° F. The units must be installed in an area protected from the elements (such as wind, rain, water spray or drips).
- Optimal spacing for ventilation around the appliance (for maximum efficiency) is 5 inches (12.7 cm) in back, at the sides and above. The Dacor wine cellar may be recessed in an opening between cabinets or installed at the end of a cabinet run using a side panel to enclose it. When installing in an enclosed space, the absolute minimum space is 1/4" (5.0 mm) of space on both sides, 1/2" (5.0 mm) of space at the top and 2 1/4" (5.7 cm) in back. See Diagram at right.
- The overall height of the appliance can be increased by 2 1/2" (6.4 cm) by adjusting the feet.
- The electrical outlet must be accessible after installation so that the user can unplug the appliance.
- It is advisable to install the appliance with sufficient ventilation in a dry and/or an air conditioned place to avoid condensation on build up on the door during periods of high humidity

CABINET CUTOUT AND PRODUCT DIMENSIONS





24" WINE CELLAR, DUAL ZONE, RIGHT HINGE

HWC242R



GENERAL PROPERTIES

FINISH STAINLESS STEEL & GLASS

OPTIONAL ACCESSORIES

PRO HANDLE AWCPH24 EPIPURE HANDLE AWCEH24

TECHNICAL INFORMATION

ELECTRICAL REQUIREMENTS 115VAC/60HZ/15AMP

CIRCUIT REQUIRED 3-WIRE, GROUNDED, DEDICATED CIRCUIT 115 VAC @ 15 AMP, 60 HZ

ROOM TEMP REQUIREMENTS 60°F TO 90°F

POWER SUPPLY REQUIREMENTS DO NOT CONNECT TO A CIRCUIT THAT IS TURNED ON AND OFF BY A SWITCH. FOLLOW THE NATIONAL ELECTRICAL CODE. USE 3 PRONG POWER CORD.

SHIPPING WEIGHT 117 LB

WARRANTY LIMITED, PARTS AND LABOR 1 YEAR

PRODUCT DIMENSIONS

APPLIANCE DIMENSIONS (H X W X D) (IN.) 34"-36 1/2" X 23 1/2" X 23 3/8"

INTERIOR CAPACITY 45 BOTTLES

FEATURES & BENEFITS

- Large Internal Capacity holds up to 45 bottles (750ml).
- Single and Dual Zone models.
- Right Hand Hinge or Left Hand Hinge models.
- Automatic Defrosting System.
- Interior LED Lights provide a clear view of your wine collection.
- Dual Paned, UV resistant tempered glass door shields wines from harmful UV rays.
- DynamicClimate™ mode distributes relative humidity and temperature evenly throughout the unit so that all stored bottles are preserved under the same conditions.
- Ozone friendly R-600a refrigerant cools more efficiently and helps protect our environment.
- Temperature alarm alerts you when the temperature rises above the desired temperature.
- EasyGlide™ beechwood slide out racks.
- Low vibration cooling system quietly maintains interior temperature.
- Sabbath Mode.
- Electronic control panel to easily view and adjust settings.
- Door lock and door alarm.
- Optional Pro or Epicure handle accessory available

LOCATION REQUIREMENTS

- Operate the appliance only on a solid, stable and level surface. Do not operate on top of carpeting, or other soft surface.
- Locate the wine cellar in a convenient location, away from extreme heat and cold. Locate it away from direct sunlight. It should not be located next to ovens, grills or other sources of high heat. It is suggested that it be located in the coolest part of the room.
- Place your appliance on a floor that is strong enough to support it when it is fully loaded. It weighs 100 lbs (45 kG) unloaded.
- To ensure proper ventilation, the front of the unit must be completely unobstructed. Choose a well ventilated area with temperatures between 60° and 90° F. The units must be installed in an area protected from the elements (such as wind, rain, water spray or drips).
- Optimal spacing for ventilation around the appliance (for maximum efficiency) is 5 inches (12.7 cm) in back, at the sides and above. The Dacor wine cellar may be recessed in an opening between cabinets or installed at the end of a cabinet run using a side panel to enclose it. When installing in an enclosed space, the absolute minimum space is 1/4" (5.0 mm) of space on both sides, 1/2" (5.0 mm) of space at the top and 2 1/4" (5.7 cm) in back. See Diagram at right.
- The overall height of the appliance can be increased by 2 1/2" (6.4 cm) by adjusting the feet.
- The electrical outlet must be accessible after installation so that the user can unplug the appliance.
- It is advisable to install the appliance with sufficient ventilation in a dry and/or an air conditioned place to avoid condensation on build up on the door during periods of high humidity

CABINET CUTOUT AND PRODUCT DIMENSIONS

