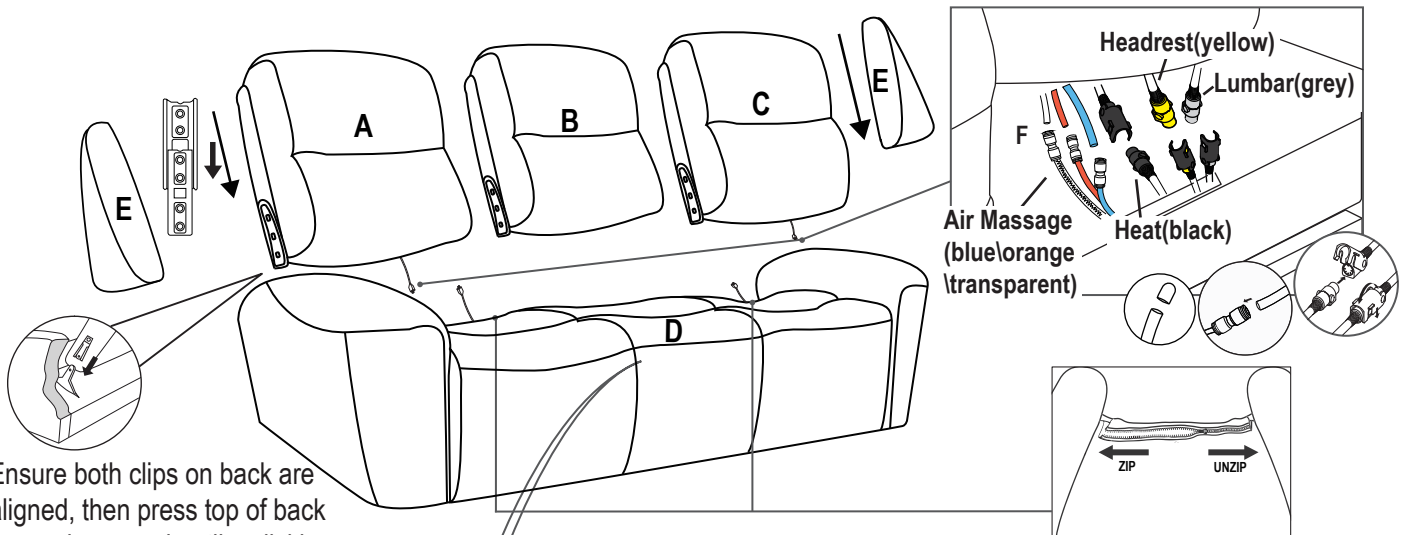
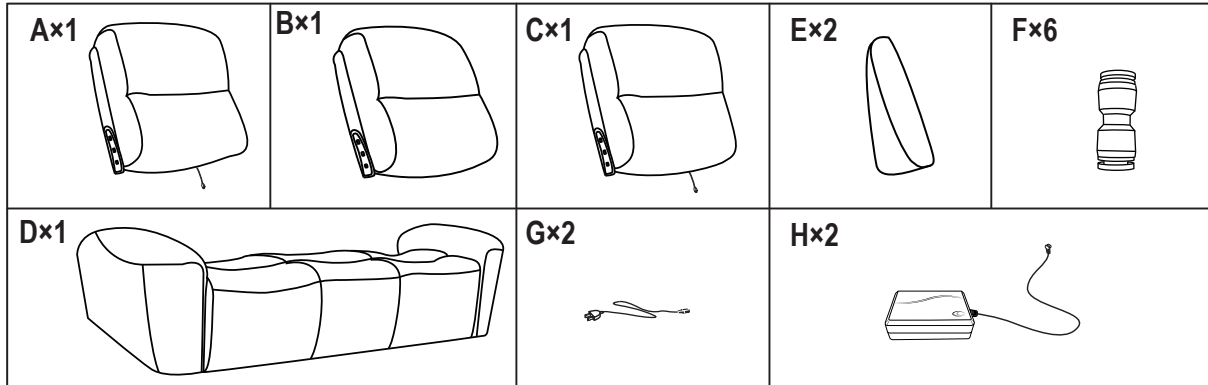


# Assembly Instructions— Sofa with Drop-Down Table & Multimedia Control Console

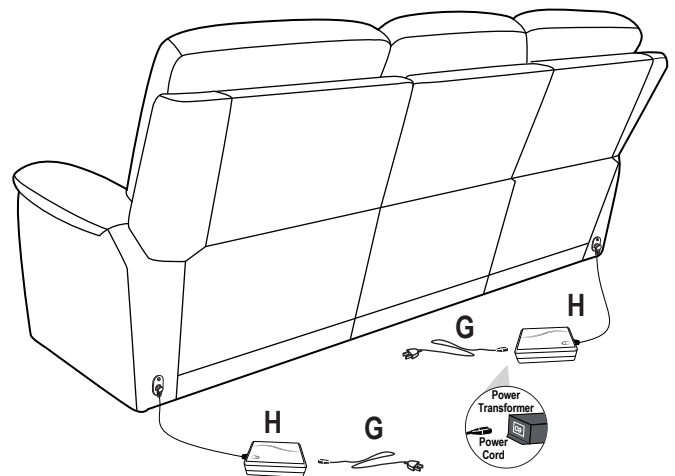
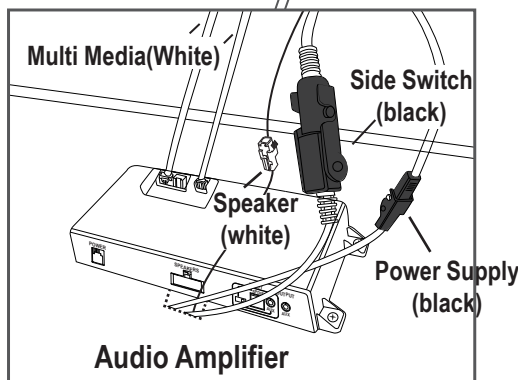
Thank you for purchasing this quality product. Be sure to check all packing material carefully for small parts that may have come loose inside the carton during shipment.

Inside the carton you will find two plastic bags that have the sofa's wings in it. Remove the wings from the plastic bags and set them aside to be used in assembly and installation.

**Make sure to read the instructions below before assembling your Sofa.**



Ensure both clips on back are aligned, then press top of back frame downward until a clicking sound is heard.



Do Not plug the power cord into a power outlet until your furniture is fully assembled and in place.

Notes:

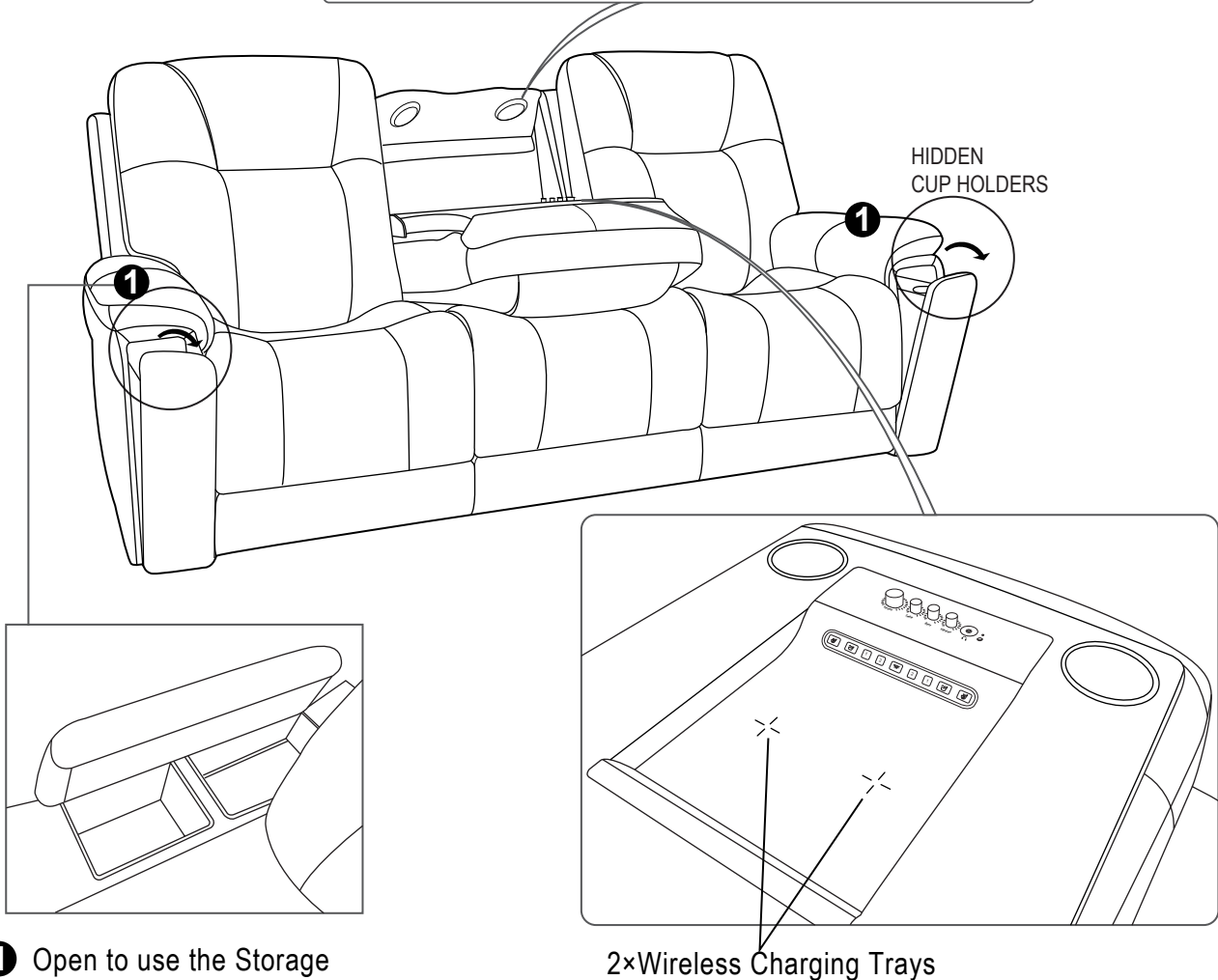
- 1) Please read the operating instructions carefully before operating your furniture.

**IMPORTANT NOTE**

- To avoid any risk of suffocation to children or pets, dispose of all plastic bags immediately.
- To ensure proper performance, occasionally check for loose screws and tighten as needed.

**TOUCH-SENSITIVE LED LIGHTS**

Tap the centre of the lamp to turn it on. A second tap increases brightness. A third tap turns it off.



**1** Open to use the Storage

2×Wireless Charging Trays

**FCC INSTRUCTION**

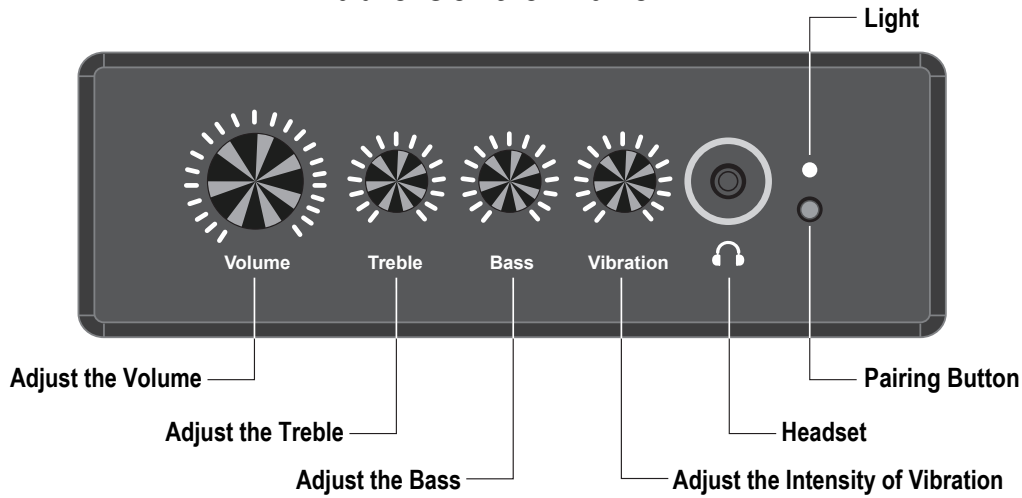
**CAUTION:** Changes or modifications not expressly approved by the party responsible for compliance could void the user's authority to operate the equipment.

**NOTE:** This equipment has been tested and found to comply with the limits for a Class B digital device, pursuant to Part 15 of the FCC Rules. These limits are designed to provide reasonable protection against harmful interference in a residential installation. This equipment generates, uses, and can radiate radio frequency energy and, if not installed and used in accordance with the instructions, may cause harmful interference to radio communications. However, there is no guarantee that interference will not occur in a particular installation. If this equipment does cause harmful interference to radio or television reception, which can be determined by turning the equipment off and on, the user is encouraged to try to correct the interference by one more of the following measures:

- Reorient or relocate the receiving antenna.
- Increase the distance between the equipment and receiver.
- Connect the equipment into an outlet on a circuit different from that to which the receiver is connected.
- Consult the dealer or an experienced radio/TV technician for help.

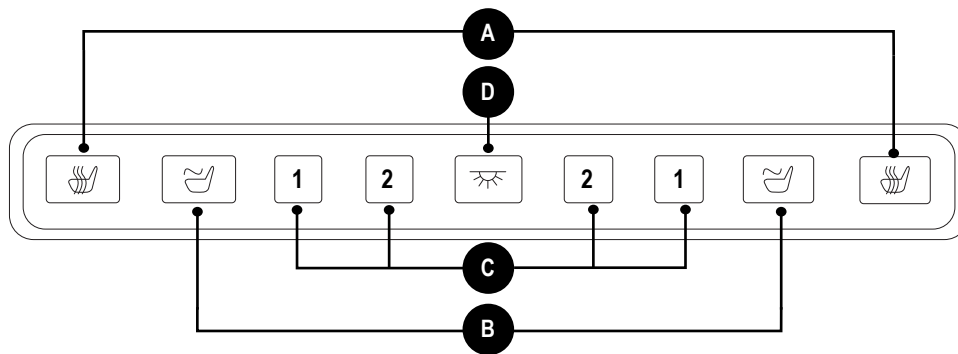
**Caution: Read the important instructions below before operating your power mechanized equipment  
 Do not allow children to play on or operate this power mechanized equipment**

### Audio Control Panel



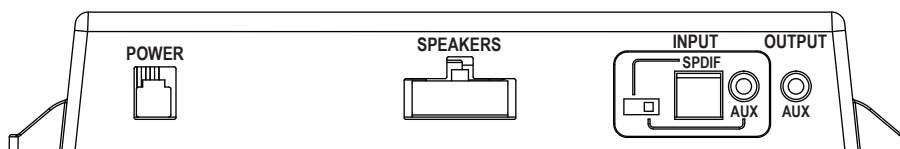
#### How to Connect Wireless

Press and hold the Pairing button, the LEDs on the memory buttons will flash to indicate that the control is in “pair” mode. Switch on the pairing function on your device.



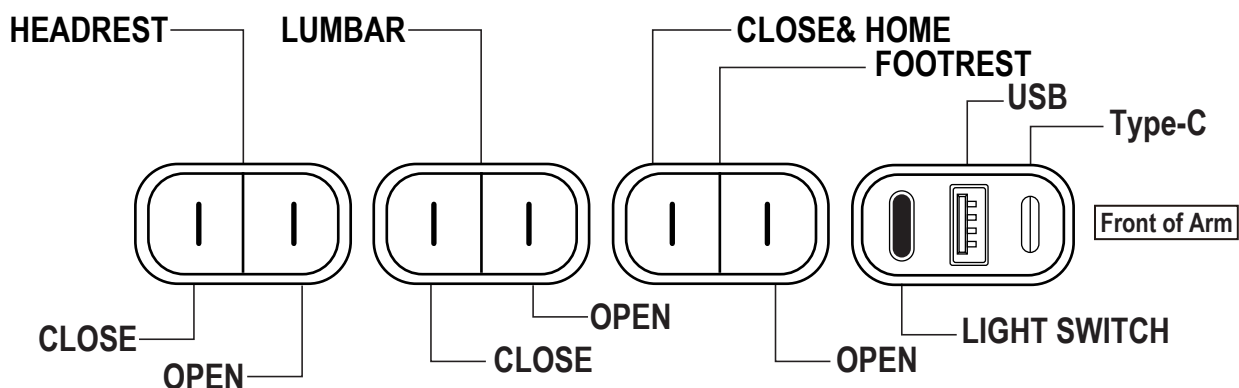
- A HEAT BUTTON**  
 Press the heat button to activate the heat function.  
 Press again to cycle intensity through low, medium, and high heat.
- B AIR MASSAGE BUTTON**  
 Press the air massage button to activate the massage function. Press again to cycle through low, medium, and high intensity.
- C Set Up Memory Function**  
 To setup memory function, adjust the chair position as the user desires, then press and hold the “ 1” & “2” together for 4 to 5 seconds, then press “1” or “2” to save the position until you hear a beep sound from the control box, to indicate that setup is complete.
- D Lighting:**  
 Press the lighting button to turn on or turn off.

### Audio Amplifier



This is located behind the back flap of the center seat of the sofa. AUX input, AUX output, and S/PDIF are located on the Audio Amplifier. You can connect multiple devices by using a 3.5mm AUX cable connecting the AUX input to the audio source and then connecting another 3.5mm AUX cable from AUX output to the AUX input of the next Multimedia control box. 3.5mm AUX cable sold separately.

**Caution: Read the important instructions below before operating your power mechanized equipment  
Do not allow children to play on or operate this power mechanized equipment**



**Care should always be taken to assure there is nothing in the path of the mechanism before and during operation.**

**To Recline:** Sit on the furniture, and press the front of the button closest to the footrest to smoothly raise the footrest and recline to any position, the headrest and lumbar support will be raised when recline the backrest. To lower the footrest and return to an upright position, press the back side of the button closest to the footrest.

**To adjust headrest:** Press the front of the button closest to the backrest to smoothly raise and adjust the headrest to any position. To lower the headrest and return it to its original position, press the back side of the button closest to the backrest.

**To adjust lumbar support:** Press the front of the center button to smoothly raise and adjust the lumbar support to any position. To lower the lumbar support and return it to its original position, press the back side of the center button.

**To close all:** To simultaneously return the headrest, footrest, and lumbar support to their original positions, press and hold the back side of the button closest to the footrest.

## WARNINGS & CAUTIONS

- To avoid injury, use care when assembling.
- Use on level surface.
- Adult supervision when used by children.
- Exceeding this weight may damage product and cause potential injury.
- For indoor use only.
- To avoid any risk of suffocation to children or pets, dispose of all plastic bags immediately.
- To ensure proper performance, occasionally check for loose screws and tighten as needed.

## Customer Service

If you have any questions regarding the use of this unit or find that your unit needs service, please contact your retailer.