

# OWNER'S MANUAL FRENCH DOOR REFRIGERATOR

Please read this owner's manual thoroughly before operating and keep it handy for reference at all times.

Model Name/Nombre del modelo    \*\*=color number/número de color

LFC22770**	LFC24786**	GF22BGS	GF24BGSK
LFC24770**	GF24BGS	GM-B223RSNM	GF22BGSK1
LFNS22520*	LFCS22520*	GF22BGSK	LFNS22530*
LRFNS2200*	GM22BIP	LM22BGTK	



# TABLE OF CONTENTS

## 3 PRODUCT FEATURES

---

## 4 IMPORTANT SAFETY INSTRUCTIONS

---

## 7 COMPONENTS

---

7 Refrigerator Exterior

8 Refrigerator Interior

## 9 INSTALLATION

---

9 Installation Overview

10 Specifications

11 Unpacking Your Refrigerator

11 Choosing the Proper Location

11 - Flooring

12 - Ambient Temperature

12 - Measuring the Clearances

12 Removing/Assembling the Refrigerator Door Handles

13 Removing/Assembling the Freezer Drawer Handle

13 Removing/Assembling the Doors and Drawers

14 - Removing the Left Refrigerator Door

15 - Removing the Right Refrigerator Door

16 - Assembling the Right Refrigerator Door

17 - Assembling the Left Refrigerator Door

18 - Removing the Freezer Drawers

19 - Assembling the Freezer Drawers

20 Connecting the Water Line

20 - Before You Begin

20 - Water Pressure

20 - What You Will Need

22 - Water Line Installation Instructions

24 Turning On the Power

24 Leveling and Door Alignment

24 - Leveling

25 - Door Alignment

## 26 HOW TO USE

---

26 Before Use

27 Control Pad

27 - Control Pad Features

28 Automatic Icemaker

28 - Turning the Automatic Icemaker On or Off

29 - When You Should Turn the Icemaker Off

29 - Normal Sounds You May Hear

29 - Preparing for Vacation

30 Storing Food

30 - Food Preservation Location

31 - Food Storage Tips

31 - Storing Frozen Food

32 Humidity Controlled Crisper and Glide'N'Serve

33 Detaching and Assembling the Storage Bins

34 Adjusting the Refrigerator Shelves

## 35 MAINTENANCE

---

35 Cleaning

## 36 SMART DIAGNOSIS™

---

36 Using Smart Diagnosis™

## 37 TROUBLESHOOTING

---

## 44 WARRANTY

---

# PRODUCT FEATURES

\* Depending on the model, some of the following functions may not be available.



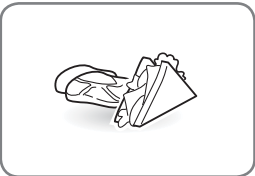
## DOOR ALARM

The Door Alarm function is designed to prevent refrigerator malfunctioning that could occur if a refrigerator door or freezer drawer remains open. If a refrigerator door or freezer drawer is left open for more than 60 seconds, a warning alarm sounds at 30 second intervals.



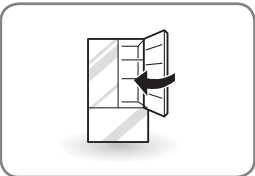
## HUMIDITY CONTROLLED CRISPERS

The Humidity Controlled Crispers are designed to help keep your fruits and vegetables fresh and crisp. You can control the amount of humidity in the crispers by adjusting the settings between Low and High.



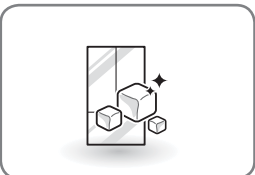
## GLIDE 'N' SERVE

Glide 'N' Serve provides storage space with a variable temperature control that keeps the compartment colder than the refrigerator. It is a convenient place to store sandwiches or meat to be cooked.



## AUTO CLOSING HINGE

The refrigerator doors and freezer drawers close automatically with a slight push. (The door only closes automatically when it is open at an angle less than 30°.)



## ICE PLUS

Ice production can be increased by approximately 20 percent when the freezer section is maintained at the coldest temperature for a 24-hour period.

# IMPORTANT SAFETY INSTRUCTIONS

## READ ALL INSTRUCTIONS BEFORE USING THE APPLIANCE.

This guide contains many important safety messages. Always read and obey all safety messages.



This is the safety alert symbol. It alerts you to safety messages that inform you of hazards that can kill or hurt you or others, or cause damage to the product.

All safety messages will be preceded by the safety alert symbol and the hazard signal word **WARNING** or **CAUTION**. These words mean:



**WARNING** You can be killed or seriously injured if you do not follow these instructions.



**CAUTION** Indicates an imminently hazardous situation which, if not avoided, may result in minor or moderate injury, or product damage.

To reduce the risk of fire, electric shock, or personal injury when using your product, basic safety precautions should be followed, including the following:

### Power

- NEVER unplug your refrigerator by pulling on the power cord. Always grip the plug firmly and pull it straight out from the outlet.
- If the supply cord is damaged, it must be replaced by the manufacturer or its service agent or a similarly qualified person in order to avoid a safety hazard. Do not use a cord that shows cracks or abrasion damage along its length or at either the plug or connector end.
- Do not use an uncertified power outlet.
- Unplug the power plug immediately in the event of a blackout or thunderstorm.
- Plug in the power plug with the power cord facing downward.
- Do not use extension cords and adapters ungrounded.

### Installation

- Contact an authorized service center when you install or relocate the refrigerator.
- When moving your refrigerator away from the wall, be careful not to roll over or damage the power cord.
- Prior to use, ensure that you are connecting this product to a dedicated grounded electrical outlet rated for use with this product (115/127V~60Hz, AC only). It is the user's responsibility to replace a standard 2-prong wall outlet with a standard 3-prong wall outlet.
- Do not install the refrigerator where there may be a danger of the unit falling.

### Use

- DO NOT allow children to climb, stand, or hang on the refrigerator doors or on the shelves in the refrigerator. They could damage the refrigerator and seriously injure themselves.
- Do not hang on to or place heavy objects on the refrigerator's dispenser.
- Do not place heavy or dangerous objects (bottles with liquid) on the refrigerator.
- Do not put live animals inside the refrigerator.
- Do not allow children to climb into the product when it is in use.
- In the event of a gas leak (propane/LPG), ensure adequate ventilation and contact an authorized service center before resuming use. Do not touch or disassemble the electrical outlet of the refrigerator.
- In the event of a refrigerant leak, move flammable objects away from the refrigerator. Ensure adequate ventilation and contact an authorized service center.
- Do not use or place flammable substances (chemicals, medicine, cosmetics, etc) near the refrigerator or store them inside the refrigerator. Do not place the refrigerator in the vicinity of flammable gas.

**READ ALL INSTRUCTIONS BEFORE USING THE APPLIANCE.**

To reduce the risk of fire, electric shock, or personal injury when using your product, basic safety precautions should be followed, including the following:

- This product is not to be used for special purposes such as the storage of medicine or test materials or for use on ships, etc.
- Unplug the power plug before cleaning or repairing the refrigerator, when finished reconnects refrigerator and reset the control of thermostat (refrigerator or freezer) to the desire position.
- When you replace the light bulb in the refrigerator, unplug the refrigerator or turn off the power.
- Do not modify or extend the power cord.
- Do not use a dryer to dry the interior. Do not light a candle to remove interior odors.
- For your safety, this appliance must be properly grounded. Have the wall outlet and the circuit checked by a qualified electrician to make sure the outlet is properly grounded.
- Do not use an outlet that can be turned off with a switch. Do not use an extension cord. It is the user's responsibility to replace a standard 2-prong wall outlet with a standard 3-prong wall outlet.
- Do not, under any circumstances, cut or remove the third (ground) prong from the power cord.
- Do not use an adapter plug and plug the power plug into a multi-outlet extension cord.
- Disconnect the power cord immediately if you hear a noise, smell a strange odor or detect smoke coming from the appliance.
- Turn the power off if water or dust penetrates into the refrigerator. Call a service agent.
- Do not disassemble or modify the refrigerator.
- Do not put hands, feet, or metal objects below or behind the refrigerator.
- Do not operate the refrigerator or touch the power cord with wet hands.
- In refrigerators with automatic icemakers, avoid contact with the moving parts of the ejector mechanism or with the heating element that releases the cubes. Do not place fingers or hands on the automatic ice-making mechanism while the refrigerator is plugged in.
- When dispensing ice from the dispenser, do not use crystal ceramics.
- Do not touch the cold surfaces in the freezer compartment with wet or damp hands, when your refrigerator is in operation.
- Do not put glass containers, glass bottles or soda in the freezer.
- This appliance is not intended for use by persons (including children) with reduced physical, sensory or mental capabilities, or lack of experience and knowledge, unless they have been given supervision or instruction concerning the use of the appliance by a person responsible for their safety. Children should be supervised to assure that they do not play with the appliance.
- Do not refreeze frozen food that has thawed completely. Doing so may result in a serious health issue.
- If you are throwing away your old refrigerator, make sure the CFC or HCFC coolant is removed for proper disposal by a qualified servicer. If you release CFC/HCFC coolant, you may be fined or imprisoned in accordance with the relevant environmental law.
- Junked or abandoned refrigerators are dangerous, even if they are sitting for only a few days. When disposing of the refrigerator, remove the packing materials from the door or take off the doors but leave the shelves in place so that children may not easily climb inside.
- If the refrigerator is connected to a circuit protected by fuses, use time delay fuses.
- If the use of this unit is no longer needed, please contact local authorities to dispose of this product in a safe way due contains Pentane-cycle or pentane like gas for insulation. Insulation gases require a special elimination process. This product contains flammable.
- Keep ventilation openings, in the appliance enclosure or in the built-in structure, clear of obstruction.

**READ ALL INSTRUCTIONS BEFORE USING THE APPLIANCE.**

To reduce the risk of fire, electric shock, or personal injury when using your product, basic safety precautions should be followed, including the following:

**Risk of Fire and Flammable Materials**

\*Refrigerant type is indicated in the label inside your refrigerator, this warning apply just for models with R600a refrigerant.



This appliance contains a small amount of isobutane refrigerant (R600a), which is combustible. When transporting and installing the appliance, care should be taken to ensure that no parts of the refrigerating circuit are damaged. Refrigerant squirting out of the pipes could ignite or cause an eye injury. If a leak is detected, avoid any naked flames or potential sources of ignition and air the room in which the appliance is standing for several minutes. In order to avoid the creation of a flammable gas air mixture if a leak in the refrigerating circuit occurs, the size of the room in which the appliance may be sited depends on the amount of refrigerant used. The room must be 10.8 square feet (1 square meter) in size for every 8g of R600a refrigerant inside the appliance. The amount of refrigerant in your particular appliance is shown on the identification plate inside the appliance. Never start up an appliance showing any signs of damage. If in doubt, consult your dealer.

**CAUTION**

Installation

- The refrigerator must be properly installed in accordance with the Installer Instructions that were taped to the front of the refrigerator.
- Be careful when you unpack and install the refrigerator. Immediately dispose of plastic and other packing materials out of the reach of children.
- The appliance must be positioned for easy access to a power source.

Use

- Close the door carefully when children are around.
- Keep fingers out of pinch point areas; clearances between the doors and cabinets are necessarily small. Be careful closing doors when children are nearby.
- If you store food improperly, be aware that it may fall and cause injury.
- Do not use aerosols near the refrigerator.
- Do not store articles on the top of the appliance.

Maintenance

- Do not use strong detergents like wax or thinners for cleaning. Clean with a soft cloth.
- Wipe foreign objects (such as dust and water) off the prongs of the power plug and contact areas regularly.
- Do not store, disassemble or repair the refrigerator by yourself.
- Remove any dust or foreign matter from the power plug pins.
- Do not use a wet or damp cloth when cleaning the plug.
- If the refrigerator is disconnected from the power supply, wait for at least five minutes before plugging it back in.
- If you notice a chemical or burning plastic smell or see smoke, unplug the refrigerator immediately and contact your LG Electronics Service Center.



**WARNING**

**DO NOT USE MECHANICAL DEVICES**

Do not use mechanical devices or other means to accelerate the defrosting process, only those recommended by the manufacturer.



**WARNING**

**DO NOT STORE ELECTRICAL**

**APPLIANCES**, do not use electrical appliances inside the food storage compartment, unless they are recommended by the manufacturer.

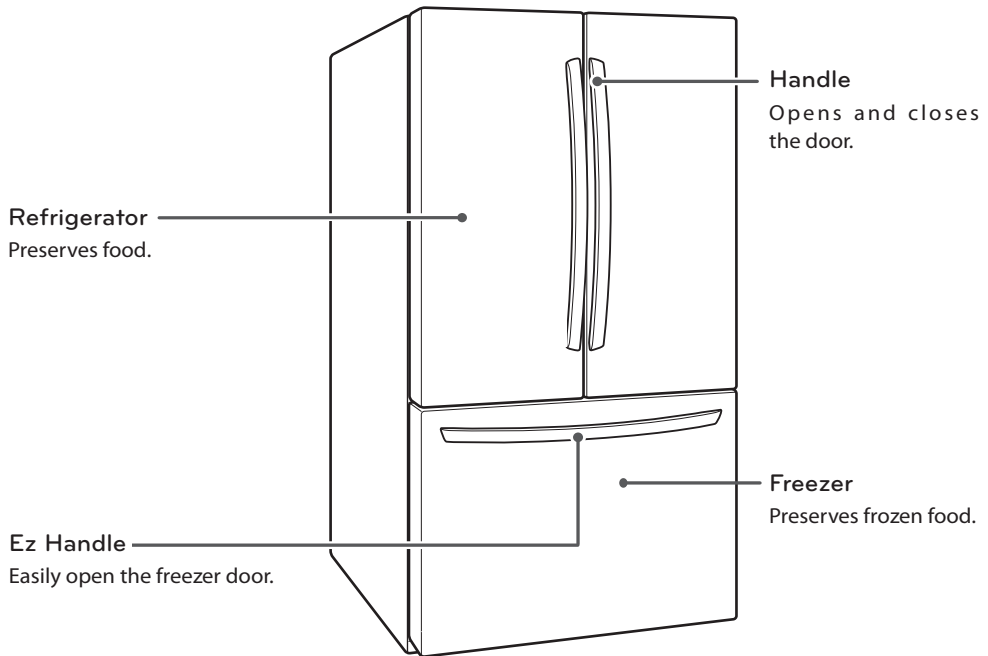
**SAVE THESE INSTRUCTIONS**

# COMPONENTS

Use this page to become more familiar with the parts and features of your refrigerator. Page references are included for your convenience.

\*The appearance and specifications of the actual product may differ depending on the model.

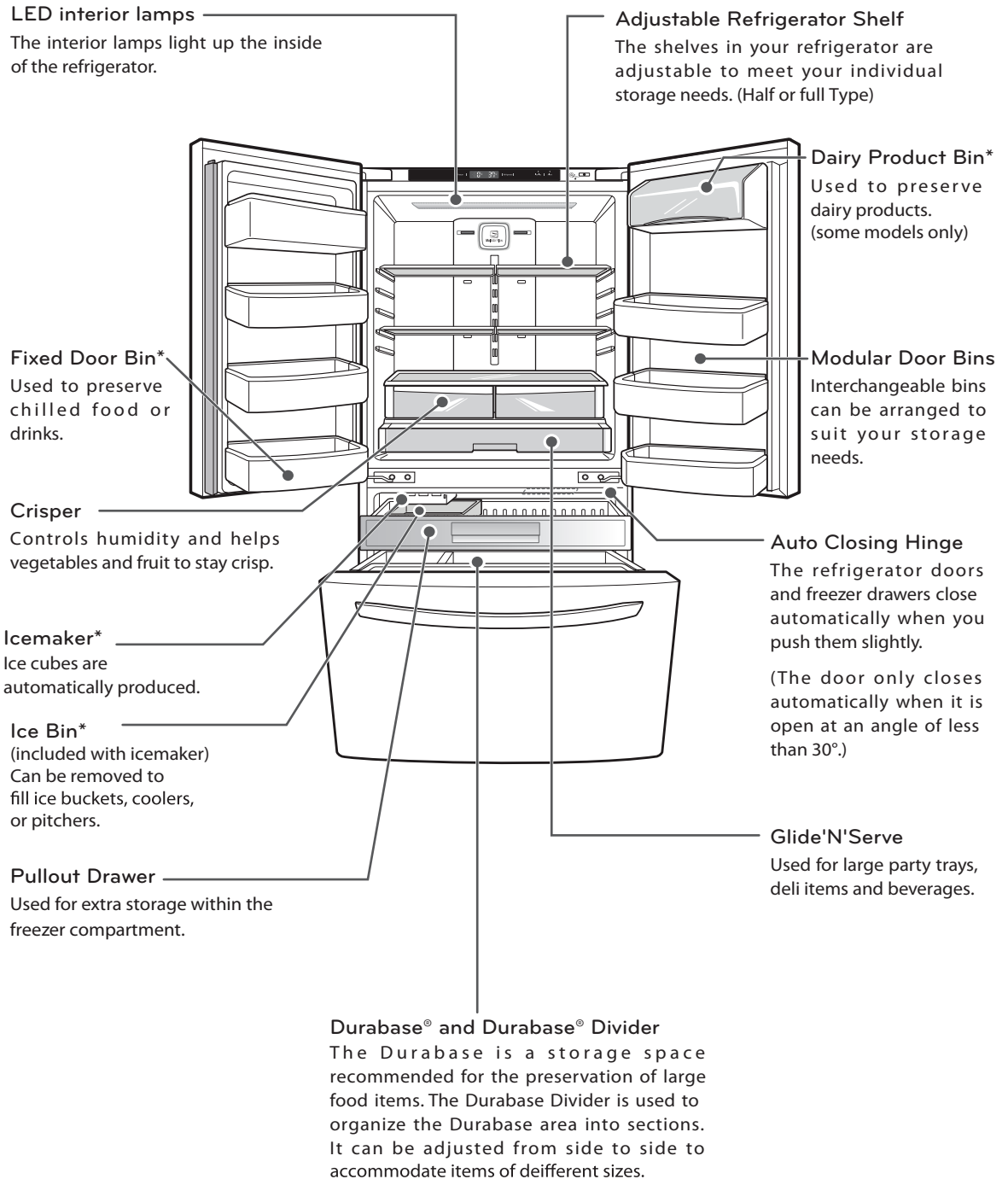
## Refrigerator Exterior





## Refrigerator Interior

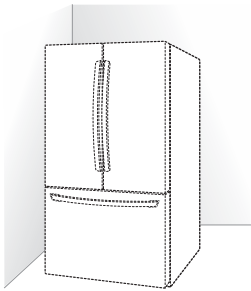
\* Optional Parts : Not included with all models.



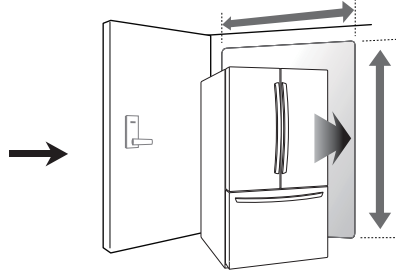
# INSTALLATION

## Installation Overview

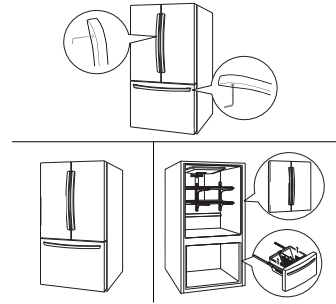
Please read the following installation instructions first after purchasing this product or transporting it to another location.



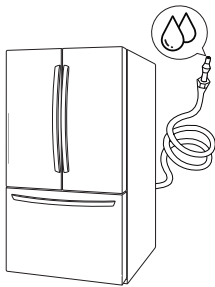
1 Unpacking your refrigerator



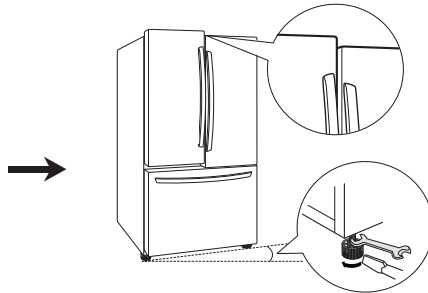
2 Choosing the proper location



3 Disassembling/Assembling



4 Connecting the water supply and water line



5 Leveling and Door Alignment

“This appliance is intended to be used in household and similar applications such as:

- Staff kitchen areas in shops, offices and other working environments; farms houses and by clients in hotel, motels and others residential type environments.
- Bed and breakfast type environments; catering and similar non-retail applications.”

## Specifications

The appearance and specifications listed in this manual may vary due to constant product improvements.

Dimensions	Width 32 3/4 in. (833 mm)	32 3/4" (W) X 35 1/2" (D) X 69 7/8" (H), 46" (D w/ door open) 833 mm (W) X 901 mm (D) X 1775.5 mm (H), 1168.5 mm (D w/ door open)
	Width 29 3/4 in. (756 mm)	29 3/4" (W) X 35 1/2" (D) X 68 1/2" (H), 44 3/4" (D w/ door open) 756 mm (W) X 901 mm (D) X 1740 mm (H), 1137 mm (D w/ door open)
Net weight	Width 32 3/4 in. (833 mm)	253 lb. (115 kg)
	Width 29 3/4 in. (756 mm)	237.4 lb. (107.9 kg)

## Unpacking Your Refrigerator



### WARNING

- Use two or more people to move and install the refrigerator. Failure to do so can result in back or other injury.
- Your refrigerator is heavy. When moving the refrigerator for cleaning or service, be sure to protect the floor. Always pull the refrigerator straight out when moving it. Do not wiggle or walk the refrigerator when trying to move it, as floor damage could occur.
- Keep flammable materials and vapors, such as gasoline, away from the refrigerator. Failure to do so can result in fire, explosion, or death.

Remove tape and any temporary labels from your refrigerator before using. Please remove vinyl from doors before connecting unit to the electrical supply (on some models). Do not remove any warning type labels, the model and serial number label, or the Tech Sheet that is located under the front of the refrigerator.

To remove any remaining tape or glue, rub the area briskly with your thumb. Tape or glue residue can also be easily removed by rubbing a small amount of liquid dish soap over the adhesive with your fingers. Wipe with warm water and dry.

Do not use sharp instruments, rubbing alcohol, flammable fluids, or abrasive cleaners to remove tape or glue. These products can damage the surface of your refrigerator.

Refrigerator shelves are installed in the shipping position. Please reinstall shelves according to your individual storage needs.

## Choosing the Proper Location

- Select a place where a water supply can be easily connected for the automatic icemaker.



### NOTE

The water pressure must be between 20 and 120 psi (0,14 - 0,82 MPa) on models without a water filter and between 40 and 120 psi (0,28 - 0,82 MPa) on models with a water filter

- The refrigerator should always be plugged into its own individual properly grounded electrical outlet rated for 115/127V~60 Hz, AC only, and fused at 15 or 20 A. This provides the best performance and also prevents overloading house wiring circuits which could cause a fire hazard from overheated wires. It is recommended that a separate circuit serving only this appliance be provided.



### WARNING

To reduce the risk of electric shock, do not install the refrigerator in a wet or damp area.

## Flooring

To avoid noise and vibration, the unit must be leveled and installed on a solidly constructed floor. If required, adjust the leveling legs to compensate for unevenness of the floor. The front should be slightly higher than the rear to aid in door closing. Leveling legs can be turned easily by tipping the cabinet slightly. Turn the leveling legs to the left to raise the unit or to the right to lower it. (See Leveling and Door Alignment.)



### NOTE

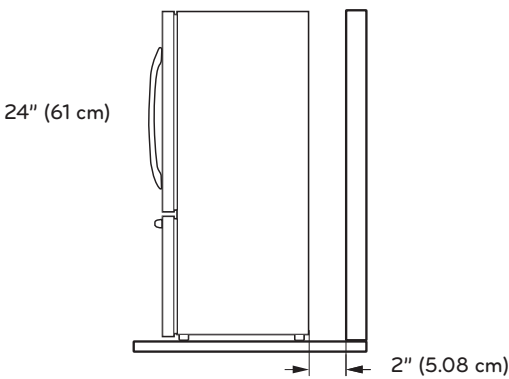
Installing on carpeting, soft tile surfaces, a platform or weakly supported structure is not recommended.

### Ambient Temperature

Install this appliance in an area where the temperature is between 55°F (13°C) and 110°F (43°C). If the temperature around the appliance is too low or high, cooling ability may be adversely affected.

### Measuring the Clearances

Too small of a distance from adjacent items may result in lowered freezing capability and increased electricity consumption charges. Allow at least 24 inches (61 cm) in front of the refrigerator to open the doors, and at least 2 inches (5.08 cm) between the back of the refrigerator and the wall.



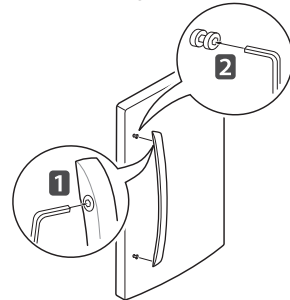
## Removing/Assembling the Refrigerator Door Handles

### NOTE

When it is necessary to move the refrigerator through a narrow opening, removing the doors is the recommended procedure. If it is necessary to remove the handles, follow the directions below. The appearance of the handle may vary from what is shown in the illustrations

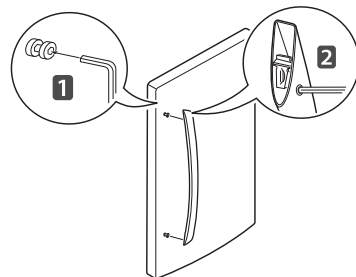
### Removing the Handles

- 1 Loosen the set screws **1** with a 3/32 in. (2.5 mm) Allen wrench and remove the handle.
- 2 Loosen the mounting fasteners **2** that connect to the refrigerator door and handle using a 1/4 in. (6.35 mm) Allen wrench, remove the mounting fasteners.



### Assembling the Handles

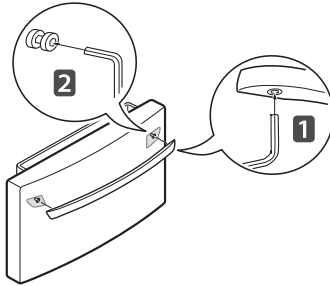
- 1 Assemble the mounting fasteners **1** at both ends of the handle using a 1/4 in. (6.35 mm) Allen wrench.
- 2 Place the handle on the door by fitting the handle footprints over the mounting fasteners and tightening the set screws **2** with a 3/32 in. (2.5 mm) Allen wrench.



## Removing/Assembling the Freezer Drawer Handle

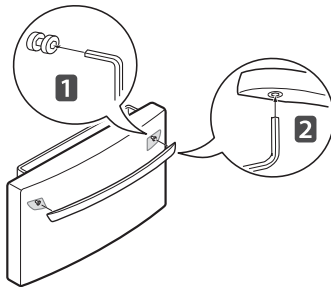
### Removing the Handle

- 1 Loosen the set screws **1** located on the lower side of the handle with a 3/32 in. (2.5mm) Allen wrench and remove the handle.
- 2 Loosen the mounting fasteners **2** that connect to the freezer drawer and handle using a 1/4 in. (6.35 mm) Allen wrench, and remove the mounting fasteners.



### Assembling the Handle

- 1 Assemble the mounting fasteners **1** at both ends of the handle using a 1/4 in. Allen (6.35 mm) wrench.
- 2 Place the handle on the door by fitting the handle footprints over the mounting fasteners and tightening the set screws **2** with a 3/32 in. (2.5 mm) Allen wrench.



## Removing/Assembling the Doors and Drawers

When it is necessary to move the refrigerator through a narrow opening, removing the doors is the recommended procedure.

### ! WARNING

- If your entrance door is too narrow for the refrigerator to pass through, remove the refrigerator doors and move the refrigerator side ways through the doorway.
- Use two or more people to remove and install the refrigerator doors. Failure to do so can result in back or other injury.
- Disconnect the electrical supply to the refrigerator before installation. Failure to do so could result in serious injury or death.
- Do not put hands, feet or other objects into the air vents or bottom of the refrigerator. You may be injured or receive an electrical shock.
- Be careful when handling the hinge and stopper. You may be injured.
- Remove food and bins before detaching the doors and drawers.

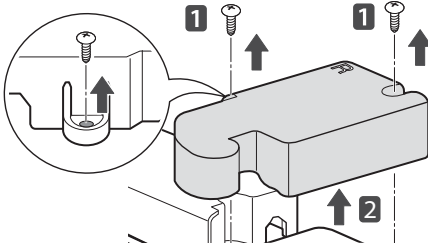
### ! WARNING

When assembling or disassembling the handle:

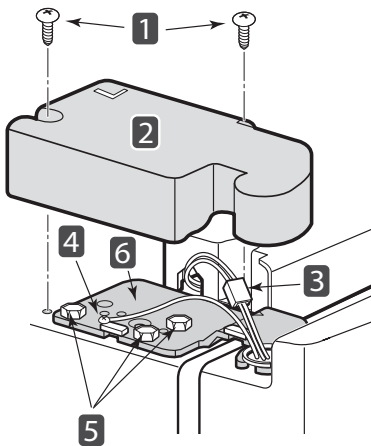
- Grasp the handle tightly to avoid dropping it.
- Do not swing the handle into nearby people or animals.
- Make sure that the bracket hole of the handle fits properly into the stopper bolt of the door. Assemble the set screws to fix the handle into place.
- Make sure that there is not a gap between the door and handle after assembling the handle.

## Removing the Left Refrigerator Door

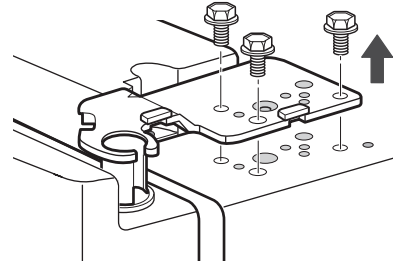
- 1 Remove the top hinge cover screws **1**. Lift the hook (not visible), located at the bottom of the front side of the cover **2**, with a flat-head screwdriver.



- 2 Disconnect the wire harness **3**.
- 3 Remove the grounding screw **4**.



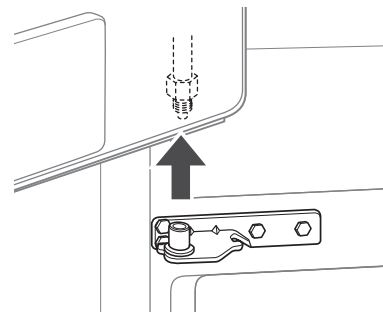
- 4 Remove the three bolts using a 10mm or 13/32-inch socket wrench and lift off the top hinge. Set parts aside.



### CAUTION

When lifting the hinge, be careful that the door does not fall forward.

- 5 Lift the door from the middle hinge pin and remove the door.

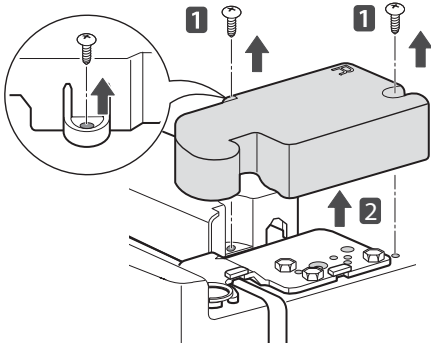


### CAUTION

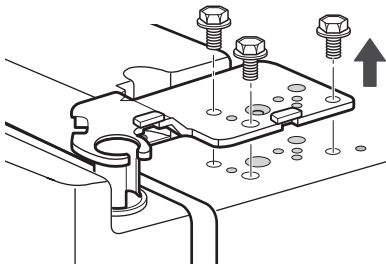
Place the door, inside facing up, on a non-scratching surface.

### Removing the Right Refrigerator Door

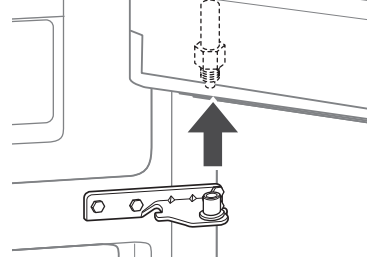
- 1 Remove the top hinge cover screws **1**. Lift the hook (not visible), located at the bottom of the front side of the cover **2**, with a flat-head screwdriver.



- 2 Remove the three bolts using a 10mm or 13/32-inch socket wrench and lift off the top hinge. Set parts aside.



- 3 Lift the door from the middle hinge pin and remove the door.



**CAUTION**

Place the door, inside facing up, on a non-scratching surface.

**CAUTION**

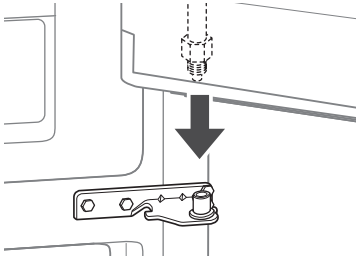
When lifting the hinge, be careful that the door does not fall forward.



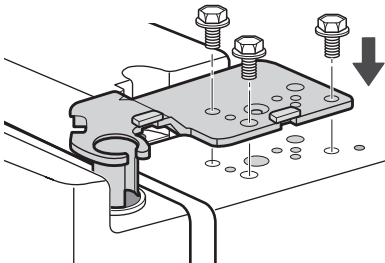
## Assembling the Right Refrigerator Door

Install the right-side door first.

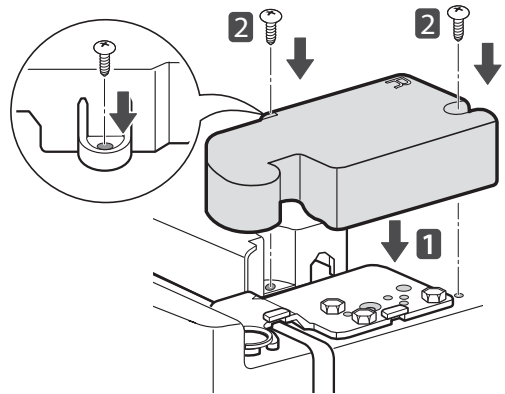
- 1 Make sure that the plastic sleeve is inserted in the bottom of the door. Lower the door onto the middle hinge pin as shown in the figure.



- 2 Align the door with the cabinet
- 3 Line up the holes in the top hinge with the holes in the top of the refrigerator. Insert and tighten the three bolts in the hinge.



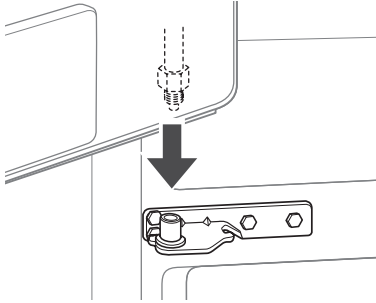
- 4 Replace the hinge cover **1**. Insert and tighten the cover screws **2**.



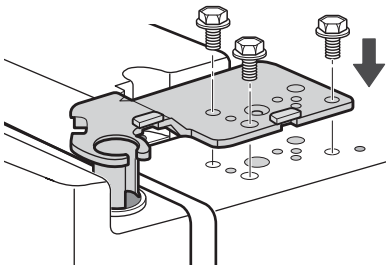
## Assembling the Left Refrigerator Door

Install the left refrigerator door after the right door is installed.

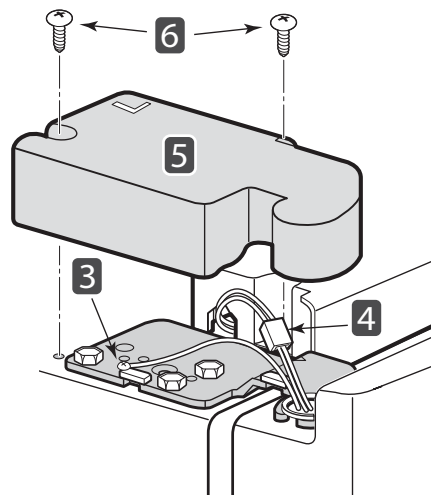
- 1 Make sure that the plastic sleeve is inserted in the bottom of the door. Install the refrigerator door onto the middle hinge.



- 2 Align the door with the cabinet
- 3 Line up the holes in the top hinge with the holes in the top of the refrigerator. Insert and tighten the three bolts in the hinge.



- 4 Replace the grounding screw **3**.
- 5 Reconnect the wire harness **4**.
- 6 Replace the hinge cover **5**. Insert and tighten the cover screws **6**.



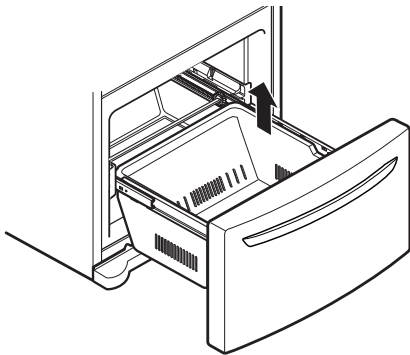
## Removing the Freezer Drawers

The top, middle and bottom drawers are all removed in the same way. In the following figures, the Pullout Drawer located above the freezer drawer is not shown for clarity.

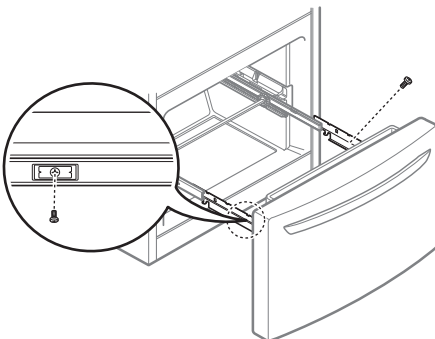
### CAUTION

- Use two or more people to remove and install the freezer drawer. Failure to do so can result in back or other injury.
- Do not hold the handle when removing or replacing the drawer. The handle may come off, causing personal injury.
- Be careful of sharp hinges on both sides of the drawer.
- When you lay the drawer down, be careful not to damage the floor.
- Do not sit or stand on the freezer drawer.
- To prevent accidents, keep children and pets away from the drawer. Do not leave the drawer open.

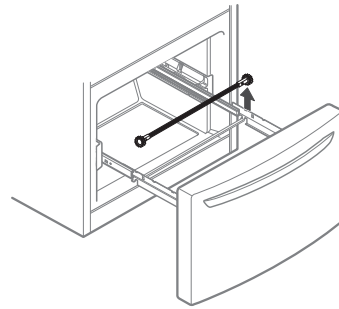
- 1 Pull the drawer open to full extension.
- 2 Lift the DuraBase basket up and out, making sure to clear the rail system.



- 3 Remove the screws at the ends of both rails



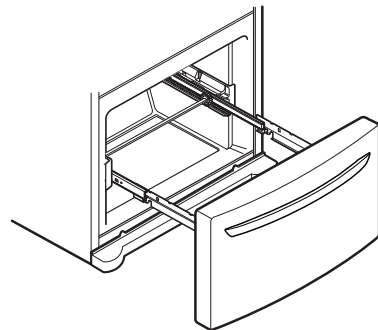
- 4 Slide out the bar.



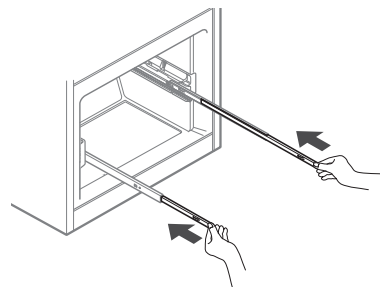
### CAUTION

Do not hold the handle when removing or replacing the drawer. The handle may come off and it could cause personal injury.

- 5 Grip both sides of the drawer and pull it up to remove it from the rails.



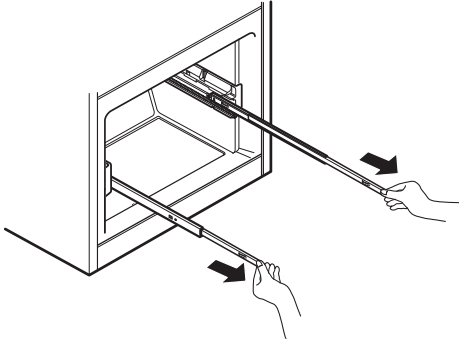
- 6 Holding one rail with each hand, push the rails in simultaneously.



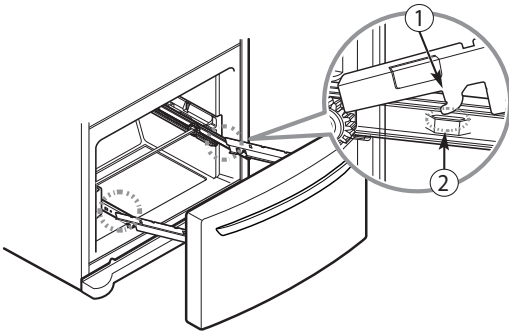
## Assembling the Freezer Drawers

The top, middle and bottom drawers are all assembled in the same way.

- 1 Using two hands, pull out both rails simultaneously until they are fully extended.



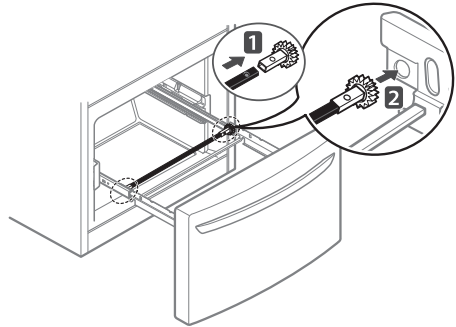
- 2 Grasp the drawer on each side and hook the drawer supports into the rail tabs located on both sides.



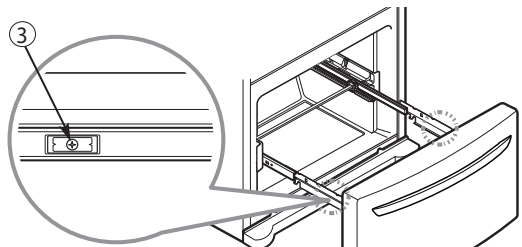
### ! CAUTION

Do not hold the handle when removing or replacing the drawer. The handle may come off and it could cause personal injury.

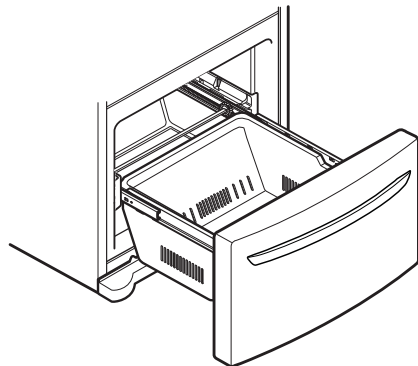
- 3 Reinstall the bar in the drawer supports.



- 4 Lower the door into its final position and tighten the screws located on both sides.



- 5 With the drawer pulled out to full extension, insert the lower basket in the rail assembly.



## Connecting the Water Line (Ice Maker installed only)

### Before You Begin

This water line installation is not covered by the refrigerator warranty. Follow these instructions carefully to minimize the risk of expensive water damage.

Water hammer (water banging in the pipes) in house plumbing can cause damage to refrigerator parts and can lead to water leakage or flooding. Call a qualified plumber to correct water hammer before installing the water supply line to the refrigerator.



### CAUTION

To prevent burns and product damage, only connect the refrigerator water line to a cold water supply.

If you use your refrigerator before connecting the water line, make sure the icemaker power switch is in the OFF (O) position.



### CAUTION

Do not install the icemaker tubing in areas where temperatures fall below freezing.

### Water Pressure

You will need a cold water supply. The water pressure must be between 20 and 120 psi (0.14 y 0.82 MPa) on models without a water filter and between 40 and 120 psi (0.28 y 0.82 MPa) on models with a water filter.

If a reverse osmosis water filtration system is connected to your cold water supply, this water line installation is not covered by the refrigerator warranty. Follow the following instructions carefully to minimize the risk of expensive water damage.

If a reverse osmosis water filtration system is connected to your cold water supply, the water pressure to the reverse osmosis system needs to be a minimum of 40 to 60 psi (0,28 y 0,41 MPa) less than 2.0~3.0 sec. to fill a cup of 7 oz (0.2 L) capacity



### CAUTION

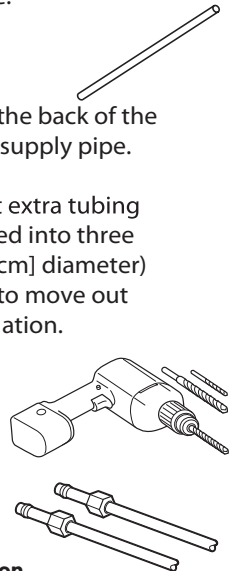
Wear eye protection during installation to prevent injury.

If the water pressure from the reverse osmosis system is less than 21 psi or 0,14 MPa takes more than 4.0 sec to fill a cup of 7 oz (0,2 L) capacity:

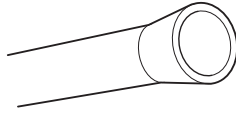
- Check to see if the sediment filter in the reverse osmosis system is blocked. Replace the filter if necessary.
- Allow the storage tank on the reverse osmosis system to refill after heavy usage.
- If the issue concerning water pressure from reverse osmosis remains, call a licensed, qualified plumber.
- All installations must be in accordance with local plumbing code requirements.

### What You Will Need

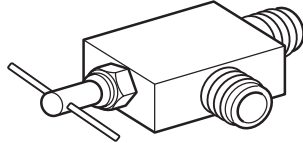
- **Copper Tubing**, ¼ in. (6.35 mm) outer diameter, to connect the refrigerator to the water supply. Be sure both ends of the tubing are cut square. To determine how much tubing you need: measure the distance from the water valve on the back of the refrigerator to the water supply pipe. Then, add 8 feet (2.4 m). Be sure there is sufficient extra tubing (about 8 feet [2.4 m] coiled into three turns of about 10 in. [25 cm] diameter) to allow the refrigerator to move out from the wall after installation.
- **Power drill.**
- **½ in. (13 mm) or adjustable wrench.**
- **Flat blade and Phillips head screwdrivers.**
- **Two ¼ in. (6.35 mm) outer diameter compression nuts and 2 ferrules (sleeves)** to connect the copper tubing to the shutoff valve and the refrigerator water valve.



- If your existing copper water line has a flared fitting at the end, you will need an **adapter** (available at plumbing supply stores) to connect the water line to the refrigerator OR you can cut off the flared fitting with a tube cutter and then use a compression fitting.



- **Shutoff valve to connect to the cold water line.** The shutoff valve should have a water inlet with a minimum inside diameter of 5/32 in. (4 mm) at the point of connection to the COLD WATER LINE. Saddle-type shutoff valves are included in many water supply kits. Before purchasing, make sure a saddle-type valve complies with your local plumbing codes.

**NOTE**

A self-piercing saddle type water valve should not be used.

## Water Line Installation Instructions

### WARNING

- When using any electrical device (such as a power drill) during installation, be sure the device is battery powered, double insulated or grounded in a manner that will prevent the hazard of electric shock.

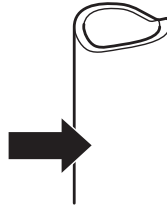
Install the shutoff valve on the nearest frequently used drinking water line.

#### 1 SHUT OFF THE MAIN WATER SUPPOLE

Turn on the nearest faucet to relieve the pressure on the line.

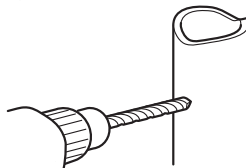
#### 2 CHOOSE THE VALVE LOCATION

Choose a location for the valve that is easily accessible. It is best to connect into the side of a vertical water pipe. When it is necessary to connect into a horizontal water pipe, make the connection to the top or side, rather than at the bottom, to avoid drawing off any sediment from the water pipe.



#### 3 DRILL THE HOLE FOR THE VALVE.

Drill a 1/4 in. (6.35 mm) hole in the water pipe using a sharp bit. Remove any burrs resulting from drilling the hole in the pipe. Be careful not to allow water to drain into the drill. Failure to drill a 1/4 in. hole may result in reduced ice production or smaller cubes.

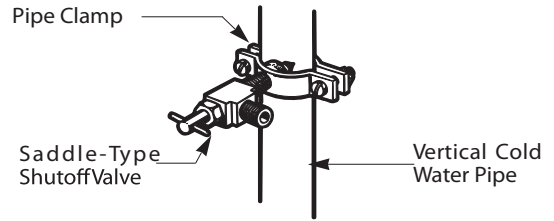


### NOTE

The hookup line cannot be white, plastic tubing. Licensed plumbers must use only copper tubing (NDA tubing #49595 or #49599) or Cross Link Polyethylene (PEX) tubing.

#### 4 FASTEN THE SHUTOFF VALVE

Fasten the shutoff valve to the cold water pipe with the pipe clamp.



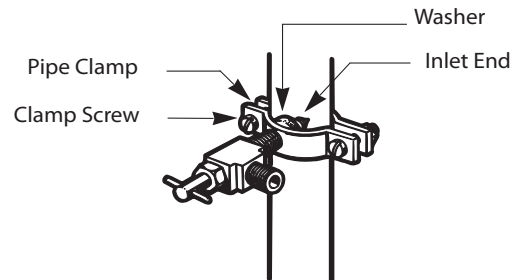
### NOTE

Commonwealth of Massachusetts Plumbing Codes 248CMR shall be adhered to. Saddle valves are illegal and use is not permitted in Massachusetts. Consult with your licensed plumber by norms and regulations of your country.

#### 5 TIGHTEN THE PIPE CLAMP

Tighten the clamp screws until the sealing washer begins to swell.

NOTE: Do not overtighten clamp or you may crush the tubing.



#### 6 ROUTE THE TUBING.

Route the tubing between the cold water line and the refrigerator.

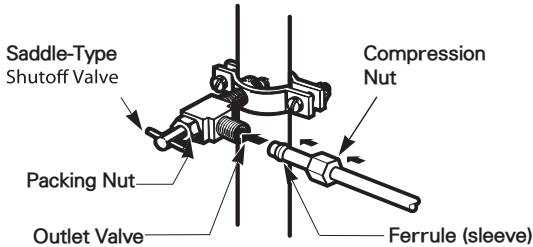
Route the tubing through a hole drilled in the wall or floor (behind the refrigerator or adjacent base cabinet) as close to the wall as possible.

### NOTE

Be sure there is sufficient extra tubing (about 8 feet [2.4 m] coiled into 3 turns of about 10 in. [254 mm] diameter) to allow the refrigerator to move out from the wall after installation.

**7 CONNECT THE TUBING TO THE VALVLE**

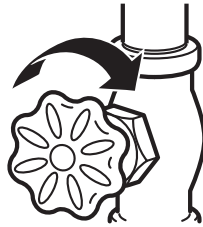
Place the compression nut and ferrule (sleeve) for copper tubing onto the end of the tubing and connect it to the shutoff valve. Make sure the tubing is fully inserted into the valve. Tighten the compression nut securely.



**8 FLUSH OUT THE TUBING**

Turn the main water supply on and flush out the tubing until the water is clear.

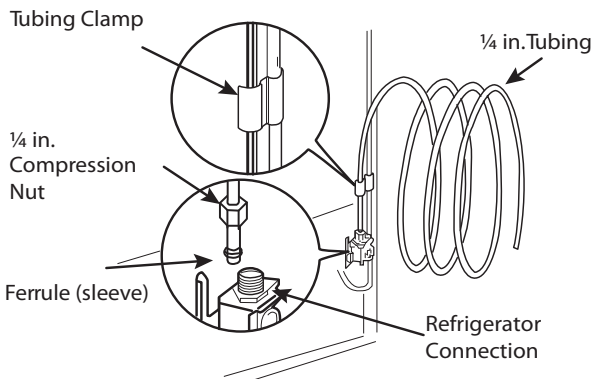
Shut the water off at the water valve after about one quart of water has been flushed through the tubing.



**9 CONNECT THE TUBING TO THE REFRIGERATOR**

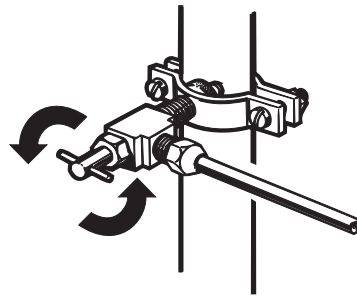
**NOTE:** Before making the connection to the refrigerator, be sure that the refrigerator power cord is not plugged into the wall outlet.

- a. Remove the plastic flexible cap from the water valve.
- b. Place the compression nut and ferrule (sleeve) onto the end of the tubing as shown.
- c. Insert the end of the copper tubing into the connection as far as possible. While holding the tubing, tighten the fitting.



**10 TURN THE WATER ON AT THE SHUTOFF VALVE**

Tighten any connections that leak.



**CAUTION**

Check to see if leaks occur at the water line connections.

**11 PLUG IN THE REFRIGERATOR**

Arrange the coil of tubing so that it does not vibrate against the back of the refrigerator or against the wall. Push the refrigerator back to the wall.

**12 START THE ICEMAKER**

Set the icemaker power switch to the **ON** position.

The icemaker will not begin to operate until it reaches its operating temperature of 15°F (-9°C) or below. It will then begin operation automatically if the icemaker power switch is in the ON (I) position.

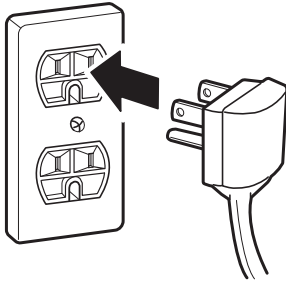
**WARNING**

Never use old or used hoses. Always use new ones to have a better use and experience. Connect always to a potable water source to avoid security and health issues.



## Turning On The Power

- 1 Plug in the refrigerator.



### CAUTION

- Connect to a rated power outlet.
- Have a certified electrician check the wall outlet and wiring for proper grounding.
- Do not damage or cut off the ground terminal of the power plug.

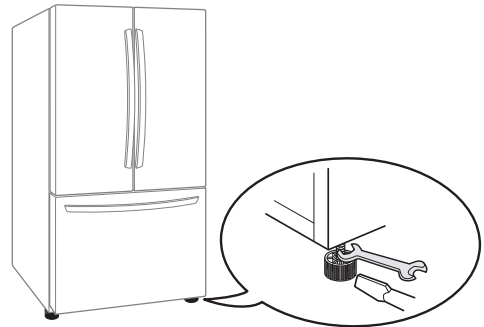
## Leveling and Door Alignment

### Leveling

After installing, plug the refrigerator's power cord into a 3-prong grounded outlet and push the refrigerator into the final position.

Your refrigerator has two front leveling legs—one on the right and one on the left. Adjust the legs to alter the tilt from front-to-back or side-to-side. If your refrigerator seems unsteady, or you want the doors to close more easily, adjust the refrigerator's tilt using the instructions below:

- 1 Turn the leveling leg to the left to raise that side of the refrigerator or to the right to lower it. It may take several turns of the leveling leg to adjust the tilt of the refrigerator.



### NOTE

A flare nut wrench works best, but an open-end wrench will suffice. Do not over-tighten.

- 2 Open both doors again and check to make sure that they close easily. If the doors do not close easily, tilt the refrigerator slightly more to the rear by turning both leveling legs to the left. It may take several more turns, and you should turn both leveling legs the same amount.

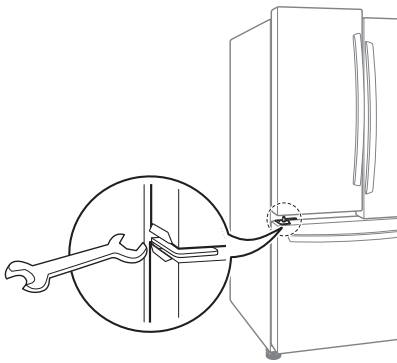
## Door Alignment

Identify your Refrigerator Doors alignment type according the accessory included in your owner's manual.

### Door Alignment (Type 1)

Both the left and right refrigerator doors have an adjustable nut, located on the bottom hinge, to raise and lower them to align properly. If the space between your doors is uneven, follow the instructions below to align the doors evenly:

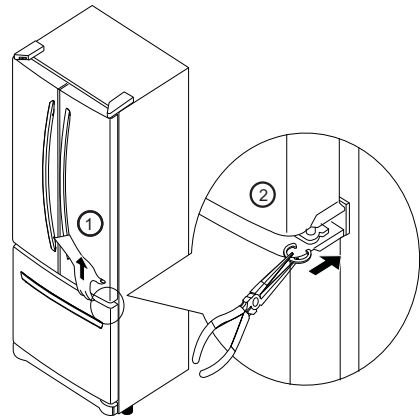
Use the wrench (included with the Owner's Manual) to turn the nut in the door hinge to adjust the height. To the right to raise or to the left to lower the height.



### Door Alignment (Type 2)

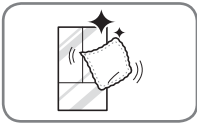
If the spacing between the doors is uneven, follow the instructions below to align them:

1. With one hand, lift up the door you want to raise at middle hinge.
2. With other hand, use pliers to insert snap ring as shown.
3. Insert additional snap rings until the doors are aligned (Three snap rings are provided per unit).



# HOW TO USE

## Before use



### Clean the refrigerator.

Clean your refrigerator thoroughly and wipe off all dust that accumulated during shipping.



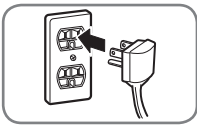
#### CAUTION

- Do not scratch the refrigerator with a sharp object or use a detergent that contains alcohol, a flammable liquid or an abrasive when removing any tape or adhesive from the refrigerator.
- Do not peel off the model or serial number label or the technical information on the rear surface of the refrigerator.



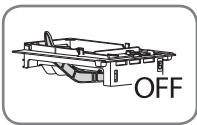
#### NOTE

Remove adhesive residue by wiping it off with your thumb or dish detergent.



### Connect the power supply.

Check if the power supply is connected before use.  
Read the "Turning On The Power" section.



### Turn off the icemaker if the refrigerator is not yet connected to the water supply. (Ice Maker installed only).

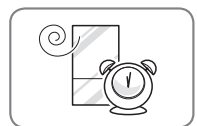
Turn off the automatic icemaker and then plug the power plug of the refrigerator into the grounded electric outlet.

\*This is applicable only to certain models.



#### CAUTION

Running the automatic icemaker before connecting it to the water supply may cause the refrigerator to malfunction.



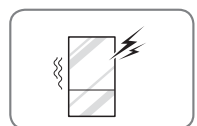
### Wait for the refrigerator to cool.

Allow your refrigerator to run for at least two to three hours before putting food in it. Check the flow of cold air in the freezer compartment to ensure proper cooling.



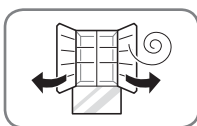
#### CAUTION

Putting food in the refrigerator before it has cooled could cause the food to spoil, or a bad odor could remain inside the refrigerator.



### The refrigerator makes a loud noise after initial operation.

This is normal. The volume will decrease as the temperature lowers.



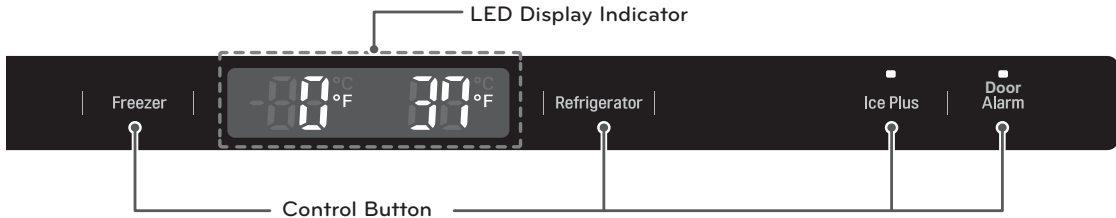
### Open refrigerator doors and freezer drawers to ventilate the interior.

The inside of the refrigerator may smell like plastic at first. Remove any adhesive tape from inside the refrigerator and open the refrigerator doors and the freezer drawers for ventilation.

## Control Pad

\* Depending on the model, some of the following functions may not be available.

### Control Pad Features



#### Refrigerator Temperature



Indicates the set temperature of the refrigerator compartment in Celsius (°C) or Fahrenheit (°F).

#### Freezer Temperature



Indicates the set temperature of the freezer compartment in Celsius (°C) or Fahrenheit (°F).

To change the temperature mode from °F to °C (or vice versa) press and hold the Refrigerator and Freezer temperature buttons simultaneously for approximately five seconds. The temperature indicator on the display window switches between Celsius and Fahrenheit.

#### NOTE

The displayed temperature is the target temperature, and not the actual temperature of the refrigerator. The actual refrigerator temperature depends on the food inside the refrigerator.

#### Ice Plus



This function increases both ice making and freezing capabilities.

- When you touch the **Ice Plus** button, the graphic will illuminate in the display and will continue for 24 hours. The function will automatically shut off after 24 hours.
- You can stop this function manually by touching the button one more time.

#### Door Alarm



- When power is connected to the refrigerator, the door alarm is initially set to ON. When you press the **Door Alarm** button, the display will change to OFF and the **Door Alarm** function will deactivate.
- When either the refrigerator or the freezer door is left open for more than 60 seconds, the alarm tone will sound to let you know that the door is open.
- When you close the door, the door alarm will stop.



#### CAUTION

**Display Mode (For Store Use Only)**  
The Display Mode disables all cooling in the refrigerator and freezer sections to conserve energy while on display in a retail store. When activated OFF will display on the control panel and the display will remain on for 20 seconds.

To deactivate / activate:

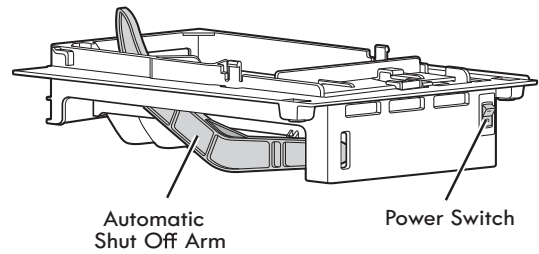
With either refrigerator door opened, press and hold the Refrigerator and Ice Plus buttons at the same time for five seconds. The control panel will beep and the temperature settings will display to confirm that Display Mode is deactivated. Use the same procedure to activate Display Mode.

## Automatic Icemaker (Ice Maker installed only). (Freezer Room)

\* Depending on the model, some of the following functions may not be available.

Ice is made in the automatic icemaker and sent to the dispenser. The icemaker will produce 12 cubes per cycle—approximately 120 cubes in a 24-hour period, depending on freezer compartment temperature, room temperature, number of door openings and other operating conditions.

- It takes about 12 to 24 hours for a newly installed refrigerator to begin making ice.
- The water pressure must be between 20 and 120 psi (0,14 y 0,82 MPa) on models without a water filter and between 40 and 120 psi (0,28 y 0,82 MPa) on models with a water filter to produce the normal amount and size of ice cubes.
- Foreign substances or frost on the ice-detecting sensor can interrupt ice production. Make sure the sensor area is clean at all times for proper operation.



### Turning the Automatic Icemaker On or Off

To turn off the automatic icemaker, set the icemaker switch to OFF (O). To turn on the automatic icemaker, set the switch to ON (I) .

## Automatic Icemaker (continued)



### CAUTION

- The first ice produced may include particles or odor from the water supply line or the water tank.
- Throw away the first few batches of ice (about 24 cubes). This is also necessary if the refrigerator has not been used for a long time.
- Never store beverage cans or other items in the ice bin for the purpose of rapid cooling. Doing so may damage the icemaker or the containers may burst.
- If discolored ice is dispensed, check the water filter and water supply. If the problem continues, contact a qualified service center. Do not use the ice or water until the problem is corrected.
- Be sure nothing interferes with the sweep of the automatic shut off arm.
- It is normal for some cubes to be stuck together.
- If ice is not used frequently, old ice cubes will become cloudy, taste stale, and shrink.
- Never use thin crystal glass or crockery to collect ice. Such containers may chip or break resulting in glass fragments in the ice.

## When You Should Turn the Icemaker Off

- When the water supply will be shut off for several hours.
- When the ice bin is removed for more than one or two minutes.
- When the refrigerator will not be used for several days.



### NOTE

The ice bin should be emptied when the icemaker on/off switch is turned to the OFF position.

## Normal Sounds You May Hear

- The icemaker water valve will buzz as the icemaker fills with water. If the power switch is in the ON (I) position, it will buzz even if it has not yet been hooked up to water. To stop the buzzing, move the power switch to OFF (O).



### NOTE

Keeping the power switch in the ON (I) position before the water line is connected can damage the icemaker.

- You will hear the sound of cubes dropping into the bin and water running in the pipes as the icemaker refills.

## Preparing For Vacation

Set the icemaker power switch to OFF (O) and shut off the water supply to the refrigerator.



### NOTE

The ice bin should be emptied anytime the icemaker on/off switch is turned to the OFF (O) position.

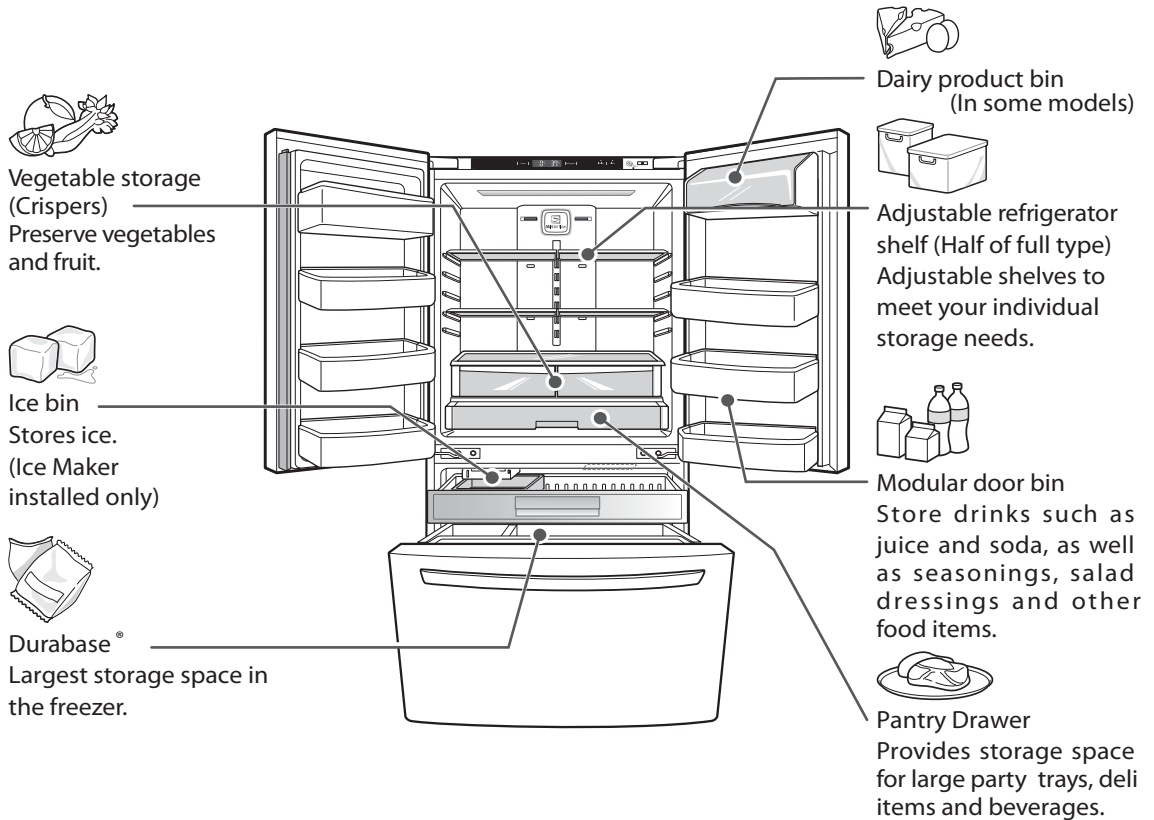
If the ambient temperature will drop below freezing, have a qualified technician drain the water supply system to prevent serious property damage due to flooding caused by ruptured water lines or connections.

## Storing Food

### Food Preservation Location

Each compartment inside the refrigerator is designed to store different types of food.

Store your food in the optimal space to enjoy the freshest taste.



### CAUTION

- Do not store food with high moisture content towards the top of the refrigerator. The moisture could come in direct contact with the cold air and freeze.
- Wash food before storing it in the refrigerator. If necessary, rinse and thoroughly pat dry vegetables and fruit to remove obvious soil, juice, or blemished areas, and wipe down food packaging to prevent adjacent foods from being contaminated.
- If the refrigerator is kept in a hot and humid place, frequent opening of the door or storing a lot of vegetables in the refrigerator may cause condensation to form. Wipe off the condensation with a clean cloth or a paper towel.
- If the refrigerator door or freezer drawer is opened too often, warm air may penetrate the refrigerator and raise its temperature. This can increase the running costs of the unit.



### NOTE

- If you are leaving home for a short period of time, like a short vacation, the refrigerator should be left on. Refrigerated foods that are able to be frozen will stay preserved longer if stored in the freezer.
- If you are leaving the refrigerator turned off for an extended period of time, remove all food and unplug the power cord. Clean the interior, and leave the door open to prevent fungi from growing in the refrigerator.

## Food Storage Tips

\*The following tips may not be applicable depending on the model.

Wrap or store food in the refrigerator in airtight and moisture-proof material unless otherwise noted. This prevents food odor and taste transfer throughout the refrigerator. For dated products, check date code to ensure freshness.

Food	How To
Butter or Margarine	Keep opened butter in a covered dish or closed compartment. When storing an extra supply, wrap in freezer packaging and freeze.
Cheese	Store in the original wrapping until you are ready to use it. Once opened, rewrap tightly in plastic wrap or aluminum foil.
Milk	Wipe milk cartons. For coldest milk, place containers on an interior shelf.
Eggs	Store in original carton on interior shelf, not on door shelf.
Fruit	Do not wash or hull the fruit until it is ready to be used. Sort and keep fruit in its original container, in a crisper, or store in a completely closed paper bag on a refrigerator shelf.
Leafy Vegetables	Remove store wrapping and trim or tear off bruised and discolored areas. Wash in cold water and drain. Place in plastic bag or plastic container and store in crisper.
Vegetables with skins (carrots, peppers)	Place in plastic bags or plastic container and store in crisper.
Fish	Store fresh fish and shellfish in the freezer section if they are not being consumed the same day of purchase. It is recommended to consume fresh fish and shellfish the same day purchased.
Leftovers	Cover leftovers with plastic wrap or aluminum foil, or store in plastic containers with tight lids.

## Storing Frozen Food



### NOTE

Check a freezer guide or a reliable cookbook for further information about preparing food for freezing or food storage times.

## Freezing

Your freezer will not quick-freeze a large quantity of food. Do not put more unfrozen food into the freezer than will freeze within 24 hours (no more than 2 to 3 lbs. of food per cubic foot of freezer space). Leave enough space in the freezer for air to circulate around packages. Be careful to leave enough room at the front so the door can close tightly.

Storage times will vary according to the quality and type of food, the type of packaging or wrap used (how airtight and moisture-proof) and the storage temperature. Ice crystals inside a sealed package are normal. This simply means that moisture in the food and air inside the package have condensed, creating ice crystals.



### NOTE

Allow hot foods to cool at room temperature for 30 minutes, then package and freeze. Cooling hot foods before freezing saves energy.



## Storing Frozen Food (continued)

### Packaging

Successful freezing depends on correct packaging. When you close and seal the package, it must not allow air or moisture in or out. If it does, you could have food odor and taste transfer throughout the refrigerator and could also dry out frozen food.

### Packaging recommendations:

- Rigid plastic containers with tight-fitting lids
- Straight-sided canning/freezing jars
- Heavy-duty aluminum foil
- Plastic-coated paper
- Non-permeable plastic wraps
- Specified freezer-grade self-sealing plastic bags

Follow package or container instructions for proper freezing methods.

### Do not use

- Bread wrappers
- Non-polyethylene plastic containers
- Containers without tight lids
- Wax paper or wax-coated freezer wrap
- Thin, semi-permeable wrap

## Humidity Controlled Crisper and Glide'N'Serve

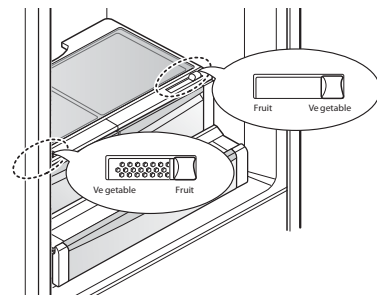
### Humidity Controlled Crisper

\* Depending on the model, some of the following functions may not be available.

The crispers provide fresher tasting fruit and vegetables by letting you easily control humidity inside the drawer.

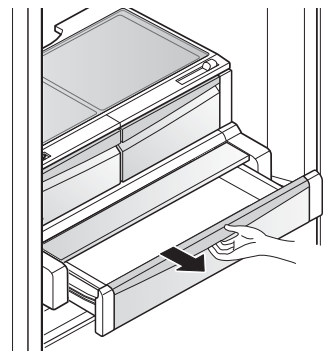
You can control the amount of humidity in the moisture-sealed crispers by adjusting the control to any setting between Vegetable and Fruit.

- Vegetable keeps moist air in the crisper for best storage of fresh, leafy vegetables.
- Fruit lets moist air out of the crisper for best storage of fruit.



### Glide'N'Serve

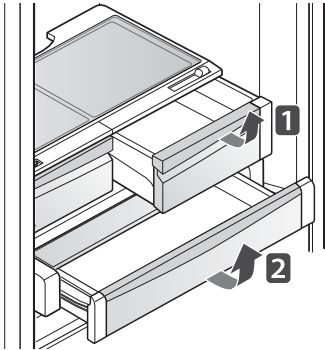
This drawer can be used for large party trays, deli items and beverages. (This drawer should not be used for vegetables that require high humidity.)



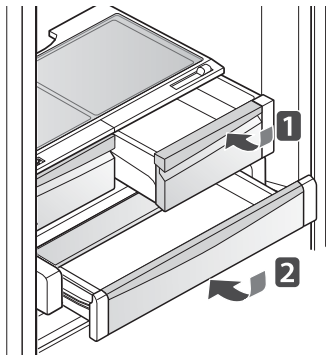
## Detaching and Assembling the Storage Bins

### Glide'N'Serve and Humidity Controlled Crisper

To remove the Humidity Controlled Crisper and the Glide'N'Serve, pull out the Crisper<sup>1</sup> and Glide'N'Serve<sup>2</sup> to full extension, lift the front up, and pull straight out.

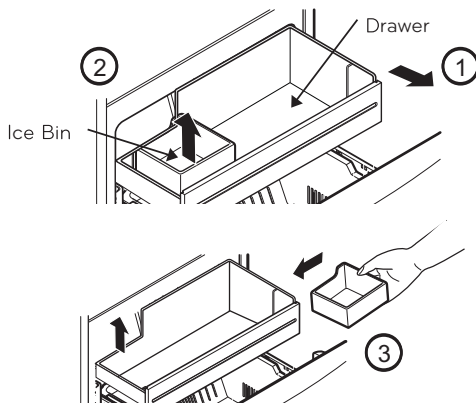


To install, slightly tilt up the front, insert the drawer into the frame and push it back into place.



### ICE BIN (In some models)

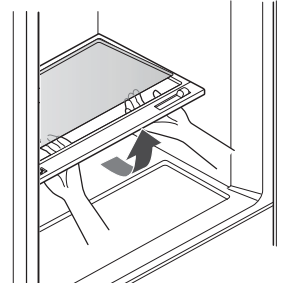
- Pull the drawer as much as possible (1).
- Raise the ice box and take it out carefully (2).
- Take the drawer off as much as possible and put the ice bin in the right position (3).



## To Remove the Glass

(Pantry drawer not shown for clarity)

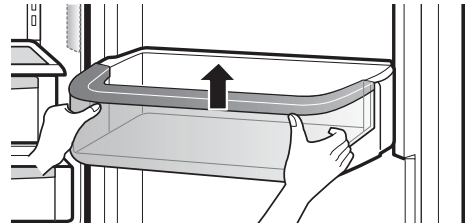
Lift up the glass under the crisper cover, and pull up and out.



## Door Bins

The door bins are removable for easy cleaning and adjustment.

- 1 To remove the bin, simply lift the bin up and pull straight out.
- 2 To replace the bin, slide it in above the desired support and push down until it snaps into place.



### NOTE

Some bins may vary in appearance and will only fit in one location.

### CAUTION

- Do not apply excessive force while detaching or assembling the storage bins.
- Do not use the dishwasher to clean the storage bins and shelves.
- Regularly detach and wash the storage bins and shelves; they can become easily contaminated by the food.

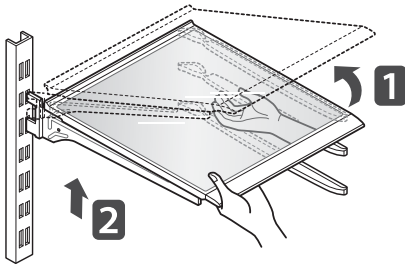
## Adjusting the Refrigerator Shelves

The shelves in your refrigerator are adjustable to meet your individual storage needs. Your model may have full or split shelves.

Adjusting the shelves to fit items of different heights will make finding the exact item you want easier. Doing so will also reduce the amount of time the refrigerator door is open which will save energy.

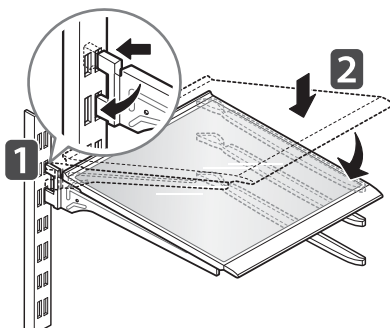
### Detaching the Shelf

Tilt up the front of the shelf and then lift the shelf straight up. Pull the shelf out.



### Assembling the Shelf

Tilt the front of the shelf up and guide the shelf hooks into the slots at a desired height. Then, lower the front of the shelf so that the hooks drop into the slots.



### CAUTION

Make sure that shelves are level from one side to the other. Failure to do so may result in the shelf falling or spilling food.

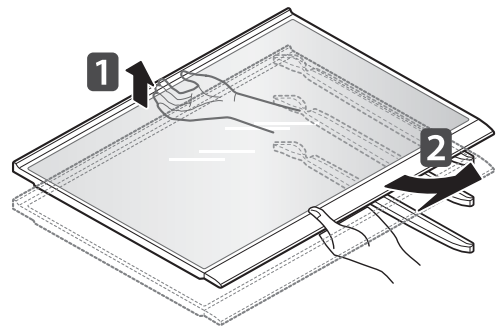


### CAUTION

- Do not clean glass shelves with warm water while they are cold. Shelves may break if exposed to sudden temperature changes or impact.
- Glass shelves are heavy. Use special care when removing them.

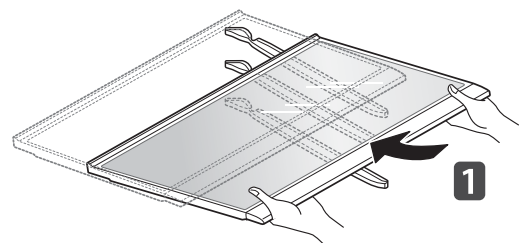
### How to remove the full-width shelf

Lift the rear of the shelf and pull it out.



### The full-width shelf placement

Slide the shelf in the guides until it stops



# MAINTENANCE

## Cleaning

- Both the refrigerator and freezer sections defrost automatically; however, clean both sections about once a month to prevent odors.
- Wipe up spills immediately.
- Always unplug the refrigeration before cleaning.

### General Cleaning Tips

- Unplug refrigerator or disconnect power.
- Remove all removable parts, such as shelves, crispers, etc.
- Use a clean sponge or soft cloth and a mild detergent in warm water. Do not use abrasive or harsh cleaners.
- Hand wash, rinse and dry all surfaces thoroughly.

### Exterior

For products with a stainless steel exterior, use a clean sponge or soft cloth and a mild detergent in warm water. Do not use abrasive or harsh cleaners. Dry thoroughly with a soft cloth.



#### CAUTION

- Do not use a rough cloth or sponge when cleaning the interior and exterior of the refrigerator.
- Do not place your hand on the bottom surface of the refrigerator when opening and closing.



#### WARNING

Use non-flammable cleaner. Failure to do so can result in fire, explosion, or death.



#### WARNING

In case of replacement, the new lamp should be same specification as the original.

### Inside Walls (allow freezer to warm up so the cloth will not stick)

To help remove odors, you can wash the inside of the refrigerator with a mixture of baking soda and warm water. Mix 2 tablespoons of baking soda to 1 quart of water (26 g soda to 1 liter water.) Be sure the baking soda is completely dissolved so it does not scratch the surfaces of the refrigerator.

### Door Liners and Gaskets

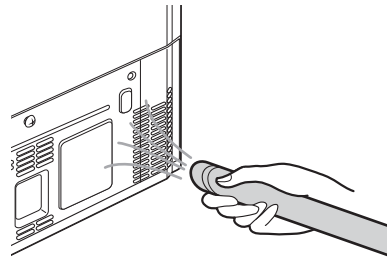
Use a clean sponge or soft cloth and a mild detergent in warm water. Do not use cleaning waxes, concentrated detergents, bleaches, or cleaners containing petroleum on plastic refrigerator parts.

### Plastic Parts (covers and panels)

Use a clean sponge or soft cloth and a mild detergent in warm water. Do not use window sprays, abrasive cleansers, or flammable fluids. These can scratch or damage the material.

### Condenser Coils

Use a vacuum cleaner with an attachment to clean the condenser cover and vents. Do not remove the panel covering the condenser coil area.





### LIGHT (LED) REPLACEMENT

Note: Do not remove the LED, it is only to be removed by qualified technician.

# SMART FUNCTIONS

## LG ThinQ Application

This feature is only available on models with the  or  logo.

The **LG ThinQ** application allows you to communicate with the appliance using a smartphone.

### LG ThinQ Application Features

Communicate with the appliance from a smartphone using the convenient smart features.

#### Smart Diagnosis

- If you experience a problem while using the appliance, this smart diagnosis feature will help you diagnose the problem.



#### NOTE



- The application is subject to change for appliance improvement purposes without notice to users.
- Functions may vary by model

### Installing the LG ThinQ Application

Search for the LG ThinQ application from the Google Play Store or Apple App Store on a smart phone.

- Follow instructions to download and install the application.
- Run the LG ThinQ application and follow the instructions in the application to register the appliance.

### Smart Diagnosis

This feature is only available on models with the  or  logo.

Use this feature to help you diagnose and solve problems with your appliance.



#### NOTE

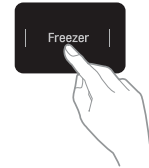
- For reasons not attributable to LGE's negligence, the service may not operate due to external factors such as, but not limited to, Wi-Fi unavailability, Wi-Fi disconnection, local app store policy, or app unavailability.
- The feature may be subject to change without prior notice and may have a different form depending on where you are located.

### Using Audible Diagnosis to Diagnose Issues

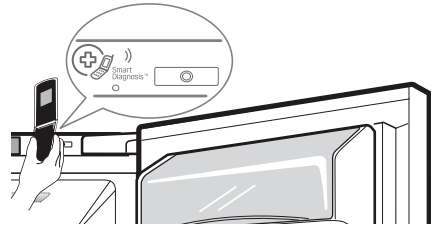
Follow the instructions below to use the audible diagnosis method.

- Launch the **LG ThinQ** application and select the Smart Diagnosis feature in the menu. Follow the instructions for audible diagnosis provided in the **LG ThinQ** application.

- 1 Open the refrigerator doors.
- 2 Press and hold the **Freezer** button for 3 seconds or longer.
  - The control panel will be turned off, and then '3' will be displayed on the refrigerator temperature display part.



- 3 Hold the phone on the upper right speaker hole.



- 4 After the data transfer is complete, the diagnosis will be displayed in the application.
- 5 Keep the phone in place until the tone transmission has finished. The display will count down the time. Once the countdown is over and the tones have stopped, the diagnosis will be displayed in the application.



#### NOTE

- For best results, do not move the phone while the tones are being transmitted.

# TROUBLESHOOTING

Review the Troubleshooting section before calling for service; doing so will save you both time and money.

Problem	Possible causes	Solutions
Refrigerator and Freezer section are not cooling.	A fuse in your home may be blown or the circuit breaker tripped. Or the appliance is connected to a GFCI (Ground Fault Circuit Interrupter) outlet, and the outlet's circuit breaker has tripped.	Check the main electrical box and replace the fuse or reset the circuit breaker. Do not increase fuse capacity. If the problem is a circuit overload, have it corrected by a qualified electrician. Reset the circuit breaker on the GFCI. If the problem persists, contact an electrician.
	The refrigerator control is set to OFF (some models).	Turn the control ON. Refer to the Setting the Controls section for proper temperature settings.
	Refrigerator is in the defrost cycle.	During the defrost cycle, the temperature of each compartment may rise slightly. Wait 30 minutes and confirm the proper temperature has been restored once the defrost cycle has completed.
	Refrigerator was recently installed.	It may take up to 24 hours for each compartment to reach the desired temperature.
	Refrigerator was recently relocated.	If the refrigerator was stored for a long period of time or moved on its side, it is necessary for the refrigerator to stand upright for 24 hours before connecting it to power.
Cooling System runs too much.	Refrigerator is replacing an older model.	Modern refrigerators require more operating time but use less energy due to more efficient technology.
	Refrigerator was recently plugged in or power restored.	The refrigerator will take up to 24 hours to cool completely.
	The door is opened often or a large amount of food / hot food was added.	Adding food and opening the door warms the refrigerator, requiring the compressor to run longer in order to cool the refrigerator back down. In order to conserve energy, try to get everything you need out of the refrigerator at once, keep food organized so it is easy to find, and close the door as soon as the food is removed. (Refer to the Food Storage Guide)
	Doors are not closed completely.	Firmly push the doors shut. If they will not shut all the way, see the Doors will not close completely or pop open section in Troubleshooting.
	Refrigerator is installed in a hot location.	The compressor will run longer under warm conditions. At normal room temperatures 70°F (21 °C) expect your compressor to run about 40% to 80% of the time. Under warmer conditions, expect it to run even more often. The refrigerator should not be operated above 110°F (43 °C).
	Condenser / back cover is clogged.	Use a vacuum cleaner with an attachment to clean the condenser cover and vents. Do not remove the panel covering the condenser coil area.

Problem	Possible causes	Solutions
Refrigerator or Freezer section is too warm.	Refrigerator was recently installed.	It may take up to 24 hours for each compartment to reach the desired temperature.
	The air vents are blocked. Cold air circulates from the freezer to the fresh food section and back again through air vents in the wall dividing the two sections.	Locate air vents by using your hand to sense airflow and move all packages that block vents and restrict airflow. Rearrange items to allow air to flow throughout the compartment. (Refer to the Airflow diagram in the Using Your Refrigerator section.)
	Doors are opened often or for long periods of time.	When the doors are opened often or for long periods of time, warm, humid air enters the compartment. This raises the temperature and moisture level within the compartment. To lessen the effect, reduce the frequency and duration of door openings.
	Unit is installed in a hot location.	The refrigerator should not be operated in temperatures above 110°F (43 °C).
	A large amount of food or hot food was added to either compartment.	Adding food warms the compartment requiring the cooling system to run. Allowing hot food to cool to room temperature before putting it in the refrigerator will reduce this effect.
	Doors not closed correctly.	See the Doors will not close correctly or pop open section in Parts & Features Troubleshooting.
	Temperature control is not set correctly.	If the temperature is too warm, adjust the control one increment at a time and wait for the temperature to stabilize. Refer to the Setting the Controls section for more information.
	Defrost cycle has recently completed.	During the defrost cycle, the temperature of each compartment may rise slightly and condensation may form on the back wall. Wait 30 minutes and confirm the proper temperature has been restored once the defrost cycle has completed.

Problem	Possible causes	Solutions
Interior moisture buildup.	Doors are opened often or for long periods of time.	When the doors are opened often or for long periods of time, warm, humid air enters the compartment. This raises the temperature and moisture level within the compartment. To lessen the effect, reduce the frequency and duration of door openings.
	Doors not closed correctly.	See the Doors will not close correctly section in the Troubleshooting section.
	Weather is humid.	Humid weather allows additional moisture to enter the compartments when the doors are opened leading to condensation or frost. Maintaining a reasonable level of humidity in the home will help to control the amount of moisture that can enter the compartments.
	Defrost cycle recently completed.	During the defrost cycle, the temperature of each compartment may raise slightly and condensation may form on the back wall. Wait 30 minutes and confirm that the proper temperature has been restored once the defrost cycle has completed.
	Food is not packaged correctly.	Food stored uncovered or unwrapped, and damp containers can lead to moisture accumulation within each compartment. Wipe all containers dry and store food in sealed packaging to prevent condensation and frost.
Food is freezing in the refrigerator compartment.	Food with high water content was placed near an air vent.	Rearrange items with high water content away from air vents.
	Refrigerator temperature control is set incorrectly.	If the temperature is too cold, adjust the control one increment at a time and wait for the temperature to stabilize. Refer to the Setting the Controls section for more information.
	Refrigerator is installed in a cold location.	When the refrigerator is operated in temperatures below 41°F (5°C), food can freeze in the refrigerator compartment. The refrigerator should not be operated in temperatures below 55°F (13°C).
Frost or ice crystals form on frozen food (outside of package).	Door is opened frequently or for long periods of time.	When the doors are opened often or for long periods of time, warm, humid air enters the compartment. This raises the temperature and moisture level within the compartment. Increased moisture will lead to frost and condensation. To lessen the effect, reduce the frequency and duration of door openings.
	Door is not closing properly.	Refer to the Doors will not close correctly or pop open section in the Troubleshooting section.
Refrigerator or Freezer section is too cold.	Incorrect temperature control settings.	If the temperature is too cold, adjust the control one increment at a time and wait for the temperature to stabilize. Refer to the Setting the Controls section for more information.



Problem	Possible causes	Solutions
Frost or ice crystals on frozen food (inside of sealed package).	Condensation from food with a high water content has frozen inside of the food package.	This is normal for food items with a high water content.
	Food has been left in the freezer for a long period of time.	Do not store food items with high water content in the freezer for a long period of time.
Icemaker is not making enough ice. (Ice Maker installed only).	Demand exceeds ice storage capacity.	The icemaker will produce approximately 70-210 cubes in a 24 hour period.
	House water supply is not connected, valve is not turned on fully, or valve is clogged.	Connect the refrigerator to a cold water supply with adequate pressure and turn the water shutoff valve fully open.  If the problem persists, it may be necessary to contact a plumber.
	Water filter has been exhausted.	It is recommended that you replace the water filter: <ul style="list-style-type: none"> <li>• Approximately every six months.</li> <li>• When the water filter indicator turns on.</li> <li>• When the water dispenser output decreases.</li> <li>• When the ice cubes are smaller than normal.</li> </ul>
	Low house water supply pressure.	The water pressure must be between 20 and 120 psi (0,14 y 0,82 MPa) on models without a water filter and between 40 and 120 psi (0,28 y 0,82 MPa) on models with a water filter.  If the problem persists, it may be necessary to contact a plumber.
	Reverse Osmosis filtration system is used.	Reverse osmosis filtration systems can reduce the water pressure below the minimum amount and result in icemaker issues. (Refer to Water Pressure section.)
	Tubing connecting refrigerator to house supply valve is kinked.	The tubing can kink when the refrigerator is moved during installation or cleaning resulting in reduced water flow. Straighten or repair the water supply line and arrange it to prevent future kinks.
	Doors are opened often or for long periods of time.	If the doors of the unit are opened often, ambient air will warm the refrigerator which will prevent the unit from maintaining the set temperature. Lowering the refrigerator temperature can help, as well as not opening the doors as frequently.
	Doors are not closed completely.	If the doors are not properly closed, ice production will be affected. See the Doors will not close completely or pop open section in Parts & Features Troubleshooting for more information.
	The temperature setting for the freezer is too warm.	The recommended temperature for the freezer compartment for normal ice production is 0°F (-18 °C). If the freezer temperature is warmer, ice production will be affected.

Problem	Possible causes	Solutions
Icemaker is not making enough ice (continued). (Ice Maker installed only).	Refrigerator was recently installed or icemaker recently connected.	It may take up to 24 hours for each compartment to reach the desired temperature and for the icemaker to begin making ice.
	Icemaker not turned on.	Locate the icemaker ON/OFF switch and confirm that it is in the ON (I) position.
	The ice detecting sensor is obstructed.	Foreign substances or frost on the ice-detecting sensor can interrupt ice production. Make sure that the sensor area is clean at all times for proper operation.
	The refrigerator is not connected to a water supply or the supply shutoff valve is not turned on.	Connect the refrigerator to the water supply and turn the water shutoff valve fully open.
	Icemaker shutoff (arm or sensor) obstructed.	If your icemaker is equipped with an ice shutoff arm, make sure that the arm moves freely. If your icemaker is equipped with the electronic ice shutoff sensor, make sure that there is a clear path between the two sensors.
	Reverse osmosis water filtration system is connected to your cold water supply.	Reverse osmosis filtration systems can reduce the water pressure below the minimum amount and result in icemaker issues. (Refer to the Water Pressure section.)
Ice has bad taste or odor. (Ice Maker installed only).	Water supply contains minerals such as sulfur.	A water filter may need to be installed to eliminate taste and odor problems. NOTE: In some cases, a filter may not help. It may not be possible to remove all minerals/odor/taste in all water supplies.
	Icemaker was recently installed.	Ice that has been stored for too long will shrink, become cloudy, and may develop a stale taste. Throw away old ice and make a new supply.
	The food has not been stored properly in either compartment.	Rewrap the food. Odors may migrate to the ice if food is not wrapped properly.
	The interior of the refrigerator needs to be cleaned.	See the Care and Cleaning section for more information.
	The ice storage bin needs to be cleaned.	Empty and wash the bin (discard old cubes). Make sure that the bin is completely dry before reinstalling it.
Icemaker is making too much ice. (Ice Maker installed only).	Icemaker shutoff (arm/sensor) is obstructed	Empty the ice bin. If your icemaker is equipped with an ice shutoff arm, make sure that the arm moves freely. If your icemaker is equipped with the electronic ice shutoff sensor, make sure that there is a clear path between the two sensors. Reinstall the ice bin and wait 24 hours to confirm proper operation.

Problem	Possible causes	Solutions
Clicking	The defrost control will click when the automatic defrost cycle begins and ends. The thermostat control (or refrigerator control on some models) will also click when cycling on and off.	Normal Operation
Rattling	Rattling noises may come from the flow of refrigerant, the water line on the back of the unit, or items stored on top of or around the refrigerator.	Normal Operation
	Refrigerator is not resting solidly on the floor.	Floor is weak or uneven or leveling legs need to be adjusted. See the Door Alignment section.
	Refrigerator with linear compressor was jarred while running.	Normal Operation
Whooshing	Evaporator fan motor is circulating air through the refrigerator and freezer compartments.	Normal Operation
	Air is being forced over the condenser by the condenser fan.	Normal Operation
Gurgling	Refrigerant flowing through the cooling system.	Normal Operation
Popping	Contraction and expansion of the inside walls due to changes in temperature.	Normal Operation
Sizzling	Water dripping on the defrost heater during a defrost cycle.	Normal Operation
Vibrating	If the side or back of the refrigerator is touching a cabinet or wall, some of the normal vibrations may make an audible sound.	To eliminate the noise, make sure that the sides and back cannot vibrate against any wall or cabinet.
Dripping	Water running into the drain pan during the defrost cycle.	Normal Operation
Pulsating or High-Pitched Sound	Your refrigerator is designed to run more efficiently to keep your food items at the desired temperature. The high efficiency compressor may cause your new refrigerator to run longer than your old one, but it is still more energy efficient than previous models. While the refrigerator is running, it is normal to hear a pulsating or high-pitched sound.	Normal Operation

Problem	Possible causes	Solutions
Doors will not close correctly or pop open.	Food packages are blocking the door open.	Rearrange food containers to clear the door and door shelves.
	Ice bin, crisper cover, pans, shelves, door bins, or baskets are out of position.	Push bins all the way in and put crisper cover, pans, shelves and baskets into their correct positions. See the Using Your Refrigerator section for more information.
	The doors were removed during product installation and not properly replaced.	Remove and replace the doors according to the Removing and Replacing Refrigerator Handles and Doors section.
	Refrigerator is not leveled properly.	See Door Alignment in the Refrigeration Installation section to level refrigerator.
Doors are difficult to open.	The gaskets are dirty or sticky.	Clean the gaskets and the surfaces that they touch. Rub a thin coat of appliance polish or kitchen wax on the gaskets after cleaning.
	Door was recently closed.	When you open the door, warmer air enters the refrigerator. As the warm air cools, it can create a vacuum. If the door is hard to open, wait one minute to allow the air pressure to equalize, then see if it opens more easily.
Refrigerator wobbles or seems unstable.	Leveling legs are not adjusted properly.	Refer to the Leveling and Door Alignment section.
	Floor is not level.	It may be necessary to add shims under the leveling legs or rollers to complete installation.
Lights do not work.	LED interior lighting failure.	The refrigerator compartment lamp is LED interior lighting, and service should be performed by a qualified technician. Refer to the Light Bulb Replacement section.
Refrigerator has an unusual odor.	The Air Filter may need to be set to the MAX setting or replaced.	Set the Air Filter to the MAX setting. If the odor does not go away within 24 hours, the filter may need to be replaced. See the Replacing the Air Filter section for replacement instructions.
The interior of the refrigerator is covered with dust or soot.	The refrigerator is located near a fire source, such as a fireplace, chimney, or candle.	Make sure that the refrigerator is not located near a fire source, such as a fireplace, chimney or candle.

**LG ELECTRONICS U.S.A., INC.  
LG REFRIGERATOR LIMITED WARRANTY - U.S.A.**

**ARBITRATION NOTICE: THIS LIMITED WARRANTY CONTAINS AN ARBITRATION PROVISION THAT REQUIRES YOU AND LG TO RESOLVE DISPUTES BY BINDING ARBITRATION INSTEAD OF IN COURT, UNLESS YOU CHOOSE TO OPT OUT. IN ARBITRATION, CLASS ACTIONS AND JURY TRIALS ARE NOT PERMITTED. PLEASE SEE THE SECTION TITLED "PROCEDURE FOR RESOLVING DISPUTES" BELOW. Should your LG Refrigerator ("Product") fail due to a defect in materials or workmanship under normal and proper use, during the warranty period set forth below, LG Electronics ("LG") will, at its option, repair or replace the Product. This limited warranty is valid only to the original retail purchaser of the Product and applies only when purchased and used within the United States including U.S. Territories.**

WARRANTY PERIOD			
Refrigerator/Freezer	Sealed System (Condenser, Dryer, Connecting Tube and Evaporator)	Compressor	
One (1) year from the date of original retail purchase	Five (5) years from the date of original retail purchase	Five (5) years from the date of original retail purchase	Linear / Inverter Compressor Only : Parts Only for years 6-10 from the date of original retail purchase (Consumer will be charged for labor)
Parts and Labor (internal/ functional parts only)	Parts and Labor	Parts and Labor	

- Replacement products and parts are warranted for the remaining portion of the original warranty period or ninety (90) days, whichever is greater.
- Replacement products and parts may be new, reconditioned, refurbished, or otherwise factory remanufactured.
- Proof of original retail purchase specifying the Product model and date of purchase is required to obtain warranty service under this limited warranty.

**EXCEPT TO THE EXTENT PROHIBITED BY APPLICABLE LAW, ANY IMPLIED WARRANTY OF MERCHANTABILITY OR FITNESS FOR A PARTICULAR PURPOSE ON THE PRODUCT IS LIMITED IN DURATION TO THE DURATION OF THE ABOVE LIMITED WARRANTY. UNDER NO CIRCUMSTANCES SHALL LG OR ITS U.S. DISTRIBUTORS/DEALERS BE LIABLE FOR ANY INDIRECT, INCIDENTAL, CONSEQUENTIAL, SPECIAL, OR PUNITIVE DAMAGES, INCLUDING, WITHOUT LIMITATION, LOST GOODWILL, LOST REVENUES OR PROFITS, WORK STOPPAGE, IMPAIRMENT OF OTHER GOODS, COST OF REMOVAL AND REINSTALLATION OF THE PRODUCT, LOSS OF USE, OR ANY OTHER DAMAGES WHETHER BASED IN CONTRACT, TORT, OR OTHERWISE. LG'S TOTAL LIABILITY, IF ANY, SHALL NOT EXCEED THE PURCHASE PRICE PAID BY YOU FOR THE PRODUCT.**

Some states do not allow the exclusion or limitation of incidental or consequential damages or limitations on how long an implied warranty lasts, so the above exclusions or limitations may not apply to you. This limited warranty gives you specific legal rights and you may also have other rights that vary from state to state.

**THIS LIMITED WARRANTY DOES NOT COVER:**

- Service trips to deliver, pick up, or install, educate how to operate, correct wiring, or correct unauthorized repairs.
- Damage or failure of the Product to perform during power failures and interrupted or inadequate electrical service.
- Damage or failure caused by leaky or broken water pipes, frozen water pipes, restricted drain lines, inadequate or interrupted water supply or inadequate supply of air.
- Damage resulting from operating the product in a corrosive atmosphere or contrary to the product owner's manual.
- Damage or failure to the Product caused by accidents, pests and vermin, lightning, wind, fire, floods, acts of God, or any other causes beyond the control of LG.
- Damage or failure caused by unauthorized modification or alteration, or if used for other the intended purpose.
- Damage or failure resulting from misuse, abuse, improper installation, repair, or maintenance. Improper repair includes use of parts not authorized by LG. Improper installation or maintenance includes installation or maintenance contrary to the Product owner's manual.
- Damage or failure caused by incorrect electrical current, voltage, or plumbing codes.
- Damage or failure caused by transportation and handling, including scratches, dents, chips, and/or other damage to the finish of the product, unless such damage is reported within one (1) week of delivery.
- Damage or missing items to any display, open box, or discounted Product.
- Refurbished Product or any Product sold "As Is", "Where Is", "With all Faults", or similar disclaimer.
- Products with original serial numbers that have been removed, altered, or cannot be readily determined.
- Increases in utility costs and additional utility expenses.
- Any noises associated with normal operation.
- Use of accessories (e.g., water filters, etc.), components, or consumable cleaning products that are not authorized by LG.
- Replacement or light bulbs, filters, or any consumable parts.
- When Product is used for other than normal and proper household use (e.g. commercial or industrial use, offices, and recreational facilities or vehicles) or contrary to the instructions outlined in the Product's owner's manual.
- Costs associated with removal and reinstallation of your Product for repairs.
- Shelves, door bins, drawers, handle and accessories, except for internal/functional parts covered under this limited warranty.

**The cost of repair or replacement under these excluded circumstances shall be borne by the consumer.**

TO OBTAIN WARRANTY SERVICE AND ADDITIONAL INFORMATION Call 1-800-243-0000 and select the appropriate option from the menu. Or visit our website at <http://www.lg.com>. Or by mail: LG Electronics Customer Service P.O. Box 240007 Huntsville, AL 35813 ATTN: CIC

**PROCEDURE FOR RESOLVING DISPUTES:**

ALL DISPUTES BETWEEN YOU AND LG ARISING OUT OF OR RELATING IN ANY WAY TO THIS LIMITED WARRANTY OR THE PRODUCT SHALL BE RESOLVED EXCLUSIVELY THROUGH BINDING ARBITRATION, AND NOT IN A COURT OF GENERAL JURISDICTION. BINDING ARBITRATION MEANS THAT YOU AND LG ARE EACH WAIVING THE RIGHT TO A JURY TRIAL AND TO BRING OR PARTICIPATE IN A CLASS ACTION.

**Definitions.** For the purposes of this section, references to "LG" mean LG Electronics U.S.A., Inc., its parents, subsidiaries and affiliates, and each of their officers, directors, employees, agents, beneficiaries, predecessors in interest, successors, assigns and suppliers; references to "dispute" or "claim" shall include any dispute, claim or controversy of any kind whatsoever (whether based in contract, tort, statute, regulation, ordinance, fraud, misrepresentation or any other legal or equitable theory) arising out of or relating in any way to the sale, condition or performance of the product or this Limited Warranty.

**Notice of Dispute.** In the event you intend to commence an arbitration proceeding, you must first notify LG in writing at least 30 days in advance of initiating the arbitration by sending a letter to LG at LG Electronics, USA, Inc. Attn: Legal Department-Arbitration 111 Sylvan Avenue, Englewood Cliffs, NJ 07632. You and LG agree to engage in good faith discussions in an attempt to amicably resolve your claim. The notice must provide your name, address, and telephone number; identify the product that is the subject of the claim; and describe the nature of the claim and the relief being sought. If you and LG are unable to resolve the dispute within 30 days, either party may proceed to file a claim for arbitration.

**Agreement to Binding Arbitration and Class Action Waiver.** Upon failure to resolve the dispute during the 30 day period after sending written notice to LG, you and LG agree to resolve any claims between us only by binding arbitration on an individual basis, unless you opt out as provided below. Any dispute between you and LG shall not be combined or consolidated with a dispute involving any other person's or entity's product or claim. More specifically, without limitation of the foregoing, any dispute between you and LG shall not under any circumstances proceed as part of a class or representative action. Instead of arbitration, either party may bring an individual action in small claims court, but that small claims court action may not be brought on a class or representative basis.

**Arbitration Rules and Procedures.** To begin arbitration of a claim, either you or LG must make a written demand for arbitration. The arbitration will be administered by the American Arbitration Association ("AAA") and will be conducted before a single arbitrator under the AAA's Consumer Arbitration Rules that are in effect at the time the arbitration is initiated (referred to as the "AAA Rules") and under the procedures set forth in this section. The AAA Rules are available online at [www.adr.org/consumer](http://www.adr.org/consumer). Send a copy of your written demand for arbitration, as well as a copy of this provision, to the AAA in the manner described in the AAA Rules. You must also send a copy of your written demand to LG at LG Electronics, USA, Inc. Attn: Legal Department- Arbitration 111 Sylvan Avenue, Englewood Cliffs, NJ 07632. If there is a conflict between the AAA Rules and the rules set forth in this section, the rules set forth in this section will govern. This arbitration provision is governed by the Federal Arbitration Act. Judgment may be entered on the arbitrator's award in any court of competent jurisdiction. All issues are for the arbitrator to decide, except that issues relating to the scope and enforceability of the arbitration provision and to the arbitrability of the dispute are for the court to decide. The arbitrator is bound by the terms of this provision.

**Governing Law.** The law of the state of your residence shall govern this Limited Warranty and any disputes between us except to the extent that such law is preempted by or inconsistent with applicable federal law.

**Fees/Costs.** You do not need to pay any fee to begin an arbitration. Upon receipt of your written demand for AAA unless you seek more than \$25,000 in damages, in which case the payment of these fees will be governed by the AAA Rules. Except as otherwise provided for herein, LG will pay AAA filing, administration and arbitrator fees for any arbitration initiated in accordance with the AAA Rules and this arbitration provision. If you prevail in the arbitration, LG will pay your attorneys' fees and expenses as long as they are reasonable, by considering factors including, but not limited to, the purchase amount and claim amount. Notwithstanding the foregoing, if applicable law allows for an award of reasonable attorneys' fees and expenses, an arbitrator can award them to the same extent that a court would. If the arbitrator finds either the substance of your claim or the relief sought in the demand is frivolous or brought for an improper purpose (as measured by the standards set forth in Federal Rule of Civil Procedure 11(b)), then the payment of all arbitration fees will be governed by the AAA Rules. In such a situation, you agree to reimburse LG for all monies previously disbursed by it that are otherwise your obligation to pay under the AAA Rules. Except as otherwise provided for, LG waives any rights it may have to seek attorneys' fees and expenses from you if LG prevails in the arbitration.

**Hearings and Location.** If your claim is for \$25,000 or less, you may choose to have the arbitration conducted solely on the basis of (1) documents submitted to the arbitrator, (2) through a telephonic hearing, or (3) by an in-person hearing as established by the AAA Rules. If your claim exceeds \$25,000, the right to a hearing will be determined by the AAA Rules. Any in-person arbitration hearings will be held at a location within the federal judicial district in which you reside unless we both agree to another location or we agree to a telephonic arbitration.

**Opt Out.** You may opt out of this dispute resolution procedure. If you opt out, neither you nor LG can require the other to participate in an arbitration proceeding. To opt out, you must send notice to LG no later than 30 calendar days from the date of the first consumer purchaser's purchase of the product by either: (i) sending an e-mail to [optout@lge.com](mailto:optout@lge.com), with the subject line: "Arbitration Opt Out" or (ii) calling 1-800-980-2973. You must include in the opt out e-mail or provide by telephone: (a) your name and address; (b) the date on which the product was purchased; (c) the product model name or model number; and (d) the serial number (the serial number can be found (i) on the product; or (ii) online by accessing <https://www.lg.com/us/support/repair-service/schedule-repair-continued> and clicking on "Find My Model & Serial Number").

You may only opt out of the dispute resolution procedure in the manner described above (that is, by e-mail or telephone); no other form of notice will be effective to opt out of this dispute resolution procedure. Opting out of this dispute resolution procedure will not affect the coverage of the Limited Warranty in any way, and you will continue to enjoy the full benefits of the Limited Warranty. If you keep this product and do not opt out, then you accept all terms and conditions of the arbitration provision described above.

**LG ELECTRONICS CANADA, INC.  
LG REFRIGERATOR LIMITED WARRANTY - Canada**

**ARBITRATION NOTICE: THIS LIMITED WARRANTY CONTAINS AN ARBITRATION PROVISION THAT REQUIRES YOU AND LG TO RESOLVE DISPUTES BY BINDING ARBITRATION INSTEAD OF IN COURT, UNLESS THE LAWS OF YOUR PROVINCE OR TERRITORY DO NOT PERMIT THAT, OR, IN OTHER JURISDICTIONS, IF YOU CHOOSE TO OPT OUT. IN ARBITRATION, CLASS ACTIONS AND JURY TRIALS ARE NOT PERMITTED. PLEASE SEE THE SECTION TITLED "PROCEDURE FOR RESOLVING DISPUTES" BELOW.**

Should your LG Refrigerator ("Product") fail due to a defect in materials or workmanship under normal and proper use, during the warranty period set forth below, LG Electronics Canada, Inc. ("LGECI") will, at its option, repair or replace the Product upon receipt of proof of the original retail purchase. This limited warranty is valid only to the original retail purchaser of the Product and applies only to a Product distributed, purchased and used within Canada, as determined at the sole discretion of LGECI.

<b>WARRANTY PERIOD (Note: If the original date of purchase cannot be verified, the warranty will begin sixty (60) days from the date of manufacture)</b>			
<b>Refrigerator</b>	<b>Sealed System (Condenser, Dryer, Connecting Tube and Evaporator)</b>		<b>Linear / Inverter Compressor</b>
<b>One (1) year from the date of original retail purchase</b>	<b>One (1) year from the date of original retail purchase</b>	<b>Seven (7) years from the date of original retail purchase</b>	<b>Ten (10) years from the date of original retail purchase</b>
Parts and Labor (internal/functional parts only)	Parts and Labor	Parts only (Consumer will be charged for labor)	Part only (Consumer will be charged for labor)

- Replacement products and parts are warranted for the remaining portion of the original warranty period or ninety (90) days, whichever is greater.
- Replacement products and parts may be new, reconditioned, refurbished, or otherwise factory remanufactured, all at the sole discretion of LGECI.
- Proof of original retail purchase specifying the Product model and date of purchase is required to obtain warranty service under this Limited Warranty.

**LGECI'S SOLE LIABILITY IS LIMITED TO THE LIMITED WARRANTY SET OUT ABOVE. EXCEPT AS EXPRESSLY PROVIDED ABOVE, LGECI MAKES NO, AND HEREBY DISCLAIMS, ALL OTHER WARRANTIES AND CONDITIONS RESPECTING THE PRODUCT, WHETHER EXPRESS OR IMPLIED, INCLUDING BUT NOT LIMITED TO, ANY IMPLIED WARRANTY OR CONDITION OF MERCHANTABILITY OR FITNESS FOR A PARTICULAR PURPOSE, AND NO REPRESENTATIONS SHALL BE BINDING ON LGECI. LGECI DOES NOT AUTHORIZE ANY PERSON TO CREATE OR ASSUME FOR IT ANY OTHER WARRANTY OBLIGATION OR LIABILITY IN CONNECTION WITH THE PRODUCT. TO THE EXTENT THAT ANY WARRANTY OR CONDITION IS IMPLIED BY LAW, IT IS LIMITED TO THE WARRANTY PERIOD SET OUT ABOVE. UNDER NO CIRCUMSTANCES SHALL LGECI, THE MANUFACTURER OR DISTRIBUTOR OF THE PRODUCT, BE LIABLE FOR ANY INCIDENTAL, CONSEQUENTIAL, SPECIAL, DIRECT, INDIRECT, PUNITIVE OR EXEMPLARY DAMAGES, INCLUDING, WITHOUT LIMITATION, LOSS OF GOODWILL, LOST PROFITS, LOSS OF ANTICIPATED PROFITS, LOST REVENUE, LOSS OF USE, OR ANY OTHER DAMAGE, WHETHER ARISING DIRECTLY OR INDIRECTLY FROM ANY CONTRACTUAL BREACH, FUNDAMENTAL BREACH, TORT OR OTHERWISE, OR FROM ANY ACTS OR OMISSIONS. LGECI'S TOTAL LIABILITY, IF ANY, SHALL NOT EXCEED THE PURCHASE PRICE PAID BY YOU FOR THE PRODUCT.**

This Limited Warranty gives you specific legal rights. You may also have other rights that vary from province to province depending on applicable provincial laws. Any term of this Limited Warranty that negates or varies any implied condition or warranty under provincial law is severable where it conflicts with such provincial law without affecting the remainder of this warranty's terms.

**THIS LIMITED WARRANTY DOES NOT COVER:**

- Service trips to i) deliver, pick up, or install or; educate on how to operate the Product; ii) correct wiring or plumbing; or iii) correct unauthorized repairs or installations of the Product;
- Damage or failure of the Product to perform during power failures and interrupted or inadequate electrical service;
- Damage or failure caused by leaky or broken water pipes, frozen water pipes, restricted drain lines, inadequate or interrupted water supply or inadequate supply of air;
- Damage or failure resulting from operating the Product in a corrosive atmosphere or contrary to the instructions outlined in the Product's owner's manual;
- Damage or failure to the Product caused by accidents, pests and vermin, lightning, wind, fire, floods, acts of God, or any other causes beyond the control of LGECI or the manufacturer;
- Damage or failure resulting from misuse, abuse, improper installation, repair, or maintenance of the Product. Improper repair includes use of parts not authorized or specified by LGECI. Improper installation or maintenance includes installation or maintenance contrary to the Product's owner's manual.
- Damage or failure caused by unauthorized modification or alteration of the Product, or if used for other than the intended household purpose/use of the Product, or damage or failure resulting from any water leakage due to improper installation of the Product;
- Damage or failure caused by incorrect electrical current, voltage or plumbing codes;
- Damage or failure caused by use that is other than normal household use, including, without limitation, commercial or industrial use, including use in commercial offices or recreational facilities, or as otherwise outlined in the Product's owner's manual;
- Damage or failure caused by the use of any accessories, components or cleaning products, including, without limitation, water filters, that are not approved/authorized by LGECI;
- Replacement of the water filter cartridge due to water pressure that is outside the specified operating range or due to excessive sediment in the water supply;
- Damage or failure caused by transportation and handling, including scratches, dents, chips and/or other damage to the finish of the Product, **unless** such damage results from defects in materials or workmanship and is reported to LGECI within one (1) week of delivery of the Products;
- Damage or missing items to any display, open box, refurbished or discounted Product;
- Refurbished Product or any Product sold "As Is", "Where Is", "With all Faults", or any similar disclaimer;
- Products with original serial numbers that have been removed, altered or cannot be readily determined at the discretion of LGECI;
- Increases in utility costs and additional utility expenses in any way associated with the Product;

- Any noises associated with normal operation of the Product;
  - Replacement of light bulbs, filters, fuses or any other consumable parts;
  - Replacement of any part that was not originally included with the Product;
  - Costs associated with removal and/or reinstallation of the Product for repairs; and
  - Shelves, door bins, drawers, handle and accessories to the Product, except for internal/functional parts covered under this Limited Warranty.
- Coverage for "in Home" repairs, for products in-warranty, will be provided if the Product is within a 150 km radius from the nearest authorized service center (ASC), as determined by LG Canada. If your Product is located outside a 150 km radius from a ASC, as determined by LG Canada, it will be your responsibility to bring the Product, at your sole expense, to the ASC for in-warranty repair.

**All costs and expenses associated with the above excluded circumstances, listed under the heading, This Limited Warranty Does Not Cover, shall be borne by the consumer.** TO OBTAIN WARRANTY SERVICE AND ADDITIONAL INFORMATION, PLEASE CALL OR VISIT OUR WEBSITE: Call 1-888-542-2623 (7 A.M. to 12 A.M., 365 days a year) and select the appropriate option from the menu, or. Visit our website at <http://www.lg.com>

#### PROCEDURE FOR RESOLVING DISPUTES:

EXCEPT WHERE PROHIBITED AT LAW, ALL DISPUTES BETWEEN YOU AND LG ARISING OUT OF OR RELATING IN ANY WAY TO THIS LIMITED WARRANTY OR THE PRODUCT SHALL BE RESOLVED EXCLUSIVELY THROUGH BINDING ARBITRATION, AND NOT IN A COURT OF GENERAL JURISDICTION. EXCEPT WHERE PROHIBITED AT LAW, YOU AND LG BOTH IRREVOCABLY AGREE TO WAIVE THE RIGHT TO A JURY TRIAL AND TO BRING OR PARTICIPATE IN A CLASS ACTION.

**Definitions.** For the purposes of this section, references to "LG" mean LG Electronics Canada, Inc., its parents, subsidiaries and affiliates, and each of their officers, directors, employees, agents, beneficiaries, predecessors in interest, successors, assigns and suppliers; references to "dispute" or "claim" shall include any dispute, claim or controversy of any kind whatsoever (whether based in contract, tort, statute, regulation, ordinance, fraud, misrepresentation or any other legal or equitable theory) arising out of or relating in any way to the sale, condition or performance of the product or this Limited Warranty.

**Notice of Dispute.** In the event you intend to commence an arbitration proceeding, you must first notify LG in writing at least 30 days in advance of initiating the arbitration by sending a letter to LG Electronics, Canada, Inc., Attn: Legal Department-Arbitration, 20 Norelco Drive, North York, Ontario M9L 2X6. You and LG agree to engage in good faith discussions in an attempt to amicably resolve your claim. The notice must provide your name, address, and telephone number; identify the product that is the subject of the claim; and describe the nature of the claim and the relief being sought. If you and LG are unable to resolve the dispute within 30 days, either day party may proceed to file a claim for arbitration.

**Agreement to Binding Arbitration and Class Action Waiver.** Upon failure to resolve the dispute during the 30 day period after sending written notice to LG, you and LG agree to resolve any claims between you and LG only by binding arbitration on an individual basis, unless you opt out as provided below, or you reside in a jurisdiction that prevents full application of this clause in the circumstances of the claims at issue (in which case if you are a consumer, this clause will only apply if you expressly agree to the arbitration). To the extent permitted by applicable law, any dispute between you and LG shall not be combined or consolidated with a dispute involving any other person's or entity's product or claim. More specifically, without limitation of the foregoing, except to the extent such a prohibition is not permitted at law, any dispute between you and LG shall not under any circumstances proceed as part of a class or representative action. Instead of arbitration, either party may bring an individual action in small claims court, but that small claims court action may not be brought on a class or representative basis except to the extent this prohibition is not permitted at law in your province or territory of jurisdiction as it relates to the claims at issue between you and LG.

**Arbitration Rules and Procedures.** To begin arbitration of a claim, either you or LG must make a written demand for arbitration. The arbitration will be private and confidential, and conducted on a simplified and expedited basis before a single arbitrator chosen by the parties under the provincial or territorial commercial arbitration law and rules of the province or territory of your residence. You must also send a copy of your written demand to LG at LG Electronics, Canada, Inc., Attn: Legal Department-Arbitration, 20 Norelco Drive, North York, Ontario M9L 2X6. This arbitration provision is governed by your applicable provincial or territorial commercial arbitration legislation. Judgment may be entered on the arbitrator's award in any court of competent jurisdiction. All issues are for the arbitrator to decide, except that, issues relating to the scope and enforceability of the arbitration provision and to the arbitrability of the dispute are for the court to decide. The arbitrator is bound by the terms of this provision.

**Governing Law.** The law of the province or territory of your residence shall govern this Limited Warranty and any disputes between you and LG except to the extent that such law is preempted by or inconsistent with applicable federal or provincial/territorial law. Should arbitration not be permitted for any claim, action, dispute or controversy between you and LG, you and LG attorn to the exclusive jurisdiction of the courts of the province or territory of your residence for the resolution of the claim, action, dispute or controversy between you and LG.

**Fees/Costs.** You do not need to pay any fee to begin an arbitration. Upon receipt of your written demand for arbitration, LG will promptly pay all arbitration filing fees unless you seek more than \$25,000 in damages, in which case the payment of these fees will be governed by the applicable arbitration rules. Except as otherwise provided for herein, LG will pay all filing, administration and arbitrator fees for any arbitration initiated in accordance with the applicable arbitration rules and this arbitration provision. If you prevail in the arbitration, LG will pay your attorneys' fees and expenses as long as they are reasonable, by considering factors including, but not limited to, the purchase amount and claim amount. Notwithstanding the foregoing, if applicable law allows for an award of reasonable attorneys' fees and expenses, an arbitrator can award them to the same extent that a court would. If the arbitrator finds either the substance of your claim or the relief sought in the demand is frivolous or brought for an improper purpose (as measured by the applicable laws), then the payment of all arbitration fees will be governed by the applicable arbitration rules. In such a situation, you agree to reimburse LG for all monies previously disbursed by it that are otherwise your obligation to pay under the applicable arbitration rules. Except as otherwise provided for, LG waives any rights it may have to seek attorneys' fees and expenses from you if LG prevails in the arbitration.

**Hearings and Location.** If your claim is for \$25,000 or less, you may choose to have the arbitration conducted solely (1) on the basis of documents submitted to the arbitrator, (2) through a telephonic hearing, or (3) by an in-person hearing as established



by the applicable arbitration rules. If your claim exceeds \$25,000, the right to a hearing will be determined by the applicable arbitration rules. Any in-person arbitration hearings will be held at the nearest, most mutually-convenient arbitration location available within the province or territory in which you reside unless you and LG both agree to another location or agree to a telephonic arbitration.

**Severability and Waiver.** If any portion of this Limited Warranty (including these arbitration procedures) is unenforceable, the remaining provisions will continue in full force and effect to the maximum extent permitted by applicable law. Should LG fail to enforce strict performance of any provision of this Limited Warranty (including these arbitration procedures), it does not mean that LG intends to waive or has waived any provision or part of this Limited Warranty.

**Opt Out.** You may opt out of this dispute resolution procedure. If you opt out, neither you nor LG can require the other to participate in an arbitration proceeding. To opt out, you must send notice to LG no later than 30 calendar days from the date of the first consumer purchaser's purchase of the product by either (i) sending an e-mail to [optout@lge.com](mailto:optout@lge.com), with the subject line: "Arbitration Opt Out;" or (ii) calling 1-800-980-2973. You must include in the opt out e-mail or provide by telephone: (a) your name and address; (b) the date on which the product was purchased; (c) the product model name or model number; and (d) the serial number (the serial number can be found (i) on the product; or (ii) online by accessing [https://www.lg.com/ca\\_en/support/repair-service/schedule-repair](https://www.lg.com/ca_en/support/repair-service/schedule-repair) and clicking on "Find My Model & Serial Number").

In the event that you "Opt Out", the law of the province or territory of your residence shall govern this Limited Warranty and any disputes between you and LG except to the extent that such law is preempted by or inconsistent with applicable federal or provincial/territorial law. Should arbitration not be permitted for any claim, action, dispute or controversy between you and LG, you and LG agree to attorn to the exclusive jurisdiction of the courts of the province or territory of your residence for the resolution of the claim, action, dispute or controversy between you and LG. You may only opt out of the dispute resolution procedure in the manner described above (that is, by e-mail or telephone); no other form of notice will be effective to opt out of this dispute resolution procedure. Opting out of this dispute resolution procedure will not affect the coverage of the Limited Warranty in any way, and you will continue to enjoy the full benefits of the Limited Warranty. If you keep this product and do not opt out, then you accept all terms and conditions of the arbitration provision described above.

**Conflict of Terms.** In the event of a conflict or inconsistency between the terms of this Limited Warranty and the End User License Agreement ("EULA") in regards to dispute resolution, the terms of this Limited Warranty shall control and govern the rights and obligations of the parties and shall take precedence over the EULA.





ESPAÑOL

# MANUAL DE USUARIO REFRIGERADOR DE PUERTA FRANCESA

Lea cuidadosamente este manual del usuario antes de poner en funcionamiento el refrigerador, y téngalo a mano de referencia en todo momento.

[www.lg.com](http://www.lg.com)

Copyright © 2013 - 2022 LG Electronics Inc. Todos los Derechos Reservados.

# TABLA DE CONTENIDO

## 3 FUNCIONES DEL PRODUCTO

## 4 INSTRUCCIONES IMPORTANTES DE SEGURIDAD

## 7 COMPONENTES

- 7 Parte exterior del refrigerador
- 8 Parte interior del refrigerador

## 9 INSTALACIÓN

- 9 Instrucciones generales de instalación
- 10 Especificaciones
- 11 Desempaque del refrigerador
- 11 Cómo elegir la ubicación más adecuada
  - 11 - Tipo de piso
  - 12 - Temperatura ambiente
  - 12 - Cómo medir la distancia de separación mínima
- 12 Montaje y desmontaje de las manijas de la puerta del refrigerador
- 13 Montaje y desmontaje de la manija de la puerta del congelador
- 13 Montaje y desmontaje de la manija de las puertas y cajones
  - 14 - Desmontaje de la puerta izquierda del refrigerador
  - 15 - Desmontaje de la puerta derecha del refrigerador
  - 16 - Montaje de la puerta derecha del refrigerador
  - 17 - Montaje de la puerta izquierda del refrigerador
  - 18 - Desmontaje de los cajones del congelador
  - 19 - Montaje de los cajones del congelador
- 20 Conexión de la tubería de agua
  - 20 - Antes de comenzar
  - 20 - Presión del agua
  - 20 - ¿Qué necesitará?
- 22 - Instrucciones para la instalación de las tuberías de agua
- 24 Encendido

- 24 Nivelación y alineación de las puertas
  - 24 - Nivelación
  - 25 - Alineación de las puertas

## 26 INSTRUCCIONES DE USO

- 26 Antes de usar
- 27 Panel de control
  - 27 - Funciones del panel de control
- 28 Máquina de hielo automática
  - 28 - Encendido y apagado de la máquina de hielo automática
  - 29 - Cuando se debe apagar la máquina de hielo
  - 29 - Sonidos normales que se pueden escuchar
  - 29 - Preparación para las vacaciones
- 30 Almacenamiento de alimentos
  - 30 - Lugar de conservación de los alimentos
  - 31 - Sugerencias para el almacenamiento de los alimentos
  - 31 - Almacenamiento de alimentos congelados
- 32 Cajón con control de humedad y Glide'N'Serve
- 33 Montaje y desmontaje de los depósitos de almacenamiento
- 34 Ajuste de los estantes del refrigerador

## 35 MANTENIMIENTO

- 35 Limpieza

## 36 SMART DIAGNOSIS™ (Diagnóstico inteligente)

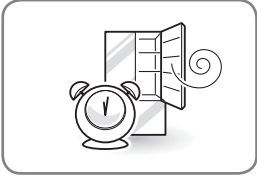
- 36 Uso de Smart Diagnosis™

## 37 SOLUCIÓN DE PROBLEMAS

## 44 GARANTÍA

# FUNCIONES DEL PRODUCTO

\* Dependiendo del modelo, algunas de las siguientes funciones puede no estar disponible.



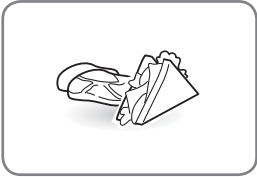
## ALARMA DE LA PUERTA

La función de Alarma de la puerta está diseñada para prevenir el mal funcionamiento del refrigerador en caso de que una puerta del refrigerador o cajón del congelador permanecieran abiertos. Si se deja abierta una puerta del refrigerador o abierto el cajón del congelador por más de 60 segundos, sonará una alarma de advertencia en intervalos de 30 segundos.



## CAJONES CON CONTROL DE HUMEDAD

Los cajones con control de humedad están diseñados para ayudar a mantener las frutas y las verduras frescas. Para controlar la cantidad de humedad en los cajones, ajuste las configuraciones entre Fruit (Fruta) y Vegetable (Vegetales).



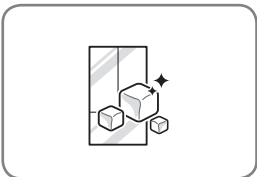
## GLIDE'N'SERVE

Glide'N'Serve proporciona un espacio de almacenamiento con control de temperatura variable que mantiene el compartimento más frío que el resto del refrigerador. Es un lugar conveniente para almacenar sándwiches o carnes a cocinar.



## BISAGRA CON MECANISMO DE CIERRE AUTOMÁTICO

Las puertas del refrigerador y los cajones del congelador se cierran automáticamente al empujarlos suavemente. (La puerta sólo se cierra automáticamente cuando está abierta a un ángulo menor a 30°).



## ICE PLUS

La producción de hielo puede aumentarse en aproximadamente un 20 por ciento cuando la sección del congelador se mantiene a la temperatura más fría durante un período de 24 horas.

# INSTRUCCIONES IMPORTANTES DE SEGURIDAD

## LEA TODAS LAS INSTRUCCIONES ANTES DE UTILIZAR EL ELECTRODOMÉSTICO.

Este manual contiene muchos mensajes de seguridad importantes. Lea y cumpla siempre todos los mensajes de seguridad.



Este es el símbolo de alerta de seguridad. Le avisa de mensajes de seguridad que le informan de peligros de muerte o lesiones para usted o los demás, o que puedan dañar el producto.

Todos los mensajes de seguridad estarán precedidos del símbolo de alerta de seguridad y de las palabras de señal de peligro ADVERTENCIA o PRECAUCIÓN. Estas palabras significan:



**ADVERTENCIA** Si no respeta las instrucciones, podría morir o sufrir lesiones graves.



**PRECAUCIÓN** Indica una situación de peligro inminente que, si no se evita, podría producir una lesión menor o moderada, o daño al producto.



**ADVERTENCIA**

Para reducir el riesgo de incendio, descarga eléctrica o lesiones personales al utilizar el producto, se deben respetar una serie de precauciones básicas de seguridad, entre las que se incluyen las siguientes:

### Alimentación eléctrica

- NUNCA desenchufe el refrigerador tirando del cable de alimentación. Agarre siempre el enchufe firmemente y tire del mismo para retirarlo de la toma de corriente.
- Si el cable de alimentación está dañado, deberá ser sustituido por el fabricante, su agente de servicio o personal calificado necesario para evitar peligros. No use un cable con grietas o abrasiones sobre su extensión o en los extremos del enchufe o conector.
- No utilice una toma de corriente no certificada.
- Desenchufe el refrigerador de inmediato en caso de corte de energía o tormenta.
- Enchufe el refrigerador con el cable de alimentación ubicado hacia abajo.
- No utilizar extensiones o adaptadores sin puesta a tierra.

### Instalación

- Comuníquese con un centro de servicios autorizado cuando instale o cambie de lugar el refrigerador.
- Cuando separe el refrigerador de la pared, tenga cuidado de no torcer o dañar el cable de alimentación.
- Antes de usar el producto, asegúrese de conectarlo a una toma de corriente eléctrica con conexión a tierra adecuada calificada para usar con este producto (115/127V~60Hz, sólo CA). Es responsabilidad del usuario reemplazar una toma de corriente de 2 clavijas estándar por una toma de corriente de 3 clavijas estándar.
- No instale el refrigerador donde pueda haber peligro de que la unidad se caiga.

### Uso

- NO permita que los niños escalen, se paren o se cuelguen de las puertas o de los estantes del refrigerador. Podrían dañar el refrigerador o sufrir lesiones graves.
- No cuelgue ni coloque objetos pesados en el dispensador del refrigerador. (si le aplica)
- No coloque objetos pesados o peligrosos (botellas con líquido) en el refrigerador.
- No meta animales vivos dentro del refrigerador.
- No permita que los niños se metan en el refrigerador cuando está en uso.
- En caso de una fuga de gas (propano/LP), asegúrese de ventilar adecuadamente el ambiente y póngase en contacto con un centro de servicios autorizado antes de reanudar el uso del refrigerador. No toque ni desenchufe la toma de corriente eléctrica del refrigerador.
- En caso de una pérdida de refrigerante, aleje cualquier objeto inflamable del refrigerador. Asegúrese de ventilar adecuadamente el ambiente y póngase en contacto con un centro de servicios autorizado.
- No use ni coloque sustancias inflamables (productos químicos, medicamentos, productos cosméticos, etc.) cerca del refrigerador ni los almacene dentro del mismo. No ubique el refrigerador cerca de gases inflamables.

## LEA TODAS LAS INSTRUCCIONES ANTES DE UTILIZAR EL ELECTRODOMÉSTICO.

Para reducir el riesgo de incendio, descarga eléctrica o lesiones personales al utilizar el producto, se deben respetar una serie de precauciones básicas de seguridad, entre las que se incluyen las siguientes:

- Este producto no debe ser utilizado para fines especiales, como ser para almacenar medicamentos o materiales de prueba, usar en barcos, etc.
- Desenchufe el refrigerador antes de limpiarlo o repararlo, cuando haya terminado, vuelva a conectar el refrigerador y ajuste el control del termostato (refrigerador y/o congelador) a la posición deseada.
- Desenchufe el refrigerador o corte la corriente eléctrica para sustituir la bombilla.
- No modifique ni alargue el cable de alimentación.
- No use un secador para secar el interior del refrigerador. No encienda velas para eliminar olores en el interior.
- Por su seguridad, este electrodoméstico debe estar conectado a tierra adecuadamente. Solicite a un electricista calificado que compruebe la toma de corriente y el circuito eléctrico para asegurarse de que la toma de corriente está correctamente conectada a tierra.
- No use una toma de corriente que pueda cortarse con interruptor. No utilice un cable alargador de corriente. Es responsabilidad del usuario reemplazar una toma de corriente de 2 clavijas estándar por una toma de corriente de 3 clavijas estándar.
- Bajo ninguna circunstancia corte o quite la tercera clavija (de puesta a tierra) del cable de alimentación.
- No utilice enchufes adaptadores; conecte el enchufe de alimentación a una extensión de toma corriente múltiple.
- Desenchufe el cable de alimentación de inmediato si escucha un ruido, huele un olor extraño o detecta humo proveniente del electrodoméstico.
- Corte la corriente eléctrica si entra agua o polvo al refrigerador. Póngase en contacto con un agente de servicios.
- No desmonte ni modifique el refrigerador.
- No ponga las manos, pies u objetos metálicos debajo ni detrás del refrigerador.
- No opere el refrigerador ni toque el cable de alimentación con las manos húmedas.
- En los refrigeradores con máquinas de hielo automáticas, evite el contacto con las piezas móviles del mecanismo eyector o con el elemento calefactor que libera los cubitos. No introduzca los dedos o las manos en el mecanismo de producción automática de hielo con el refrigerador enchufado.
- No utilice cerámica cristalina para extraer hielo del dispensador.
- No toque las superficies frías del compartimento del congelador con las manos húmedas o mojadas cuando el refrigerador esté en funcionamiento.
- No introduzca contenedores de vidrio, botellas de vidrio o gaseosas en el congelador.
- Este electrodoméstico no fue diseñado para ser utilizado por personas con capacidades físicas, sensoriales o mentales reducidas (incluidos los niños), o con falta de experiencia y conocimiento, a menos que lo hagan bajo la supervisión o instrucciones de uso de una persona responsable por su seguridad. Los niños deben ser supervisados para asegurar que no jueguen con el aparato.
- No vuelva a congelar alimentos congelados que se hayan descongelado completamente. Hacerlo puede causar un grave problema de salud.
- Si va a desechar su antiguo refrigerador, asegúrese que un técnico calificado se encargue de retirar el refrigerante de CFC (clorofluorocarbono) o HCFC (hidroclorofluorocarbono) para su adecuada eliminación. Si libera refrigerante de CFC o HCFC, podrá ser sujeto a una multa o pena de prisión de acuerdo a las leyes ambientales pertinentes de su país.
- Los refrigeradores desechados o abandonados son peligrosos, incluso si sólo es por unos pocos días. Cuando deseché el refrigerador, puede extraer los materiales de empaque de las puertas o sacar las puertas, pero deje los estantes en su lugar para que los niños no puedan fácilmente meterse dentro del refrigerador.
- Si el refrigerador está conectado a un circuito protegido por fusibles, utilice fusibles retardantes.
- Si ya no requiere del uso de esta unidad, contacte a las autoridades locales para deshacerse de este producto de forma segura ya que usa Ciclo-Pentano o Pentano como gases inflamables espumantes para el aislamiento. Los gases del material de aislamiento requieren un proceso especial de eliminación. Este producto contiene gases aislantes inflamables.
- Mantenga las aberturas de ventilación, en la cubierta del electrodoméstico o en la estructura incorporada, despejada de obstrucciones.

**LEA TODAS LAS INSTRUCCIONES ANTES DE UTILIZAR EL ELECTRODOMÉSTICO**

Para reducir el riesgo de incendio, descarga eléctrica o lesiones personales al utilizar el producto, se deben respetar una serie de precauciones básicas de seguridad, entre las que se incluyen las siguientes:

**Riesgo de incendio y materiales inflamables**

\*El tipo de refrigerante está indicado en la etiqueta dentro de su refrigerador, esta advertencia se aplica sólo para los modelos con refrigerante R600a.



Este electrodoméstico contiene una pequeña cantidad de refrigerante isobutano (R600a), que es combustible. Al transportar e instalar el electrodoméstico, debe prestar atención para asegurar que ninguna parte del circuito refrigerante se dañe. Fuga del refrigerante fuera de las pipas podría generar un incendio o causar una lesión ocular. Si se detecta una fuga, evite cualquier llama descubierta o fuentes potenciales de incendio, y ventile el ambiente en el que se encuentra el electrodoméstico por varios minutos.

A manera de evitar la creación de una mezcla de gas y aire inflamable en caso ocurra una fuga en el circuito refrigerante, el tamaño del ambiente en el que el electrodoméstico se ubica deberá corresponder a la cantidad de refrigerante usada. El espacio debe ser de 10.8 pies cuadrados (1 metro cuadrado) por cada 8g de refrigerante R600a dentro del electrodoméstico. La cantidad de refrigerante en su electrodoméstico particular se muestra en la placa de identificación ubicada dentro del mismo. Nunca inicie un electrodoméstico mientras este muestre algún signo defectuoso. En caso de dudas, consulte con su distribuidor.

**PRECAUCIÓN**
**Instalación**

- El refrigerador se debe instalar correctamente de acuerdo con las instrucciones para el instalador incluidas en la hoja que fue pegada al frente del refrigerador.
- Tenga cuidado al desembalar e instalar el refrigerador. Deseche inmediatamente los materiales plásticos y otros materiales de empaque fuera del alcance de los niños.
- El electrodoméstico debe ubicarse con un fácil acceso a una fuente de energía.

**Uso**

- Cierre la puerta con cuidado cuando haya niños alrededor.
- Mantenga los dedos lejos de los puntos de riesgo de agarre; las distancias de separación entre las puertas y los gabinetes son necesariamente pequeñas. Tenga especial cuidado al cerrar las puertas cuando haya niños cerca.
- Si almacena los alimentos de manera inadecuada, éstos podrían caerse y causar lesiones.
- No utilice aerosoles cerca del refrigerador.
- No deje artículos en la parte superior del electrodoméstico.

**Mantenimiento**

- No utilice detergentes fuertes tales como ceras o disolventes para limpiar el refrigerador. Límpielo con un trapo suave.
- Limpie regularmente todo objetos extraño (como polvo y agua) de las clavijas del enchufe de alimentación y de las áreas de contacto.
- No almacene, desmonte ni repare el refrigerador usted mismo.
- Quite cualquier resto de polvo o sustancia extraña de las clavijas del enchufe de alimentación.
- No use trapos húmedos o mojados para limpiar el enchufe.
- Si el refrigerador está desconectado del suministro de energía eléctrica, espere al menos cinco minutos antes de volver a enchufarlo.
- Si nota olor de un producto químico, plástico quemado ó si ve humo, desenchufe el refrigerador de inmediato y póngase en contacto con su Centro de Servicios de LG Electronics.

**ADVERTENCIA****NO USAR DISPOSITIVOS MECÁNICOS**

No use dispositivos mecánicos u otros medios para acelerar el proceso de descongelamiento, solo aquellos recomendados por el fabricante.

**ADVERTENCIA****NO GUARDAR APARATOS**

**ELÉCTRICOS,** No use aparatos eléctricos en el interior del compartimento para almacenar comida, al menos que éstos sean del tipo recomendado por el fabricante.

# CONSERVE ESTAS INSTRUCCIONES

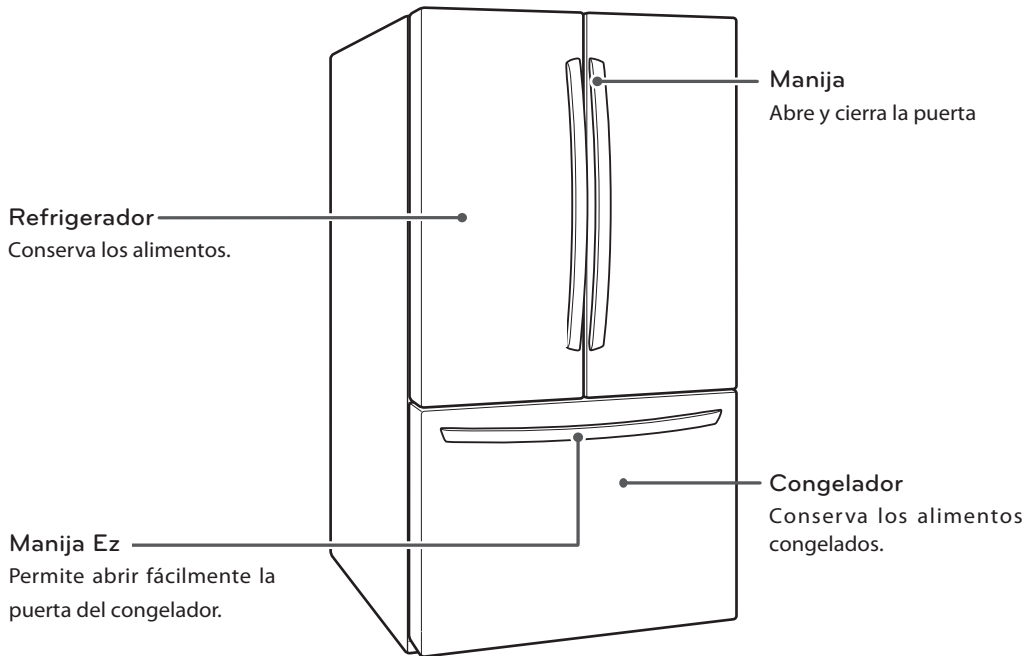


# COMPONENTES

Use esta página para familiarizarse con los componentes y funciones del refrigerador. Para su comodidad, se incluyen referencias a las páginas.

\* La apariencia y especificaciones del producto real pueden diferir dependiendo del modelo.

## Parte exterior del refrigerador



## Parte interior del refrigerador

\*Partes Opcionales: no incluidas en todos los modelos.

**Lámparas interiores LED**  
Las lámparas interiores iluminan el interior del refrigerador.

**Estante de refrigerador ajustable**  
Los estantes del refrigerador son ajustables para satisfacer sus necesidades personales de almacenamiento. (Medio tipo o completo)

**Bandeja para lácteos\***  
Permite conservar los productos lácteos. (Solo algunos modelos)

**Bandejas de puerta modulares**  
Las bandejas intercambiables pueden acomodarse para adaptarse a sus necesidades de almacenamiento.

**Bandeja de puerta fija\***  
Permite conservar los alimentos o bebidas fríos.

**Cajón**  
Controla la humedad y ayuda a mantener frescas las frutas y verduras.

**Bisagra con mecanismo de cierre automático**  
Las puertas del refrigerador y los cajones del congelador se cierran automáticamente al empujarlos suavemente.

(La puerta sólo se cierra automáticamente cuando está abierta a un ángulo menor a 30°).

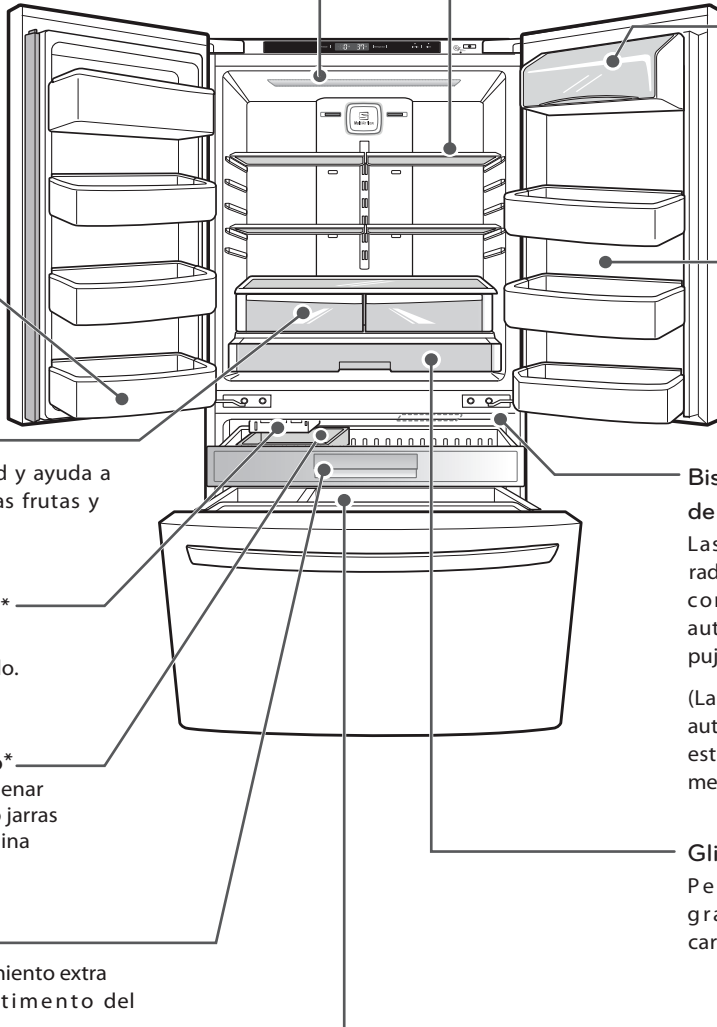
**Máquina de Hielo\***  
Produce automáticamente cubitos de hielo.

**Depósito de Hielo\***  
Puede quitarse para llenar hieleras, heladeritas o jarras (Incluido con la máquina de hielo).

**Glide'N'Serve**  
Permite almacenar grandes bandejas de carnes frías y bebidas.

**Cajón extraíble**  
Permite el almacenamiento extra dentro del compartimento del congelador.

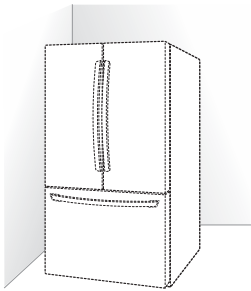
**Durabase® y divisor Durabase®**  
Durabase es un espacio de almacenamiento recomendado para la conservación de alimentos grandes. El divisor Durabase permite organizar el área Durabase en secciones. Se puede ajustar de lado a lado para alojar artículos de diferentes tamaños.



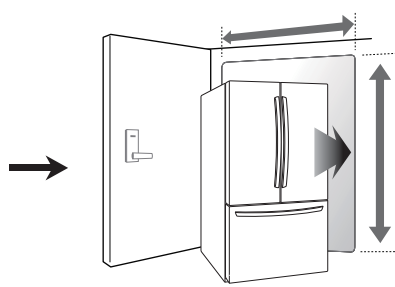
# INSTALACIÓN

## Instrucciones generales de instalación

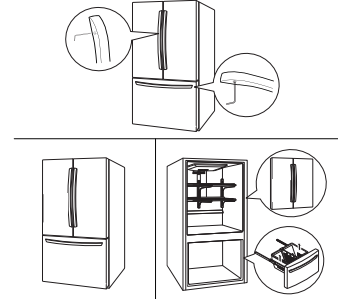
Luego de comprar este producto o trasladarlo a otro lugar, lea primero las siguientes instrucciones de instalación.



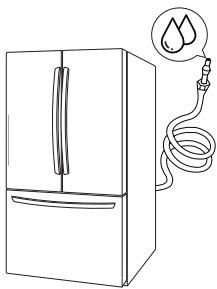
1 Desempaque del refrigerador



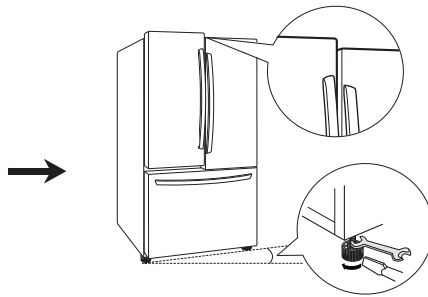
2 Cómo elegir la ubicación más adecuada



3 Montaje y desmontaje



4 Conexión del suministro de agua y del conducto de agua



5 Nivelación y alineación de las puertas

“Este aparato está destinado a ser usado en aplicaciones domésticas y similares, tales como:

- Áreas de personal de cocina en tiendas, oficinas y otros ambientes de trabajo; Casas de campo y por clientes en hoteles, moteles y otros ambientes de tipo residencial.
- Entornos de alojamiento y desayuno de tipo; Hostelería y similares aplicaciones no comerciales”.

## Especificaciones

La apariencia y especificaciones indicadas en este manual pueden variar debido a las constantes mejoras en el producto.

Dimensiones	Ancho 32 3/4 in. (833 mm)	32 3/4" (ancho) X 35 1/2" (prof.) X 69 7/8" (alto), 46" (prof. c/ puerta abierta) 833 mm (ancho) X 901 mm (prof.) X 1775,5 mm (alto), 1168,5 mm (prof. c/puerta abierta)
	Ancho 29 3/4 in. (756 mm)	29 3/4" (ancho) X 35 1/2" (prof.) X 68 1/2" (alto), 44 3/4" (prof. c/ puerta abierta) 756 mm (ancho) X 901 mm (prof.) X 1740 mm (alto), 1137 mm (prof. c/puerta abierta)
Peso neto	Ancho 32 3/4 in. (833 mm)	115 kg (253 lb.)
	Ancho 29 3/4 in. (756 mm)	107,9 kg (237,4 lb. )

## Desempaque del refrigerador



### ADVERTENCIA

- El desplazamiento e instalación del refrigerador deben realizarse entre dos o más personas. Si no se respeta esta advertencia, podrá sufrir lesiones en la espalda o de otro tipo.
- Su refrigerador es pesado. Al desplazarlo para su limpieza o mantenimiento, asegúrese de proteger el suelo. Siempre debe tirar del refrigerador en línea recta cuando lo desplace. No menee ni zigzaguee el refrigerador al tratar de desplazarlo, ya que esto puede dañar el suelo.
- Mantenga los materiales o vapores inflamables, como la gasolina, lejos del refrigerador. Si no se cumple con esto, se podrá producir una explosión, incendio o muerte.

Antes de su uso, retire la cinta adhesiva y todas las etiquetas temporales del refrigerador. Retirar vinil de las puertas antes de conectar la unidad a la corriente eléctrica (solo en algunos modelos). No retire las etiquetas que indican advertencias, la etiqueta del modelo y del número de serie/hojas de instalación o diagrama de circuito ubicado en la parte de atrás del refrigerador.

Para retirar los restos de pegamento o cinta adhesiva, frote enérgicamente el área con el pulgar. Los residuos de pegamento o cinta adhesiva también se pueden retirar fácilmente frotando con los dedos una pequeña cantidad de jabón lavavajillas líquido sobre el adhesivo. Limpie con agua templada y seque el área.

No utilice instrumentos afilados, alcohol desinfectante, líquidos inflamables ni limpiadores abrasivos para retirar la cinta adhesiva o el pegamento. Estos productos pueden dañar la superficie del refrigerador.

Los estantes del refrigerador están instalados en la posición de transporte. Coloque los estantes de acuerdo con sus necesidades personales de almacenamiento.

## Cómo elegir la ubicación más adecuada

- Seleccione un lugar en el que se pueda conectar fácilmente el suministro de agua para la máquina de hielo automática.



### NOTA

La presión del agua debe estar entre los 20 y los 120 psi (0,14 y 0,82 MPa) en modelos sin filtro de agua, y entre los 40 y 120 psi (0,28 y 0,82 Mpa) en modelos con filtro de agua.

- El refrigerador debe estar siempre enchufado a su toma de corriente individual conectada a tierra adecuadamente con una tensión nominal de 115/127 V ~ 60 Hz, sólo CA, y protegida mediante fusibles de entre 15 ó 20 A. Esta configuración proporciona el mejor rendimiento y, al mismo tiempo, evita la sobrecarga de la instalación eléctrica de la casa que podría provocar un peligro de incendio debido a un sobrecalentamiento de los cables. Se recomienda disponer de un circuito independiente para la exclusiva alimentación de este electrodoméstico.



### ADVERTENCIA

Para reducir el riesgo de descarga eléctrica, no instale el refrigerador en un área húmeda o mojada.

### Tipo de piso

Para evitar el ruido y la vibración, es necesario nivelar la unidad e instalarla en un suelo sólidamente construido. Si es necesario, ajuste las patas de nivelación para compensar los desniveles del suelo. La parte delantera debe estar ligeramente más elevada que la posterior para ayudar al cierre de la puerta. Las patas de nivelación se pueden girar con facilidad inclinando ligeramente el aparato. Gire las patas de nivelación hacia la izquierda para levantar la unidad, o hacia la derecha para bajarla. (Consulte Nivelación y alineación de las puertas).



### NOTA

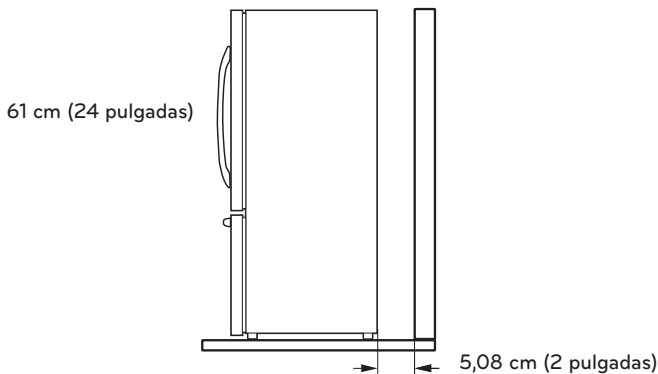
No se recomienda realizar la instalación sobre alfombra, superficies de baldosas flexibles, plataformas o estructuras con soporte inestable.

## Temperatura ambiente

Instale este electrodoméstico en una zona donde la temperatura esté entre los 13°C (55°F) y 43°C (110°F). Si la temperatura alrededor del electrodoméstico es demasiado baja o demasiado alta, la capacidad de refrigeración se verá gravemente afectada.

## Cómo medir la distancia de separación mínima

Una distancia demasiado pequeña con los elementos adyacentes puede dar como resultado una reducción de la capacidad de congelación y un aumento del consumo eléctrico. Deje al menos 61 cm (24 pulgadas) en el frente del refrigerador para abrir la puertas y al menos 5,08 cm (2 pulgadas) entre la parte posterior del refrigerador y la pared.



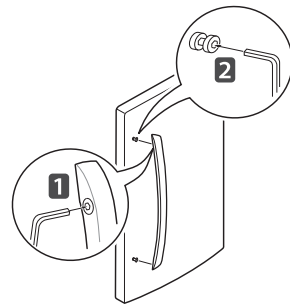
## Montaje y desmontaje de las manijas de la puerta del refrigerador

### ! NOTA

Se recomienda desmontar las puertas cuando sea necesario trasladar el refrigerador a través de una abertura angosta. Si es necesario desmontar las manijas, siga las instrucciones que se indican a continuación. La apariencia de la manija puede variar de la que se muestra en las ilustraciones

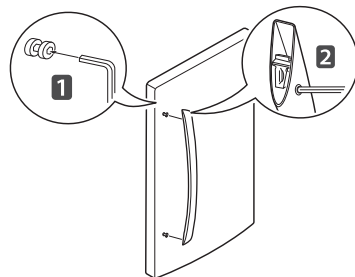
### Desmontaje de las manijas

- 1 Afloje los tornillos de presión **1** con una llave Allen de 2,5 mm. (3/32 pulg) y retire la manija.
- 2 Afloje los sujetadores de montaje **2** que conectan la puerta y la manija del refrigerador con una llave Allen de 6,35 mm (1/4 pulg) y retire los sujetadores de montaje.



### Montaje de las manijas

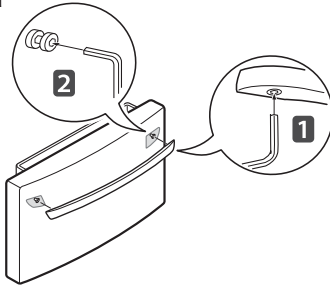
- 1 Coloque los sujetadores de montaje **1** en ambos extremos de la manija con una llave Allen de 6,35mm (1/4 pulg).
- 2 Coloque la manija en la puerta ajustando las zonas de contacto de la manija sobre los sujetadores de montaje y apretando los tornillos de presión **2** con una llave Allen de 2,5 mm. (3/32 pulg).



## Montaje y desmontaje de la manija del cajón del congelador

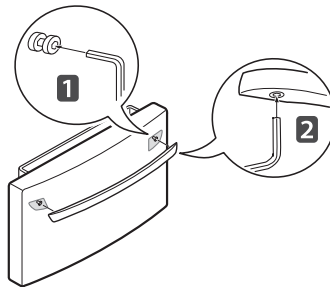
### Desmontaje de la manija

- 1 Afloje los tornillos de presión **1** ubicados en la parte inferior de la manija con una llave Allen de 2,5 mm (3/32 pulg) y retire la manija.
- 2 Afloje los sujetadores de montaje **2** que conectan la puerta y la manija del congelador con una llave Allen de 6,35 mm (1/4 pulg) y retire los sujetadores de montaje.



### Montaje de la manija

- 1 Coloque los sujetadores de montaje 1 en ambos extremos de la manija con una llave Allen de 6,35 mm (1/4 pulg).
- 2 Coloque la manija en la puerta ajustando las zonas de contacto de la manija sobre los sujetadores de montaje y apretando los tornillos de presión **2** con una llave Allen de 2,5 mm (3/32 pulg).



## Montaje y desmontaje de las puertas y cajones

Se recomienda desmontar las puertas cuando sea necesario trasladar el refrigerador a través de una abertura angosta.

### ⚠ ADVERTENCIA

- Si la puerta de entrada es demasiado estrecha para que pase el refrigerador, retire las puertas del refrigerador y páselo de costado a través de la puerta.
- El desplazamiento e instalación de las puertas del refrigerador deben realizarse entre dos o más personas. Si no se respeta esta advertencia, se podrán producir lesiones en la espalda o de otro tipo.
- Desenchufe el suministro eléctrico al refrigerador antes de realizar la instalación. Si no se respeta esta advertencia, pueden producirse lesiones graves e incluso la muerte.
- No ponga las manos, pies ni ningún otro objeto en las rejillas de ventilación de aire o debajo del refrigerador. Podría sufrir lesiones o recibir una descarga eléctrica.
- Tenga cuidado al manipular la bisagra y tope. Podría sufrir alguna lesión.
- Retire los alimentos y las bandejas antes de desmontar las puertas y los cajones.

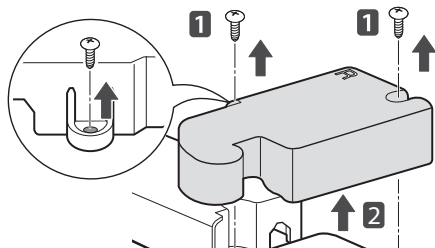
### ⚠ ADVERTENCIA

Cuando monte o desmonte la manija:

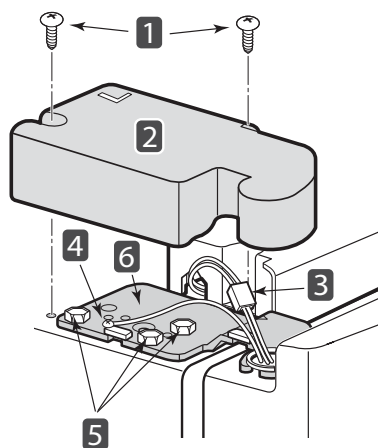
- Sujete firmemente la manija para evitar que se caiga.
- No gire la manija hacia personas o animales que se encuentren cerca.
- Asegúrese de que el agujero de soporte de la manija encaje correctamente en el tope de la puerta. Fije los tornillos de presión para fijar la manija en su lugar.
- Asegúrese de que no quede ningún espacio entre la puerta y la manija luego de colocar la manija.

## Desmontaje de la puerta izquierda del refrigerador

- 1 Retire los tornillos de la cubierta de la bisagra superior **1**. Levante el enganche (no visible), ubicado en la parte inferior del lado frontal de la cubierta **2**, con un destornillador plano.

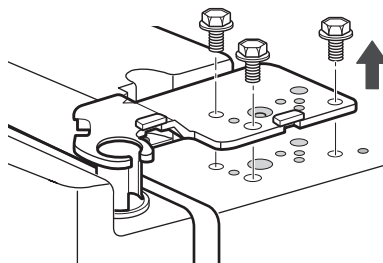


- 2 Desconecte el mazo de cables **3**.



- 3 Retire el tornillo de conexión a tierra **4**.

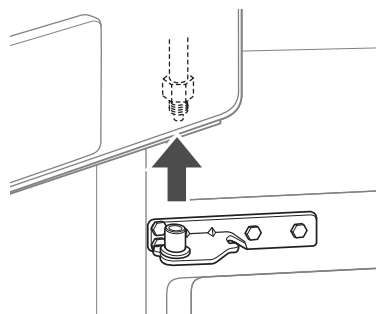
- 4 Retire los tres pernos con una llave de tubo de 10mm o 13/32 pulg. y extraiga hacia arriba la bisagra superior. Separe las piezas.



### ! PRECAUCIÓN

Cuando levante la bisagra, tenga cuidado de que la puerta no se caiga hacia delante.

- 5 Levante la puerta del pasador de la bisagra central y retire la puerta.



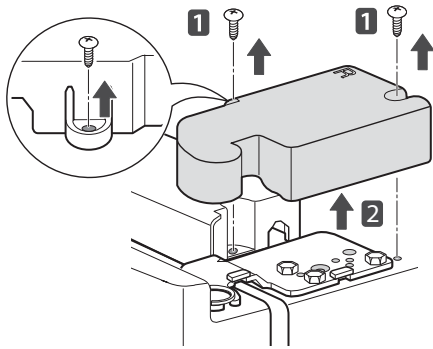
### ! PRECAUCIÓN

Coloque la puerta, con el interior hacia arriba, sobre una superficie que no la raye.

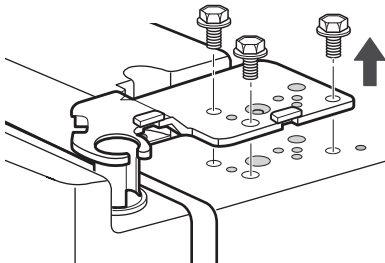


## Desmontaje de la puerta derecha del refrigerador

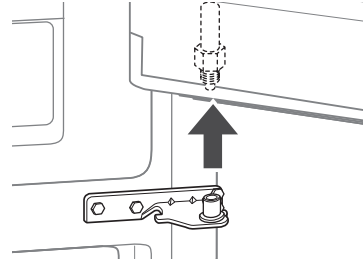
- 1 Retire los tornillos de la cubierta de la bisagra superior **1**. Levante el enganche (no visible), ubicado en la parte inferior del lado frontal de la cubierta **2**, con un destornillador plano.



- 2 Retire los tres pernos con una llave de tubo de 10mm o 13/32 pulg. y extraiga hacia arriba la bisagra superior. Separe las piezas.



- 3 Levante la puerta del pasador de la bisagra central y retire la puerta.



### PRECAUCIÓN

Coloque la puerta, con el interior hacia arriba, sobre una superficie que no la raye.



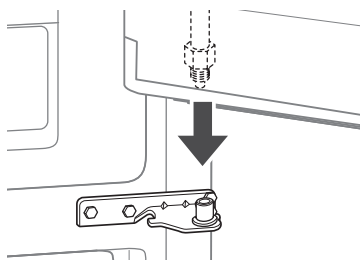
### PRECAUCIÓN

Cuando levante la bisagra, tenga cuidado de que la puerta no se caiga hacia delante.

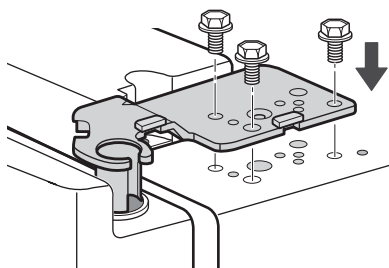
## Montaje de la puerta derecha del refrigerador

Instale primero la puerta del lado derecho.

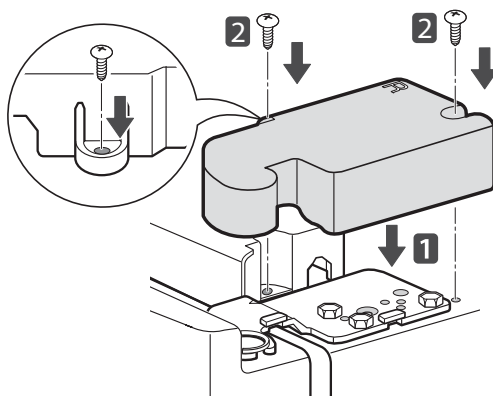
- 1 Asegúrese de que el mango plástico esté colocado en la parte inferior de la puerta. Baje la puerta sobre el pasador de la bisagra central, tal como se muestra en la imagen.



- 2 Alinee la puerta con el cuerpo del refrigerador.
- 3 Alinee los agujeros de la bisagra superior con los agujeros de la parte superior del refrigerador. Inserte y ajuste tres pernos en la bisagra.



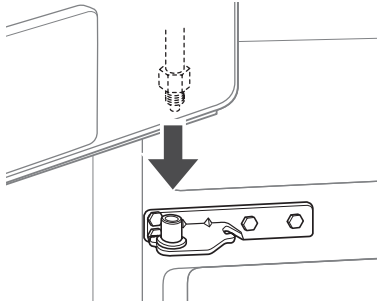
- 4 Vuelva a colocar la cubierta de la bisagra **1**. Inserte y apriete los tornillos de la cubierta **2**.



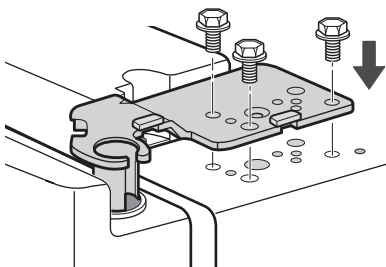
## Montaje de la puerta izquierda del refrigerador

Instale la puerta izquierda del refrigerador luego de instalar la puerta derecha.

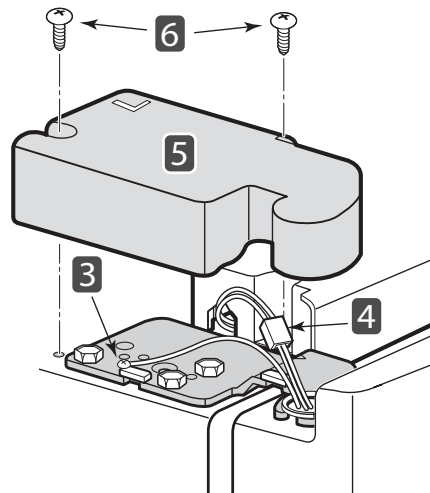
- 1 Asegúrese de que el mango plástico esté colocado en la parte inferior de la puerta. Instale la puerta del refrigerador sobre la bisagra central.



- 2 Alinee la puerta con el cuerpo del refrigerador.
- 3 Alinee los agujeros de la bisagra superior con los agujeros de la parte superior del refrigerador. Inserte y ajuste tres pernos en la bisagra.



- 4 Apriete el tornillo de conexión a tierra **3**.
- 5 Reconecte el mazo de cables **4**.
- 6 Vuelva a colocar la cubierta de la bisagra **5**. Inserte y apriete los tornillos de la cubierta **6**.



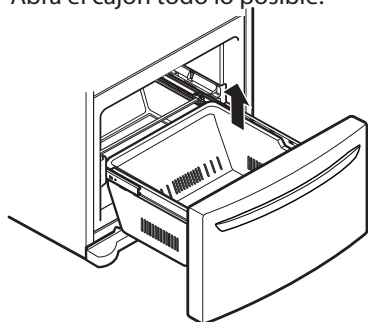
## Desmontaje de los cajones del congelador

Todos los cajones superior, medio e inferior se retiran del mismo modo. En las figuras siguientes, no se muestra el cajón extraíble situado por encima del cajón del congelador para que la imagen sea más clara.

### PRECAUCIÓN

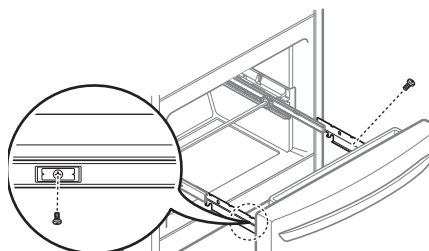
- El desplazamiento e instalación del cajón del congelador deben realizarse entre dos ó más personas. Si no se respeta esta advertencia, se podrán producir lesiones en la espalda o de otro tipo.
- No agarre la manija mientras desmonta o vuelve a colocar el cajón. La manija podría salirse y provocar lesiones personales.
- Tenga cuidado con las bisagras punzantes en ambos lados del cajón.
- Cuando apoye el cajón sobre el piso, tenga cuidado de no dañarlo.
- No se siente ni se pare sobre el cajón del congelador.
- Mantenga los niños y las mascotas alejados del cajón para evitar accidentes. No deje abierto el cajón.

- 1 Abra el cajón todo lo posible.

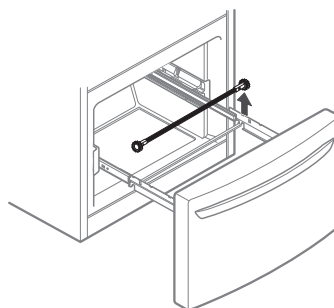


- 2 Levante la cesta DuraBase hacia afuera, asegurándose de dejar libre el sistema de rieles.

- 3 Extraiga los tornillos ubicados a los extremos de ambos rieles.



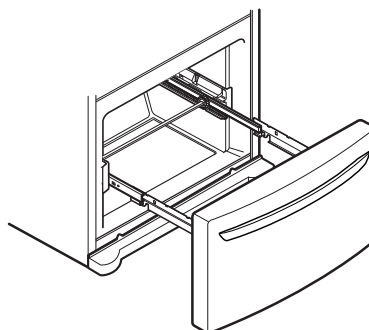
- 4 Deslice la barra hacia afuera.



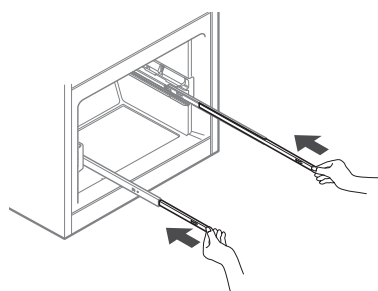
### PRECAUCIÓN

No agarre la manija mientras desmonta o vuelve a colocar el cajón. La manija podría salirse y provocar lesiones personales.

- 5 Sostenga ambos lados del cajón y tire del mismo hacia arriba para separarlo de los rieles.



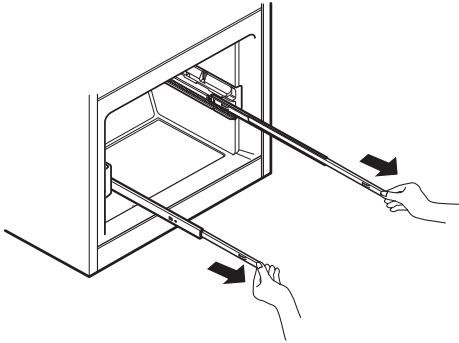
- 6 Sosteniendo un riel con cada mano, empuje los rieles hacia adentro simultáneamente.



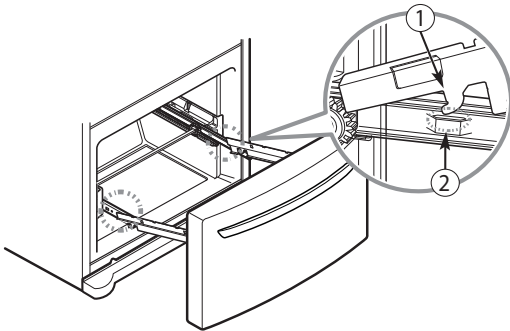
## Montaje de los cajones del congelador

Todos los cajones superior, medio e inferior se colocan del mismo modo.

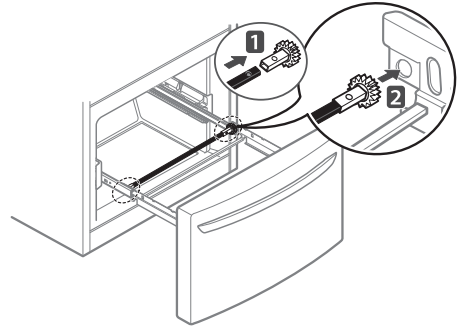
- 1 Con ambas manos, tire hacia afuera ambos rieles de manera simultánea hasta que se extiendan por completo.



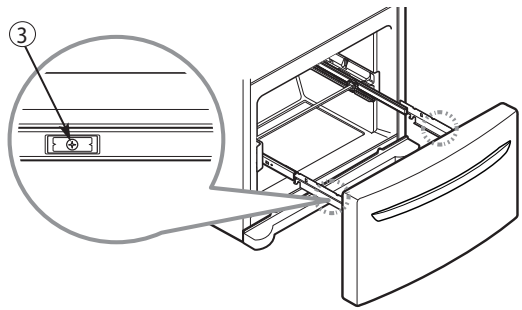
- 2 Sujete el cajón por cada lado y enganche los soportes del mismo en las pestañas ① de los rieles ubicadas en ambos lados ②.



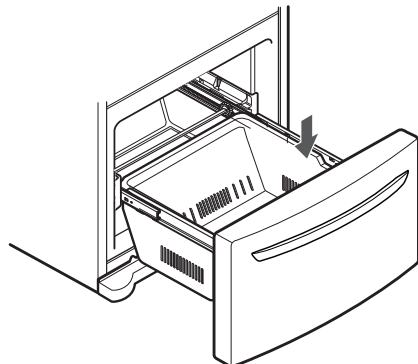
- 3 Vuelva a colocar la barra en los soportes del cajón.



- 4 Baje la puerta hasta su posición final y apriete los tornillos ubicados a ambos lados ③.



- 5 Con el cajón completamente sacado, inserte la cesta inferior en la estructura de rieles.



### PRECAUCIÓN

No agarre la manija mientras desmonta o vuelve a colocar el cajón. La manija podría salirse y provocar lesiones personales.

## Conexión de las tuberías de agua (Sólo con máquina de hielos instalada)

### Antes de empezar

Esta instalación del conducto de agua no está cubierta por la garantía del refrigerador. Siga estas instrucciones con cuidado para minimizar el riesgo de costosos daños debidos al agua.

El golpe de ariete (golpeteo del agua en las tuberías) en la fontanería de la casa podría dañar componentes del refrigerador y provocar una fuga o una inundación de agua. Llame a un fontanero calificado para resolver el golpe de ariete antes de instalar el conducto de suministro de agua en el refrigerador.



### PRECAUCIÓN

Para evitar quemaduras y daños en el conducto, conecte solamente el tubo de agua del refrigerador a un suministro de agua fría.

Si va a usar el refrigerador antes de conectar el conducto de agua, asegúrese de que el interruptor de alimentación de la máquina de hielo está en la posición OFF (O).



### PRECAUCIÓN

No instale la tubería de la máquina de hielo en zonas donde las temperaturas descenden por debajo del punto de congelación.

### Presión del agua

La presión del agua debe estar entre los 20 y los 120 psi (0,14 y 0,82 MPa) en modelos sin filtro de agua, y entre los 40 y 120 psi (0,28 y 0,82 MPa) en modelos con filtro de agua.

Si se conecta un sistema de filtración de agua de ósmosis inversa al suministro de agua fría, esta instalación de la tubería de agua no está cubierta por la garantía del refrigerador. Siga las instrucciones cuidadosamente para minimizar el riesgo de sufrir averías de agua costosas.

Si se conecta un sistema de filtración de agua de ósmosis inversa al suministro de agua fría, la presión de agua al sistema de ósmosis inversa debe ser como mínimo de entre 40 y 60 psi (0,14 y 0,41 MPa), tarda menos de 2,0~3,0 segundos en llenar una taza de 0,2 L (7 oz.) de capacidad.



### PRECAUCIÓN

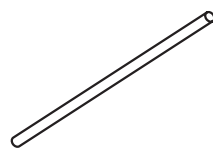
Use gafas protectoras durante la instalación para evitar lesiones.

Si la presión del agua procedente del sistema de ósmosis inversa es inferior a 21 psi o 0,14 MPa, tarda más de 4 segundos en llenar una taza de 0,2 L (7 oz.) de capacidad:

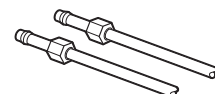
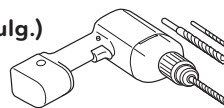
- Compruebe si el filtro de sedimentos del sistema por ósmosis inversa está bloqueado. Reemplace el filtro si es necesario.
- Después de un uso intensivo, dele tiempo al depósito de almacenamiento del sistema por ósmosis inversa para que se llene.
- Si el problema relacionado con la presión de agua procedente de la ósmosis inversa persiste, llame a un fontanero calificado.
- Todas las instalaciones deben realizarse conforme a los requisitos de los códigos locales de fontanería.

### ¿Qué necesitará?

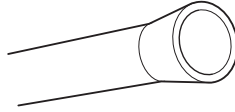
- **Tubería de cobre**, de 6,35 mm (1/4 pulg.) de diámetro, para conectar el refrigerador al suministro de agua. Asegúrese de que ambos extremos de la tubería están cortados a escuadra. Para determinar la cantidad de tubería que necesita: mida la distancia desde la válvula de agua situada en la parte posterior del refrigerador a la tubería del suministro de agua. Después agregue 2,4 metros (8 pies). Asegúrese de que haya suficiente tubería adicional (aproximadamente 2,4 metros [8 pies] enrollada en 3 vueltas de unos 25 cm [10 pulg.] de diámetro) para permitir que se pueda despegar el refrigerador de la pared después de la instalación.



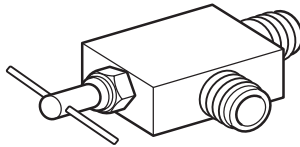
- **Taladro eléctrico.**
- **Llave de 13 mm (1/2 pulg.) o una llave inglesa.**
- **Destornilladores de punta plana y de estrella.**
- **Dos tuercas de compresión con un diámetro exterior de 6,35 mm (1/4 pulg.) y dos abrazaderas para unir tubería de cobre a la válvula de corte y a la válvula de agua del refrigerador.**



- Si el conducto de agua de cobre existente tiene una conexión abocinada en el extremo, necesitará un **adaptador** (disponible en cualquier ferretería) para conectar el conducto de agua al refrigerador o puede cortar la conexión abocinada con un cortatubos y, a después, usar una tuerca de unión.



- **Una válvula de corte para conectar al conducto de agua fría.** La válvula de corte debería tener una entrada de agua con un diámetro interior mínimo de 4 mm (5/32 pulg.) en el punto de conexión con el CONDUCTO DE AGUA FRÍA. Las válvulas de corte de montura se incluyen en muchos kits de suministro de agua. Antes de comprarla, asegúrese de que la válvula de montura cumple con los códigos locales de fontanería.



**!** NOTA

No se debe usar una válvula de agua de tipo de montura autoperforante.

## Instrucciones para la instalación del tuberías de agua



### ADVERTENCIA

- Si usa un dispositivo eléctrico (como un taladro) durante la instalación, asegúrese de que esté alimentado por batería y que tenga doble aislamiento o que esté correctamente conectado a tierra de manera que evite el riesgo de una descarga eléctrica.

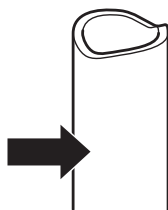
Instale la válvula de corte cerca del conducto de agua potable que más se usa.

#### 1. CORTE EL SUMINISTRO DE AGUA PRINCIPAL

Abra el grifo más cercano para liberar la presión del conducto.

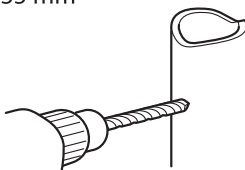
#### 2. ELIJA LA UBICACIÓN DE LA VÁLVULA

Elija una ubicación para la válvula a la que se pueda acceder fácilmente. Es mejor conectarla en el lateral de una tubería de agua vertical. Cuando sea necesario conectarla en una tubería de agua horizontal, realice la conexión en la parte superior o lateral, en lugar de conectarla a la parte inferior, para evitar la acumulación de sedimentos de la tubería de agua.



#### 3. TALADRE EL ORIFICIO PARA LA VÁLVULA

Taladre un orificio de 6,35 mm (1/4 pulg.) en la tubería de agua mediante una punta afilada. Quite todas las rebabas resultantes de taladrar el orificio en la tubería. Tenga cuidado de que no caiga agua en el taladro. Si no se taladra un orificio de 6,35 mm (1/4 pulg), podría verse reducida la producción de hielo o el tamaño de los cubitos.

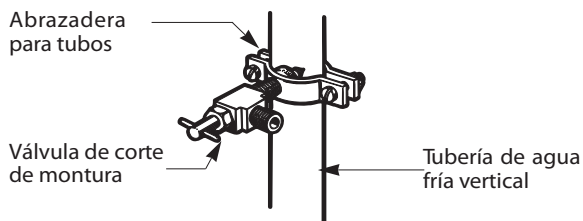


### NOTA

La tubería de conexión no puede ser una tubería blanca de plástico. Los plomeros autorizados sólo deben usar tuberías de cobre NDA #49595 o 49599 o tuberías PEX (polietileno reticulado).

#### 4. AJUSTE LA VÁLVULA DE CORTE

Ajuste la válvula de corte a la tubería de agua fría con la abrazadera para tubos.



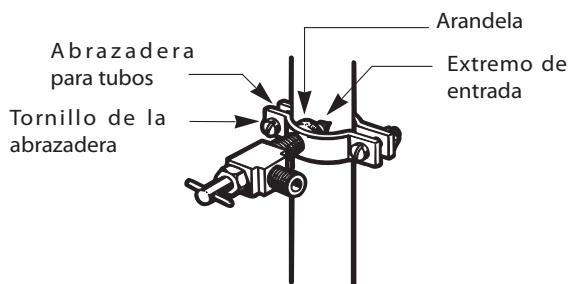
### NOTA

Se deben cumplir los códigos de fontanería 248CMR del Estado de Massachusetts. Las válvulas de montura son ilegales y no se permite su uso en Massachusetts. Consulte a su plomero autorizado por la normas y regulaciones de su país.

#### 5. APRIETE LA ABRAZADERA PARA TUBOS

Apriete los tornillos de la abrazadera hasta que la arandela de sellado comience a hincharse.

NOTA: Tenga cuidado de no sobreapretar la abrazadera, ya que podría romper la tubería.



#### 6. RUTEE LA TUBERÍA

Rutee la tubería entre la tubería de agua fría y el refrigerador.

Rutee la tubería a través de un orificio taladrado en la pared o piso (detrás del refrigerador o junto a la base del aparato) lo más cerca de la pared que sea posible.



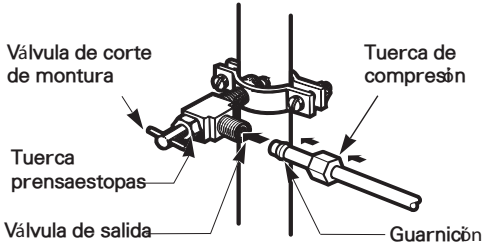
### NOTA

Asegúrese de que haya suficiente tubería adicional, aproximadamente 2,4 metros (8 pies) enrollada en 3 vueltas de unos 25 cm (10 pulg.) de diámetro para permitir que se pueda despegar el refrigerador de la pared después de la instalación.



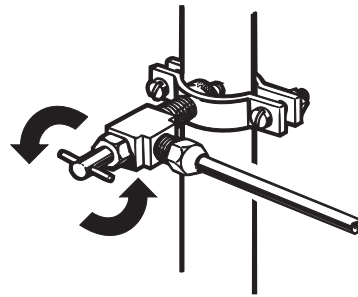
7. CONECTE LA TUBERÍA A LA VÁLVULA

Coloque la tuerca de compresión y la abrazadera para la tubería de cobre en el extremo de la tubería y conéctela a la válvula de corte. Asegúrese de que la tubería está completamente insertada en la válvula. Apriete la tuerca de compresión con fuerza.



10 ABRA EL PASO DE AGUA EN LA VÁLVULA DE CORTE

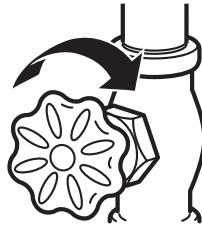
Apriete las conexiones que goteen.



8. ACLARE EL INTERIOR DE LA TUBERÍA

Active el suministro de agua principal y deje correr el agua por la tubería hasta que salga agua clara.

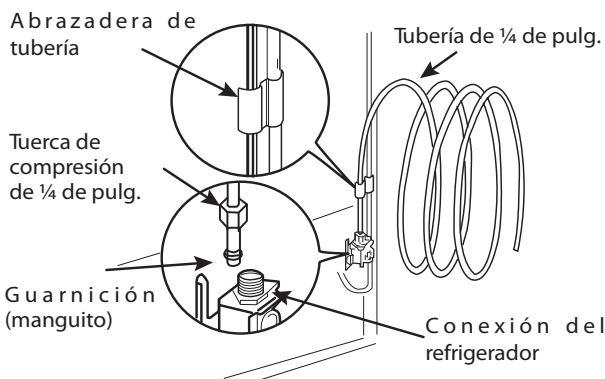
Corte la válvula de agua después de que haya pasado aproximadamente un litro de agua a través de la tubería.



9 CONECTE LA TUBERÍA AL REFRIGERADOR

**NOTA:** Antes de realizar la conexión con el refrigerador, asegúrese de que el cable de alimentación del refrigerador no está enchufado a la toma de corriente.

- a. Retire la tapa de plástico flexible de la válvula de agua.
- b. Coloque la tuerca de compresión y la guarnición (manguito) en el extremo del tubo tal como se muestra en la imagen.
- c. Inserte el extremo de la tubería de cobre en la conexión todo lo que pueda. Mientras sujeta la tubería, apriete el adaptador.



**PRECAUCIÓN**

Compruebe si hay fugas en las conexiones de las tuberías de agua.

11 ENCHUFE EL REFRIGERADOR

Disponga la bobina de tubería de tal manera que no vibre contra la parte posterior del refrigerador ni contra la pared. Empuje el refrigerador hacia la pared.

12 ENCIENDA LA MÁQUINA DE HIELO

Ponga el interruptor de alimentación de la máquina de hielo en la posición ON (Encendido).

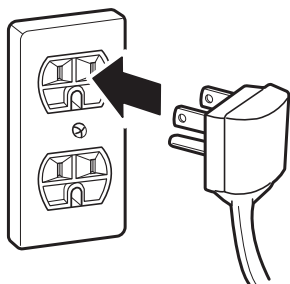
La máquina de hielo no comenzará a funcionar hasta que no alcance su temperatura de funcionamiento de -9 °C (15 °F) o menor. En ese momento, comenzará automáticamente a funcionar si el interruptor de alimentación de la máquina de hielo está en la posición (I).

**ADVERTENCIA**

No utilice mangueras viejas, gastadas o usadas, sólo use nuevas para hacer un mejor uso y lograr un mejor servicio. Conecte sólo al suministro de agua potable para su seguridad y salud.

## Encendido

- 1 Enchufe el refrigerador.



### PRECAUCIÓN

- Conecte a una toma de corriente de potencia nominal.
- Haga que un electricista certificado verifique la toma de corriente y cableado para una conexión a tierra adecuada.
- No dañe ni corte la terminal del enchufe de alimentación con conexión a tierra.

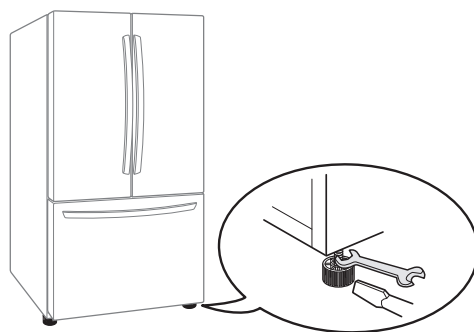
## Nivelación y alineación de las puertas

### Nivelación

Tras la instalación, enchufe el cable de alimentación del refrigerador en una toma de corriente de 3 clavijas con conexión a tierra y empuje el refrigerador hasta su posición definitiva.

Su refrigerador tiene dos patas de nivelación delanteras: uno a la derecha y otro a la izquierda. Ajuste las patas para modificar la inclinación de delante hacia atrás o de lado a lado. Si el refrigerador parece inestable o si desea que las puertas se cierren más fácilmente, ajuste la inclinación del refrigerador mediante las siguientes instrucciones:

- 1 Gire la pata de nivelación hacia la izquierda para levantar ese lado del refrigerador, o hacia la derecha para bajarlo. Es posible que sean necesarios varios giros de la pata de nivelación para ajustar la inclinación del refrigerador.



### NOTA

Una llave de tuerca abocinada funciona mejor, pero bastará con una llave fija. No la apriete en exceso.

- 2 Vuelva a abrir ambas puertas y compruebe que se cierran con facilidad. Si no es así, incline el refrigerador ligeramente hacia atrás girando ambas patas de nivelación hacia la izquierda. Es posible que sean necesarios más giros; debería girar ambas patas de nivelación la misma cantidad de veces.

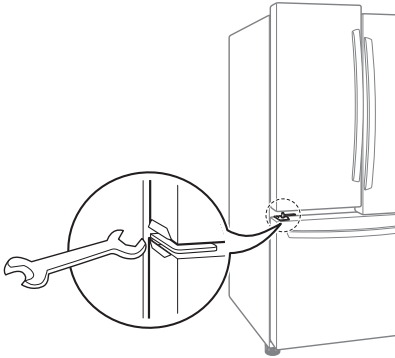
## Alineación de las puertas

Identifique el tipo de alineación de puertas según el accesorio incluido en el manual de usuario.

### Alineación de las puertas (Tipo 1)

Ambas puertas del refrigerador tienen una tuerca ajustable, ubicada en la bisagra inferior, que puede levantar y bajar para alinearlas correctamente. Si el espacio entre las puertas es desigual, siga estas instrucciones para alinear las puertas de forma uniforme:

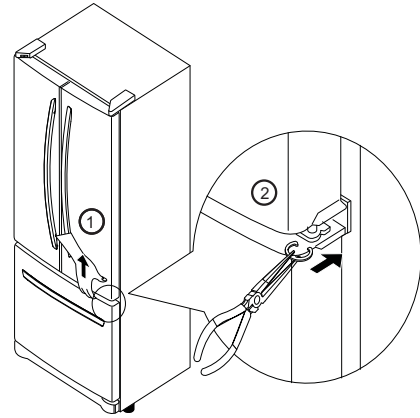
Use la llave (incluida con el Manual del Usuario) para girar la tuerca ubicada en la bisagra de la puerta para ajustar la altura. Gírela hacia la derecha para levantarla y hacia la izquierda para bajarla.



### Alineación de las puertas (Tipo 2)

Si el espacio entre sus puertas es desigual, siga las siguientes instrucciones para la alineación de las puertas:

1. Con una mano, levante la puerta que desea en la bisagra media. Quite la cubierta de la bisagra superior.
2. Con la otra mano, use los alicates para insertar el anillo de retención como se muestra en la figura.
3. Inserte los anillos de retención adicionales hasta que las puertas se alineen (Se suministran 3 anillos de retención por unidad). Si el espacio entre las puertas no está parejo, siga estas instrucciones para alinearlas.



# INSTRUCCIONES DE USO

## Antes de usar



### Limpié el refrigerador.

Limpié bien el refrigerador y quite todo el polvo acumulado durante el transporte.



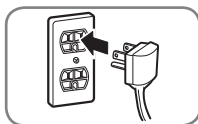
### PRECAUCIÓN

- No raye el refrigerador con un objeto punzante ni utilice un detergente que contenga alcohol, un líquido inflamable o un abrasivo cuando retire cualquier cinta adhesiva o pegamento del mismo.
- No retire la etiqueta de número de modelo ni de serie ni de la información técnica sobre la superficie posterior del refrigerador.



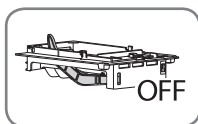
### NOTA

Quite el residuo adhesivo limpiándolo con su dedo pulgar o con detergente de vajilla.



### Conecte el suministro de energía.

Verifique que el suministro de energía esté conectado antes de usar el refrigerador. Consulte la sección "Encendido"



### Apague la máquina de hielo si el refrigerador aún no está conectado al suministro de agua. (Sólo con máquina de hielos instalada).

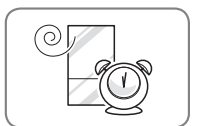
Apague la máquina de hielo automática y luego conecte el enchufe de alimentación del refrigerador a la toma de corriente eléctrica con conexión a tierra.

\* Esto aplica sólo a determinados modelos.



### PRECAUCIÓN

Poner en marcha la máquina de hielo automática antes de conectarla al suministro de agua puede causar que el refrigerador no funcione correctamente.



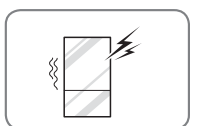
### Espere a que el refrigerador enfríe.

Deje que el refrigerador esté en funcionamiento durante al menos dos o tres horas antes de almacenar alimentos dentro del mismo. Compruebe el flujo de aire frío en el compartimento del congelador para asegurarse de que la refrigeración sea la adecuada.



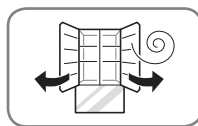
### PRECAUCIÓN

Colocar alimentos en el refrigerador antes de que se haya enfriado podría hacer que se echen a perder los alimentos o que el mal olor permanezca dentro del refrigerador.



### El refrigerador hace un ruido fuerte luego del funcionamiento inicial.

Esto es normal. El ruido irá disminuyendo a medida que disminuya la temperatura.



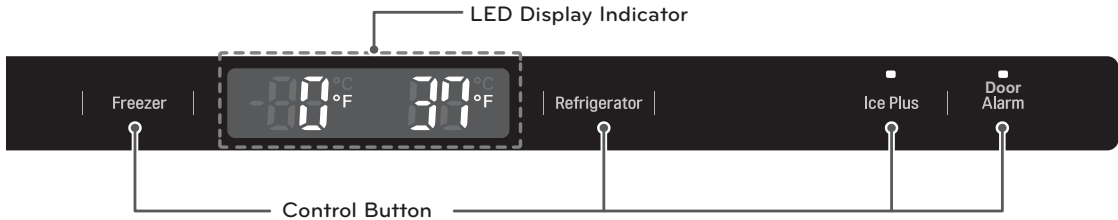
### Abra las puertas del refrigerador y los cajones del congelador para ventilar el interior.

El interior del refrigerador puede oler a plástico al principio. Extraiga cualquier cinta adhesiva del interior del refrigerador y abra las puertas del refrigerador y los cajones del congelador para ventilar.

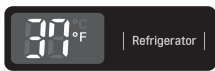
## Panel de control

\* Dependiendo del modelo, algunas de las siguientes funciones puede no estar disponible.

### Funciones del panel de control



#### Temperatura del refrigerador



Indica la temperatura del compartimento del refrigerador en grados Celsius (°C) o Fahrenheit (°F).

Celsius (°C) o Fahrenheit (°F).

#### Temperatura del congelador



Indica la temperatura del compartimento del congelador en grados Celsius (°C) o Fahrenheit (°F).

Celsius (°C) o Fahrenheit (°F).

Para cambiar el modo de temperatura de °F a °C (o viceversa) mantenga presionados simultáneamente los botones de temperatura **Refrigerator** y el de **Freezer** durante un tiempo aproximadamente de cinco segundos. El indicador de temperatura en la pantalla cambiará entre Celsius y Fahrenheit.



#### NOTA

La temperatura mostrada es la temperatura deseada y no la temperatura real del refrigerador. La temperatura real del refrigerador depende de los alimentos dentro del mismo.

#### Ice Plus



Esta función aumenta tanto las capacidades de congelación como las de producción de hielo.

- Cuando se toca el botón **Ice Plus** el símbolo se iluminará en la pantalla y continuará encendido durante 24 horas. De forma automática, se apagará cuando transcurran 24 horas.
- Para detener esta función manualmente, vuelva a tocar el botón otra vez.

#### Alarma de la puerta



Cuando se conecta el refrigerador a la corriente, la alarma de la puerta está inicialmente activada (ON). Si pulsa el botón **Door Alarm** (Alarma de la puerta), la pantalla cambiará a OFF y la función de alarma de la puerta se desactivará.

- Si la puerta del refrigerador o del congelador se deja abierta durante más de 60 segundos, sonará el tono de la alarma para avisarle de que la puerta está abierta.
- Cuando se cierre la puerta, la alarma de la puerta dejará de sonar.



#### PRECAUCIÓN

Display Mode (modo exposición) (sólo para uso en tienda) El Display Mode desactiva toda la refrigeración en las secciones del refrigerador y del congelador para ahorrar energía mientras el electrodoméstico se encuentra en exposición en una tienda. Cuando este modo está activado, OFF aparecerá en el panel de control y la pantalla permanecerá encendida durante 20 segundos.

Para activar / desactivar:

Con la puerta del refrigerador abierta, mantenga presionados los botones **Refrigerator** y **Ultra Ice** al mismo tiempo durante cinco segundos. El panel de control pitará y aparecerán los ajustes de temperatura para confirmar que se ha desactivado el modo exposición. Use el mismo procedimiento para activar el modo exposición.

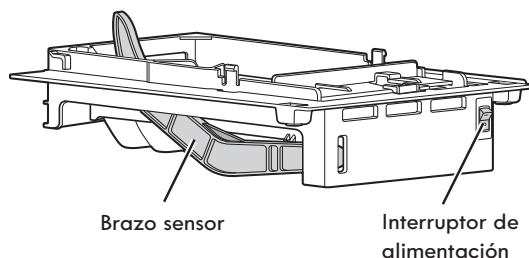
## Máquina de hielo automática (Compartimento del congelador)

(Sólo con máquina de hielos instalada)

\* Dependiendo del modelo, algunas de las siguientes funciones puede no estar disponible.

El hielo se fabrica en la máquina de hielo automática y se envía al dispensador. La máquina de hielo puede fabricar 12 cubitos por cada ciclo (aproximadamente 120 cubitos en un período de 24 horas), en función de la temperatura del compartimento del congelador, la temperatura ambiente, el número de puertas abiertas y otras condiciones de funcionamiento.

- Un refrigerador recién instalado tardará entre 12 y 24 horas en empezar a producir hielo.
- La presión del agua debe estar entre los 20 y los 120 psi (0,14 y 0,82 MPa) en los modelos sin filtro de agua, y entre los 40 y 120 psi (0,28 y 0,82 MPa) en los modelos con filtro de agua, para fabricar cubitos de hielo en la cantidad y tamaño normales.
- La presencia de sustancias extrañas o de escarcha en el sensor de detección de hielo pueden interrumpir la producción de hielo. Asegúrese de que el área del sensor esté siempre limpia para que el funcionamiento sea correcto.



### Encendido y apagado de la máquina de hielo automática

Para apagar la máquina de hielo automática, ponga el interruptor de la máquina en posición **OFF (O)**. Para encender la máquina de hielo automática, ponga el interruptor en posición **ON (I)**.

## Máquina de hielo automática (continuación)



### PRECAUCIÓN

- La primera tanda de hielo podría incluir partículas u olor procedente del conducto de suministro de agua o del depósito de agua.
- Deseche las primeras tandas de hielo (aproximadamente 24 cubitos). Esto también es necesario si el refrigerador no se usa durante un largo período de tiempo.
- Nunca almacene latas de bebidas u otros artículos en el depósito de hielo con el propósito de que se enfríen rápidamente. Si lo hace, podría dañar la máquina de hielo o los contenedores podrían estallar.
- Si se dispensa hielo manchado, compruebe el filtro y el suministro de agua. Si el problema persiste, póngase en contacto con un centro de servicios calificado. No consuma el hielo ni el agua hasta que se resuelva el problema.
- Asegúrese de que nada interfiera con el movimiento del brazo de apagado automático.
- Es normal que algunos cubitos de hielo se atasquen.
- Si el hielo no se usa con frecuencia, los cubitos de hielo viejos se nublarán, desarrollarán mal olor y se encogerán.
- Nunca use vasos de cristal fino o recipientes de loza para recoger hielo. Ese tipo de contenedores podrían descascarillarse o romperse, y podrían caer fragmentos de cristal al hielo.

## Cuándo se debe apagar la máquina de hielo

- Cuando el suministro de agua vaya a estar interrumpido durante varias horas.
- Cuando se retire el depósito de hielo durante más de uno o dos minutos.
- Cuando no se vaya a usar el refrigerador durante varios días.



### NOTA

Se debe vaciar el depósito de hielo cuando el interruptor de on/off (encendido/apagado) de la máquina de hielo cambie a la posición OFF.

## Sonidos normales que se pueden escuchar

- La válvula de agua de la máquina de hielo emite un zumbido cuando la máquina se llena de agua. Si el interruptor de alimentación está en posición **ON (I)**, emitirá un zumbido incluso aunque aún no se haya conectado al agua. Para detener el zumbido, mueva el interruptor de alimentación a la posición **OFF (O)**.



### NOTA

Mantener el interruptor de alimentación en posición **ON (I)** antes de conectar el conducto de agua podría dañar la máquina de hielo.

- Oirá el sonido de los cubitos de hielo al caer en el depósito y el agua corriendo por las tuberías cuando se rellena la máquina de hielo.

## Preparación para las vacaciones

Ponga el interruptor de la máquina de hielo en posición **OFF (O)** y corte el suministro de agua al refrigerador.



### NOTA

Se debe vaciar el depósito de hielo siempre que el interruptor de encendido/apagado de la máquina de hielo cambie a la posición **OFF (O)**.

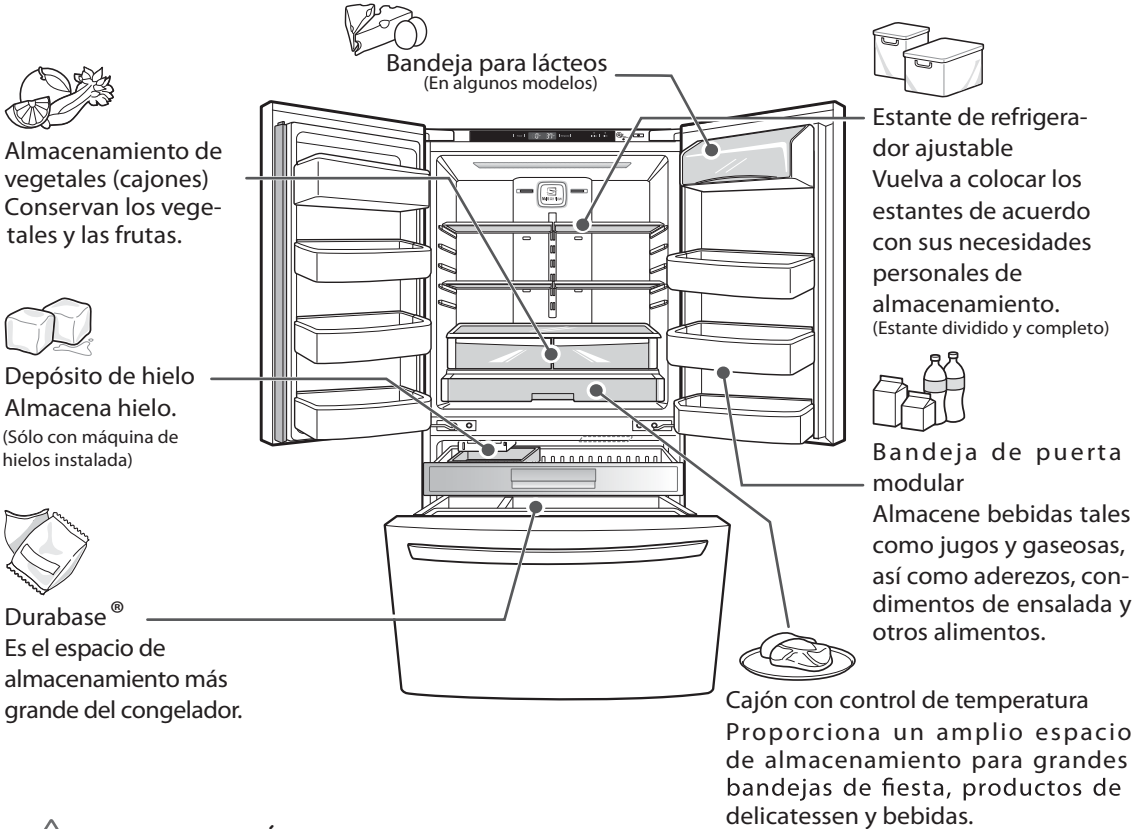
Si la temperatura ambiente cae por debajo del punto de congelación, póngase en contacto con un técnico calificado para que purgue el sistema de suministro de agua para evitar graves daños materiales debidos a las inundaciones provocadas por la rotura de las tuberías o conexiones de agua.

## Almacenamiento de alimentos

### Lugar de conservación de los alimentos

Cada compartimento del refrigerador está diseñado para almacenar diferentes tipos de alimentos.

Almacene sus alimentos en el espacio óptimo para disfrutar de los sabores más frescos.



### PRECAUCIÓN

- No almacene alimentos con alto contenido de humedad en la parte superior del refrigerador. La humedad podría entrar en contacto directo con el aire frío y congelarse.
- Lave los alimentos antes de guardarlos en el refrigerador. Si es necesario enjuague y frote a fondo las verduras secas y frutas para eliminar la suciedad como jugo o áreas manchadas, además limpiar el envasado de alimentos para evitar que los demás alimentos se contaminen.
- Si el refrigerador se encuentra en un lugar húmedo y de mucho calor, abrir la puerta constantemente o almacenar muchos vegetales en el refrigerador puede dar lugar a condensación. Limpie la condensación con un paño limpio o una toalla de papel.
- Si la puerta del refrigerador o el cajón del congelador se abre demasiadas veces, el aire caliente puede entrar en el refrigerador y subir su temperatura. Esto puede aumentar los costos de funcionamiento del aparato.



### NOTA

- Si va a abandonar su hogar por un período corto de tiempo, como unas pequeñas vacaciones, el refrigerador debe quedar encendido. Los alimentos refrigerados que se pueden congelar se preservarán por más tiempo si se almacenan en el congelador.
- Si va a dejar el refrigerador apagado durante un período de tiempo prolongado, retire todos los alimentos y desenchufe el cable de alimentación. Limpie el interior, y deje la puerta abierta para evitar la aparición de hongos en el refrigerador.



## Sugerencias para el almacenamiento de alimentos

\* Las siguientes sugerencias podrían no ser de aplicación en su caso dependiendo del modelo del refrigerador.

Envuelva o almacene los alimentos en el refrigerador dentro de materiales herméticos y antihumedad, a menos que se indique lo contrario. Esto evitará que el olor y sabor de los alimentos se transfiera por todo el refrigerador. Para productos con fecha de caducidad, verifique el código de fecha para garantizar la frescura.

Alimento	Cómo
Mantequilla o margarina	Conserve la mantequilla abierta en un plato cubierto o en un compartimento cerrado. Cuando almacene una cantidad extra, envuélvala en una bolsa para congelar y congélela.
Queso	Almacene en el envoltorio original hasta que esté listo para consumirlo. Una vez abierto, vuelva a envolverlo herméticamente en un envoltorio plástico ó en papel de aluminio.
Leche	Limpie los cartones de leche. Para que la leche se conserve más fría, coloque el envase en un estante interior.
Huevos	Almacénelos en el cartón original en un estante interior, no en un estante de la puerta.
Fruta	No lave ni pele la fruta hasta justo antes de su consumo. Organice y mantenga la fruta en su contenedor original, en el cajón para la verdura, o almacénela en una bolsa de papel completamente cerrada en un estante del refrigerador.
Verduras de hoja	Retire el envoltorio comercial y corte ó arranque las zonas mallugadas o decoloradas. Lave en agua fría y deje escurrir. Colóquela en una bolsa o un contenedor de plástico, y almacénela en el cajón para verduras.
Verduras con piel (zanahorias, pimientos)	Colóquelos en una bolsa ó un contenedor de plástico, y almacénelos en el cajón para verduras.
Pescado	Almacene el pescado y marisco fresco en la sección del congelador si no los va a consumir el mismo día que los compró. Se recomienda consumir el pescado y el marisco fresco el mismo día de su adquisición.
Sobras	Cubra las sobras con un envoltorio plástico, papel de aluminio ó dentro de contenedores de plástico con tapas herméticas.

## Almacenamiento de alimentos congelados



### NOTA

Consulte una guía de congelación ó un libro de cocina confiable para obtener más información sobre la forma de preparar los alimentos para su congelación ó sobre los tiempos de almacenamiento de los alimentos congelados.

### Congelación

El congelador no congelará rápidamente una gran cantidad de alimentos. No coloque más alimentos sin congelar en el congelador de los que puedan congelarse en 24 horas, no más de 1 ó 1,5 kg (2,20 ó 3,31 lbs.) de alimento por cada 30 litros (1,06 cuft) de espacio en el congelador. Deje suficiente espacio para que el aire pueda circular entre los paquetes. Tenga cuidado de dejar suficiente espacio en la parte delantera para que se pueda cerrar la puerta herméticamente.

Los tiempos de almacenamiento variarán en función de la calidad y el tipo de alimento, el tipo de envase ó envoltorio utilizado (si son herméticos y antihumedad) y la temperatura de almacenamiento. La aparición de cristales de hielo dentro de un paquete sellado es normal. Esto sólo significa que la humedad del alimento y del aire del interior del paquete se ha condensado, creando cristales de hielo.



### NOTA

Deje que los alimentos calientes se enfríen a temperatura ambiente durante 30 minutos y, después, empaquételos y congélelos. Enfriar alimentos calientes antes de congelarlos ahorra energía.

## Almacenamiento de alimentos congelados (continuación)

### Empaquetamiento

Una congelación correcta depende de un empaquetamiento adecuado. Cuando se cierra y sella el paquete, no debe dejar que entre ni salga aire ni humedad. Si eso sucede, es posible que el olor y el sabor de los alimentos se transfieran por todo el refrigerador y también se podrían resecar los alimentos congelados.

### Recomendaciones de empaquetamiento:

- Contenedores de plástico rígido con tapas herméticas
- Tarros de congelación / enlatado con lados rectos
- Papel de aluminio grueso
- Papel con revestimiento plástico
- Envoltorios plásticos no permeables
- Bolsas de plástico con autosellado y calidad específica apta para congelador

Siga las instrucciones del contenedor o paquete para métodos de congelación adecuados.

### No usar

- Envoltorios de pan
- Contenedores de plástico que no sean de polietileno
- Contenedores sin tapas herméticas
- Papel de cera o envoltorios para congelador revestidos de cera
- Envoltorio fino y semipermeable

## Cajón con control de humedad y Glide'N'Serve

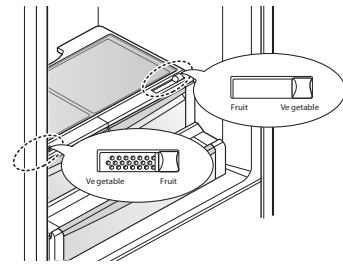
### Cajón con control de humedad

\* Dependiendo del modelo, algunas de las siguientes funciones puede no estar disponible.

Los cajones para verduras mantienen el sabor y la frescura de la fruta y la verdura al permitir controlar fácilmente la humedad dentro del cajón.

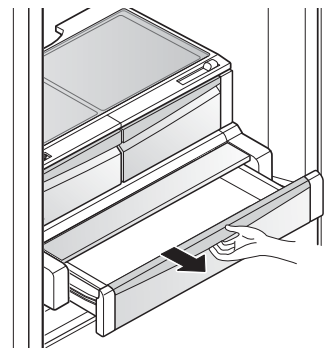
Para controlar el nivel de humedad en los cajones para verduras con sellado antihumedad, ajuste el control en cualquier posición entre Vegetable y Fruit.

- **Vegetable** mantiene el aire húmedo en el cajón para un mejor almacenamiento de las verduras frescas de hoja.
- **Fruit** mantiene el aire húmedo fuera del cajón para un mejor almacenamiento de la fruta.



### Glide'N'Serve

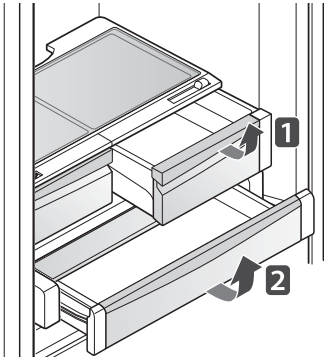
Este cajón se puede usar para grandes bandejas de fiesta, artículos embutidos y bebidas. (Este cajón no se debe usar para verduras que requieran un alto nivel de humedad).



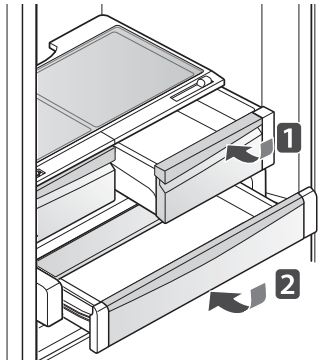
## Montaje y desmontaje de los depósitos de almacenamiento

### Glide'N'Serve y Cajón para verduras con control de humedad

Para retirar el cajón para fruta y verdura fresca de humedad controlada y el Glide'N'Serve, tire del cajón **1** y del Glide'N'Serve **2** hasta el tope, levante el frente, y extraígalo.

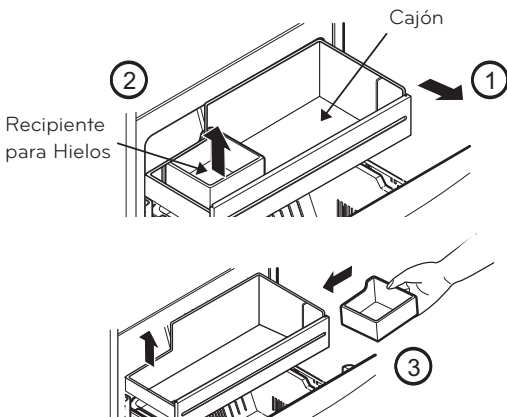


Para volver a colocarlo, incline la parte delantera ligeramente hacia arriba, inserte el cajón en el marco y empuje hasta que encaje en su sitio.



### RECIPIENTE PARA HIELOS (en algunos modelos)

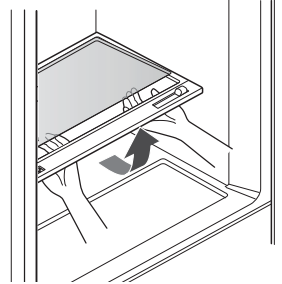
- Jale el cajón tanto como sea posible (1).
- Levante y extraiga con cuidado el recipiente para hielo (2).
- Extraiga el cajón tanto como sea posible y coloque el recipiente de hielo en la posición correcta (3).



### Para quitar el vidrio

(No se muestra Glide'N'Serve para mayor calidad de imagen.)

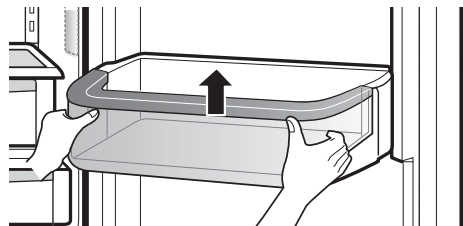
Levante el vidrio que está debajo de la cubierta del cajón, y tire del mismo hacia arriba y hacia afuera.



### Bandejas de puerta

Las bandejas de puerta son extraíbles para facilitar su limpieza y ajuste.

- 1 Para desmontar la bandeja, simplemente levántela y tire de ella hacia afuera.
- 2 Para volver a colocar la bandeja, deslícela por encima del soporte deseado y empuje hacia abajo hasta que encaje en su sitio.



### ! NOTA

Algunas bandejas tienen una apariencia diferente y sólo encajarán en una ubicación.

### ! PRECAUCIÓN

- No aplique fuerza excesiva al separar o desmontar los contenedores de almacenamiento.
- No use el lavavajillas para limpiar los contenedores de almacenamiento ni los estantes.
- Regularmente remueva y lave los recipientes de almacenamiento y los estantes; se pueden contaminar fácilmente con la comida.

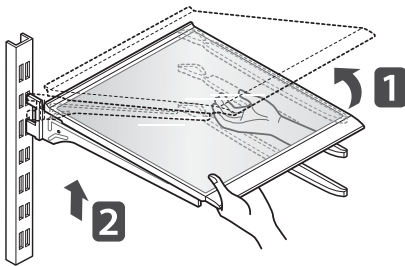
## Ajuste de los estantes del refrigerador

Los estantes del refrigerador son ajustables para satisfacer sus necesidades personales de almacenamiento. Dependiendo del modelo, los estantes pueden tener variaciones.

Organizar los estantes para que se ajusten a las diferentes alturas de los artículos hará que le resulte más fácil encontrar lo que busca. Con ello también reducirá el tiempo que permanece la puerta del refrigerador abierta y ahorrará energía.

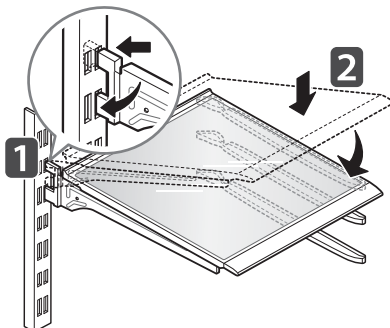
### Desmontaje del estante (Estante dividido)

Incline hacia arriba la parte delantera del estante y levántelo. Saque el estante.



### Montaje del estante (Estante dividido)

Incline la parte delantera del estante hacia arriba y guíe los ganchos del estante al interior de las ranuras a la altura deseada. A continuación, baje la parte delantera del estante de manera que los ganchos caigan en las ranuras.



### PRECAUCIÓN

Asegúrese de que los estantes tienen ambos lados nivelados. De lo contrario, podría caerse el estante o derramarse los alimentos.

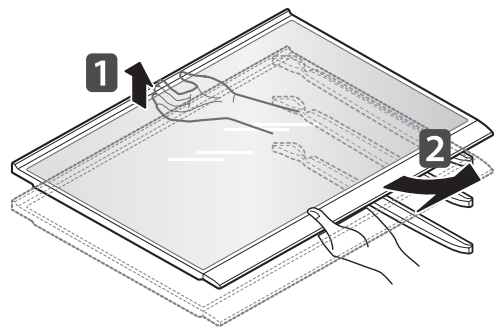


### PRECAUCIÓN

- No limpie los estantes de vidrio con agua templada mientras aún están fríos. Los estantes podrían romperse si se ven expuestos a cambios repentinos de temperatura o a impactos.
- Los estantes de vidrio son pesados. Tenga especial cuidado al momento de retirarlos.

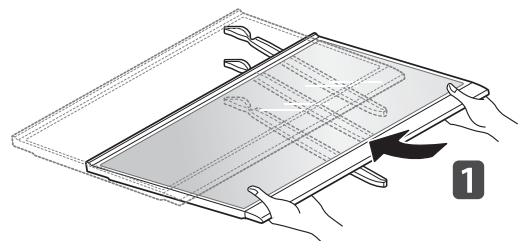
### Cómo desmontar el estante completo

Levante la parte trasera del estante y extráigalo.



### Colocación del estante completo

Deslice el estante en las guías hasta que haga tope.



# MANTENIMIENTO

## Limpieza

- Tanto las secciones refrigerador como congelador se descongelan de forma automática; sin embargo, se recomienda limpiar ambas secciones una vez al mes para evitar la aparición de olores.
- Seque los derrames inmediatamente.
- Siempre desenchufe el refrigerador antes de limpiarlo.

### Sugerencias generales de limpieza

- Desenchufe el refrigerador o desconecte la alimentación.
- Retire todos los componentes extraíbles, como estantes, cajones, etc.
- Use una esponja limpia o un trapo suave, junto con un detergente suave en agua templada. No utilice limpiadores abrasivos o agresivos.
- Lave a mano, enjuague y seque todas las superficies a fondo.

### Exterior

Para productos con un exterior en acero inoxidable, use una esponja limpia que no genere rayones o un trapo suave, junto con un detergente suave en agua tibia. No utilice limpiadores abrasivos o muy fuertes. Seque a fondo con un trapo suave.



#### PRECAUCIÓN

- No use una esponja o paño áspero al limpiar el interior y el exterior del refrigerador.
- No coloque su mano sobre la superficie inferior del refrigerador al abrir y cerrarlo.



#### ADVERTENCIA

Use un limpiador no inflamable. Si no se cumple con esto se podrá producir una explosión, incendio o muerte.



#### ADVERTENCIA

En caso de reemplazo, la nueva lámpara debe ser de la misma especificación que el original.

### Paredes interiores (deje que el congelador se caliente para que el trapo no se quede pegado)

Para ayudarle a eliminar los olores, puede lavar el interior del refrigerador con una mezcla de bicarbonato sódico y agua templada. Mezcle 2 cucharadas soperas de bicarbonato sódico (unos 26 g) en 1 litro de agua (un cuarto de galón). Asegúrese de que el bicarbonato sódico esté completamente disuelto para que no raye las superficies del refrigerador.

### Revestimiento de las puertas y juntas

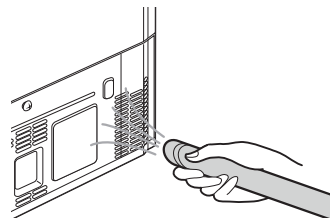
Use una esponja limpia o un trapo suave, junto con un detergente suave en agua templada. No utilice ceras de limpieza, detergentes concentrados, blanqueadores ni limpiadores que contengan petróleo en las piezas del refrigerador que son de plástico.

### Piezas de plástico (tapas y paneles)

Use una esponja limpia o un trapo suave, junto con un detergente suave en agua templada. No utilice sprays para ventanas, limpiadores abrasivos ni líquidos inflamables, ya que pueden arañar o dañar el material.

### Bobinas del condensador

Use una aspiradora con boquilla para limpiar la cubierta del condensador y las ventilaciones. No quite el panel que cubre el área de la bobina del condensador.





### Cambio de luz (LED)

Nota: No remueva el LED, sólo debe ser removido por un técnico calificado.

# FUNCIONES SMART

## Aplicación LG ThinQ

Esta función está solo disponible en los modelos con el logo  o .

La aplicación LG ThinQ le permite comunicarse con el aparato usando un teléfono inteligente.

### Características de la aplicación LG ThinQ

Comuníquese con el aparato desde un teléfono inteligente utilizando las cómodas funciones inteligentes.

#### Smart Diagnosis

- Si sufre algún problema mientras usa la aplicación, esta función smart diagnosis le ayudará a diagnosticar el problema.



#### NOTA



- El aparato podría verse modificado para realizar mejoras en él sin previo aviso a los usuarios.
- Las funciones pueden variar según el modelo.

### Instalación de la aplicación LG ThinQ

Busque la aplicación LG ThinQ en Google Play Store o Apple App Store en un smartphone.

- Siga las instrucciones para descargar e instalar la aplicación.
- Ejecute la aplicación LG ThinQ y siga las instrucciones de la aplicación para registrar el aparato

### Smart Diagnosis

Esta función está solo disponible en los modelos con el logo  o .

Use esta función para ayudarle a diagnosticar y solucionar problemas de su aparato.



#### NOTA

- Por motivos no atribuibles a negligencias de LGE, el servicio podría no funcionar debido a factores externos como, entre otros, no disponibilidad de red Wi-Fi, desconexión de la red Wi-Fi, política local de la tienda de apps, o no disponibilidad de la app.
- La función podría estar sujeta a cambios sin previo aviso y podría presentar una forma diferente dependiendo de dónde se encuentre usted situado.

### Uso de diagnóstico audible para diagnosticar problemas

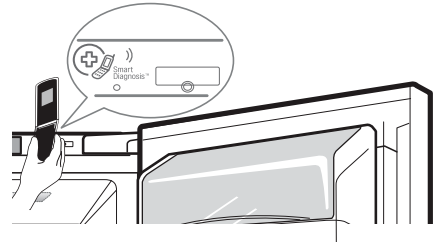
Siga las instrucciones a continuación para usar el método de diagnóstico audible.

- Ejecute la aplicación **LG ThinQ** y seleccione la función Smart Diagnosis en el menú. Siga las instrucciones para diagnóstico audible que se proporcionan en la aplicación **LG ThinQ**.

- 1 Abra las puertas del refrigerador.
- 2 Pulse y mantenga presionado el botón **Freezer** durante 3 segundos o más tiempo.
  - El panel de control se apagará, y luego se mostrará '3' en la parte de la pantalla de la temperatura del refrigerador



- 3 Sostenga el teléfono junto al agujero del altavoz superior derecho.



- 4 Después de que la transferencia de datos haya finalizado, el diagnóstico se mostrará en la aplicación.
- 5 Mantenga el teléfono en su sitio hasta que haya terminado la transmisión de tonos. La pantalla mostrará el recuento de tiempo. Una vez que haya finalizado el recuento de tiempo y los tonos se hayan detenido, aparecerá el diagnóstico en la aplicación.



#### NOTA

- Para obtener los mejores resultados posibles, no mueva el teléfono mientras los tonos se están transmitiendo.

# SOLUCIÓN DE PROBLEMAS

Consulte la sección Solución de problemas antes de llamar al centro de servicios; hacerlo le hará ahorrar tiempo y dinero.

Problema	Causas posibles	Soluciones
El refrigerador y la sección del congelador no están refrigerando.	Un fusible en su casa pudo dañarse o el interruptor termomagnético se encuentra activado o el aparato está conectado a una toma de corriente GFCI (Interruptor de circuito de falla de tierra) y este se ha activado.	Revise su centro carga y reemplace el fusible o reinicie el interruptor termomagnético. No aumente la capacidad del fusible. Si el problema es una sobrecarga de circuito, debe ser reparado por un electricista calificado. Reinicie el interruptor GFCI. Si el problema persiste, póngase en contacto con un electricista calificado.
	El control del refrigerador está en posición OFF (apagado) (algunos modelos).	Ponga el control en posición ON (encendido). Consulte la sección de Ajuste de los controles para ver los ajustes de temperatura apropiados.
	El refrigerador está en el ciclo de descongelamiento.	Durante el ciclo de descongelamiento, es posible que la temperatura de cada compartimento suba un poco. Espere 30 minutos y compruebe que se haya restaurado la temperatura apropiada una vez completo el ciclo de descongelamiento.
	El refrigerador se instaló recientemente.	Puede tomar hasta 24 horas para que cada compartimento alcance la temperatura deseada.
	El refrigerador se cambió de lugar recientemente.	Si el refrigerador estuvo almacenado durante mucho tiempo o se movió sobre su costado, es necesario que el refrigerador esté en posición vertical durante 24 horas antes de conectarlo a una fuente de energía.
El sistema de refrigeración funciona demasiado tiempo.	El refrigerador está reemplazando un modelo anterior.	Los refrigeradores modernos requieren tiempo de operación pero usan menos energía debido a que existe tecnología más eficiente.
	El refrigerador se enchufó recientemente o se restauró la energía hace poco.	Tomará hasta 24 horas para que el refrigerador se enfríe completamente.
	Se abrió la puerta a menudo o se agregó una gran cantidad de alimentos / comida caliente.	Agregar comida y abrir la puerta aumenta la temperatura del refrigerador, lo que obliga al compresor a funcionar durante más tiempo para poder volver a enfriar el refrigerador. Para ahorrar energía, intente sacar todo lo que necesite del refrigerador de una sola vez, mantenga los alimentos organizados para que resulte fácil encontrarlos y cierre la puerta en cuanto haya sacado los alimentos. (Consulte la Guía para el almacenamiento de alimentos).
	Las puertas no están cerradas del todo.	Empuje las puertas firmemente para cerrarlas. Si no se cierran del todo, consulte la sección Las puertas no se cierran completamente o se abren en la Guía para la solución de problemas.
	El refrigerador está instalado en un lugar caluroso.	El compresor funcionará durante más tiempo en condiciones calurosas. A temperaturas ambiente normales (21°C/70°F), el compresor debería funcionar entre el 40% y el 80% del tiempo. En condiciones más calurosas, sería esperable que funcionara aún más a menudo. No se debe operar el refrigerador a temperaturas que superen los 43°C (110°F)
	El condensador / la cubierta trasera está tapada.	Use una aspiradora con boquilla para limpiar la cubierta del condensador y las ventilaciones. No quite el panel que cubre el área de la bobina del condensador.

Problema	Causas posibles	Soluciones
La sección de refrigerador o congelador está demasiado cálida.	El refrigerador se instaló recientemente.	Puede tomar hasta 24 horas para que cada compartimento alcance la temperatura deseada.
	Las ventilaciones de aire están bloqueadas. Circula aire frío desde el congelador hasta la sección de alimentos frescos y de vuelta, por las ventilaciones de aire que hay en la pared que dividen las dos secciones.	Localice las ventilaciones de aire usando su mano para sentir el flujo de aire y mueva todos los envases que bloqueen las ventilaciones y restrinjan el flujo de aire. Reordene los artículos para permitir que el aire circule por el compartimento. (Consulte el diagrama de Flujo de aire en la sección Uso del refrigerador).
	Las puertas se abren a menudo o durante mucho tiempo.	Cuando las puertas se abren a menudo o durante mucho tiempo, el aire cálido y húmedo ingresa en el compartimento. Esto aumenta la temperatura y el nivel de humedad dentro del compartimento. Para disminuir el efecto, reduzca la frecuencia y duración de la apertura de las puertas.
	La unidad está instalada en un lugar cálido.	No se debe operar el refrigerador a temperaturas por encima de los 43°C (110°F).
	Se agregó gran cantidad de alimentos o alimentos calientes a cualquiera de los compartimentos.	Agregar alimentos calientes al compartimento, lo que lleva a que sea necesario que opere el sistema de refrigeración. Permitir que los alimentos calientes se enfrien hasta estar a temperatura ambiente antes de guardarlos en el refrigerador reducirá este efecto.
	Las puertas no están correctamente cerradas.	Consulte la sección Las puertas no se cierran correctamente o se abren en la Guía para la solución de problemas de componentes y funciones.
	El control de temperatura no está en la configuración correcta.	Si la temperatura es demasiado cálida, ajuste el control de a un incremento y espere a que se establezca la temperatura. Consulte la sección Ajuste de los controles para obtener más información.
La sección de refrigerador o congelador está demasiado fría.	El ciclo de descongelamiento se completó recientemente.	Durante el ciclo de descongelamiento, es posible que la temperatura de cada compartimento aumente levemente y que se forme condensación en la pared trasera. Espere 30 minutos y compruebe que se haya restaurado la temperatura apropiada una vez completo el ciclo de descongelamiento.
	Configuración incorrecta del control de temperatura.	Si la temperatura es demasiado fría, ajuste el control de a un incremento y espere a que se establezca la temperatura. Consulte la sección Ajuste de los controles para obtener más información.



Problema	Causas posibles	Soluciones
Acumulación de humedad en el interior.	Las puertas se abren a menudo o durante mucho tiempo.	Cuando las puertas se abren a menudo o durante mucho tiempo, el aire cálido y húmedo ingresa en el compartimento. Esto aumenta la temperatura y el nivel de humedad dentro del compartimento. Para disminuir el efecto, reduzca la frecuencia y duración de la apertura de las puertas.
	Las puertas no están correctamente cerradas.	Consulte la sección Las puertas no se cierran correctamente en la Guía para la solución de problemas.
	El clima es húmedo.	El clima húmedo permite que ingrese humedad adicional en los compartimentos cuando se abren las puertas, lo que resulta en condensación o escarcha. Mantener un nivel razonable de humedad en el hogar ayudará a controlar la cantidad de humedad que puede ingresar en los compartimentos.
	El ciclo de descongelamiento se completó recientemente.	Durante el ciclo de descongelamiento, es posible que la temperatura de cada compartimento aumente levemente y que se forme condensación en la pared trasera. Espere 30 minutos y compruebe que se haya restaurado la temperatura apropiada una vez completo el ciclo de descongelamiento.
	Los alimentos no están correctamente envasados.	Los alimentos que se guardan sin tapar o envolver y los contenedores húmedos pueden resultar en la acumulación de humedad en cada compartimento. Seque todos los contenedores con un trapo y guarde los alimentos en envases sellados para evitar que se forme condensación y escarcha.
Los alimentos se están congelando en el compartimento del refrigerador.	Se ubicaron alimentos con alto contenido de agua cerca de una ventilación de aire.	Reordene los artículos de manera que aquellos que tienen alto contenido de agua estén lejos de las ventilaciones de aire.
	El control de temperatura del refrigerador está mal configurado.	Si la temperatura es demasiado fría, ajuste el control de a un incremento y espere a que se establezca la temperatura. Consulte la sección Ajuste de los controles para obtener más información.
	El refrigerador está instalado en un lugar frío.	Cuando el refrigerador opera a temperaturas por debajo de los 5°C (41°F), los alimentos se pueden congelar en el compartimento del refrigerador. No se debe operar el refrigerador a temperaturas por debajo de los 13°C (55°F).
Se forma escarcha o cristales de hielo sobre los alimentos congelados (fuera del envase).	Las puertas se abren a menudo o durante mucho tiempo.	Cuando las puertas se abren a menudo o durante mucho tiempo, el aire cálido y húmedo ingresa en el compartimento. Esto aumenta la temperatura y el nivel de humedad dentro del compartimento. Una mayor humedad resultará en escarcha y condensación. Para disminuir el efecto, reduzca la frecuencia y duración de la apertura de las puertas.
	La puerta no se cierra bien.	Consulte la sección Las puertas no se cierran correctamente o se abren en la Guía para la solución de problemas.

Problema	Causas posibles	Soluciones
Se forma escarcha o cristales de hielo sobre los alimentos congelados (dentro del envase sellado).	La condensación de los alimentos con alto contenido de agua se congeló dentro del envase.	Esto es normal para aquellos alimentos que tienen alto contenido de agua.
	El alimento ha estado en el congelador durante mucho tiempo.	No almacene alimentos con alto contenido de agua en el congelador durante largos períodos de tiempo.
La máquina de hielo no hace suficiente hielo. (Sólo con máquina de hielos instalada).	La demanda excede la capacidad de almacenamiento de hielo.	La máquina de hielo producirá aproximadamente entre 70 y 210 cubitos en un periodo de 24 horas.
	No está conectado el suministro de agua del hogar, la llave de paso no está completamente abierta, o la válvula está tapada.	Conecte el refrigerador a un suministro de agua fría con presión adecuada y abra del todo la llave de paso de agua. Si el problema persiste, es posible que sea necesario contactar a un plomero.
	Se agotó el filtro de agua.	Se recomienda reemplazar el filtro de agua: <ul style="list-style-type: none"> <li>• Aproximadamente cada seis meses.</li> <li>• Cuando se enciende el indicador del filtro de agua.</li> <li>• Cuando disminuye la salida de agua del expendedor de agua.</li> <li>• Cuando los cubitos de hielo son más pequeños de lo habitual.</li> </ul>
	Baja presión del suministro de agua del hogar.	La presión del agua debe estar entre los 20 y los 120 psi (0,14 y 0,82 MPa) en modelos sin filtro de agua, y entre los 40 y 120 psi (0,28 y 0,82 MPa) en modelos con filtro de agua. Si el problema persiste, puede ser necesario contactar a un plomero.
	Se está usando un sistema de filtración por ósmosis inversa.	Los sistemas de filtración por ósmosis inversa pueden reducir la presión de agua por debajo del mínimo y provocar problemas en la máquina de hielo. (Consulte la sección Presión del agua).
	El tramo de tubería que conecta el refrigerador a la válvula de suministro del hogar está doblado.	La tubería se puede doblar cuando se mueve el refrigerador durante la instalación o limpieza, lo que resulta en una disminución del flujo de agua. Enderece o repare la línea de suministro de agua y acomódelo de manera que se eviten dobleces en el futuro.
	Las puertas se abren a menudo o durante mucho tiempo.	Si las puertas de la unidad se abren a menudo, el aire del ambiente calentará el refrigerador, lo que evitará que la unidad mantenga la temperatura fijada. Disminuir la temperatura del refrigerador, así como no abrir las puertas con tanta frecuencia, puede ser de ayuda.
	Las puertas no están cerradas del todo.	Si las puertas no se cierran correctamente, la producción de hielo se verá afectada. Consulte la sección Las puertas no se cierran correctamente o se abren en la Guía para la solución de problemas de componentes y funciones para obtener más información.
	El ajuste de temperatura del congelador es demasiado cálido.	La temperatura recomendada para el compartimento del congelador para una producción normal de hielo es de $-18^{\circ}\text{C}$ ( $0^{\circ}\text{F}$ ). Si la temperatura del congelador es superior, la producción de hielo se verá afectada.

Problema	Causas posibles	Soluciones
La máquina de hielo no hace suficiente hielo (continuación). (Sólo con máquina de hielos instalada).	El refrigerador se instaló recientemente o la máquina de hielo se conectó recientemente.	Puede tomar hasta 24 horas para que cada compartimento alcance la temperatura deseada y para que la máquina de hielo comience a hacer hielo.
	La máquina de hielo no está encendida.	Ubique el interruptor de encendido/apagado (ON/OFF) de la máquina de hielo para comprobar que está en posición de encendido (I).
	El sensor de detección de hielo está obstruido.	La presencia de sustancias extrañas o de escarcha en el sensor de detección de hielo pueden interrumpir la producción de hielo. Asegúrese de que el área del sensor esta limpia en todo momento para una operación normal.
	El refrigerador no está conectado a un suministro de agua o la válvula de corte del suministro no está abierta.	Conecte el refrigerador al suministro de agua y abra completamente la válvula de corte de agua.
	El sensor o brazo de interrupción de la máquina de hielo está obstruido.	Si su máquina de hielo está equipada con un brazo de interrupción de hielo, asegúrese de que el brazo se pueda mover libremente. Si su máquina de hielo está equipada con un sensor electrónico de interrupción del hielo, asegúrese de que haya una vía libre entre ambos sensores.
	Hay un sistema de filtración por ósmosis inversa conectado a su suministro de agua fría.	Los sistemas de filtración por ósmosis inversa pueden reducir la presión de agua por debajo del mínimo y provocar problemas en la máquina de hielo. (Consultar la sección de Presión del agua .)
El hielo huele o sabe mal. (Sólo con máquina de hielos instalada).	El suministro de agua contiene minerales como el azufre.	Es posible que sea necesario instalar un filtro de agua para eliminar los problemas de sabor y olor. NOTA: En algunos casos, es posible que el filtro no sea de ayuda. Puede que no sea posible eliminar todos los minerales/olor/sabor en todos los suministros de agua.
	La máquina de hielo se instaló recientemente.	El hielo que lleva demasiado tiempo almacenado se encogerá, nublará, y puede desarrollar mal sabor. Deseche el hielo viejo y haga nuevo.
	Los alimentos no están bien guardados en los compartimentos.	Vuelva a envolver los alimentos. Es posible que los olores se trasladen al hielo si los alimentos no están bien envueltos.
	Es necesario limpiar el interior del refrigerador.	Para más información, consulte la sección de Cuidado y Limpieza.
	Es necesario limpiar el contenedor en donde se almacena el hielo.	Vacíe y lave el contenedor (deseche los cubitos viejos). Asegúrese de que el contenedor esté completamente seco antes de volver a instalarlo.
La máquina de hielo está haciendo demasiado hielo. (Sólo con máquina de hielos instalada).	El sensor o brazo de interrupción de la máquina de hielo está obstruido.	Vacíe el contenedor de hielo. Si su máquina de hielo está equipada con un brazo de interrupción de hielo, asegúrese de que el brazo se pueda mover libremente. Si su máquina de hielo está equipada con un sensor electrónico de interrupción del hielo, asegúrese de que haya una vía libre entre ambos sensores. Vuelva a instalar el contenedor de hielo y espere 24 horas para confirmar que funcione adecuadamente.

Problema	Causas posibles	Soluciones
Clics	El control de descongelamiento hará un chasquido cuando comience y finalice el ciclo de automático de descongelamiento. El control del termostato (o control del refrigerador en algunos modelos) también hará un chasquido al encenderse y apagarse el ciclo.	Funcionamiento normal
Traqueteo	Es posible que el traqueteo provenga del flujo de refrigerante, de la línea de agua en la parte trasera de la unidad, o de artículos guardados encima o alrededor del refrigerador.	Funcionamiento normal
	El refrigerador no descansa sólidamente sobre el suelo.	El suelo es débil o irregular o es necesario ajustar las patas de nivelación. Consulte la sección Alineación de las puertas.
	Se sacudió el refrigerador con compresor lineal mientras operaba.	Funcionamiento normal
Silbido	El motor del ventilador evaporador está circulando aire por los compartimentos refrigerador y congelador.	Funcionamiento normal
	El ventilador del condensador está forzando el aire por encima del condensador.	Funcionamiento normal
Gorboteo	El refrigerante está fluyendo por el sistema de refrigeración.	Funcionamiento normal
Chasquidos	Contracción y expansión de las paredes interiores debido a los cambios de temperatura.	Funcionamiento normal
Chisporroteos	Agua que gotea sobre el calentador de descongelamiento durante un ciclo de descongelamiento.	Funcionamiento normal
Vibración	Si los laterales o la parte trasera del refrigerador están tocando un mueble o pared, es posible que algunas de las vibraciones normales produzcan un sonido audible.	Para eliminar el ruido, asegúrese de que los laterales y la parte trasera no vibren contra ningún mueble o pared.
Goteo	Agua que fluye a la bandeja de drenaje durante el ciclo de descongelamiento.	Funcionamiento normal
Sonido pulsante o agudo	Su refrigerador está diseñado para funcionar más eficientemente para conservar los alimentos a la temperatura deseada. Es posible que el compresor de alta eficiencia haga que su refrigerador funcione durante más tiempo que su refrigerador anterior, pero sigue ahorrando más energía que los modelos anteriores. Mientras el refrigerador está en funcionamiento, es normal escuchar un sonido pulsante o agudo.	Funcionamiento normal

Problema	Causas posibles	Soluciones
Las puertas no se cierran correctamente o se abren.	Hay envases de alimentos impidiendo que la puerta se cierre.	Reordene los contenedores de alimento para dejar libre la puerta y los estantes.
	El contenedor de hielo, la tapa del cajón para verduras, las bandejas, los estantes, los contenedores de las puertas o los canastos no están en su posición.	Empuje todos los contenedores hacia adentro y ponga la tapa del cajón para verduras, las bandejas, los estantes y los canastos en su posición correcta. Consulte la sección Uso del refrigerador para obtener más información.
	Se quitaron las puertas durante la instalación del producto y no se volvieron a colocar adecuadamente.	Desmunte las puertas y vuelva a colocarlas siguiendo las instrucciones de la sección Desmontaje y colocación de las manijas y puertas del refrigerador.
	El refrigerador no está bien nivelado.	Consulte la sección Alineación de las puertas en la sección de Instalación del refrigerador para nivelar el refrigerador.
Las puertas son difíciles de abrir.	Las juntas están sucias o pegajosas.	Limpie las juntas y las superficies de contacto. Aplique una fina capa de abrillantador para electrodomésticos o cera de cocina en las juntas después de limpiarlas.
	La puerta se cerró recientemente.	Cuando abre la puerta, ingresa aire más caliente al refrigerador. Al enfriarse ese aire caliente, puede crear un vacío. Si le cuesta abrir la puerta, espere un minuto para permitir que la presión del aire se equilibre, y luego pruebe para ver si se abre con más facilidad.
El refrigerador se tambalea o parece inestable.	Las patas de nivelación no están bien ajustadas.	Consulte la sección Nivelación y alineación de las puertas.
	El suelo no está nivelado.	Es posible que sea necesario agregar cuñas debajo de las patas de nivelación o rodillos para completar las instalaciones.
Las luces no funcionan.	Avería de la iluminación LED interior.	La lámpara del compartimento del refrigerador es iluminación LED interior, por lo que el mantenimiento deberá ser realizado por un técnico calificado. (Consulte la sección Sustitución de la bombilla).
El refrigerador tiene un olor inusual.	Es posible que sea necesario poner el Filtro de Aire en máximo (MAX) o reemplazarlo.	Ponga el filtro de aire en máximo (MAX). Si el olor no desaparece dentro de las 24 horas, es posible que deba reemplazar el filtro. Consulte la sección Reemplazo del filtro de aire para obtener instrucciones sobre cómo cambiarlo.
El interior del refrigerador está cubierto con polvo u hollín.	El refrigerador está ubicado cerca de una fuente de calor, como por ejemplo un hogar, chimenea o vela.	Asegúrese de que el refrigerador no esté ubicado cerca de una fuente de calor, como por ejemplo un hogar, chimenea o vela.

**LG ELECTRONICS U.S.A., INC.**  
**REFRIGERADOR LG GARANTÍA LIMITADA - U.S.A.**

**AVISO DE ARBITRAJE: ESTA GARANTÍA LIMITADA CONTIENE UNA CLÁUSULA DE ARBITRAJE QUE LE DEMANDA A USTED Y A LG RESOLVER CONFLICTOS A TRAVÉS DE UN ARBITRAJE VINCULANTE EN LUGAR DE HACERLO EN LA CORTE, A MENOS QUE USTED DECIDA NO PARTICIPAR. EN EL ARBITRAJE NO ESTÁN PERMITIDAS LAS ACCIONES COLECTIVAS NI LOS JUICIOS CON JURADO. POR FAVOR, VEA A CONTINUACIÓN LA SECCIÓN TITULADA "PROCEDIMIENTO PARA RESOLVER CONFLICTOS".**

En caso de que su refrigerador LG ("Producto") presente alguna falla por defectos de materiales o de fabricación bajo uso apropiado y normal durante el período de garantía establecido más abajo, el mismo será reparado o reemplazado por LG Electrónicos ("LG"), a su opción. Esta garantía limitada es válida únicamente para el comprador final original del producto, y únicamente cuando el producto ha sido comprado y utilizado dentro de los Estados Unidos, incluidos los territorios norteamericanos.

PERIODO DE GARANTÍA			
Refrigerador/Congelador	Sistema Sellado (Condensador, Filtro desecante, Tubo Conector y Evaporador)	Compresor	
Un (1) año a partir de la fecha original de compra	Cinco (5) años a partir de la fecha original de compra	Cinco (5) años a partir de la fecha original de compra	Sólo Compresor Lineal / Inversor : Partes sólo para los años 6-10 desde la fecha original de compra. (La mano de obra se le cargará al consumidor)
Piezas y mano de obra (solo piezas internas/funcionales)	Piezas y mano de obra	Piezas y mano de obra	

• Los productos y las piezas de repuesto están garantizados durante el tiempo restante del período original de garantía o noventa (90) días, lo que resulte mayor.

• Los productos y las piezas de repuesto pueden ser nuevos, reparados, reacondicionados, o reconstruidos por la fábrica.  
• Es necesario presentar prueba de la compra minorista especificando el modelo del producto y la fecha de compra para obtener el servicio de garantía bajo esta garantía limitada.

**Salvo lo prohibido por la ley, toda garantía de comercialización o idoneidad implícita, para un propósito particular en el producto, está limitada a la duración de la garantía arriba expresada. Bajo ninguna circunstancia deberá LG o sus distribuidores/representantes ser responsable por cualquier daño indirecto, incidental, consecuente, especial, o punitivo, lo cual incluye pero no se limita a, pérdida de fondos del comercio, ganancias perdidas, interrupción del trabajo, deterioro de otros bienes, costo de remover y reinstalar el producto, pérdida de uso, o cualquier otro daño ya sea basado en contrato, perjuicio, u otros. La responsabilidad total de LG, en caso exista, no excederá el precio que usted pagó por adquirir el producto.**

Algunos estados no permiten la exclusión o limitación de daños incidentales o emergentes, o limitaciones a la duración de la garantía implícita, por lo que la exclusión o limitación anteriormente mencionada podrían no corresponder en su caso. Esta garantía limitada le otorga derechos legales específicos y es posible que usted cuente con otros derechos que varían según el estado.

**ESTA GARANTÍA LIMITADA NO CUBRE LO SIGUIENTE:**

- Viajes del servicio técnico para entregar, buscar o instalar el producto, instruir al cliente sobre la operación del mismo, corregir el cableado o las reparaciones/instalaciones no autorizadas.
- Daño o fallo del producto al operar durante fallas e interrupciones del suministro eléctrico, o resultado de un servicio eléctrico inadecuado.
- Daños o fallas causadas por tuberías de agua rotas o con fugas, tuberías de agua congeladas, líneas de desagüe restringidas, suministro de agua inadecuado o interrumpido, o suministro de aire inadecuado.
- Daños resultantes de operar el producto en una atmósfera corrosiva o contraria a las instrucciones detalladas en el manual del propietario del producto.
- Daños o fallos del producto causados por accidentes, plagas y alimañas, rayos, viento, incendio, inundaciones, hechos de fuerza mayor, o cualquier otra causa fuera del control de LG.
- Daños o fallas causados por modificaciones o alteraciones no autorizadas, o si se usa para otro fin que no sea el previsto.
- Daños o fallos resultantes de mal uso, abuso, instalación, reparación o mantenimiento incorrectos. Una reparación incorrecta incluye el uso de piezas no autorizadas, aprobadas o especificadas por LG. La instalación o el mantenimiento inadecuado incluye aquellos contrarios a lo especificado en el manual del usuario del producto.
- Daños o fallos causados por corriente o voltaje eléctrico incorrecto, o por códigos de fontanería.
- Daños o fallos causados por el transporte y el manejo, incluye rayas, muescas, astillados y/u otros daños al acabado del producto, a menos que tales daños se informen dentro del plazo de una (1) semana de la entrega.
- Daños o artículos faltantes a productos comprados con descuento, con la caja abierta o que hayan estado en exhibición.
- Productos reacondicionados o cualquier producto vendido con los avisos "En el estado actual", "En el sitio actual", "Con todos sus defectos" o similares.
- Productos cuyos números de serie originales hayan sido retirados, alterados o no se puedan determinar fácilmente.
- Aumentos en los costos de los servicios públicos y otros gastos adicionales de dichos servicios.
- Cualquier ruido asociado con la operación normal.
- Uso de accesorios (Ej, filtros de agua, etc.), componentes o productos de limpieza consumibles que no estén autorizados por LG.
- Reemplazo de focos, filtros o cualquier parte consumible.
- Cuando el producto se use de otra forma que no sea uso doméstico usual y normal (p. ej., uso comercial o industrial, en oficinas e instalaciones recreativas o vehículos) o uso contrario a las instrucciones detalladas en el manual del propietario del producto.
- Costos asociados con el retiro y la reinstalación de su producto para realizar reparaciones.
- Estantes, bandejas de puerta, cajones, manijas y accesorios, a excepción de las partes internas/funcionales cubiertas bajo esta garantía limitada.

**El costo de la reparación o el reemplazo en estas circunstancias excluidas estará a cargo del consumidor. PARA OBTENER SERVICIO EN GARANTÍA E INFORMACIÓN ADICIONAL Llame al 1-800-243-0000 y seleccione la opción apropiada desde el menú. O visite nuestro sitio web en <http://www.lg.com> O por correo: LG Electronics Customer Service P.O. Box 240007 Huntsville, AL 35813 ATTN: CIC**

## PROCEDIMIENTO PARA RESOLVER CONFLICTOS:

TODOS LOS CONFLICTOS ENTRE USTED Y LG QUE SURJAN FUERA DE O RELACIONADOS DE ALGUNA MANERA CON ESTA GARANTÍA LIMITADA O CON EL PRODUCTO, SE RESOLVERÁN EXCLUSIVAMENTE A TRAVÉS DE UN ARBITRAJE VINCULANTE Y NO EN UNA CORTE DE JURISDICCIÓN GENERAL. ARBITRAJE VINCULANTE SIGNIFICA QUE USTED Y LG RENUNCIAN AL DERECHO DE UN JUICIO CON JURADO Y A REALIZAR O PARTICIPAR EN UNA DEMANDA COLECTIVA.

**Definiciones.** Para el propósito de esta sección, las referencias a "LG" significan: LG Electronics U.S.A., Inc., sus empresas matrices, subsidiarias y filiales y cada uno de sus directivos, directores, empleados, agentes, beneficiarios, predecesores en interés, sucesores, cesionarios y proveedores; las referencias a "conflicto" o "reclamación" incluirán cualquier conflicto, reclamo o controversia de cualquier tipo, sin importar (ya sea basado en contrato, agravio, estatuto, regulación, ordenanza, fraude, falsa representación o cualquier teoría legal o equitativa) que surja de o esté relacionada con cualquier forma de venta, condición o desempeño del producto o de esta Garantía Limitada.

**Aviso de disputa.** En caso de que usted desee iniciar un procedimiento de arbitraje, primero debe notificar a LG por escrito al menos 30 días antes de iniciar el arbitraje enviando una carta a LG a LG Electronics, USA, Inc. Atención: Legal Department-Arbitration 111 Sylvan Avenue, Englewood Cliffs, NJ 07632. Usted y LG aceptan participar en discusiones de buena fe en un intento de resolver su reclamo de manera amistosa. En la carta debe proporcionar su nombre, dirección y número de teléfono; identificar el producto que es objeto de la reclamación; y describir la naturaleza del reclamo y el remedio que busca. Si usted y LG no pueden resolver la disputa dentro de 30 días, cualquiera de las partes puede proceder a presentar una demanda de arbitraje.

**Acuerdo de arbitraje vinculante y renuncia de demanda colectiva.** En caso de no resolver la disputa durante el período de 30 días después de enviar una notificación por escrito a LG, Usted y LG se comprometen a resolver cualquier reclamo entre nosotros, solamente a través de arbitraje vinculante sobre una base individual, a menos que usted se excluya, conforme a lo dispuesto a continuación. Cualquier conflicto entre usted y LG no estarán combinados o consolidados con una controversia relacionada con cualquier otro producto o reclamo de otra persona o entidad. Más específicamente y sin perjuicio de lo anterior, no procederá bajo ninguna circunstancia cualquier disputa entre usted y LG como parte de una acción colectiva o representativa. En lugar del arbitraje, cualquiera de las partes podrá iniciar una acción individual en la corte de reclamos menores, pero tales acciones en la corte de reclamos menores no podrán ser realizadas en una acción colectiva o representativa.

**Normas y procedimientos de arbitraje.** Para comenzar con el arbitraje de un reclamo, usted o LG deben realizar una demanda escrita para arbitraje. El arbitraje será administrado por la Asociación Americana de Arbitraje (AAA) y se llevará a cabo ante un árbitro único bajo las Normas de Arbitraje del Consumidor de la AAA, que tienen efecto al momento de inicio del arbitraje (en adelante "Normas de la AAA") y bajo los procedimientos establecidos en esta sección. Las Normas de la AAA están disponibles en línea en [www.adr.org/consumer](http://www.adr.org/consumer). Envíe una copia de su solicitud de arbitraje por escrito, así como una copia de esta disposición, a la AAA de la forma descrita en las Normas de la AAA. También debe enviar una copia de su solicitud por escrito a LG en LG Electronics, USA, Inc. Atención: Legal Department-Arbitration 111 Sylvan Avenue, Englewood Cliffs, NJ 07632. Si hay un conflicto entre las Normas de la AAA y las reglas establecidas en esta sección, prevalecerán dichas reglas de esta sección. Esta disposición de arbitraje se rige por la Ley Federal de Arbitraje. El juicio se puede introducir en el laudo arbitral en cualquier tribunal de jurisdicción competente. Todos son temas para que el árbitro tome sus decisiones, excepto aquellos asuntos relativos al alcance y aplicabilidad de la cláusula de arbitraje y de la capacidad de arbitraje de la controversia para que el tribunal decida. El árbitro se regirá por los términos de esta disposición.

**Legislación vigente.** La legislación del estado de su residencia regirá esta Garantía Limitada, así como todas las disputas entre nosotros, salvo que sea invalidada o inconsistente con leyes federales aplicables.

**Tarifas / Costos.** Usted no debe pagar ninguna tarifa para comenzar un arbitraje. Al recibir su solicitud de arbitraje por escrito, LG pagará todos los gastos administrativos rápidamente a la AAA, a menos que usted solicite más de \$25,000.00 por daños, en cuyo caso el pago de estos gastos se regirá por las Normas de la AAA. Salvo disposición contraria prevista en el presente documento, LG pagará a la AAA todos los gastos documentales, administrativos y de arbitraje para cualquier arbitraje iniciado, de conformidad con las Normas de la AAA y esta disposición de arbitraje. Si usted prevalece en el arbitraje, LG pagará los honorarios y gastos de sus abogados, siempre y cuando sean razonables, considerando factores que incluyen, entre otros, el monto de la compra y el monto del reclamo. No obstante lo anterior, si la ley aplicable permite una adjudicación de honorarios y gastos razonables de abogados, un árbitro puede otorgarlos en la misma medida que lo haría un tribunal. Si el árbitro considera que la sustancia de su reclamo o la reparación solicitada en la demanda es frívola o se utiliza para un propósito inadecuado (calificado según las normas establecidas en la Norma Federal de Procedimiento Civil 11 (b)), el pago de todos los honorarios de arbitraje se regirá por las Normas de la AAA. En tal situación usted se compromete a reembolsar a LG todos los fondos erogados previamente por ella, cuyo pago es, por otra parte, su obligación, según las Normas de la AAA. Salvo disposición contraria, LG renuncia a cualquier derecho que pudiera tener para solicitarle los honorarios y gastos de sus abogados, si LG prevalece en el arbitraje.

**Audiencias y ubicación.** Si su reclamo es por \$25,000 o menos, usted puede optar que el arbitraje sea realizado únicamente sobre la base de: (1) documentos presentados al árbitro, (2) a través de una audiencia telefónica o (3) por una audiencia en persona, según lo establecido por las Normas de la AAA. Si su reclamo excede \$25,000, el derecho a una audiencia estará determinado por las Normas de la AAA. Cualquier audiencia de arbitraje en persona se realizará en un lugar dentro del distrito judicial federal en el cual resida, a menos que ambos acuerden otra ubicación o estemos de acuerdo con el arbitraje telefónico.

**Exclusión.** Usted puede quedarse fuera de este procedimiento de resolución de la disputa. Si se excluye, ni usted ni LG pueden solicitar al otro que participe en un procedimiento de arbitraje. Para excluirse usted debe enviar una notificación a LG, en un lapso de hasta 30 días continuos, contados a partir de la fecha de la primera compra del consumidor del producto, ya sea por: (i) el envío de un correo electrónico a [optout@lge.com](mailto:optout@lge.com) con el siguiente Asunto: "Exclusión del arbitraje" o (ii) llamada al 1-800-980-2973. Debe incluir en el correo electrónico de exclusión o suministrar por teléfono: (a) su nombre y dirección; (b) la fecha en la cual el producto fue comprado; (c) el nombre o el número del modelo del producto; y (d) el número del serial (el número del serial puede ser hallado (i) en el producto, o (ii) en la dirección de <https://www.lg.com/us/support/repair-service/schedule-repair-continued> al hacer clic en "Find My Model & Serial Number").

Sólo puede excluirse del procedimiento de resolución de conflictos en la forma descrita anteriormente (es decir, por correo electrónico o por teléfono); ninguna otra forma de notificación será efectiva para hacerlo. Excluirse de este procedimiento de resolución de controversias no afectará de ninguna manera la cobertura de la Garantía Limitada, por lo que usted continuará disfrutando de todos sus beneficios. Si conserva este producto y no se excluye, usted acepta todos los términos y condiciones de la cláusula de arbitraje descrita anteriormente.



### LG Customer Information Center

For inquiries or comments,  
visit [www.lg.com](http://www.lg.com) or call:

**1-800-243-0000** USA, Consumer User

**1-888-865-3026** USA, Commercial User

**1-888-542-2623** CANADA

**Register your product Online!**

[www.lg.com](http://www.lg.com)