

**WINE CABINET & BEVERAGE CENTRE**

---

# PLANNING GUIDE

---

RS2435V2RT1 | RS2435V2R1 | RS2435SBLT1 | RS2435SBL1

**FISHER & PAYKEL**

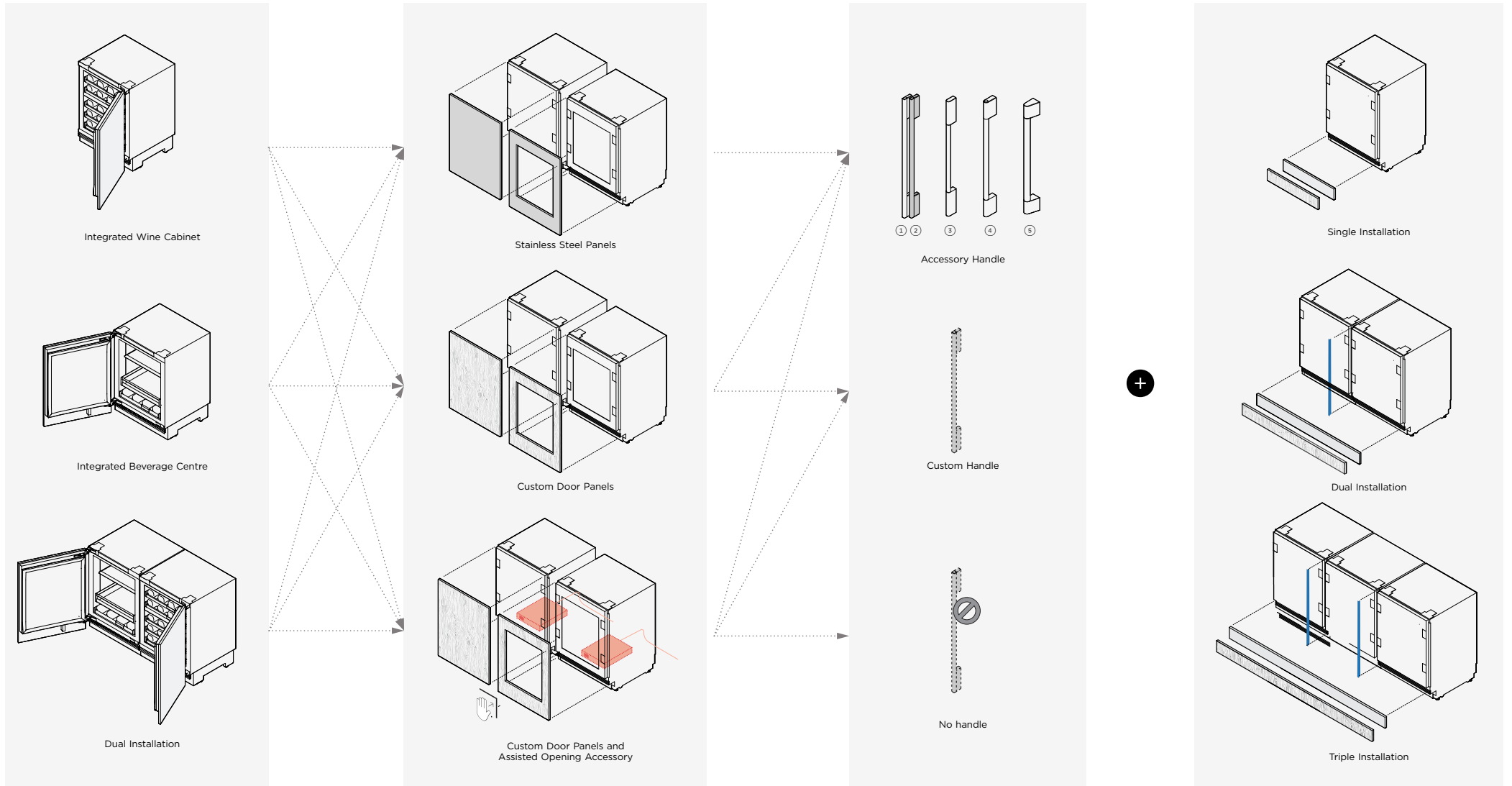
This comprehensive Planning Guide provides you with the framework and tools to achieve your desired design outcome with Fisher & Paykel appliances. In this guide, you will find a range of conceptual, detailed, and dimensional product information to bring your ideas to life and create spaces that truly reflect your vision.

**CONTENTS**

CONCEPT DESIGN	PAGE	DEVELOPED AND DETAILED DESIGN	PAGE	DEVELOPED AND DETAILED DESIGN	PAGE
Design Choices	3	Planning Guide information for Developed and Detailed Design available in <b>Q2 2024</b>			
Specification Guide	5				
Integrated Wine Cabinet	6				
Integrated Beverage Centre	8				
Multiple Installation	10				

## DESIGN CHOICES

# DESIGN CHOICES | WINE CABINET & BEVERAGE CENTER



## MODELS

	Left Hinge	Right Hinge
Integrated Wine Cabinet - Glass door		<b>RS2435V2RT1</b>
Integrated Wine Cabinet - Solid door		<b>RS2435V2R1</b>
Integrated Beverage Center - Glass door	<b>RS2435SBLT1</b>	
Integrated Beverage Center - Solid door	<b>RS2435SBL1</b>	

Note: All models can achieve opposite hinge location using the supplied parts

## DOOR PANELS

	Left Hinge	Right Hinge
Solid Stainless Steel Door Panel	<b>RD2435L</b>	<b>RD2435R</b>
Glass Stainless Steel Door Panel	<b>RD2435VL</b>	<b>RD2435VR</b>
Assisted Opening Accessory	<b>OPINI</b>	

Note: Custom Door Panels to be manufactured and fitted by cabinet maker

## HANDLES

① Fine Aluminium Handle	<b>AHD5RD35</b>
② Fine Black Aluminium Handle	<b>AHD5RD35B</b>
③ Fine Round Handle	<b>AHSRD35</b>
④ Classic Handle	<b>ACLRD35</b>
⑤ Professional Handle	<b>AHP3RD35</b>

Note: Custom handles to be fitted by cabinet maker

## STAINLESS STEEL TOE KICK AND JOINER KIT

	Toe Kick	Joiner Kit
Single Installation	<b>AKRS2304</b>	<b>Not required</b>
Dual Installation	<b>AKRS4704</b>	<b>AJRS35LR (1x)</b>
Triple Installation	<b>AKRS7104</b>	<b>AJRS35LR (2x)</b>

Note: Custom Toe Kick to be manufactured and fitted by cabinet maker

## SPECIFICATION GUIDE



RS2435V2LR1 - Solid door with Custom Panel



RS2435V2RT1 - Glass door with Custom Panel

### OVERVIEW

Designed for wine lovers, this under-counter wine cabinet seamlessly fits in any space of the evolving home. Boasting premium oak slide-out shelves and a UV-tempered glass door, it elegantly showcases up to 35 bottles. Featuring dual temperature zones and specialised modes for Red, White, Sparkling, and Cellar wines, this versatile cabinet provides the perfect environment for all wine varieties.

### FEATURES

- ① Integrates into any setting within the home, from the bar to the master suite - the choices are endless
- ② Four specialised wine modes for Red, White, Sparkling, and Cellar wines
- ③ Designed to fit flush, with 3/16" gaps and no visible hinges or grilles
- ④ Premium oak slide-out shelves for convenient access and storage
- ⑤ Accommodates up to 35 bottles, providing ample space for a diverse collection
- ⑥ Features two independent temperature zones to cater for different wine varieties
- ⑦ UV-tempered glass door elegantly displays and protects wine
- ⑧ Intuitive interface for easy temperature control and mode selection
- ⑨ Internal LED lighting provides beautiful illumination, showcasing the collection
- ⑩ Wi-Fi enabled for remote temperature control from the SmartHQ™ app

### PRODUCTS

#### **RS2435V2RT1** Integrated Wine Cabinet

Glass Door, Panel Ready or Stainless Steel Panel, Right Hinge (All models can achieve opposite hinge location using the supplied parts)

#### **RS2435V2R1** Integrated Wine Cabinet

Solid Door, Panel Ready or Stainless Steel Panel, Right Hinge (All models can achieve opposite hinge location using the supplied parts)



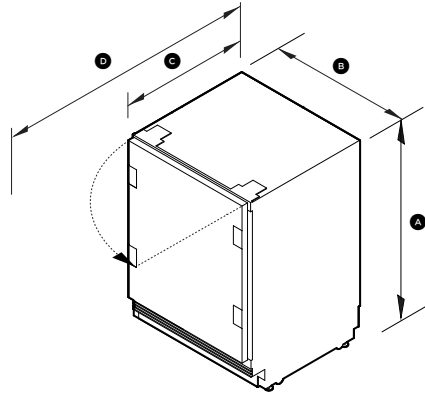
RS2435SB2LT1 & RS2435V2LR1 Side by Side

The models shown in this Planning Guide may not be available in all markets and are subject to change at any time. Product specifications may vary from those shown. This Planning Guide should not be used as installation guidance for any product. Further information is required to safely and correctly install the products featured here. Specific installation guidance will be available soon on our website [fisherpaykel.com](https://fisherpaykel.com)

**SPECIFICATIONS**

<b>Model No.</b>	RS2435V2RT1, RS2435V2R1
<b>Product Dimensions</b>	H 34 - 35 7/16" W 23 5/16" D 22 13/16
<b>Electrical</b>	
Supply	115 V, 60 Hz
Service	10 A

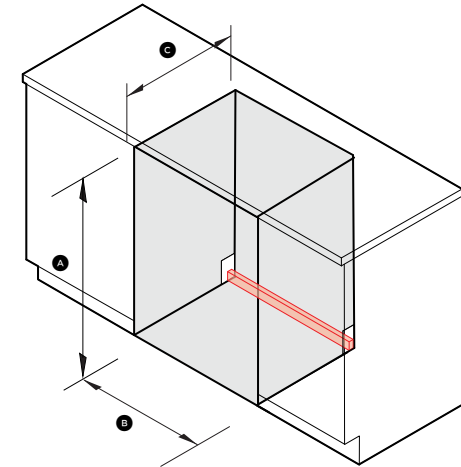
**PRODUCT DIMENSIONS**



	in	mm
Ⓐ Overall height	34 - 35 7/16	864 - 900
Ⓑ Overall width	23 5/16	592
Ⓒ Overall depth*	22 13/16	579
Ⓓ Overall depth with the door open*	47 1/4	1200
Height from floor to bottom of bottom door panel**	9/16 - 5 15/16	15 - 150
Depth of toe kick (excl. front door and toe kick panels)**	2 - 4	50 - 100
Splitline heights achievable (height from floor to top of door panel)	33 7/8 - 35 5/16	861 - 897

Maximum custom door panel thickness of 3/4" (19mm)  
 \*Excluding door panel and handle  
 \*\*Applies to custom door panels

**CAVITY DIMENSIONS: STANDARD INSTALLATION**



	in	mm
Ⓐ Height	34 - 35 7/16	864 - 900
Ⓑ Minimum width	23 5/8	600
Ⓒ Minimum overall cavity depth with service to the side	23 5/8	600
Ⓒ Minimum overall cavity depth with service behind	25 9/16	650
<b>Service area</b>	<b>H 1 7/16" x W 23 5/8" x D 13/16"</b>	

The models shown in this Planning Guide may not be available in all markets and are subject to change at any time. Product specifications may vary from those shown. This Planning Guide should not be used as installation guidance for any product. Further information is required to safely and correctly install the products featured here. Specific installation guidance will be available soon on our website [fisherpaykel.com](http://fisherpaykel.com)



RS2435SB2LT1 - Solid door with Custom Panel



RS2435SB2LT1 - Glass door with Custom Panel

**OVERVIEW**

Experience the luxury of the Integrated Beverage Center. Seamlessly blending into any home setting, its adjustable shelves and full-depth wine shelf elegantly house your favourite beverages. With a UV-resistant glass door and soft LED lighting, this Beverage Center is a blend of style and functionality, offering optimal conditions for all drinks.

**FEATURES**

- ① Integrates into any setting within the home, from the bar to the master suite - the choices are endless
- ② Designed to fit flush, with 3/16" gaps and no visible hinges or grilles
- ③ Adjustable temperature control helps to keep drinks at the ideal temperature
- ④ Customisable beverage shelf with adjustable gates ensures contents remain upright and neatly organised
- ⑤ Spacious 4.6 cu ft capacity, with full-depth wine shelf that can accommodate up to seven bottles
- ⑥ Wi-Fi enabled for remote temperature control from the SmartHQ™ app
- ⑦ Soft LED lighting illuminates the interior when the door is open
- ⑧ UV-tempered glass door elegantly displays and protects beverages
- ⑨ Intuitive touch control for easy temperature selection

**PRODUCTS**

**RS2435SB2LT1** Integrated Beverage Center  
Glass Door, Panel Ready or Stainless Steel Panel, Left Hinge  
(All models can achieve opposite hinge location using the supplied parts)

**RS2435SB2L1** Integrated Beverage Center  
Solid Door, Panel Ready or Stainless Steel Panel, Left Hinge  
(All models can achieve opposite hinge location using the supplied parts)



RS2435SB2LT1 & RS2435V2LR1 Side by Side

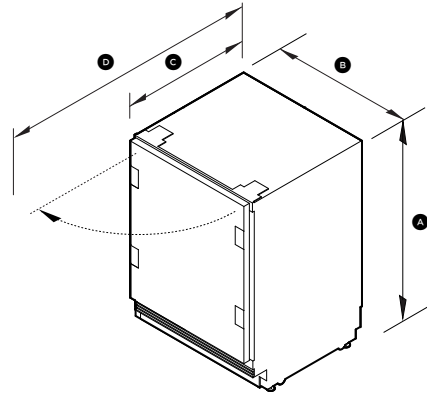
The models shown in this Planning Guide may not be available in all markets and are subject to change at any time. Product specifications may vary from those shown. This Planning Guide should not be used as installation guidance for any product. Further information is required to safely and correctly install the products featured here. Specific installation guidance will be available soon on our website [fisherpaykel.com](http://fisherpaykel.com)



**SPECIFICATIONS**

<b>Model No.</b>	RS2435SB2LT1, RS2435SB2L1
<b>Product Dimensions</b>	H 34 - 35 7/16" W 23 5/16" D 22 13/16"
<b>Electrical</b>	
Supply	115 V, 60 Hz
Service	10 A

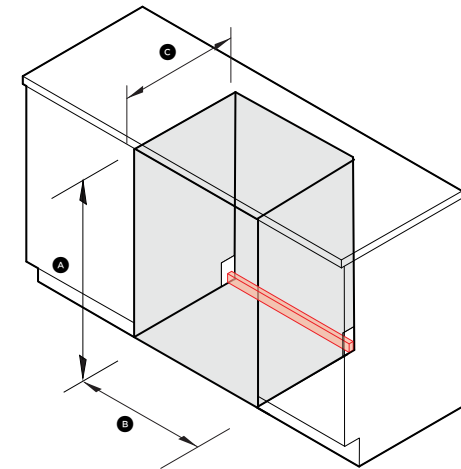
**PRODUCT DIMENSIONS**



	in	mm
Ⓐ Overall height	34 - 35 7/16	864 - 900
Ⓑ Overall width	23 5/16	592
Ⓒ Overall depth*	22 13/16	579
Ⓓ Overall depth with the door open*	47 1/4	1200
Height from floor to bottom of bottom door panel**	9/16 - 5 15/16	15 - 150
Depth of toe kick (excl. front door and toe kick panels)**	2 - 4	50 - 100
Splitline heights achievable (height from floor to top of door panel)	33 7/8 - 35 5/16	861 - 897

Maximum custom door panel thickness of 3/4" (19mm)  
 \*Excluding door panel and handle  
 \*\*Applies to custom door panels

**CAVITY DIMENSIONS: STANDARD INSTALLATION**



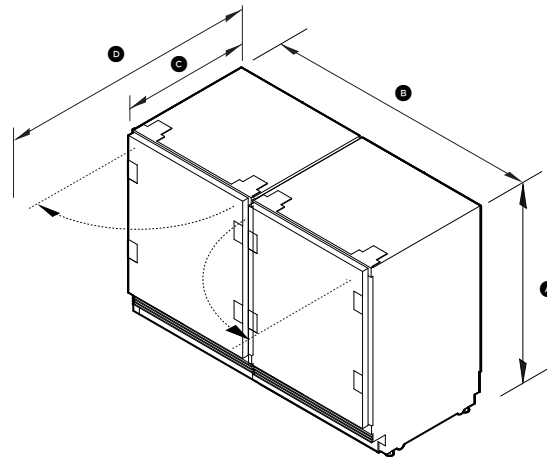
	in	mm
Ⓐ Height	34 - 35 7/16	864 - 900
Ⓑ Minimum width	23 5/8	600
Ⓒ Minimum overall cavity depth with service to the side	23 5/8	600
Ⓒ Minimum overall cavity depth with service behind	25 9/16	650
<b>Service area</b>	<b>H 1 7/16" x W 23 5/8" x D 13/16"</b>	

The models shown in this Planning Guide may not be available in all markets and are subject to change at any time. Product specifications may vary from those shown. This Planning Guide should not be used as installation guidance for any product. Further information is required to safely and correctly install the products featured here. Specific installation guidance will be available soon on our website [fisherpaykel.com](http://fisherpaykel.com)

**SPECIFICATIONS**

<b>Model No.</b>	RS2435V2RT1, RS2435V2R1, RS2435SB2LT1, RS2435SB2L1
<b>Product Dimensions</b>	H 34 - 35 7/16" W 23 5/16" D 22 13/16
<b>Electrical</b>	
Supply	115 V, 60 Hz
Service	10 A

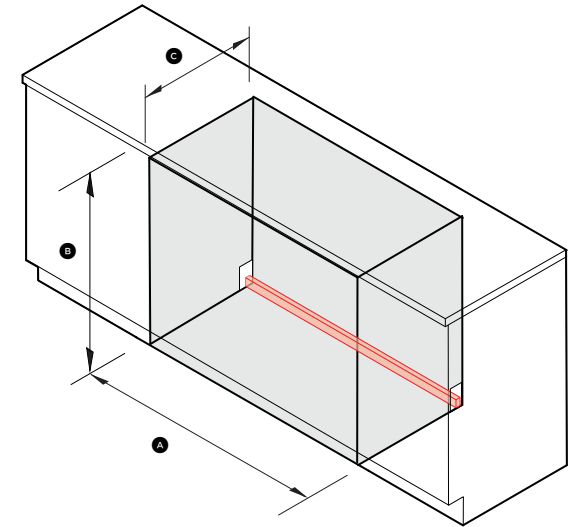
**PRODUCT DIMENSIONS**



	in	mm
Ⓐ Overall height	34 - 35 7/16	864 - 900
Ⓑ Overall width - dual installation	46 7/8	1190
Ⓒ Overall depth*	22 13/16	579
Ⓓ Overall depth with the door open*	47 1/4	1200
Height from floor to bottom of bottom door panel**	9/16 - 5 15/16	15-150
Depth of toe kick (excl. front door and toe kick panels)**	2 - 4	50 - 100
Splitline heights achievable (height from floor to top of door panel)	33 7/8 - 35 5/16	861 - 897

Maximum custom door panel thickness of 3/4" (19mm)  
 \*Excluding door panel and handle  
 \*\*Applies to custom door panels

**CAVITY DIMENSIONS: STANDARD INSTALLATION**



	in	mm
Ⓐ Height	34 - 35 7/16	864 - 900
Ⓑ Minimum width dual installation Minimum width triple installation	47 1/4 70 7/8	1200 1800
Ⓒ Minimum overall cavity depth with service to the side	23 5/8	600
Ⓒ Minimum overall cavity depth with service behind	25 9/16	650
Service area dual installation H 1 7/16" x W 47 1/4" x D 13/16"		
Service area triple installation H 1 7/16" x W 70 7/8" x D 13/16"		

The models shown in this Planning Guide may not be available in all markets and are subject to change at any time. Product specifications may vary from those shown. This Planning Guide should not be used as installation guidance for any product. Further information is required to safely and correctly install the products featured here. Specific installation guidance will be available soon on our website fisherpaykel.com

