

WF45R6100AC

SAMSUNG

Samsung Front Load Washer with Steam

4.5 cu. ft. Capacity DOE



Signature Features

Steam

- Powerful stain removal without pretreatment, while still gentle on your clothing.

Self Clean+

- Keeps your washer drum fresh and clean by eliminating 99% of bacteria¹. Will also send a reminder to clean the drum every forty wash cycles.

Smart Care

- Easy troubleshooting from the convenience of your smartphone². Smart Care interacts with your washer and dryer to perform an immediate diagnosis and offer quick solutions.

Available Colors



Steam



Self Clean+

Features

- Steam
- Self Clean+
- Smart Care
- VRT Plus™ Technology
- Swirl+ Drum Design
- Closet-Depth Fit³
- Stackability
- Internal Water Heater
- 1200 RPM Maximum Spin Speed
- Direct Drive Motor
- 10 Preset Washing Cycles
- 7 Additional Washing Options
- 5 Temperature Levels
- LED Display: Ice Blue
- 24-Hour Delay End

Convenience

- Child Lock
- Delay End
- Dispenser Trays: Main Wash, Softener, Bleach



ADA Compliant⁴

Rating



ENERGY STAR®-rated
CEE Tier 2
IMEF = 2.92
IWF = 2.9

¹Based on testing by Intertek of the Self Clean+ cycle on the WF6000R.

²Requires Samsung Smart Washer/Dryer App. The Samsung Smart Washer/Dryer app supports Android OS 2.3.6 or later and iOS 3 or later for iPhone models. Smart Washer/Dryer app available in App Store and Play Store.

³Designed to fit a 40" installation depth.

⁴ADA Compliant when using a Samsung 27" wide riser (WE272NV or WE272NW).

WF45R6100AC

SAMSUNG

Samsung Front Load Washer with Steam

4.5 cu. ft. Capacity DOE

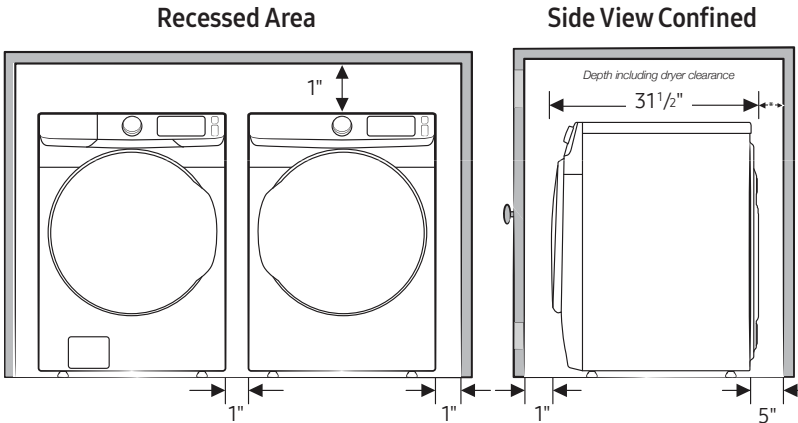
Installation Specifications

If the washer and dryer are installed together or the dryer alone, the closet front must have two unobstructed air openings for a combined minimum total area of 72-inch² (see stacked build below). Your washer alone does not require a specific air opening.

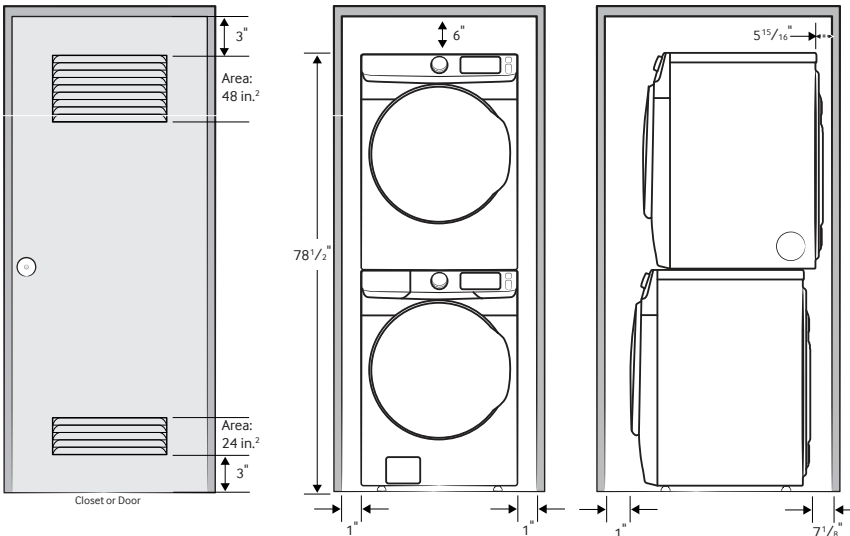
*Required spacing (External exhaust elbow may require additional space.)

1. Alcove or closet installation

Minimum Clearance for Closet and Alcove Installations:

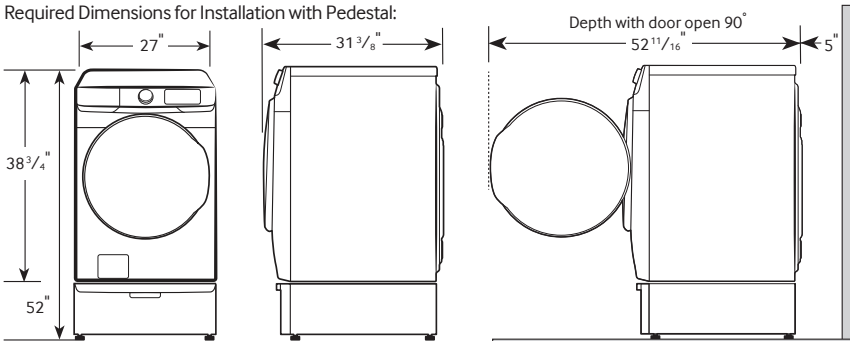


2. With stacked washer and dryer



Dimensions

Required Dimensions for Installation with Pedestal:



Actual color may vary. Design, specifications, and color availability are subject to change without notice. Non-metric weights and measurements are approximate.

©2019 Samsung Electronics America, Inc., 85 Challenger Road, Ridgefield Park, NJ 07660. Tel: 800-SAMSUNG. samsung.com. Samsung is a registered trademark of Samsung Electronics Co., Ltd.

10 Preset Washing Cycles:

Normal, Heavy Duty, Bedding, Quick Wash, Permanent Press, Delicates, Whites, Sanitize, Rinse and Spin, Self Clean+

7 Additional Washing Options:

Presoak, Steam, Delay End, Alarm Off, Child Lock, Smart Care, Spin Only

5 Temperature Levels:

Hot, Warmer, Warm, Cool, Cold

5 Spin Speeds:

High, Medium High, Medium, Low, No Spin

5 Soil Levels:

Heavy, Medium Heavy, Normal, Medium Low, Light

Dispenser Trays:

Main Wash, Softener, Bleach

Warranty

One (1) Year Parts and Labor
Three (3) Years Stainless Steel Drum (Part Only)
Ten (10) Years Direct Drive Motor (Part Only)

Product Dimensions & Weight (WxHxD)

Dimensions: 27" x 38³/₄" x 31³/₈"
Weight: 201 lbs

Shipping Dimensions & Weight (WxHxD)

Dimensions: 29³/₈" x 42³/₈" x 34¹/₈"
Weight: 205 lbs

Color	Model #	UPC Code
Champagne	WF45R6100AC	887276305295
White	WF45R6100AW	887276299471

Matching Dryer (Electric/Gas)

Champagne	DVE45R6100C	887276305943
White	DVE45R6100W	887276300450
Champagne	DVG45R6100C	887276305271
White	DVG45R6100W	887276300498

Pedestal

Champagne	WE402NC	887276310121
White	WE402NW	887276310152

Accessories

Stacking Kit	SKK-8K	887276344034
--------------	--------	--------------