

1. WITH THE HELP OF SOMEONE ELSE, LINEUP THE CABINETS AND PLACE THE TOP AS SHOWN IN FIG. A.

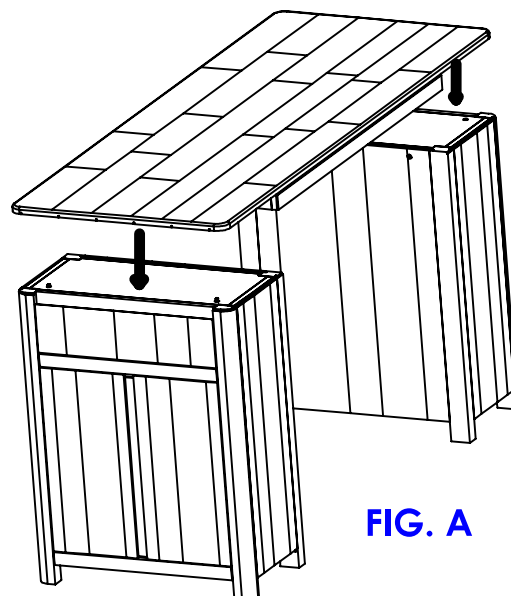


FIG. A

FIG. A

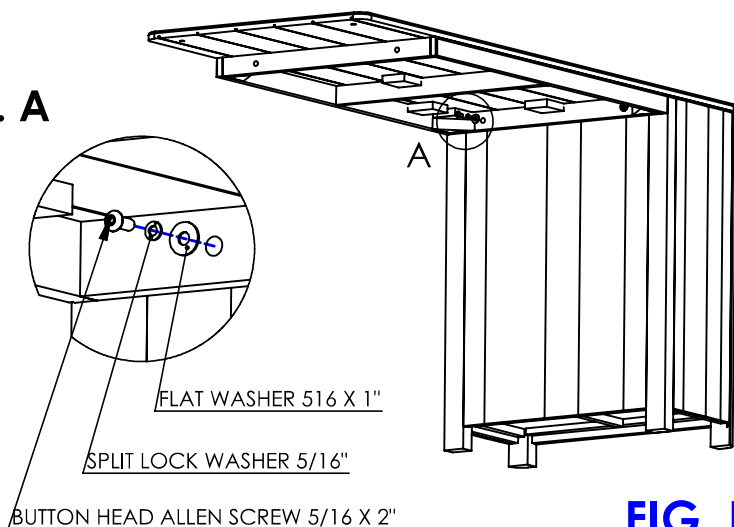


FIG. B

2. MAKE SURE THE CABINETS ARE PERFECTLY ALIGNED AND INSERT THE SCREWS AS SHOWN IN FIGURE B BUT DON'T TIGHTEN THEM.

3. PULL THE DRAWER OUT OF THE CABINET (CHECK PAGE 2) TO PLACE THE HIDDEN SCREWS INSIDE AS SHOWN IN FIGURE C.

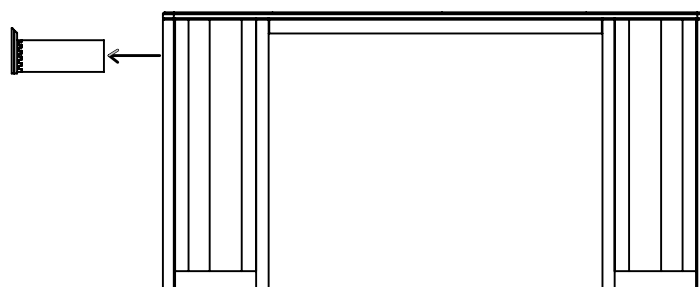
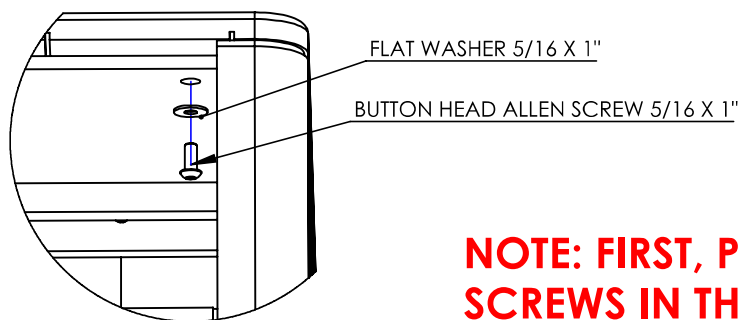
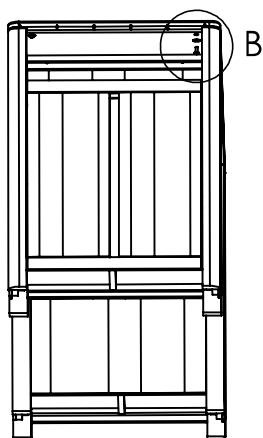


FIG. C



NOTE: FIRST, PLACE ALL THE SCREWS IN THEIR POSITIONS AND TIGHTEN THEM AT THE END

4. INSERT THE DRAWER IN THEIR PLACE.

DESCRIPTION	#
BUTTON HEAD ALLEN SCREW 5/16 X 2"	4
BUTTON HEAD ALLEN SCREW 5/16 X 1"	4
SPLIT LOCK WASER 5/16"	4
FLAT WASHER 5/16 X 1"	8
ALLEN KEY 3/16"	1



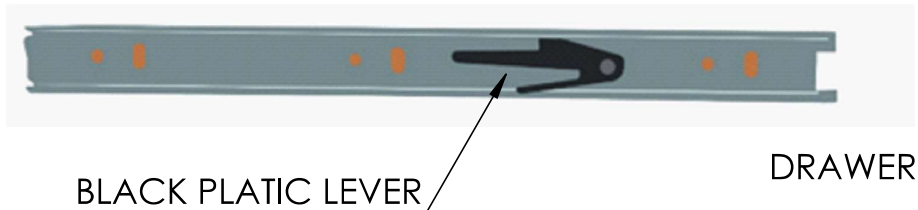
INTERNATIONAL
FURNITURE DIRECT, LLC

**ASSEMBLING
INSTRUCTIONS**

I-KSL-E010

HOW DO I REMOVE THE DRAWER?

1. STAND IN FRONT OF THE DRAWER
2. LOCATE THE BLACK PLASTICS LEVER THAT PEEK OUT OF THE SIDE OF THE SLIDES
3. YOU WILL SEE THAT THEY HAVE SMALL POINTS; ONE OF THEM WILL BE FACING DOWN AND THE OTHER FACING UP.



4. PUSH THE LEVER THAT IS FACING DOWN UPWARDS AND THE ONE THAT IS FACING UP DOWNWARDS. WITHOUT RELEASING THEM, PULL THE DRAWER OUTWARDS.



5. TO REINSERT THE DRAWER, MAKE SURE THAT THE FURNITURE'S SLIDE HAS THE METAL PLATE WITH PELLET FULLY ALIGNED AT THE BEGINNING OF THE SLIDE. ONCE IT'S READY, ALIGN THE DRAWER SLIDE WITH THE FURNITURE SLIDE AND PUSH UNTIL THE SLIDES HAVE JOINED TOGETHER-YOU'LL HEAR A CLICK.



ifd

INTERNATIONAL
FURNITURE DIRECT, LLC

**ASSEMBLING
INSTRUCTIONS**

I-KSL-E010