

7004808, 7004809, 7004810, 7004811, 7004812, 7004813, 7012623, 7012624
(Instructions for Dual Grille Kits Listed Above)

⚠ WARNING

BI SERIES UNITS ARE HEAVY AND CAN BE UNSTABLE WHEN ATTEMPTING TO INSTALL THEM. WHEN MOVING A BI SERIES UNIT KEEP THE DOORS AND DRAWERS TAPED CLOSED. THE ANTI-TIP COMPONENTS SUPPLIED WITH BI SERIES UNITS MUST BE UTILIZED AS SPECIFIED IN THE INSTALLATION MANUAL. THE FRONT LEVELING LEGS OF A BI SERIES UNIT MUST BE EXTENDED TO THE FLOOR TO COMPLETE THE INSTALLATION. IF A BI SERIES UNIT WERE TO TIP AND FALL IT COULD CAUSE SERIOUS INJURY OR DEATH!

NOTES:

- The production grille assemblies **MUST** be removed before beginning.
- The dual installation heater assembly and the center trim piece **MUST** be attached to the right side of the unit that will be installed at the left side of the rough-in opening.
- The main frame shim **MUST** be attached to the left side of the unit that will be installed at the right side of the rough-in opening.

CONTAINS:

<u>QTY</u>	<u>DESCRIPTION</u>	<u>QTY</u>	<u>DESCRIPTION</u>
2	Spacer, 1/8" X .204 Id	1	Bracket, Dual Install Bottom
2	Bolt, #10-24 X 1/2" Roundhead	1	Bracket, Dual Grill Support
4	Bolt, Tensilock 5/16-18 X 3/4	1	Bracket, Dual Grill Slide
1	Clip, Cord Plastic 5/16 X 1/2	4	Screw, 5/16 X 3/4 Thread-Forming
6	Screw, #8-32 X 1/2 Pan Hd	1	Instructions,Dual Grill Kits
1	Screw, #10-12 X 1-1/4 Truss Hd	1	Kickplt, Blk 59.25 (7004808 & 7004810 Kits Only)
9	Screw, 10-12 X 3/4, 6-Lobe Ph	1	Kickplt, Black 65.5 (7012623 Kit Only)
1	Nut, Dual #10-24 X 1 (7001272)	1	Kickplt, Blk 71.75 (7004809 & 7004811 Kits Only)
4	Threaded Insert,5/16-18 Hx Opn	1	Kickplate, Stainless 59.7 (7004812 Kit Only)
1	Trim, Dual Install Center Short	1	Kickplate, Stainless 65.5 (7012624 Kit Only)
1	Grille, Dual Framed 60-1/4 (7004808 Kit Only)	1	Kickplate, Stainless 71.7 (7004813 Kit Only)
1	Grille, Dual Framed 72-1/4 (7004809 Kit Only)	1	Bracket, Dual Install Top
1	Grille, Dual Overlay 60-1/4 (7004810 Kit Only)	3	Bracket Assy,Dual Trim
1	Grille, Dual Overlay 66-1/4 (7012623 Kit Only)	1	Threaded Insert,Install Tool
1	Grille, Dual Overlay 72-1/4 (7004811 Kit Only)	1	Heater Assy, Dual Installation
1	Grille, Dual SS 60-1/4 (7004812 Kit Only)	1	Shim, Assy Main Frame
1	Grille, Dual SS 66-1/4 (7012624 Kit Only)	1	Bracket Assy, Magnet Center
1	Grille, Dual SS 72-1/4 (7004813 Kit Only)	2	Bracket Assy, Magnet Side
		6	Nut, 10-24 Hex Flange Lock



7004808, 7004809, 7004810, 7004811, 7004812, 7004813, 7012623, 7012624 (Instructions for Dual Grille Kits Listed Above)

A. Heater Installation Instructions

NOTE: Heater assembly **MUST** be attached to right side of left hand unit.

1. Clear foil from mounting holes of Heater Assembly.
2. Place heater against right side of unit with wires up and foil side in, positioning the heater 2" (51mm) from top edge of cabinet and 1" (25mm) from back edge of cabinet (See Figure 1).
3. Using the heater as a template, mark the heater mounting holes onto the cabinet with a pencil, then remove heater.
4. Drill a 7/64" (3 mm) hole at each location marked in step 3.

NOTE: To avoid drilling through inner liner, use a short drill bit inserted into drill chuck so no more than 1/2" (13 mm) to 3/4" (19 mm) of bit is protruding.

5. Attach heater to unit using the #8-32 X 1/2" Pan Head Screws at the holes just drilled.
6. Locate the panel mount 4-prong female receptacle at back side of power cord box, extract empty male safety plug from female receptacle, then insert heater's 4-prong male plug into female receptacle (See Figure 1).
7. Attach the 5/16 X 1/2 Plastic Cord Clip in a convenient location by the water filter then route excess heater wires through the clip as well as any other available wire clips.

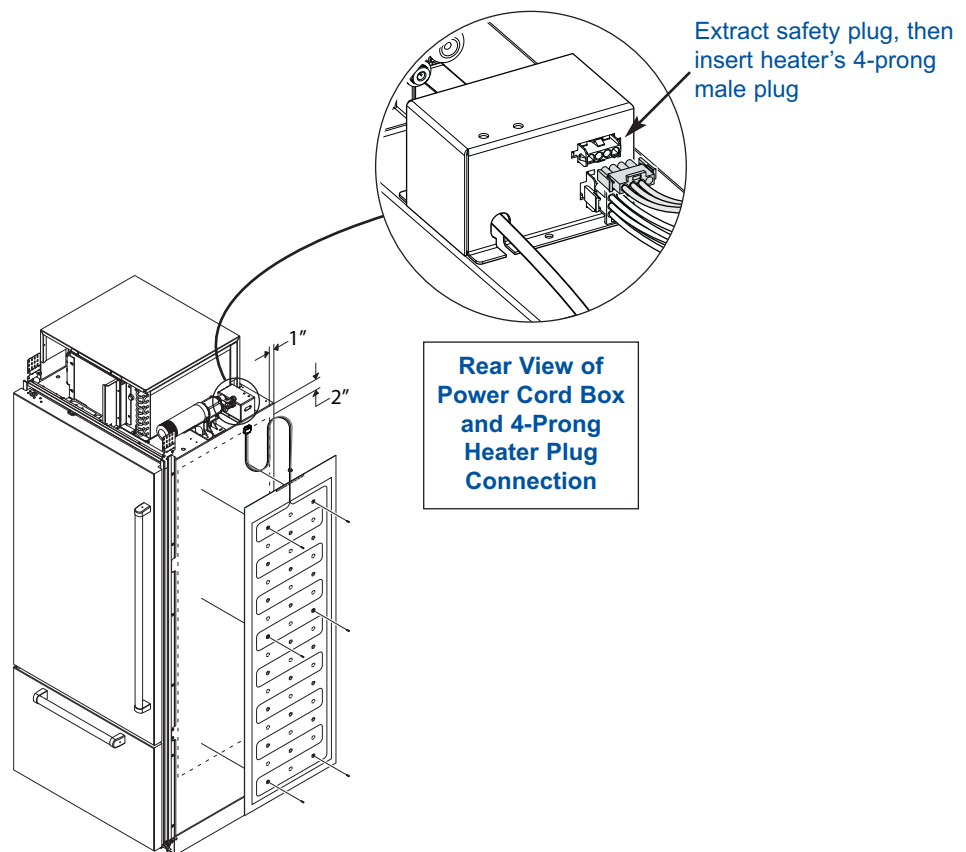


Figure 1. Heater Installation



7004808, 7004809, 7004810, 7004811, 7004812, 7004813, 7012623, 7012624 (Instructions for Dual Grille Kits Listed Above)

B. Center Trim Installation Instructions

NOTE: Assemble center trim piece and trim brackets first, then attach trim to right side of left hand unit.

1. Attach the three L-Shaped Dual Trim Bracket Assemblies to the Dual Install Center Trim Piece, using nuts provided. DO NOT tighten nuts at this time (See Figures 2).
2. With trim brackets loosely attached, hold center trim piece at about a 75° angle against right side main frame (See Figure 3). Then, rotate it toward the unit so the trim brackets hook in behind the main frame (See Figure 4), now align bottom of center trim piece with bottom of main frame and tighten nuts.

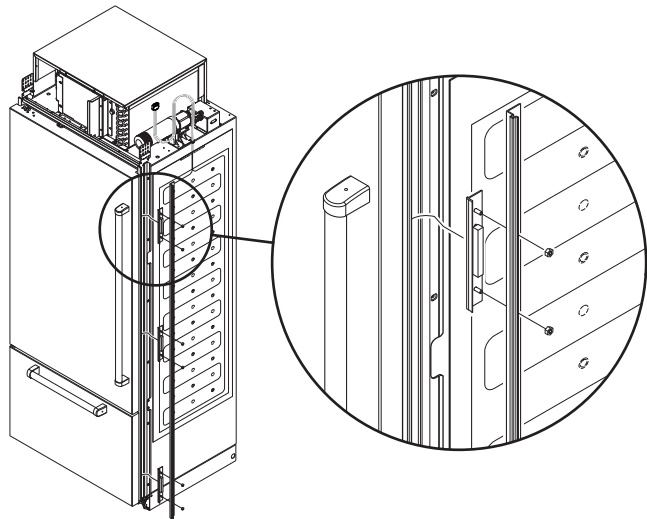


Figure 2. Center Trim and Trim Brackets

C. Install Unit into Left Side of Rough-in Opening

Install unit into left side of rough-in opening as specified in installation manual (See Figure 5).

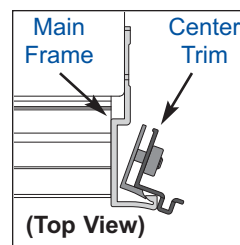


Figure 3.

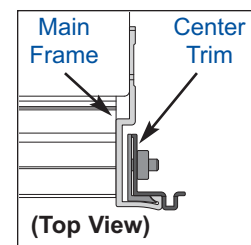


Figure 4.

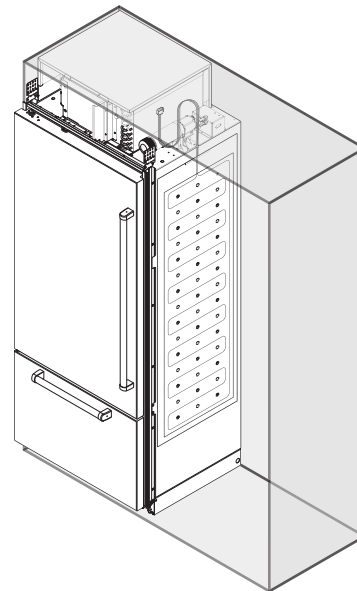


Figure 5. Left Hand Unit Installed



7004808, 7004809, 7004810, 7004811, 7004812, 7004813, 7012623, 7012624
(Instructions for Dual Grille Kits Listed Above)

D. Main Frame Shim Installation Instructions

NOTE: Shim Assembly **MUST** be attached to back of the left side main frame of the right hand unit.

1. Remove the left side mainframe from the right hand unit (See Figure 6).
2. Remove the backing paper from the double-stick tape that is attached to the main frame shim.
3. Align the two (2) holes in the shim parallel with the two (2) middle main frame mounting holes, and affix the shim to the main frame, making sure it is tight to the bend in the main frame, and that the holes are **NOT** concentrically aligned with the mounting holes (See Figure 6).
4. Reattach the left side mainframe to the right hand unit.

E. Install Second Unit to Right of First

Install, level and align unit until its main frame bumps against flange of center trim piece and bottom of main frame aligns with bottom of center trim piece (See Figures 7).

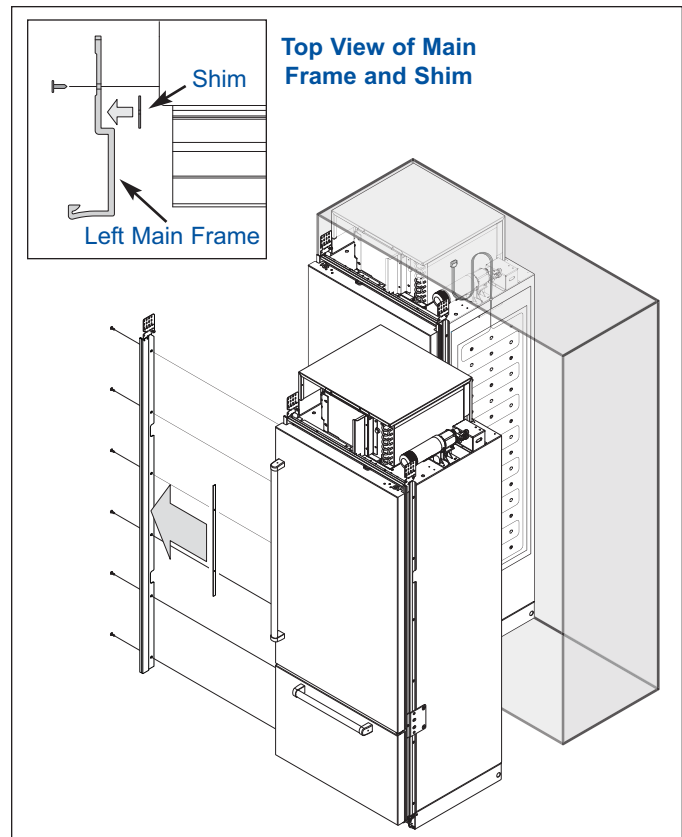


Figure 6. Left Main Frame Off and Shim Application

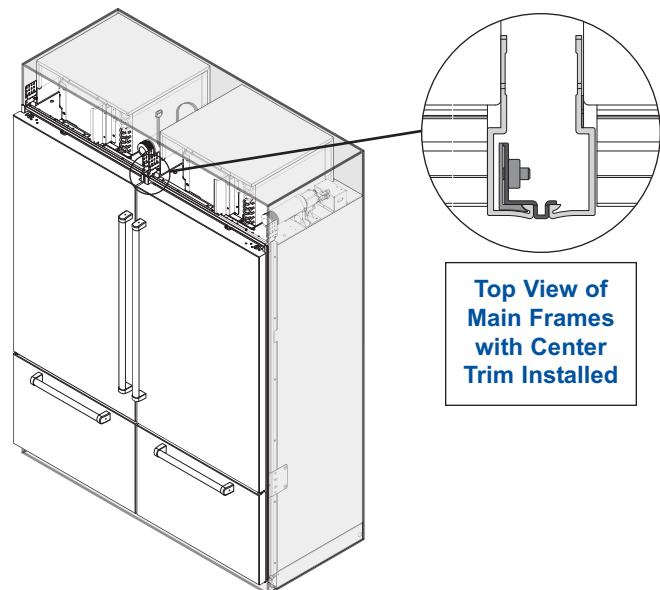


Figure 7. Both Units Installed



7004808, 7004809, 7004810, 7004811, 7004812, 7004813, 7012623, 7012624 (Instructions for Dual Grille Kits Listed Above)

F. Join Units Together at Bottom

1. All-Refrigerator and All-Freezer Models

- i. Using a 1/2" wrench, loosen the four bolts (2 each unit) at bottom adjoining corners of the appliances, leaving a 1/8" (3mm) to 1/4" (6mm) gap between bolt heads and unit shell bottom (See Figure 7).
- ii. Align the four notches of the Dual Installation Bottom Bracket with the four bolts at bottom adjoining corners of the appliances, push the bracket into position, then tighten the bolts (See Figure 8).

2. Over/Under Models

- i. Using a 1/2" wrench, install four 5/16" x 3/4" Thread-Forming Screws (2 each unit) at bottom adjoining corners of the appliances, but DO NOT tighten them, instead leave a 1/8" (3mm) to 1/4" (6mm) gap between bolt heads and unit shell bottom (See Figures 8).
- ii. Align the four notches of the Dual Installation bottom Bracket with the four bolts at bottom adjoining corners of the appliances, push the bracket into position, then tighten the bolts (See Figures 8).

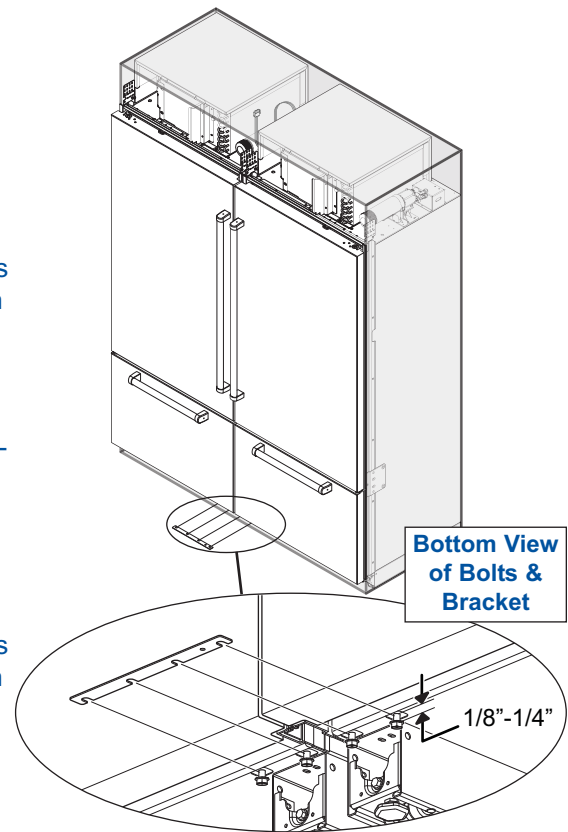


Figure 8. Join Units Together at bottom

G. Install Threaded Inserts at Top of Over/Under Models

NOTE: If working with all-refrigerator and/or all-freezer models the threaded inserts are already installed at the top. Skip instructions below and move onto Join Units Together at Top.

1. Locate the hexagonal shaped holes at the top adjoining corners of the units, two each unit. Then, use a small screwdriver or similar tool to remove foam insulation from each hole, to a depth of no more than 1/2" (13mm) deep.
2. Screw the Thread Insert Installation Tool into a Threaded Insert, then position the Threaded Insert over one of the hexagonal shaped holes and tap the Threaded Insert into the hole (See Figure 9).
3. Using a 1/2" wrench at the tool bolt top and a 9/16" open-end wrench at the collar, spin the tool bolt clockwise while holding the collar stationary. Stop when it will spin no further and remove the tool from the insert.
4. Repeat steps 1-3 above for each of the hexagonal shaped holes.

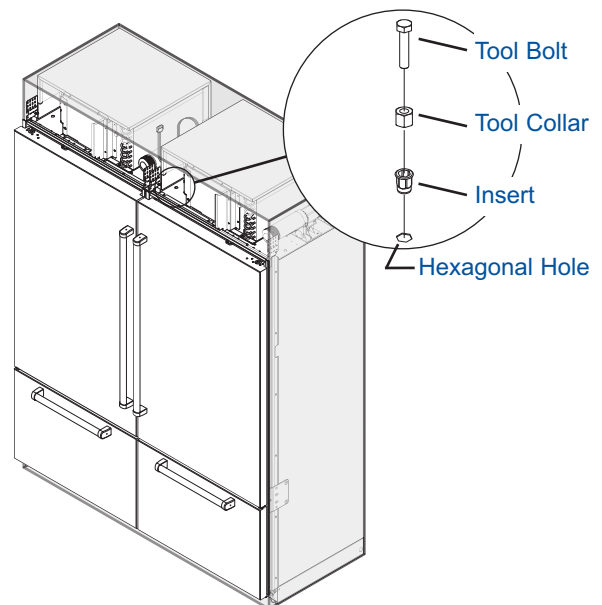


Figure 9. Threaded Insert Installation



7004808, 7004809, 7004810, 7004811, 7004812, 7004813, 7012623, 7012624 (Instructions for Dual Grille Kits Listed Above)

H. Join Units Together at Top

1. Working the Dual Installation Top Bracket from the side, line the holes of the top bracket up with the threaded inserts at the top adjoining corners of the appliances (See Figure 10).
2. Insert four 5-/16-18 X 3/4" Tensilock Bolts down through the bracket into the threaded inserts and tighten the bolts (See Figure 10).

I. Dual Grille Installation Instructions

Note: Both units must be properly installed and leveled, and the production grille assemblies must be removed before attempting to install the dual grille assembly. For overlay applications, install grille panel into grill frame as specified in installation manual at this time.

1. Install dual grille support bracket over top of grille installation brackets at adjoining top corners of the units (See Figure 11). Then, insert and tighten mounting screws, 2 each side.
2. Attach dual grille slide bracket to top back center of grille frame using the two #10-24X1/2" roundhead bolts, two 1/8"X.204 ID spacers and one dual nut provided (See Figure 12).

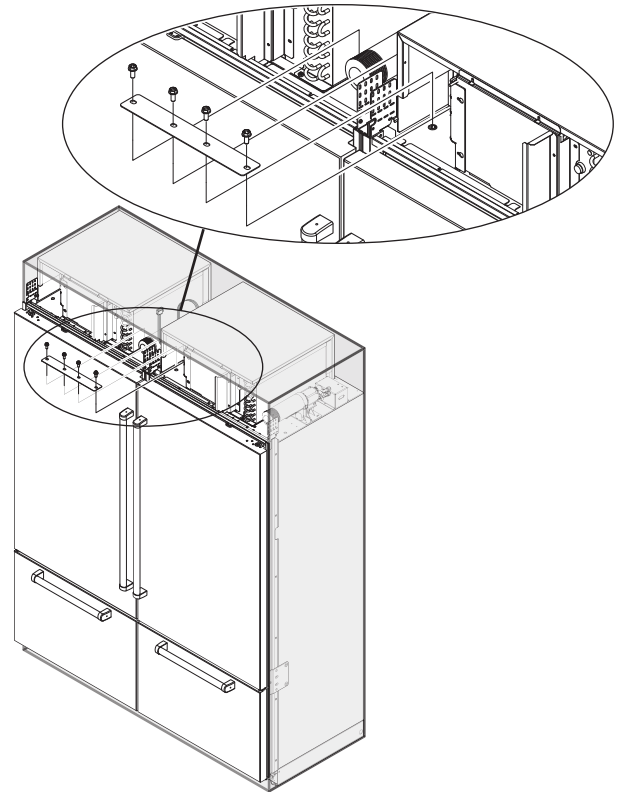


Figure 10. Join Units Together at Top

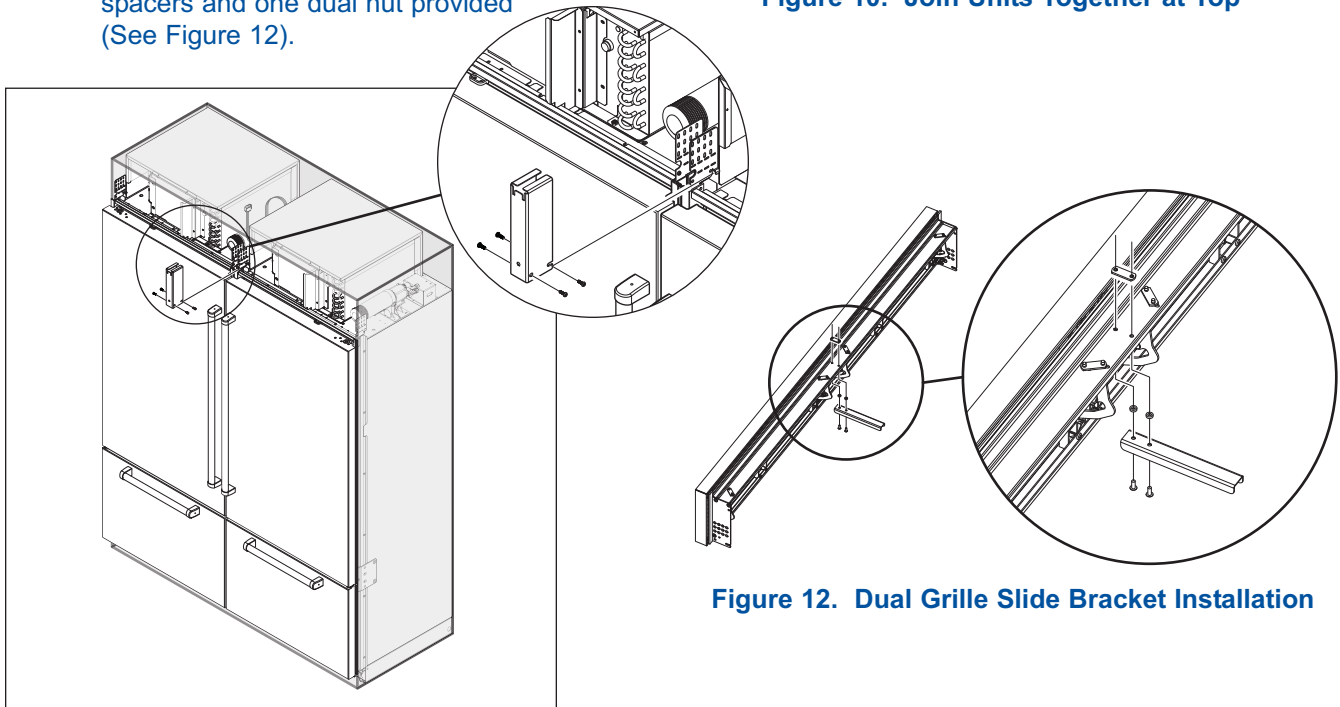


Figure 11. Install Support Bracket

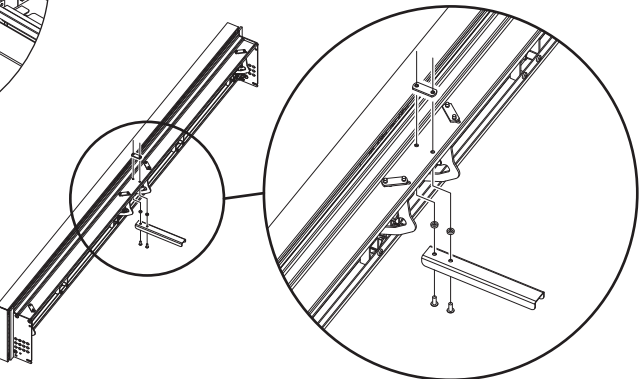


Figure 12. Dual Grille Slide Bracket Installation



7004808, 7004809, 7004810, 7004811, 7004812, 7004813, 7012623, 7012624 (Instructions for Dual Grille Kits Listed Above)

3. Lift dual grille assembly up, align slide bracket with slot of dual grille support bracket and push grille assembly toward units so that the slide bracket slides into the slot of the support bracket (See Figure 13).

NOTE: The interaction between the slide bracket and the support bracket allow the grille assembly to hang freely while making adjustments and connections at each end of the grille assembly.

4. With grille open, install and/or tighten all grille mounting screws at each end.

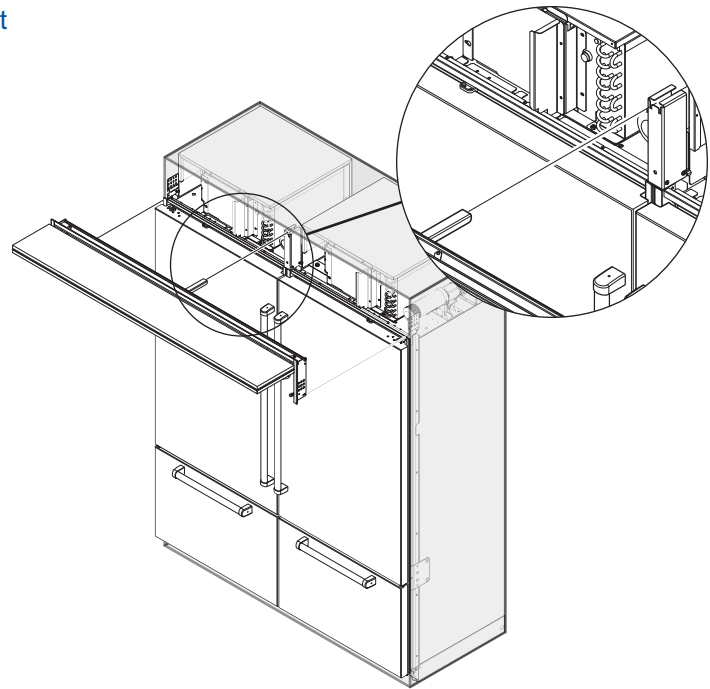


Figure 13. Install Dual Grille

J. Dual Kickplate Installation Instructions

Note: Both units must be properly installed and leveled before attempting to install the dual kickplate assembly.

1. Attach Magnetic Side Bracket Assemblies to the outer unit bases using #10-12 X 3/4" Six Lobe Screws, two per bracket (See Figure 14).
2. Attach Magnetic Center Bracket Assembly to the inner unit bases using two #10-12 X 3/4" Six Lobe Screws, one at each side (See Figure 14).
3. Align Kickplate with magnets, then push kickplate toward units until magnets attract kickplate (See Figure 14).
4. Insert the #10-12 X 1-1/4" Truss Head Screw through the hole at top center of kickplate into the slot of magnetic center bracket assembly, then tighten the screw (See Figure 14).

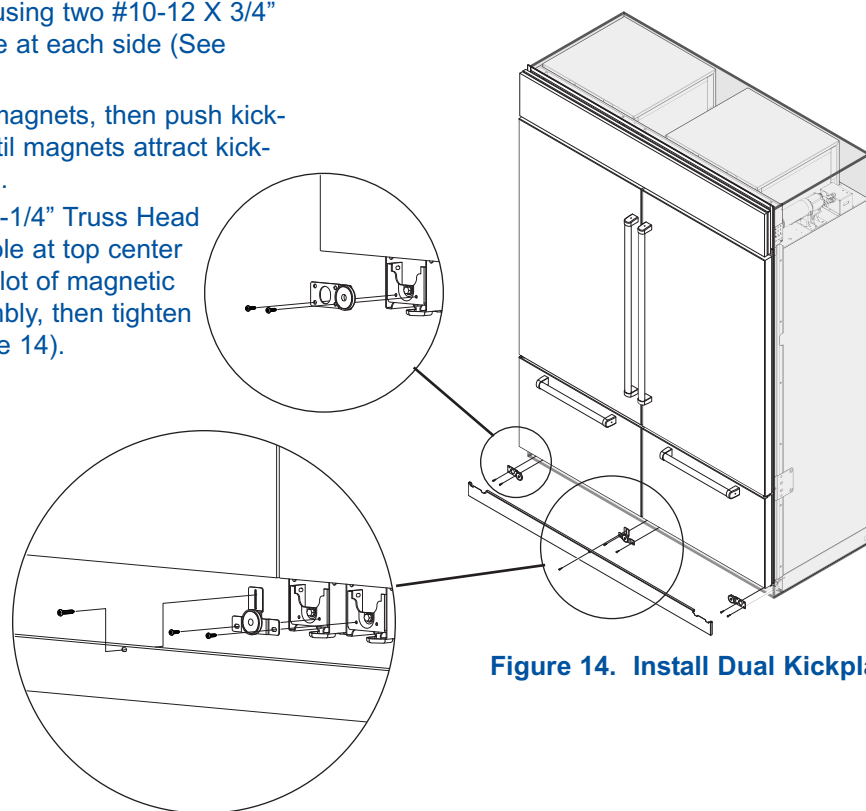


Figure 14. Install Dual Kickplate

