

Assembly Instruction for

SIDE CHAIR

1319DV-S

Caution: Please read instructions thoroughly before unpacking assembly parts. Sharp, exposed staple tips can cause injury, therefore, for your protection, please remove any exposed staples used in packing.

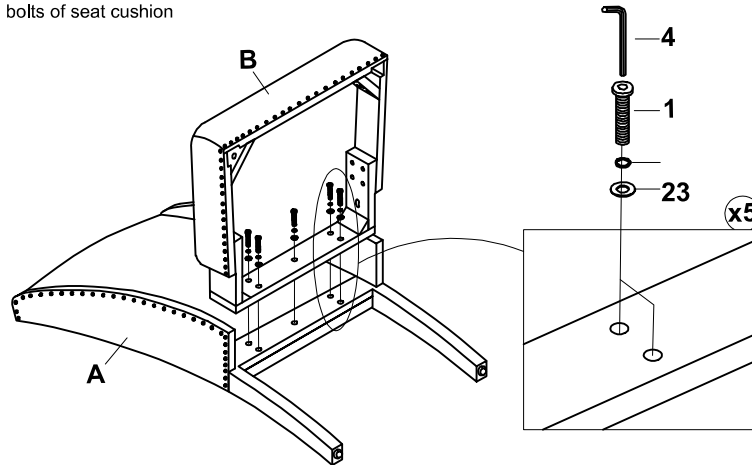
1. We recommend that you should assemble this product with the assistance of another person, this will make assembly easier, and will help to eliminate damage to the product or injury to persons during assembly.
2. Be sure to check all packing materials carefully for small parts that may have come loose inside the carton during shipment.
3. Please put all parts on a non-abrasive floor before assembly, and follow the assembly steps to assemble your newly purchased product correctly and efficiently.
4. Please do not fully tighten any screws or bolts until last step.
5. Periodically check to ensure that all connectors (bolts, screw, etc) are tight.

PART LIST		
No.	PART DESC	Q'TY
A	BACK FRAME	1
B	CUSHION WITH FRAME	1
C	FRONT LEG	2

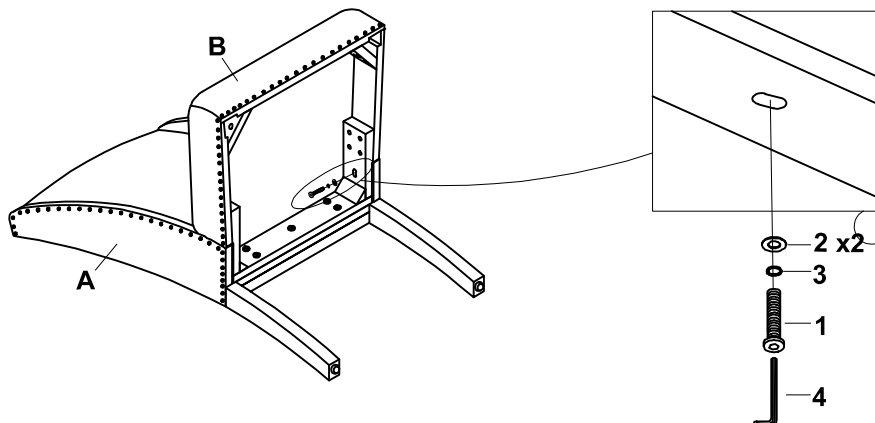
HARDWARE LIST		
No.	HARDWARE DESC	Q'TY
1	ALLEN BOLT (5/16*50mm)	11
2	FLAT WASHER (5/16*22*1.5mm)	11
3	SPRING WASHER (5/16)	11
4	ALLEN KEY (M5*60mm)	1

⚠ Only tighten all bolts when all bolts aligned with bolt inserts.

STEP 1: Do not tighten the bolts of seat cushion with back rest.

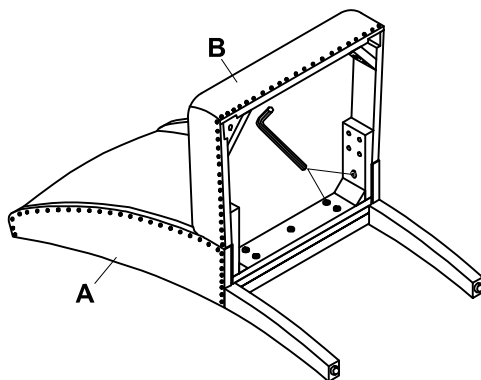


STEP 2: Do not tighten the bolts from side seat cushion with the bottom wing of back rest.

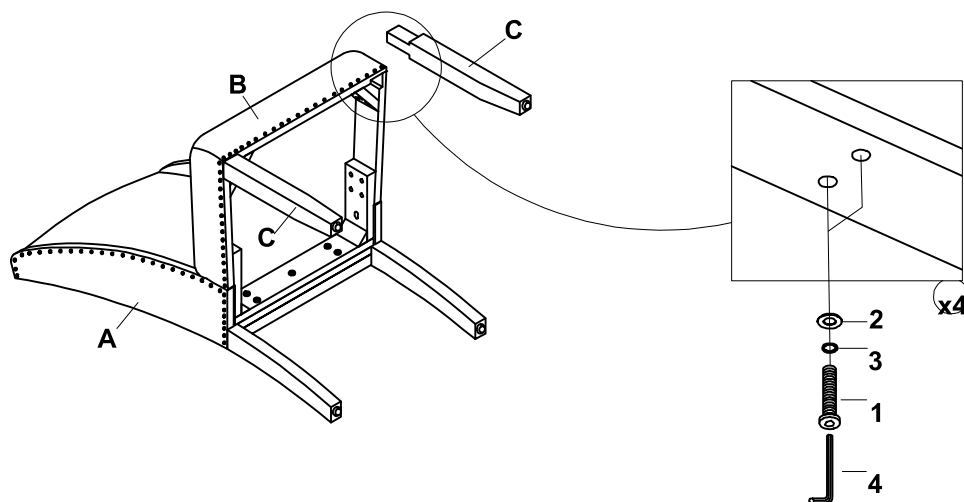


Assembly Instruction for
SIDE CHAIR
1319DV-S

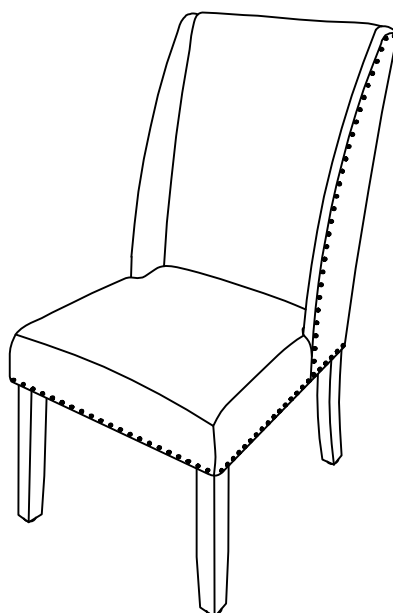
STEP 3: Adjust all bolt and tighten



STEP 4: Tighten screw until last step



STEP 5: Completed



NOTE : Periodically check to ensure that all connectors (bolt, screws, etc.) are tight.