

INSTALLATION INSTRUCTIONS 600 CFM AND 1200 CFM IN-LINE BLOWERS FOR RANGE HOODS

INSTRUCTIONS D'INSTALLATION VENTILATEURS EN LIGNE AVEC DÉBIT DE 600 PI³ ET 1200 PI³ POUR HOTTES D'ÉVACUATION

Table of Contents/Table des matières

IN-LINE BLOWER SAFETY	1	SÉCURITÉ DU VENTILATEUR EN LIGNE	11
INSTALLATION REQUIREMENTS	3	EXIGENCES D'INSTALLATION	13
Tools and Parts	3	Outils et pièces.....	13
Location Requirements	3	Exigences d'emplacement.....	13
Venting Requirements	4	Exigences concernant l'évacuation	14
Electrical Requirements	5	Spécifications électriques	15
INSTALLATION INSTRUCTIONS	6	INSTRUCTIONS D'INSTALLATION	16
Prepare Location	6	Préparation de l'emplacement.....	16
Make Electrical Connection	7	Raccordement électrique.....	17
ASSISTANCE OR SERVICE	9	ASSISTANCE OU SERVICE	19
In the U.S.A.....	9	Au Canada.....	19
In Canada	9	GARANTIE	20
WARRANTY	10		

IN-LINE BLOWER SAFETY

Your safety and the safety of others are very important.

We have provided many important safety messages in this manual and on your appliance. Always read and obey all safety messages.



This is the safety alert symbol.

This symbol alerts you to potential hazards that can kill or hurt you and others.

All safety messages will follow the safety alert symbol and either the word "DANGER" or "WARNING."

These words mean:

⚠ DANGER

You can be killed or seriously injured if you don't immediately follow instructions.

⚠ WARNING

You can be killed or seriously injured if you don't follow instructions.

All safety messages will tell you what the potential hazard is, tell you how to reduce the chance of injury, and tell you what can happen if the instructions are not followed.

**IMPORTANT: READ AND SAVE THESE INSTRUCTIONS.
FOR RESIDENTIAL USE ONLY.**

**IMPORTANT : LIRE ET CONSERVER CES INSTRUCTIONS.
POUR UTILISATION RÉSIDENNELLE UNIQUEMENT.**

IMPORTANT SAFETY INSTRUCTIONS

WARNING: TO REDUCE THE RISK OF FIRE, ELECTRIC SHOCK, OR INJURY TO PERSONS, OBSERVE THE FOLLOWING:

- Use this unit only in the manner intended by the manufacturer. If you have questions, contact the manufacturer.
- Before servicing or cleaning the unit, switch power off at service panel and lock the service disconnecting means to prevent power from being switched on accidentally. When the service disconnecting means cannot be locked, securely fasten a prominent warning device, such as a tag, to the service panel.
- Installation work and electrical wiring must be done by qualified person(s) in accordance with all applicable codes and standards, including fire-rated construction.
- Do not operate any fan with a damaged cord or plug. Discard fan or return to an authorized service facility for examination and/or repair.
- Sufficient air is needed for proper combustion and exhausting of gases through the flue (chimney) of fuel burning equipment to prevent backdrafting. Follow the heating equipment manufacturer's guideline and safety standards such as those published by the National Fire Protection Association (NFPA), the American Society for Heating, Refrigeration and Air Conditioning Engineers (ASHRAE), and the local code authorities.
- When cutting or drilling into wall or ceiling; do not damage electrical wiring and other utilities.
- Ducted fans must always be vented outdoors.

CAUTION: For general ventilating use only. Do not use to exhaust hazardous or explosive materials and vapors.

CAUTION: To reduce risk of fire and to properly exhaust air, be sure to duct air outside - do not vent exhaust air into spaces within walls or ceilings, attics or into crawl spaces, or garages.

WARNING: TO REDUCE THE RISK OF FIRE, USE ONLY METAL DUCTWORK.

WARNING: TO REDUCE THE RISK OF A RANGE TOP GREASE FIRE:

- Never leave surface units unattended at high settings. Boilovers cause smoking and greasy spillovers that may ignite. Heat oils slowly on low or medium settings.
- Always turn hood ON when cooking at high heat or when flambeing food (i.e. Crepes Suzette, Cherries Jubilee, Peppercorn Beef Flambé).
- Clean ventilating fans frequently. Grease should not be allowed to accumulate on fan or filter.
- Use proper pan size. Always use cookware appropriate for the size of the surface element.

WARNING: TO REDUCE THE RISK OF INJURY TO PERSONS IN THE EVENT OF A RANGE TOP GREASE FIRE, OBSERVE THE FOLLOWING:^a

- SMOTHER FLAMES with a close fitting lid, cookie sheet, or metal tray, then turn off the burner. BE CAREFUL TO PREVENT BURNS. If the flames do not go out immediately, EVACUATE AND CALL THE FIRE DEPARTMENT.
- NEVER PICK UP A FLAMING PAN - you may be burned.
- DO NOT USE WATER, including wet dishcloths or towels - a violent steam explosion will result.
- Use an extinguisher ONLY if:
 - You know you have a class ABC extinguisher, and you already know how to operate it.
 - The fire is small and contained in the area where it started.
 - The fire department is being called.
 - You can fight the fire with your back to an exit.

^aBased on "Kitchen Fire Safety Tips" published by NFPA.

- **WARNING:** To reduce the risk of fire or electrical shock, do not use this fan with any solid-state speed control device.

READ AND SAVE THESE INSTRUCTIONS

INSTALLATION REQUIREMENTS

Tools and Parts

Gather the required tools and parts before starting installation. Read and follow the instructions provided with any tools listed here.

Tools needed

- Drill
- 1¼" (3 cm) drill bit
- ⅜" (0.5 cm) drill bit
- Pencil
- Wire stripper or utility knife
- Tape measure or ruler
- Pliers
- Caulking gun and weatherproof caulking compound
- Vent clamps
- Jigsaw or keyhole saw
- Flat-blade screwdriver
- Metal snips
- Phillips screwdriver

Parts needed

- ½" (1.3 cm) UL listed or CSA approved wiring conduit and connectors
- 6 - 18 AWG wires, one each of the following colors: black, white, red, blue, gray, and green or green/yellow (ground)

NOTE: The length of the conduit and 18 AWG wires is determined by the distance between the in-line blower motor and range hood terminal boxes.

- 11 - UL listed wire connectors
- ½" (1.3 cm) UL listed or CSA approved strain relief

Parts supplied

Remove parts from packages. Check that all parts are included.

- 4 - 6.3 x 60 mm mounting screws
- 4 - flat washers
- 6-wire connector assembly for range hood
- 2 - strain relief connectors
- 1 - strain relief bushing

Location Requirements

IMPORTANT: Observe all governing codes and ordinances.

Have a qualified technician install the in-line blower motor system.

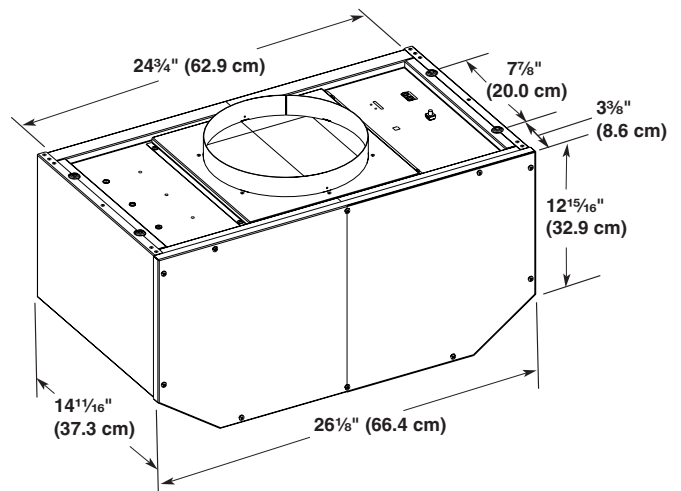
All openings in the ceiling and wall where the in-line blower motor system will be installed must be sealed.

For Mobile Home Installations

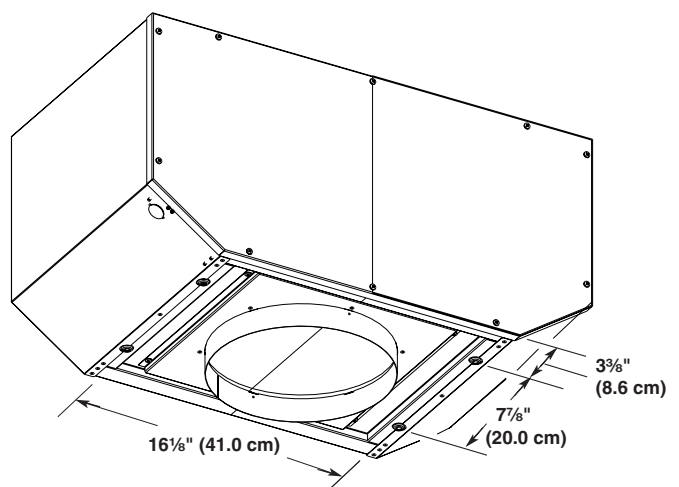
The installation of this in-line blower motor system must conform to the Manufactured Home Construction Safety Standards, Title 24 CFR, Part 328 (formerly the Federal Standard for Mobile Home Construction and Safety, Title 24, HUD, Part 280) or when such standard is not applicable, the standard for Manufactured Home Installation 1982 (Manufactured Home Sites, Communities and Setups) ANSI A225.1/NFPA 501A*, or latest edition, or with local codes.

Product Dimensions

Top (outlet) view



Bottom (inlet) view



Venting Requirements

- The vent system must terminate to the outdoors.
- Do not terminate the vent system in an attic or other enclosed area.
- Do not use 4" (10.2 cm) laundry-type vent or wall caps.
- Use round, metal vent only. Rigid metal vent is recommended. Plastic or metal foil vent is not recommended.
- The length of the vent system and number of elbows should be kept to a minimum to provide efficient performance.

For the most efficient and quiet operation:

- Use no more than three 90° elbows.
- Make sure there is a minimum of 24" (61.0 cm) of straight vent between the elbows if more than 1 elbow is used.
- Do not install 2 elbows together.
- Use clamps to seal all joints in the vent system.
- The vent system must have a damper.
- Use weatherproof caulking to seal the exterior wall or roof opening around the cap.
- The size of the vent should be uniform.

Cold weather installations

An additional back draft damper should be installed to minimize backward cold air flow and a thermal break should be installed to minimize conduction of outside temperatures as part of the vent system. The damper should be on the cold air side of the thermal break.

The thermal break should be as close as possible to where the vent system enters the heated portion of the house.

Makeup air

Local building codes may require the use of makeup air systems when using ventilation systems greater than the specified CFM of air movement. The specified CFM varies from locale to locale. Consult your HVAC professional for specific requirements in your area.

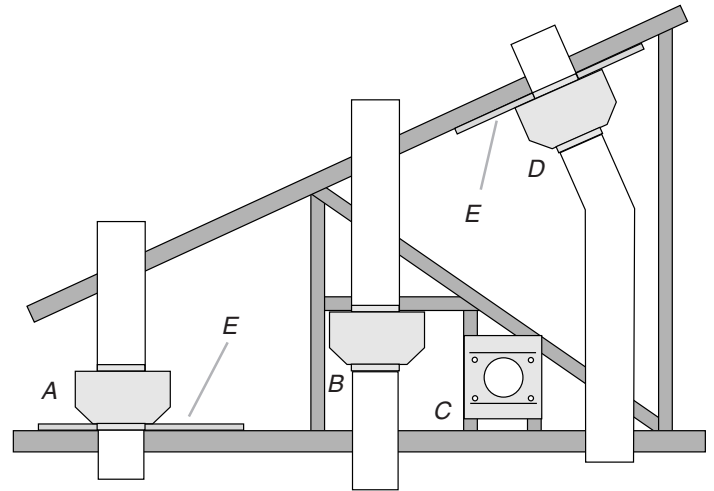
Typical In-line Blower System Installations

A 10" (25.4 cm) round vent system is needed for installation (not included). The in-line blower system inlet and outlet openings are 10" (25.4 cm) round. The exhaust (outlet) opening on the range hood must also be 10" (25.4 cm) round.

NOTE: Flexible vent is not recommended. Flexible vent creates back pressure and air turbulence that greatly reduce performance.

The vent system can terminate either through the roof or wall.

NOTE: Plywood may be used as a mounting base to span open areas between ceiling joists and rafters. If used, be sure to use plywood capable of supporting the weight of the in-line blower system (50 lb [22.6 kg]).



A. Mount on top of ceiling joists.

B. Mount from cross-members tied to trusses.



C. Duct horizontal, mount to cross-members tied to trusses.

D. Mount on underside of rafters.

E. Plywood

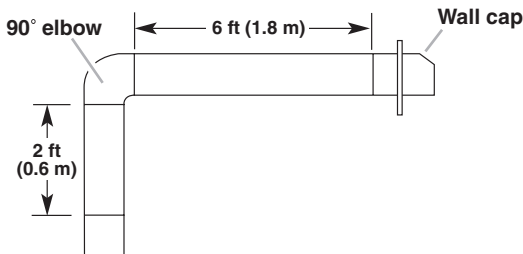
Calculating Vent System Length

To calculate the length of the system you need, add the equivalent feet (meters) for each vent piece used in the system.

Vent Piece	Equivalent Length	
45° elbow	2.5 ft (0.8 m)	
90° elbow	5.0 ft (1.5 m)	

The maximum equivalent vent lengths are:
10" (25.4 cm) round vents - 60 ft (18.3 m)

Example vent system



The following example falls within the maximum recommended vent length.

1 - 90° elbow	= 5.0 ft (1.5 m)
1 - wall cap	= 0.0 ft (0.0 m)
8 ft (2.4 m) straight	= 8.0 ft (2.4 m)
Length of system	= 13.0 ft (3.9 m)

Electrical Requirements

Observe all governing codes and ordinances.

Ensure that the electrical installation is adequate and in conformance with National Electrical Code, ANSI/NFPA 70 (latest edition), or CSA Standards C22.1-94, Canadian Electrical Code, Part 1 and C22.2 No. 0-M91 (latest edition) and all local codes and ordinances.

If codes permit and a separate ground wire is used, it is recommended that a qualified electrician determine that the ground path is adequate.

A copy of the above code standards can be obtained from:

National Fire Protection Association
One Batterymarch Park
Quincy, MA 02269

CSA International
8501 East Pleasant Valley Road
Cleveland, OH 44131-5575

- A 120 volt, 60 Hz., AC only, 15-amp, fused electrical circuit is required.
- If the house has aluminum wiring, follow the procedure below:
 1. Connect a section of solid copper wire to the pigtail leads.
 2. Connect the aluminum wiring to the added section of copper wire using special connectors and/or tools designed and UL listed for joining copper to aluminum.

Follow the electrical connector manufacturer's recommended procedure. Aluminum/copper connection must conform with local codes and industry accepted wiring practices.
- Wire sizes and connections must conform with the rating of the appliance as specified on the model/serial rating plate. The model/serial plate is located behind the filter on the rear wall of the range hood.
- Wire sizes must conform to the requirements of the National Electrical Code, ANSI/NFPA 70 (latest edition), or CSA Standards C22. 1-94, Canadian Electrical Code, Part 1 and C22.2 No. 0-M91 (latest edition) and all local codes and ordinances.

INSTALLATION INSTRUCTIONS

Prepare Location

- Before making cutouts, make sure there is proper clearance within the ceiling or wall for the exhaust vent.
 - When cutting or drilling into the ceiling or wall, do not damage electrical wiring or other hidden utilities.
 - Check that all installation parts have been removed from the shipping carton.
1. Disconnect power.
 2. Determine which venting method to use: roof or wall exhaust.

⚠ WARNING

Excessive Weight Hazard

Use two or more people to move and install range hood.

Failure to do so can result in back or other injury.

3. Using 2 or more people, move the in-line blower motor system to the mounting location.

Prepare for Mounting the In-line Blower System

The in-line blower system must be fastened to a secure structure of the roof, ceiling, wall, floor, or new or existing frame construction. The 4 holes on either the inlet (bottom) side or the outlet (top) side of the blower must be used to mount the in-line blower system to the structure.

NOTE: The mounting hole locations must span the studs. Additional stud framing may be required. Plywood may be used to span open areas between ceiling joists or roof rafters to aid installation. This structure must be strong enough to support the weight of the in-line blower system (50 lb [22.6 kg] min).

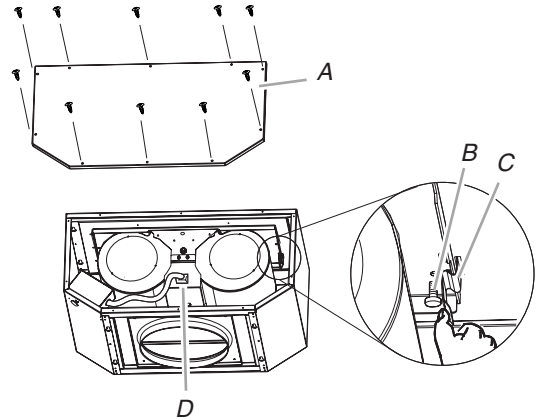
Prepare the In-line Blower System

1. Remove the 10 screws from the front cover of the in-line blower motor housing and set them aside.
2. Remove the front cover of the in-line blower motor housing and set it aside.

NOTE: To make the blower motor housing easier to mount, the blower motor assembly can be removed. If you do not want to remove the blower motor assembly, proceed to the "Installation of the In-line Blower System" section.

3. Disconnect the motor electrical plug from the blower motor assembly.
4. Remove the screws that secure the blower motor assembly to the in-line blower housing and set them aside.

5. Pull the spring clip to release the blower motor assembly. Remove the blower motor assembly from the housing and place it on a covered surface.

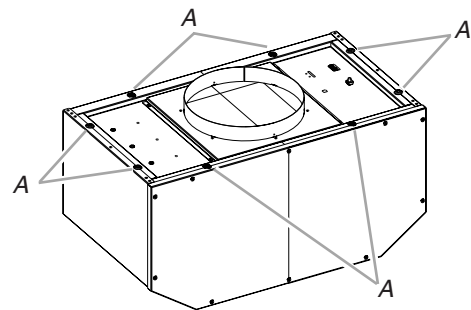


A. Front cover
B. Blower mounting screws
C. Spring clip
D. Motor electrical plug

Installation of the In-line Blower System

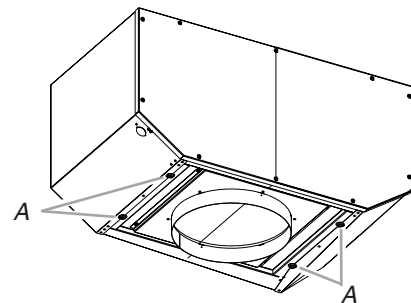
NOTE: The blower motor housing can be mounted using 4 holes from either the outlet side or the inlet side of the blower.

Outlet Side:



A. Mounting holes

Inlet Side:



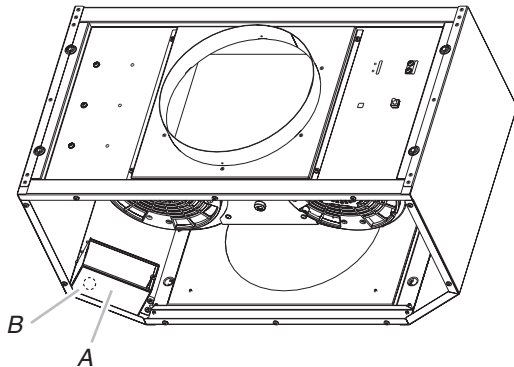
A. Mounting holes

1. Position the in-line blower motor housing in its mounting location and mark the 4 mounting hole locations.

2. Drill 4 mounting pilot holes using a $\frac{3}{16}$ " (0.5 cm) drill bit.
3. Attach the in-line blower motor housing to the mounting location with four 6.3 x 60 mm mounting screws and washers.
4. If removed, reinstall the blower motor assembly and secure it with the screws previously removed.
5. If removed, reattach the motor electrical plug to the connector on the blower motor assembly.

Complete Preparation

1. Determine and make all necessary cuts for the vent system.
IMPORTANT: When cutting or drilling into the ceiling or wall, do not damage electrical wiring or other hidden utilities.
2. Determine the location where the $\frac{1}{2}$ " (1.3 cm) wiring conduit will be routed through the ceiling or wall.
3. Drill a $\frac{1}{4}$ " (3.2 cm) hole at this location.
4. Locate the electrical terminal boxes in the in-line blower housing and range hood (see the range hood installation instructions). Remove the terminal box covers and set the covers and screws aside.



A. Electrical terminal box
B. Electrical knockout

5. Remove the electrical knockout from the in-line blower housing and range hood (see the range hood installation instructions) to prepare for the installation of the UL listed or CSA approved $\frac{1}{2}$ " (1.3 cm) wiring conduit and conduit connector.
6. With the range hood mounted (see the range hood installation instructions), run the $\frac{1}{2}$ " (1.3 cm) wiring conduit between the in-line blower motor housing and the range hood. Pull enough $\frac{1}{2}$ " (1.3 cm) wiring conduit to allow for easy connection to the terminal boxes in the in-line blower housing and range hood.
7. Run the six 18 AWG wires through the $\frac{1}{2}$ " wiring conduit and conduit connectors and into the terminal boxes on the in-line blower housing and range hood. Leave enough wire length in each terminal box to make the wiring connections.
8. Install the conduit connectors and conduit to the in-line blower housing and range hood electrical terminal boxes.
9. Connect the vent system to the range hood and in-line blower system and seal all joints with clamps.

Make Electrical Connection

WARNING



Electrical Shock Hazard

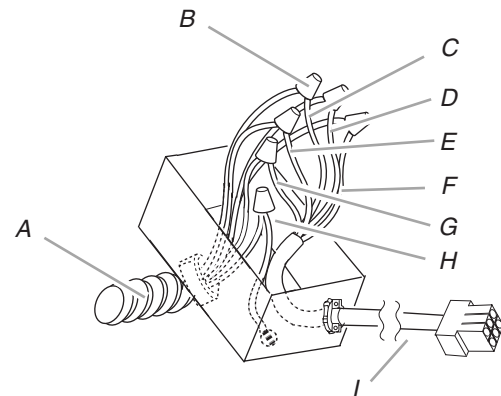
Disconnect power before servicing.

Replace all parts and panels before operating.

Failure to do so can result in death or electrical shock.

Electrical Connection Inside In-line Blower System

1. Disconnect power.
2. Connect the wires from the wiring conduit to the wires from the motor electrical plug cable inside the in-line blower housing terminal box.



A. UL listed or CSA approved
 $\frac{1}{2}$ " wiring conduit
B. UL listed wire connectors
C. Black wires
D. White wires
E. Red wires

F. Blue wires
G. Gray wires
H. Green (or yellow/green)
and green/yellow wires
I. Motor electrical plug cable

3. Use UL listed wire connectors and connect the black wires (C) together.
4. Use UL listed wire connectors and connect the white wires (D) together.
5. Use UL listed wire connectors and connect the red wires (E) together.
6. Use UL listed wire connectors and connect the blue wires (F) together.
7. Use UL listed wire connectors and connect the gray wires (G) together.

⚠ WARNING



Electrical Shock Hazard

Electrically ground blower.

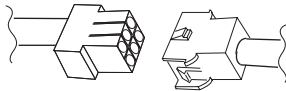
Connect ground wire to green and yellow ground wire in terminal box.

Failure to do so can result in death or electrical shock.

8. Connect the green (or yellow/green) ground wire to the green/yellow ground wire (H) in the terminal box using UL listed wire connectors.
9. Reinstall the in-line blower terminal box cover and screw.
10. Reinstall the front cover of the in-line blower housing and secure it with 10 mounting screws.

Electrical Connection Inside Range Hood Between In-line Blower System and Range Hood

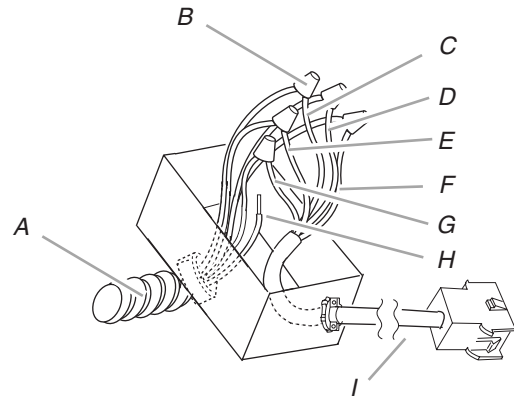
1. With the range hood mounted (see the range hood installation instructions), locate the wiring cable connector inside the range hood.
2. Connect the 6-wire connector assembly supplied with the in-line blower motor system to the mating cable connector from the range hood.



3. Locate the terminal box inside the range hood and install a 1/2" (1.3 cm) UL listed or CSA approved strain relief (see the range hood installation instructions).

4. Run the wire ends from the 6-wire connector assembly through the 1/2" (1.3 cm) strain relief, leaving enough wire length to make the wiring connections. Tighten the strain relief screws.
5. Connect the wires from the 6-wire connector assembly to the wires from the wiring conduit inside the range hood terminal box.
6. Connect the same color wires to each other (black to black, white to white, etc.) using UL listed wire connectors.

NOTE: Connect the green (or green/yellow) ground wire from the wiring conduit to the green (or bare) ground wire from the home power supply using UL listed wire connectors (see the "Make Electrical Power Supply Connections to Range Hood" section in the range hood installation instructions).



A. UL listed or CSA approved
1/2" wiring conduit

B. UL listed wire connectors

C. Black wires

D. White wires

E. Red wires

F. Blue wires

G. Gray wires

H. Green (or green/yellow)
wire

I. 6-wire connector assembly

7. Connect the home power supply wiring to the range hood following the instructions that are supplied with the range hood.
8. Reinstall the range hood terminal box cover.
9. Reconnect power.

ASSISTANCE OR SERVICE

When calling for assistance or service, please know the purchase date and the complete model and serial number of your appliance. This information will help us to better respond to your request.

If you need replacement parts

If you need to order replacement parts, we recommend that you use only factory specified parts. Factory specified parts will fit right and work right because they are made with the same precision used to build every new appliance. To locate factory specified replacement parts in your area, call us or your nearest designated service center.

In the U.S.A.

Call the Whirlpool Customer eXperience Center toll free: **1-800-253-1301**.

Our consultants provide assistance with:

- Features and specifications on our full line of appliances.
- Installation information.
- Use and maintenance procedures.
- Accessory and repair parts sales.
- Specialized customer assistance (Spanish speaking, hearing impaired, limited vision, etc.).
- Referrals to local dealers, repair parts distributors and service companies. Whirlpool designated service technicians are trained to fulfill the product warranty and provide after-warranty service, anywhere in the United States.

To locate the Whirlpool designated service company in your area, you can also look in your telephone directory Yellow Pages.

For further assistance

If you need further assistance, you can write to Whirlpool Corporation with any questions or concerns at:

Whirlpool Brand Home Appliances
Customer eXperience Center
553 Benson Road
Benton Harbor, MI 49022-2692

Please include a daytime phone number in your correspondence.

In Canada

Call the Whirlpool Canada LP Customer eXperience Centre toll free: **1-800-807-6777**.

Our consultants provide assistance with:

- Features and specifications on our full line of appliances.
- Use and maintenance procedures.
- Accessory and repair parts sales.
- Referrals to local dealers, repair parts distributors, and service companies. Whirlpool Canada LP designated service technicians are trained to fulfill the product warranty and provide after-warranty service, anywhere in Canada.

For further assistance

If you need further assistance, you can write to Whirlpool Canada LP with any questions or concerns at:

Customer eXperience Centre
Whirlpool Canada LP
200 - 6750 Century Ave.
Mississauga, Ontario L5N 0B7

Please include a daytime phone number in your correspondence.

WHIRLPOOL CORPORATION MAJOR APPLIANCE WARRANTY

LIMITED WARRANTY

For one year from the date of purchase, when this major appliance is operated and maintained according to instructions attached to or furnished with the product, Whirlpool Corporation or Whirlpool Canada LP (hereafter "Whirlpool") will pay for Factory Specified Parts and repair labor to correct defects in materials or workmanship. Service must be provided by a Whirlpool designated service company. This limited warranty is valid only in the United States or Canada and applies only when the major appliance is used in the country in which it was purchased. Outside the 50 United States and Canada, this limited warranty does not apply. Proof of original purchase date is required to obtain service under this limited warranty.

ITEMS EXCLUDED FROM WARRANTY

This limited warranty does not cover:

1. Service calls to correct the installation of your major appliance, to instruct you on how to use your major appliance, to replace or repair house fuses, or to correct house wiring or plumbing.
2. Service calls to repair or replace appliance light bulbs, air filters or water filters. Consumable parts are excluded from warranty coverage.
3. Repairs when your major appliance is used for other than normal, single-family household use or when it is used in a manner that is contrary to published user or operator instructions and/or installation instructions.
4. Damage resulting from accident, alteration, misuse, abuse, fire, flood, acts of God, improper installation, installation not in accordance with electrical or plumbing codes, or use of consumables or cleaning products not approved by Whirlpool.
5. Cosmetic damage, including scratches, dents, chips or other damage to the finish of your major appliance, unless such damage results from defects in materials or workmanship and is reported to Whirlpool within 30 days from the date of purchase.
6. Any food loss due to refrigerator or freezer product failures.
7. Costs associated with the removal from your home of your major appliance for repairs. This major appliance is designed to be repaired in the home and only in-home service is covered by this warranty.
8. Repairs to parts or systems resulting from unauthorized modifications made to the appliance.
9. Expenses for travel and transportation for product service if your major appliance is located in a remote area where service by an authorized Whirlpool servicer is not available.
10. The removal and reinstallation of your major appliance if it is installed in an inaccessible location or is not installed in accordance with published installation instructions.
11. Major appliances with original model/serial numbers that have been removed, altered or cannot be easily determined. This warranty is void if the factory applied serial number has been altered or removed from your major appliance.

The cost of repair or replacement under these excluded circumstances shall be borne by the customer.

DISCLAIMER OF IMPLIED WARRANTIES; LIMITATION OF REMEDIES

CUSTOMER'S SOLE AND EXCLUSIVE REMEDY UNDER THIS LIMITED WARRANTY SHALL BE PRODUCT REPAIR AS PROVIDED HEREIN. IMPLIED WARRANTIES, INCLUDING WARRANTIES OF MERCHANTABILITY OR FITNESS FOR A PARTICULAR PURPOSE, ARE LIMITED TO ONE YEAR OR THE SHORTEST PERIOD ALLOWED BY LAW. WHIRLPOOL SHALL NOT BE LIABLE FOR INCIDENTAL OR CONSEQUENTIAL DAMAGES. SOME STATES AND PROVINCES DO NOT ALLOW THE EXCLUSION OR LIMITATION OF INCIDENTAL OR CONSEQUENTIAL DAMAGES, OR LIMITATIONS ON THE DURATION OF IMPLIED WARRANTIES OF MERCHANTABILITY OR FITNESS, SO THESE EXCLUSIONS OR LIMITATIONS MAY NOT APPLY TO YOU. THIS WARRANTY GIVES YOU SPECIFIC LEGAL RIGHTS, AND YOU MAY ALSO HAVE OTHER RIGHTS WHICH VARY FROM STATE TO STATE OR PROVINCE TO PROVINCE.

If outside the 50 United States and Canada, contact your authorized Whirlpool dealer to determine if another warranty applies.

If you need service, first see the "Troubleshooting" section of the Use & Care Guide. After checking "Troubleshooting," you may find additional help by checking the "Assistance or Service" section or by calling Whirlpool. In the U.S.A., call **1-800-253-1301**. In Canada, call **1-800-807-6777**.

9/07

Keep this book and your sales slip together for future reference. You must provide proof of purchase or installation date for in-warranty service.

Write down the following information about your major appliance to better help you obtain assistance or service if you ever need it. You will need to know your complete model number and serial number. You can find this information on the model and serial number label located on the product.

Dealer name _____

Address _____

Phone number _____

Model number _____

Serial number _____

Purchase date _____

SÉCURITÉ DU VENTILATEUR EN LIGNE

Votre sécurité et celle des autres est très importante.

Nous donnons de nombreux messages de sécurité importants dans ce manuel et sur votre appareil ménager. Assurez-vous de toujours lire tous les messages de sécurité et de vous y conformer.



Voici le symbole d'alerte de sécurité.

Ce symbole d'alerte de sécurité vous signale les dangers potentiels de décès et de blessures graves à vous et à d'autres.

Tous les messages de sécurité suivront le symbole d'alerte de sécurité et le mot "DANGER" ou "AVERTISSEMENT". Ces mots signifient :

⚠ DANGER

Risque possible de décès ou de blessure grave si vous ne suivez pas immédiatement les instructions.

⚠ AVERTISSEMENT

Risque possible de décès ou de blessure grave si vous ne suivez pas les instructions.

Tous les messages de sécurité vous diront quel est le danger potentiel et vous disent comment réduire le risque de blessure et ce qui peut se produire en cas de non-respect des instructions.

IMPORTANTES INSTRUCTIONS DE SÉCURITÉ

AVERTISSEMENT : POUR RÉDUIRE LE RISQUE D'INCENDIE, CHOC ÉLECTRIQUE OU DOMMAGES CORPORELS, RESPECTER LES INSTRUCTIONS SUIVANTES :

- Utiliser cet appareil uniquement dans les applications envisagées par le fabricant. Pour toute question, contacter le fabricant.
- Avant d'entreprendre un travail d'entretien ou de nettoyage, interrompre l'alimentation de la hotte au niveau du tableau de disjoncteurs, et verrouiller le tableau de disjoncteurs pour empêcher tout rétablissement accidentel de l'alimentation du circuit. Lorsqu'il n'est pas possible de verrouiller le tableau de disjoncteurs, placer sur le tableau de disjoncteurs une étiquette d'avertissement proéminente interdisant le rétablissement de l'alimentation.
- Tout travail d'installation ou câblage électrique doit être réalisé par une personne qualifiée, dans le respect des prescriptions de tous les codes et normes applicables, y compris les codes du bâtiment et de protection contre les incendies.
- Ne pas faire fonctionner un ventilateur dont le cordon ou la fiche est endommagé(e). Jeter le ventilateur ou le retourner à un centre de service agréé pour examen et/ou réparation.
- Une source d'air de débit suffisant est nécessaire pour le fonctionnement correct de tout appareil à gaz (combustion et évacuation des gaz à combustion par la cheminée), pour qu'il n'y ait pas de reflux des gaz de combustion. Respecter les directives du fabricant de l'équipement de chauffage et les prescriptions des normes de sécurité - comme celles publiées par la National Fire Protection Association (NFPA) et l'American Society for Heating, Refrigeration and Air Conditioning Engineers (ASHRAE), et les prescriptions des autorités réglementaires locales.
- Lors d'opérations de découpage et de perçage dans un mur ou un plafond, veiller à ne pas endommager les câblages électriques ou canalisations qui peuvent s'y trouver.
- Les ventilateurs d'évacuation doivent toujours décharger l'air à l'extérieur.

MISE EN GARDE : Cet appareil est conçu uniquement pour la ventilation générale. Ne pas l'utiliser pour l'extraction de matières ou vapeurs dangereuses ou explosives.

MISE EN GARDE : Pour minimiser le risque d'incendie et évacuer adéquatement les gaz, veiller à acheminer l'air aspiré par un conduit jusqu'à l'extérieur - ne pas décharger l'air aspiré dans un espace vide du bâtiment comme une cavité murale, un plafond, un grenier, un vide sanitaire ou un garage.

AVERTISSEMENT : POUR RÉDUIRE LE RISQUE D'INCENDIE, UTILISER UNIQUEMENT DES CONDUITS MÉTALLIQUES.

AVERTISSEMENT : POUR MINIMISER LE RISQUE D'UN FEU DE GRAISSE SUR LA CUISINIÈRE :

- Ne jamais laisser un élément de surface fonctionner à puissance de chauffage maximale sans surveillance. Un renversement/débordement de matière grasseuse pourrait provoquer une inflammation et la génération de fumée. Utiliser une puissance de chauffage moyenne ou basse pour le chauffage d'huile.
- Veiller à toujours faire fonctionner le ventilateur de la hotte lors de la cuisson avec une puissance de chauffage élevée ou lors de la cuisson d'un mets à flamber (à savoir crêpes Suzette, cerise jubilé, steak au poivre flambé).
- Nettoyer fréquemment les ventilateurs d'extraction. Veiller à ne pas laisser la graisse s'accumuler sur les surfaces du ventilateur ou des filtres.
- Utiliser toujours un ustensile de taille appropriée. Utiliser toujours un ustensile adapté à la taille de l'élément chauffant.

AVERTISSEMENT : POUR RÉDUIRE LE RISQUE DE DOMMAGES CORPORELS APRÈS LE DÉCLENCHEMENT D'UN FEU DE GRAISSE SUR LA CUISINIÈRE, APPLIQUER LES RECOMMANDATIONS SUIVANTES :^a

- Placer sur le récipient un couvercle bien ajusté, une tôle à biscuits ou un plateau métallique POUR ÉTOUFFER LES FLAMMES, puis éteindre le brûleur. VEILLER À ÉVITER LES BRÛLURES. Si les flammes ne s'éteignent pas immédiatement, ÉVACUER LA PIÈCE ET APPELER LES POMPIERS.
- NE JAMAIS PRENDRE EN MAIN UN RÉCIPENT ENFLAMMÉ - vous risquez de vous brûler.
- NE PAS UTILISER D'EAU, ni un torchon humide - ceci pourrait provoquer une explosion de vapeur brûlante.
- Utiliser un extincteur SEULEMENT si :
 - Il s'agit d'un extincteur de classe ABC, dont on connaît le fonctionnement.
 - Il s'agit d'un petit feu encore limité à l'endroit où il s'est déclaré.
 - Les pompiers ont été contactés.
 - Il est possible de garder le dos orienté vers une sortie pendant l'opération de lutte contre le feu.

^aRecommandations tirées des conseils de sécurité en cas d'incendie de cuisine publiés par la NFPA.

- **AVERTISSEMENT** : Pour réduire le risque d'incendie ou de choc électrique, ne pas utiliser ce ventilateur avec un quelconque dispositif de réglage de la vitesse à semi-conducteurs.

LIRE ET CONSERVER CES INSTRUCTIONS

EXIGENCES D'INSTALLATION

Outils et pièces

Rassembler les outils et composants nécessaires avant d'entreprendre l'installation. Lire et observer les instructions fournies avec chacun des outils de la liste ci-dessous.

Outils nécessaires

- Perceuse
- Foret de 1¼" (3 cm)
- Foret de ¾" (0,5 cm)
- Crayon
- Pince à dénuder ou couteau utilitaire
- Mètre-ruban ou règle
- Pince
- Pistolet à calfeutrage et composé de calfeutrage résistant aux intempéries
- Brides de conduit
- Scie sauteuse ou scie à guichet
- Tournevis à lame plate
- Cisaille de ferblantier
- Tournevis Phillips

Pièces nécessaires

- Conduit de câblage et raccords de ½" (1,3 cm) - homologation UL ou CSA
 - 6 conducteurs de calibre 18 AWG de chacune des couleurs suivantes : noir, blanc, rouge, bleu, gris et vert ou vert/jaune (terre)
- REMARQUE :** La longueur du conduit et des conducteurs de calibre 18 AWG est déterminée par la distance entre le moteur du ventilateur en ligne et les boîtiers de raccordement de la hotte.
- 11 connecteurs de fils homologués UL
 - Serre-câble de ½" (1,3 cm) (homologation UL ou CSA)

Pièces fournies

Retirer les pièces de leur emballage. Vérifier que toutes les pièces sont présentes.

- 4 vis de montage de 6.3 x 60 mm
- 4 rondelles plates
- Ensemble connecteur à 6 fils pour la cuisinière
- Connecteurs avec serre-câble
- 1 bague de serre-câble

Exigences d'emplacement

IMPORTANT : Observer les dispositions de tous les codes et règlements en vigueur.

Recourir à un technicien qualifié pour installer le système de ventilation en ligne.

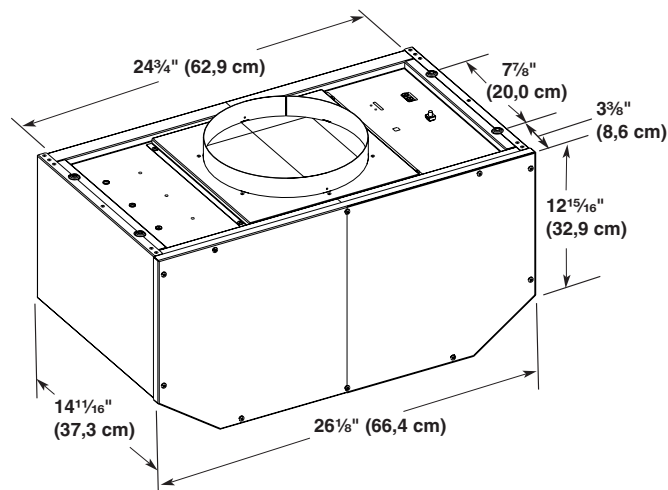
Assurer l'étanchéité au niveau de chaque ouverture découpée dans le plafond ou le mur pour l'installation du système de ventilation en ligne.

Installation dans une résidence mobile

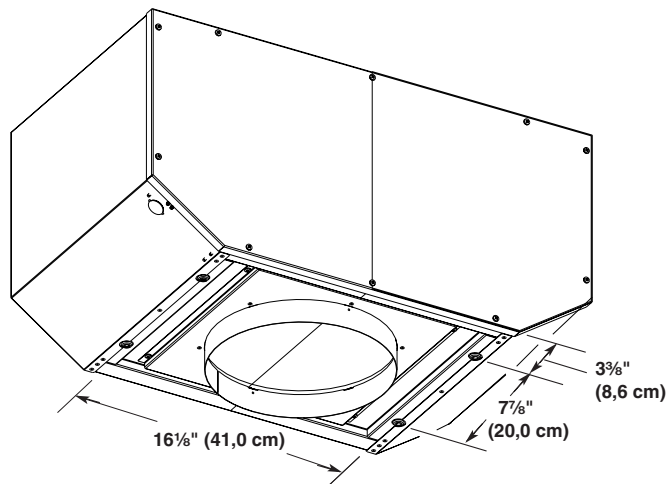
L'installation de ce système de ventilation en ligne doit satisfaire aux exigences de la norme Manufactured Home Construction Safety Standards, Titre 24 CFR, partie 328 (anciennement Federal Standard for Mobile Home Construction and Safety, titre 24, HUD, partie 280) ; lorsque cette norme n'est pas applicable, l'installation doit satisfaire aux critères de la plus récente édition de la norme Manufactured Home Installation 1982 (Manufactured Home Sites, Communities and Setups) ANSI A225.1/NFPA 501A*, ou des codes et règlements locaux.

Dimensions du produit

Vue de dessus (sortie)



Vue de dessous (entrée)



Exigences concernant l'évacuation

- Le système d'évacuation doit décharger l'air à l'extérieur.
- Ne pas terminer le circuit d'évacuation dans un grenier ou dans un autre espace clos.
- Ne pas utiliser une bouche de décharge murale de 4" (10,2 cm) ou de bouche de décharge de 4" (10,2 cm) normalement utilisée pour un équipement de buanderie.
- Utiliser un conduit métallique cylindrique uniquement. Un conduit en métal rigide est recommandé. Ne pas utiliser de conduit en plastique ou aluminium.
- La longueur du conduit de décharge et le nombre de coudes doivent être réduits au minimum pour obtenir les meilleurs résultats.

Pour un fonctionnement efficace et silencieux :

- Ne pas utiliser plus de trois coudes à 90°.
- Veiller à ce qu'il y ait une section droite de conduit d'un minimum de 24" (61 cm) entre les raccords coudés, si on doit en utiliser plus d'un.
- Ne pas installer 2 coudes successifs.
- Au niveau de chaque jointure du circuit d'évacuation, assurer l'étanchéité avec les brides de serrage.
- Le circuit d'évacuation doit comporter un clapet anti-reflux.
- À l'aide d'un produit de calfeutrage, assurer l'étanchéité autour de la bouche de décharge à l'extérieur (à travers le mur ou le toit).
- Le diamètre du conduit doit être uniforme.

Installations pour régions à climat froid

On doit installer un clapet anti-retour supplémentaire à l'arrière pour minimiser le reflux d'air froid et incorporer une résistance thermique pour minimiser la conduction des températures extérieures par le conduit d'évacuation. Le clapet anti-retour doit être placé du côté air froid de la résistance thermique.

La résistance thermique doit être le plus près possible de l'entrée du circuit d'évacuation dans la partie chauffée de la maison.

Air d'appoint

Les codes locaux en bâtiment peuvent imposer l'emploi d'un circuit d'entrée d'air d'appoint lorsque les circuits de ventilation utilisés dépassent une valeur spécifiée en pieds cubes par minute. Le débit spécifié en pieds cubes par minute varie d'une juridiction à l'autre. Consulter un professionnel des installations de chauffage ventilation/climatisation au sujet des exigences spécifiques applicables dans la juridiction locale.

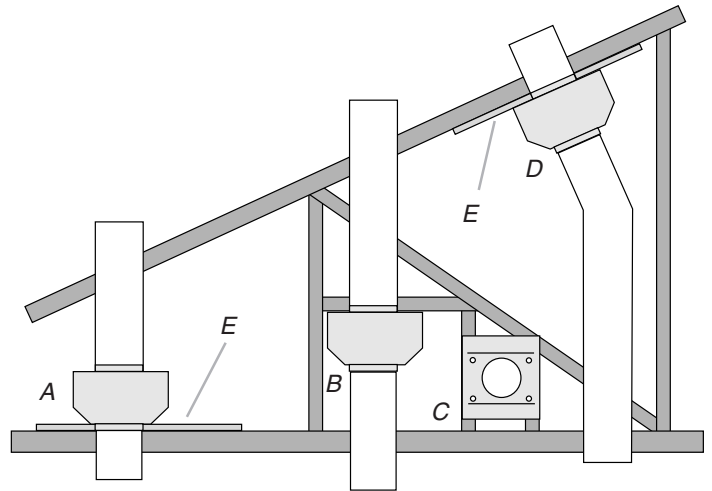
Installations typiques d'un système de ventilation en ligne

Un circuit d'évacuation en conduit rond de 10" (25,4 cm) est nécessaire pour l'installation (non fourni). Les ouvertures d'entrée et de sortie du système de ventilation en ligne ont un diamètre de 10" (25,4 cm). L'ouverture de décharge (sortie) sur la cuisinière doit également mesurer 10" (25,4 cm) de diamètre.

REMARQUE : On déconseille l'emploi d'un conduit flexible. Un conduit flexible peut causer une contre-pression et des turbulences d'air, qui réduisent considérablement la performance.

La sortie à l'extérieur du circuit d'évacuation peut se faire à travers le toit ou un mur.



REMARQUE : Il est possible d'utiliser du contreplaqué comme base de montage dans les zones ouvertes entre solives et chevrons. Dans un tel cas, veiller à utiliser du contreplaqué capable de supporter le poids du système de ventilation en ligne (50 lb [22,6 kg]).



- A. Montage au-dessus des solives
- B. Montage sur traverses de ferme
- C. Conduit horizontal, montage sur traverses de ferme
- D. Montage sous les chevrons
- E. Contreplaqué

Calcul de la longueur effective du circuit d'évacuation

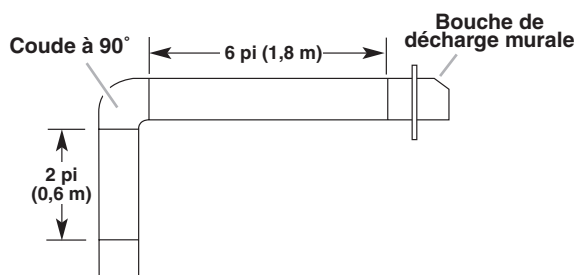
Pour calculer la longueur effective du circuit d'évacuation nécessaire, additionner les longueurs équivalentes (en pieds ou mètres) de tous les composants utilisés dans le circuit.

Composant	Longueur équivalente	
Coude à 45°	2,5 pi (0,8 m)	
Coude à 90°	5,0 pi (1,5 m)	

Les longueurs maximales équivalentes de conduit sont les suivantes :

Conduits cylindriques 10" (25,4 cm) - 60 pi (18,3 m)

Exemple de circuit d'évacuation



L'exemple suivant ne dépasse pas la longueur de conduit maximale recommandée.

1 coude à 90°	= 5 pi (1,5 m)
1 bouche de décharge murale	= 0 pi (0 m)
Section droite de 8 pi (2,4 m)	= 8 pi (2,4 m)
Longueur du circuit	= 13 pi (3,9 m)

Spécifications électriques

Observer les dispositions de tous les codes et règlements en vigueur.

Vérifier que l'installation électrique a été correctement effectuée et qu'elle est conforme aux spécifications de la plus récente édition des normes National Electrical Code, ANSI/NFPA 70, ou de la norme CSA C22.1-94, Code canadien de l'électricité, partie 1 et C22.2 N° 0-M91 (dernière édition) et de tous les codes et règlements en vigueur locaux.

Si les codes le permettent et si on utilise un conducteur distinct de liaison à la terre, il est recommandé qu'un électricien qualifié vérifie la qualité de la liaison à la terre.

Pour obtenir un exemplaire de la norme des codes ci-dessus, contacter :

National Fire Protection Association
One Batterymarch Park
Quincy, MA 02269
CSA International
8501 East Pleasant Valley Road
Cleveland, OH 44131-5575

- L'appareil doit être alimenté par un circuit de 120 V, CA seulement, 60 Hz, 15 A, protégé par fusible.
- Si le domicile est équipé d'un câblage en aluminium, suivre les instructions suivantes :
 1. Connecter une section de câble en cuivre massif aux conducteurs en queue de cochon.
 2. Connecter le câblage en aluminium à la section ajoutée de câblage en cuivre en utilisant des connecteurs et/ou des outils spécialement conçus et homologués UL pour fixer le cuivre à l'aluminium.

Appliquer la procédure recommandée par le fabricant des connecteurs. La connexion aluminium/cuivre doit être conforme aux codes locaux et aux pratiques de câblage acceptées par l'industrie.
- Le calibre des conducteurs et les connexions doivent être compatibles avec la demande de courant de l'appareil spécifiée sur la plaque signalétique. La plaque signalétique de l'appareil est située derrière le filtre, sur la paroi arrière de la hotte.
- Le calibre des conducteurs doit satisfaire aux exigences de la plus récente édition de la norme National Electrical Code, ANSI/NFPA 70, ou de la norme CSA C22.1-94, Code canadien de l'électricité, partie 1 et C22.2 n° 0-M91 (dernière édition) et de tous les codes et règlements en vigueur.

INSTRUCTIONS D'INSTALLATION

Préparation de l'emplacement

- Avant d'effectuer des coupes, s'assurer que l'espace est suffisant sur le mur ou le plafond pour le conduit d'évacuation.
 - Lors des opérations de découpe et de perçage dans un mur ou un plafond, veiller à ne pas endommager les câblages électriques ou autres canalisations intégrées.
 - Vérifier que les pièces d'installation ont été retirées du carton d'expédition.
1. Déconnecter la source de courant électrique.
 2. Déterminer la méthode d'évacuation à utiliser : à travers le toit ou le mur.

AVERTISSEMENT

Risque du poids excessif

Utiliser deux ou plus de personnes pour déplacer et installer la hotte de la cuisinière.

Le non-respect de cette instruction peut causer une blessure au dos ou d'autre blessure.

3. À 2 personnes au moins, déplacer le système de ventilation en ligne jusqu'à sa zone de montage.

Préparation du montage du système de ventilation en ligne

Le système de ventilation en ligne doit être fixé à une structure fixe du toit, du plafond, du mur, du plancher ou à toute autre structure nouvelle ou existante. Les 4 trous sur l'entrée (bas) ou la sortie (haut) du ventilateur doivent être utilisés pour monter le système de ventilation en ligne à la structure.

REMARQUE : L'emplacement des trous de montage doit se trouver sur des poutres. Il peut s'avérer nécessaire de construire une structure supplémentaire. Il est possible d'utiliser du contreplaqué pour couvrir des zones ouvertes entre des solives (plafond) ou des chevrons (toit) pour faciliter l'installation. Cette structure doit être suffisamment solide pour supporter le poids du système de ventilation en ligne (50 lb [22,6 kg] min.).

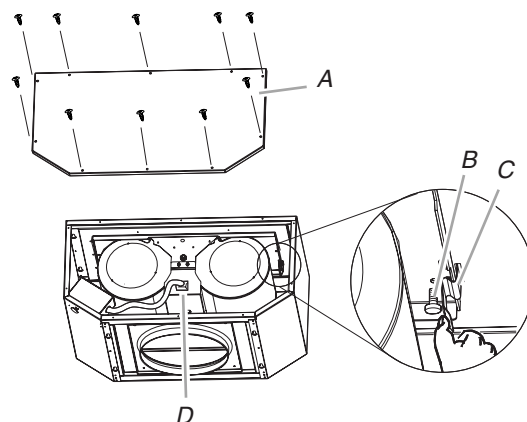
Préparation du système de ventilation en ligne

1. Retirer les 10 vis de montage du capot avant du logement du ventilateur en ligne et les mettre de côté.
2. Retirer le capot avant du logement du ventilateur en ligne et le mettre de côté.

REMARQUE : Pour faciliter le montage du logement du ventilateur, il est possible de retirer l'ensemble moteur-ventilateur. S'il n'est pas nécessaire de démonter l'ensemble moteur-ventilateur, passer à la section "Installation du système de ventilation en ligne".

3. Débrancher la prise électrique du moteur de l'ensemble moteur-ventilateur.
4. Retirer les vis qui maintiennent l'ensemble moteur-ventilateur au logement du ventilateur en ligne et les mettre de côté.

5. Tirer sur la languette à ressort pour dégager l'ensemble moteur-ventilateur. Retirer l'ensemble moteur-ventilateur du logement et le placer sur une surface couverte.

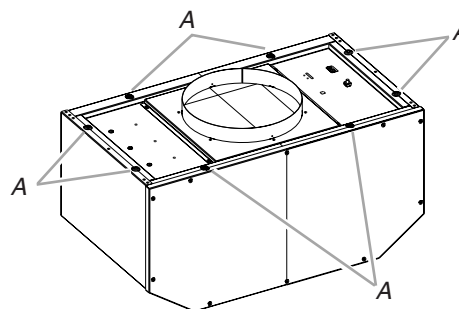


A. Capot avant
B. Vis de montage du ventilateur
C. Languette à ressort
D. Prise électrique du moteur

Installation du système de ventilation en ligne

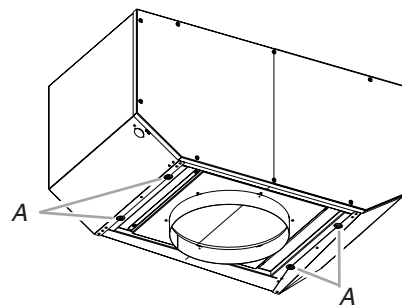
REMARQUE : Le logement du ventilateur peut être monté en utilisant les 4 trous du côté de l'entrée ou de la sortie du ventilateur.

Côté sortie :



A. Trous de montage

Côté entrée :



A. Trous de montage

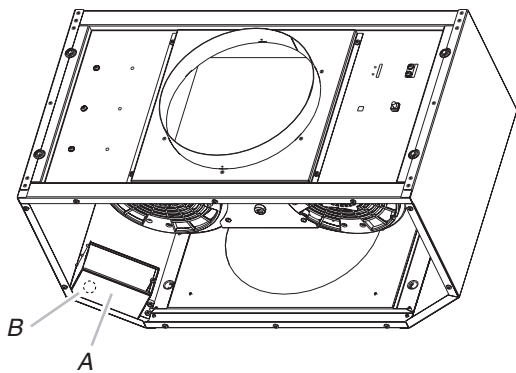
1. Placer le logement du ventilateur en ligne dans sa position de montage et repérer l'emplacement des 4 trous de montage.
2. Percer 4 avant-trous avec un forêt de 3/16" (0,5 cm).

3. Visser le logement du ventilateur en ligne à son emplacement avec quatre vis de montage 6,3 x 60 mm et rondelles.
4. Si l'ensemble moteur-ventilateur a été retiré, le réinstaller et le fixer avec les vis retirées auparavant.
5. Si la prise électrique du moteur a été débranchée, la rebrancher au connecteur de l'ensemble moteur-ventilateur.

Achever la préparation

1. Déterminer et effectuer toutes les découpes nécessaires pour le passage du circuit d'évacuation.

IMPORTANT : Lors des opérations de découpe et de perçage dans un mur ou un plafond, veiller à ne pas endommager les câblages électriques ou autres canalisations intégrées.
2. Déterminer le trajet du conduit de câblage de 1/2" (1,3 cm) à travers le plafond ou le mur.
3. Percer un trou de 1 1/4" (3,2 cm) à cet emplacement.
4. Localiser les boîtiers de raccordement électrique dans le logement du ventilateur en ligne et la hotte (voir les instructions d'installation de la hotte). Retirer le couvercle des boîtiers de raccordement et mettre de côté les couvercles et les vis.



A. Boîtier de raccordement électrique
B. Opercule arrachable

5. Retirer l'opercule du logement du ventilateur en ligne et de la hotte (voir les instructions d'installation de la hotte) pour préparer l'installation du conduit de câblage et connecteur de conduit de 1/2" (1,3 cm) homologués UL ou CSA.
6. La hotte étant montée (voir les instructions d'installation de la hotte), acheminer le conduit de câblage de 1/2" (1,3 cm) entre le logement du ventilateur en ligne et la hotte. Tirer suffisamment de conduit de câblage de 1/2" (1,3 cm) pour faciliter la connexion aux boîtiers de raccordement du logement du ventilateur en ligne et de la hotte.
7. Passer les 6 conducteurs de 18 AWG par le conduit de câblage et les connecteurs de conduit de 1/2" (1,3 cm) et dans les boîtiers de raccordement du logement du ventilateur en ligne et de la hotte. Laisser une longueur de fil suffisante dans chaque boîtier de raccordement pour connecter les fils.
8. Installer les connecteurs de conduit et le conduit dans les boîtiers de raccordement électrique du logement du ventilateur en ligne et de la hotte.
9. Raccorder le système d'évacuation à la hotte et au système de ventilation en ligne et assurer l'étanchéité de tous les raccords avec des colliers.

Raccordement électrique

⚠ AVERTISSEMENT



Risque de choc électrique

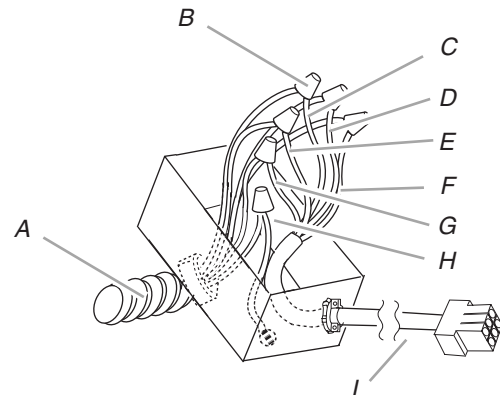
Déconnecter la source de courant électrique avant l'entretien.

Replacer pièces et panneaux avant de faire la remise en marche.

Le non-respect de ces instructions peut causer un décès ou un choc électrique.

Raccordement électrique à l'intérieur du système de ventilation en ligne

1. Déconnecter la source de courant électrique.
2. Raccorder les conducteurs du conduit de câblage à ceux du câble de la prise électrique du moteur dans le boîtier de raccordement du ventilateur en ligne.



A. Conduit de câblage 1/2" homologué UL ou CSA
B. Connecteurs de fils (homologation UL)
C. Conducteurs noirs
D. Conducteurs blancs
E. Conducteurs rouges

F. Conducteurs bleus
G. Conducteurs gris
H. Conducteurs verts (ou jaunes/verts) et conducteurs verts/jaunes
I. Câble de la prise électrique du moteur

3. Raccorder les conducteurs noirs (C) à l'aide de connecteurs de fils homologués UL.
4. Raccorder les conducteurs blancs (D) à l'aide de connecteurs de fils homologués UL.
5. Raccorder les conducteurs rouges (E) à l'aide de connecteurs de fils homologués UL.
6. Raccorder les conducteurs bleus (F) à l'aide de connecteurs de fils homologués UL.
7. Raccorder les conducteurs gris (G) à l'aide de connecteurs de fils homologués UL.

⚠ AVERTISSEMENT



Risque de choc électrique

Relier le ventilateur à la terre.

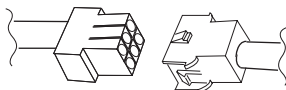
Brancher le fil relié à la terre au fil vert et jaune relié à la terre dans la boîte de la borne.

Le non-respect de ces instructions peut causer un décès ou un choc électrique.

8. Raccorder le conducteur de terre vert (ou jaune/vert) au conducteur de terre (vert-jaune) (H) du boîtier de raccordement avec des connecteurs de fils homologués UL.
9. Remonter le couvercle et la vis du boîtier de raccordement du ventilateur en ligne.
10. Remonter le capot avant du logement du ventilateur en ligne et le fixer avec les 10 vis de montage.

Raccordement électrique au niveau de la hotte, entre le circuit de ventilation en ligne et la hotte.

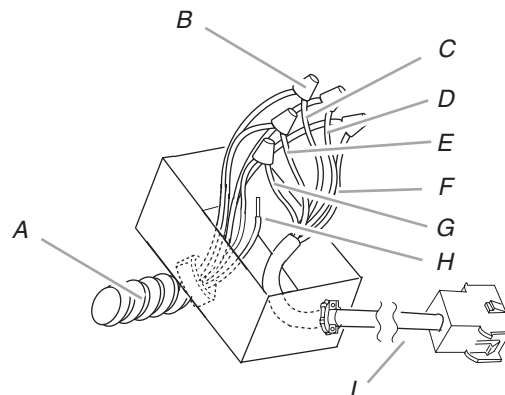
1. La hotte étant montée (voir les instructions d'installation de la hotte), rechercher le connecteur du câble à l'intérieur.
2. Raccorder le connecteur à 6 fils, fourni avec le système de ventilation en ligne, au connecteur correspondant du câble de la hotte.



3. Localiser le boîtier de raccordement à l'intérieur de la hotte et installer un serre-câble de 1/2" (1,3 cm) homologué UL ou CSA (voir les instructions d'installation de la hotte).

4. Faire passer les conducteurs du connecteur à 6 fils à travers le serre-câbles de 1/2" (1,3 cm), en laissant une longueur suffisante pour le raccordement. Serrer les vis du serre-câble.
5. Raccorder les conducteurs du connecteur à 6 fils avec ceux du conduit de câblage à l'intérieur du boîtier de connexion de la hotte.
6. Raccorder les conducteurs de couleurs correspondantes (noir et noir, blanc et blanc, etc.) à l'aide de connecteurs de fils homologués UL.

REMARQUE : Raccorder le conducteur de terre vert (ou vert/jaune) au conducteur de terre vert (ou nu) de l'alimentation électrique domestique à l'aide de connecteurs de fils homologués UL (voir la section "Raccordements de l'alimentation électrique à la hotte" dans les instructions d'installation de la hotte).



A. Conduit de câblage 1/2" homologué UL ou CSA
B. Connecteurs de fils (homologation UL)
C. Conducteurs noirs
D. Connecteurs blancs
E. Conducteurs rouges

F. Conducteurs bleus
G. Conducteurs gris
H. Conducteur vert (ou jaune/vert)
I. Connecteur à 6 fils

7. Raccorder le câblage de l'alimentation électrique domestique à la hotte en suivant les instructions fournies avec cette dernière.
8. Réinstaller le couvercle du boîtier de raccordement.
9. Reconnecter la source de courant électrique.

ASSISTANCE OU SERVICE

Lors d'un appel pour assistance ou service, veuillez connaître la date d'achat, le numéro de modèle et le numéro de série complets de l'appareil. Ces renseignements nous aideront à mieux répondre à votre demande.

Si vous avez besoin de pièces de rechange

Si vous avez besoin de commander des pièces de rechange, nous vous recommandons d'employer uniquement les pièces spécifiées par l'usine. Les pièces spécifiées par l'usine conviendront et fonctionneront bien parce qu'elles sont fabriquées avec la même précision utilisée dans la fabrication de chaque nouvel appareil. Pour localiser les pièces spécifiées par l'usine, dans votre région, nous appeler ou téléphoner au centre de service désigné le plus proche.

Au Canada

Veuillez appeler sans frais le Centre pour l'eXpérience de la clientèle de Whirlpool Canada LP au : **1-800-807-6777**.

Nos consultants vous renseigneront sur les sujets suivants :

- Caractéristiques et spécifications sur toute notre gamme d'appareils électroménagers.
- Consignes d'utilisation et d'entretien.
- Ventes d'accessoires et de pièces de rechange.
- Références aux marchands locaux, aux distributeurs de pièces de rechange et aux compagnies de service. Les techniciens de service désignés par Whirlpool Canada LP sont formés pour remplir la garantie des produits et fournir un service après la garantie, partout au Canada.

Pour plus d'assistance

Si vous avez besoin de plus d'assistance, vous pouvez soumettre par écrit toute question ou préoccupation à Whirlpool Canada LP à l'adresse suivante :

Whirlpool Canada LP
Centre pour l'eXpérience de la clientèle
200 - 6750 Century Ave.
Mississauga, Ontario L5N 0B7

Veuillez inclure dans votre correspondance un numéro de téléphone où l'on peut vous joindre dans la journée.

GARANTIE DES GROS APPAREILS MÉNAGERS WHIRLPOOL CORPORATION

GARANTIE LIMITÉE

Pendant un an à compter de la date d'achat, lorsque ce gros appareil ménager est utilisé et entretenu conformément aux instructions jointes à ou fournies avec le produit, Whirlpool Corporation ou Whirlpool Canada LP (ci-après désignées "Whirlpool") paiera pour les pièces spécifiées par l'usine et la main-d'œuvre pour corriger les vices de matériaux ou de fabrication. Le service doit être fourni par une compagnie de service désignée par Whirlpool. Cette garantie limitée est valide uniquement aux États-Unis ou au Canada et s'applique exclusivement lorsque l'appareil est utilisé dans le pays où il a été acheté. À l'extérieur du Canada et des 50 États des États-Unis, cette garantie limitée ne s'applique pas. Une preuve de la date d'achat original est exigée pour obtenir un service dans le cadre de la présente garantie limitée.

ARTICLES EXCLUS DE LA GARANTIE

La présente garantie limitée ne couvre pas :

1. Les visites de service pour rectifier l'installation du gros appareil ménager, montrer à l'utilisateur comment utiliser l'appareil, remplacer ou réparer des fusibles ou rectifier le câblage ou la plomberie du domicile.
2. Les visites de service pour réparer ou remplacer les ampoules électriques de l'appareil, les filtres à air ou les filtres à eau. Les pièces consommables ne sont pas couvertes par la garantie.
3. Les réparations lorsque le gros appareil ménager est utilisé à des fins autres que l'usage unifamilial normal ou lorsque les instructions d'installation et/ou les instructions de l'opérateur ou de l'utilisateur fournies ne sont pas respectées.
4. Les dommages imputables à : accident, modification, usage impropre ou abusif, incendie, inondation, actes de Dieu, installation fautive ou installation non conforme aux codes d'électricité ou de plomberie, ou l'utilisation de pièces consommables ou de produits nettoyants non approuvés par Whirlpool.
5. Les défauts apparents, notamment les éraflures, les bosses, fissures ou tout autre dommage au fini du gros appareil ménager, à moins que ces dommages soient dus à des vices de matériaux ou de fabrication et soient signalés à Whirlpool dans les 30 jours suivant la date d'achat.
6. Toute perte d'aliments due à une défaillance du réfrigérateur ou du congélateur.
7. Les coûts associés au transport du gros appareil ménager du domicile pour réparation. Ce gros appareil ménager est conçu pour être réparé à domicile et seul le service à domicile est couvert par la présente garantie.
8. Les réparations aux pièces ou systèmes résultant d'une modification non autorisée faite à l'appareil.
9. Les frais de transport pour le service d'un produit si votre gros appareil est situé dans une région éloignée où un service d'entretien Whirlpool autorisé n'est pas disponible.
10. La dépose et la réinstallation de votre gros appareil si celui-ci est installé dans un endroit inaccessible ou n'est pas installé conformément aux instructions d'installation fournies.
11. Les gros appareils ménagers dont les numéros de série et de modèle originaux ont été enlevés, modifiés ou qui ne peuvent pas être facilement identifiés. La présente garantie est nulle si le numéro de série d'usine a été modifié ou enlevé du gros appareil ménager. Le coût d'une réparation ou d'un remplacement dans le cadre de ces circonstances exclues est à la charge du client.

CLAUSE D'EXONÉRATION DE RESPONSABILITÉ AU TITRE DES GARANTIES IMPLICITES; LIMITATION DES RECOURS

LE SEUL ET EXCLUSIF RECOURS DU CLIENT DANS LE CADRE DE LA PRÉSENTE GARANTIE LIMITÉE CONSISTE EN LA RÉPARATION PRÉVUE CI-DESSUS. LES GARANTIES IMPLICITES, Y COMPRIS LES GARANTIES APPLICABLES DE QUALITÉ MARCHANDE ET D'APTITUDE À UN USAGE PARTICULIER, SONT LIMITÉES À UN AN OU À LA PLUS COURTE PÉRIODE AUTORISÉE PAR LA LOI. WHIRLPOOL N'ASSUME AUCUNE RESPONSABILITÉ POUR LES DOMMAGES FORTUITS OU INDIRECTS. CERTAINES JURIDICTIONS NE PERMETTENT PAS L'EXCLUSION OU LA LIMITATION DES DOMMAGES FORTUITS OU INDIRECTS, OU LES LIMITATIONS DE LA DURÉE DES GARANTIES IMPLICITES DE QUALITÉ MARCHANDE OU D'APTITUDE À UN USAGE PARTICULIER, DE SORTE QUE CES EXCLUSIONS OU LIMITATIONS PEUVENT NE PAS S'APPLIQUER DANS VOTRE CAS. CETTE GARANTIE VOUS CONFÈRE DES DROITS JURIDIQUES SPÉCIFIQUES ET VOUS POUVEZ ÉGALEMENT JOUIR D'AUTRES DROITS QUI PEUVENT VARIER D'UNE JURIDICTION À UNE AUTRE.

Si vous résidez à l'extérieur du Canada et des 50 États des États-Unis, contactez votre marchand Whirlpool autorisé pour déterminer si une autre garantie s'applique.

Si vous avez besoin de service, voir d'abord la section "Dépannage" du Guide d'utilisation et d'entretien. Après avoir vérifié la section "Dépannage", de l'aide supplémentaire peut être trouvée en vérifiant la section "Assistance ou service" ou en appelant Whirlpool. Aux É.-U., composer le **1-800-253-1301**. Au Canada, composer le **1-800-807-6777**. 2/09

Conservez ce manuel et votre reçu de vente ensemble pour référence ultérieure. Pour le service sous garantie, vous devez présenter un document prouvant la date d'achat ou d'installation.

Inscrivez les renseignements suivants au sujet de votre gros appareil ménager pour mieux vous aider à obtenir assistance ou service en cas de besoin. Vous devez connaître le numéro de modèle et le numéro de série au complet. Vous trouverez ces renseignements sur la plaque signalétique située sur le produit.

Nom du marchand _____

Adresse _____

Numéro de téléphone _____

Numéro de modèle _____

Numéro de série _____

Date d'achat _____

W10331013B

© 2011.
All rights reserved.
Tous droits réservés.

3/11
Printed in Mexico.
Imprimé au Mexique.