

TWD 360 WP 8kg

T1 Heat-Pump Dryer:

With Miele@home and FragranceDos for laundry that smells great.



- Ventless, up to 60% energy savings with heat-pump technology
- Precision drying of all fabrics – PerfectDry
- Quickly switch between 2 favorite fragrances – FragranceDos<sup>2</sup>
- ENERGY STAR® qualified
- Easy fingertip operation – DirectSensor

EAN: 4002516379409 / Material number: 11619730 / Old Material Number: 12WD3602USA

Construction type	
Stackable	•
Side-by-side	•
Slot-in	•
Door hinging	right, Reversible
Convertible door hinge	•
Model	
Product brand	T1 White Edition
Heat-pump dryer	•
Design	
Appliance color	Lotus white
Control panel color	Lotus white
Door design	Obsidian black with white ring
Rotary selector color	Lotus White
Fascia panel version	5° incline
Control type	Rotary selector
Display	DirectSensor yellow, 7 segment
Drying results	
PerfectDry precision drying	•
FragranceDos <sup>2</sup> fragrance system	•
Intelligent drum reversal	•
Gentle laundry care	
Honeycomb drum	•
Load in lbs. (kg)	8.0
Control panel	
Networking with Miele@home	•
Delay start up to 24 hours	•
Countdown indicator	•
Drum lighting	LED
Condensed water container	•
Integrated condensed water drainage	•
AddLoad	•
Efficiency and sustainability	
EcoDry technology	•
Maintenance-free heat exchanger	•
ProfiEco motor	•
Drying programmes	
Delicates	•
Express	•
Outerwear	•
Proofing	•
Warm air/DryFresh	•
Normal	•
Woolens/Silks	•
Dress Shirts	•
Denims	•
Bed Linens	•

TWD 360 WP 8kg

T1 Heat-Pump Dryer:

With Miele@home and FragranceDos for laundry that smells great.



EAN: 4002516379409 / Material number: 11619730 / Old Material Number: 12WD3602USA

#### Options

- Anti-crease action
- Gentle tumble
- Acoustic signal

#### Quality

- Soft ribs

#### Safety

- Lock code
- Empty out container" indicator
- Clean filter" indication
- Optical interface

#### Technical data

Dimensions (width) in in. (mm)	23 1/2 (596)
Dimensions (height) in in. (mm)	33 1/2 (850)
Dimensions (depth) in in. (mm)	25 3/8 (643)
Depth with door open in in. (mm)	42 1/2 (1077)
Weight in lbs. (kg)	133 (60)
Total connected load in kW	1.00
Voltage in V	120
Fuse rating in A	15
Frequency in Hz	60
Length of supply lead in ft. (m)	6 (2.0)
Type of coolant	R134a
Refrigerant quantity in lbs	0.47

#### Accessories supplied

- Fragrance flacon

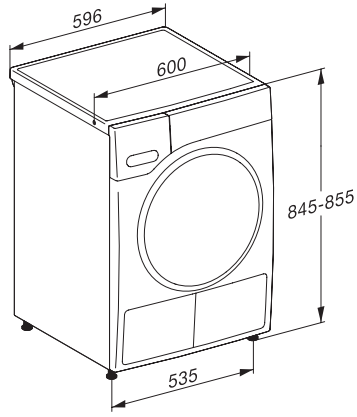
TWD 360 WP 8kg

T1 Heat-Pump Dryer:

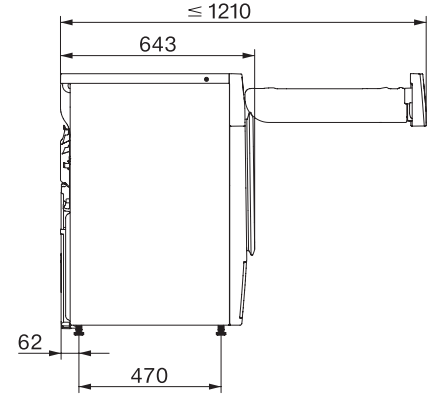
With Miele@home and FragranceDos for laundry that smells great.



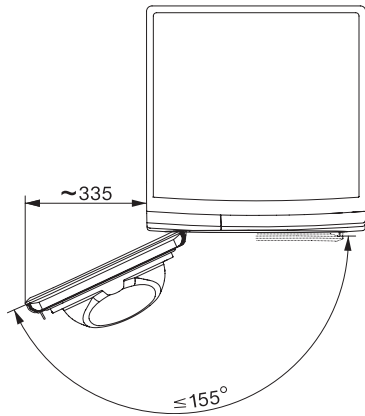
T1 installation drawing, fascia 5 degree, measures in mm



T1 drawing, fascia 5 degree, measures in mm



T1 drawing, fascia 5 degree, with porthole, measures in mm



T1 drawing, fascia 5 degree, measures in mm