



THE NEXT LEVEL IN LUXURY APPLIANCES

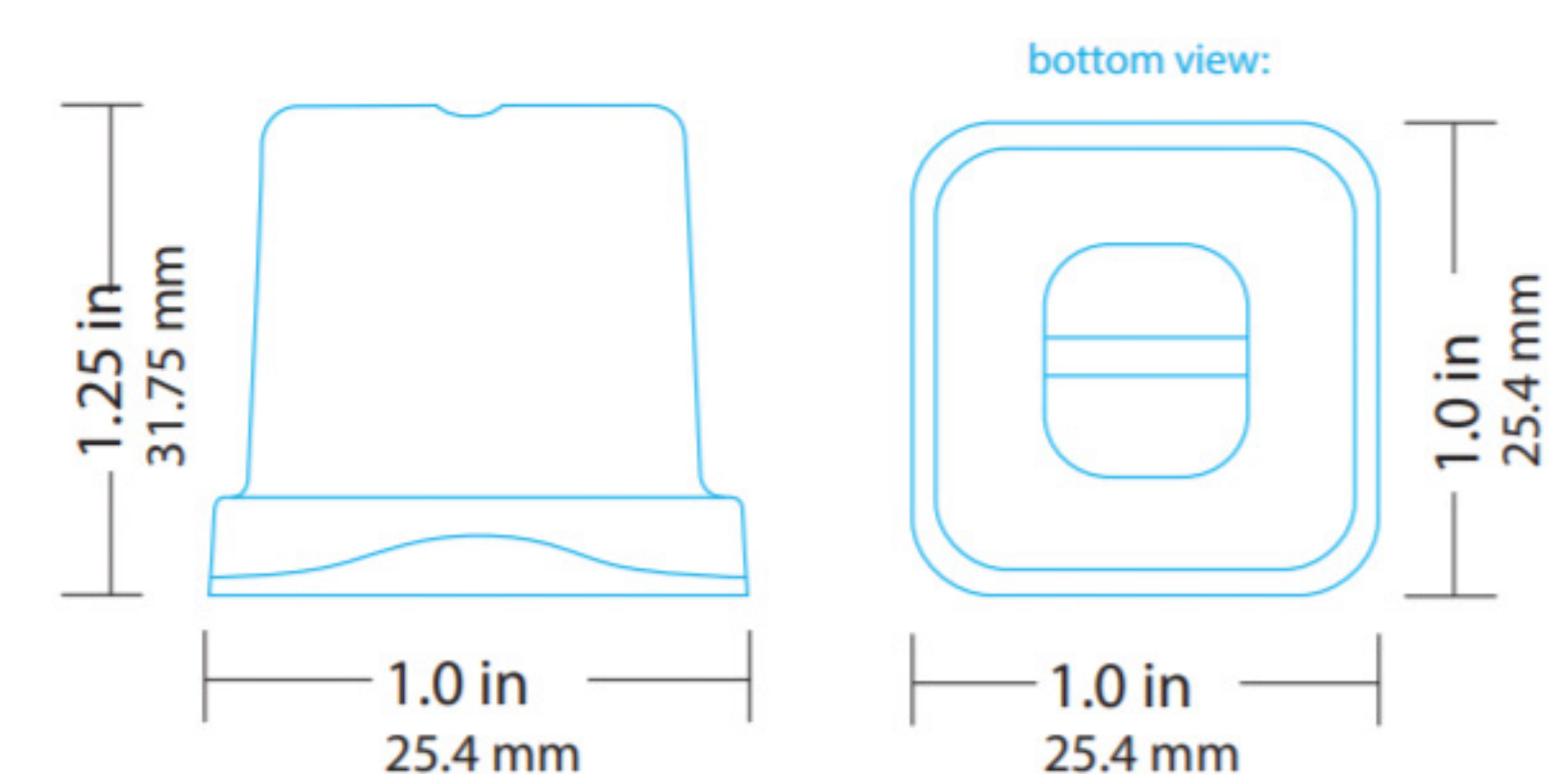
XOUI15650
XOUI15650P
(WITH PUMP)

15" PANEL READY CLEAR GOURMET ICE MAKER



- Rated for Indoor or Outdoor use
- Up to 65 lbs of Gourmet Ice per day
- Stores up to 27 lbs of ice
- Fully Automatic

Cube Size:



15" UNDERCOUNTER GOURMET ICE MAKER

Automatically produces up to 65lbs of clear gourmet ice per day

The **XOUI15650** series ice maker produces large cube gourmet ice that is crystal clear ideal for use in all kinds of beverages. That's because the rectangular bell shaped cubes are designed to melt slowly and minimize any dilution. The spray molding process allows impurities that can add taste or odor to be continuously washed away. It is ice created for the purist in you.

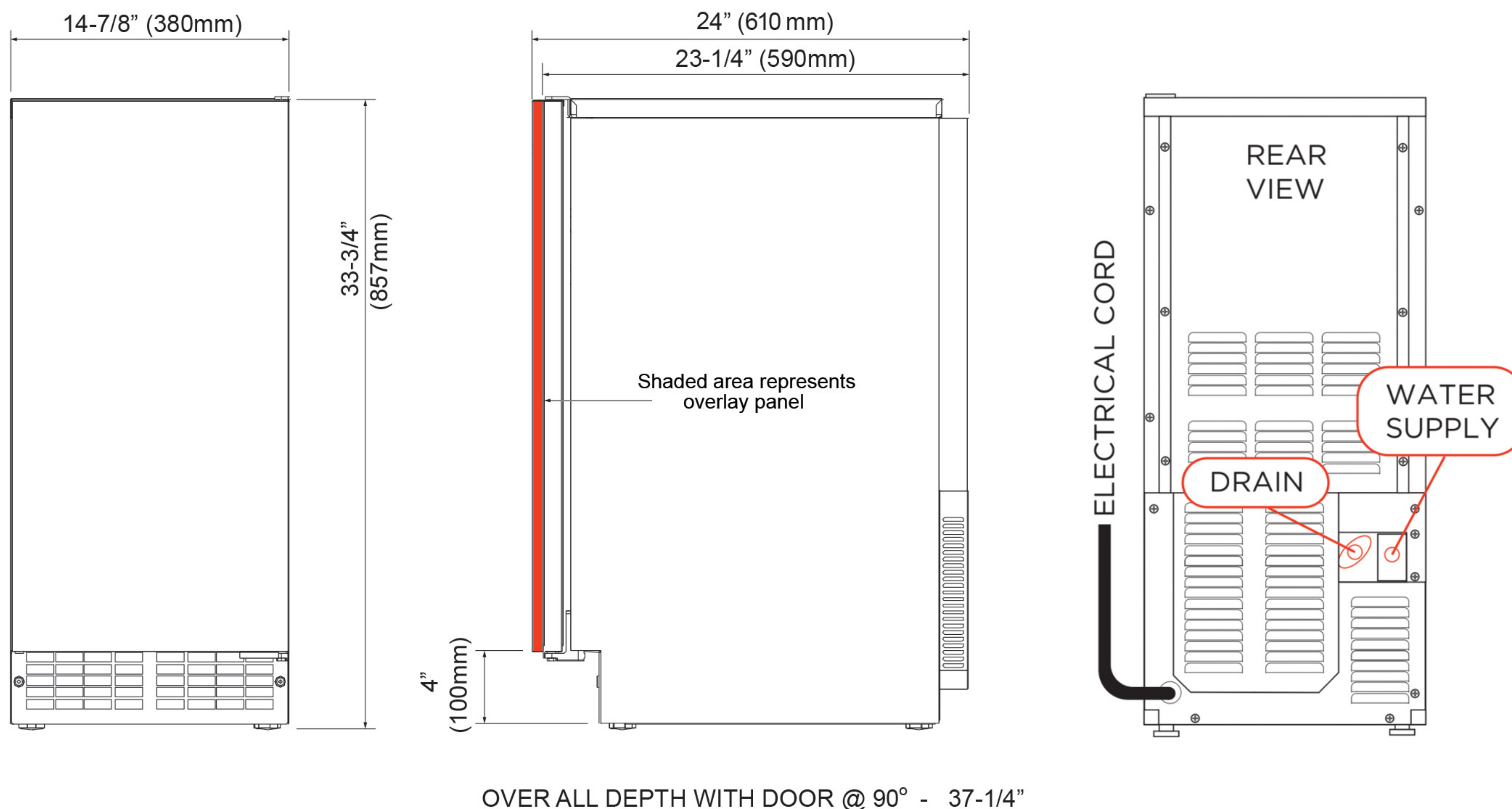
Choosing the right ice matters.

WORLD CLASS SERVICE | COMPREHENSIVE WARRANTIES
OUR LASTING COMMITMENT TO YOU



XOUIM15650 XOUIM15650P (WITH PUMP)

15" GOURMET ICE MAKER



FEATURES

FINISH Panel Ready, Field Reversible Door
Finish Panel and Handles not included
White Interior

ICE MAKER Produces up to 65lbs of Gourmet Ice per Day
Ice Tank Capacity 27lbs
Front Venting - Designed for Undercounter
Fully Automatic
Field Reversible Doors
Rated for Indoor and Outdoor Use
Large Rectangular Bell Cube
Easy to Spot Blue Ice Scoop

Available in two models:
XOUIM15650
Standard for gravity drain installs

XOUIM15650P
Includes factory installed built-in drain pump

SPECIFICATIONS

ELECTRICAL 120VAC 60HZ 4 AMP*

PWR CONNECTION 6-1/2' (3) wire cord 90° Flat Plug

WATER CONNECTION 1/4" 20 - 80 psi 50°F Optimal

DRAIN CONNECTION 5/8"

REFRIGERANT R-134a

OVER ALL DIM. 14-7/8" x 23-1/4" x 33-3/4"

NET WGT. 104 lbs

*dedicated 15 amp service required
unit must be properly grounded
see installation instructions

XO the next level
in luxury appliances

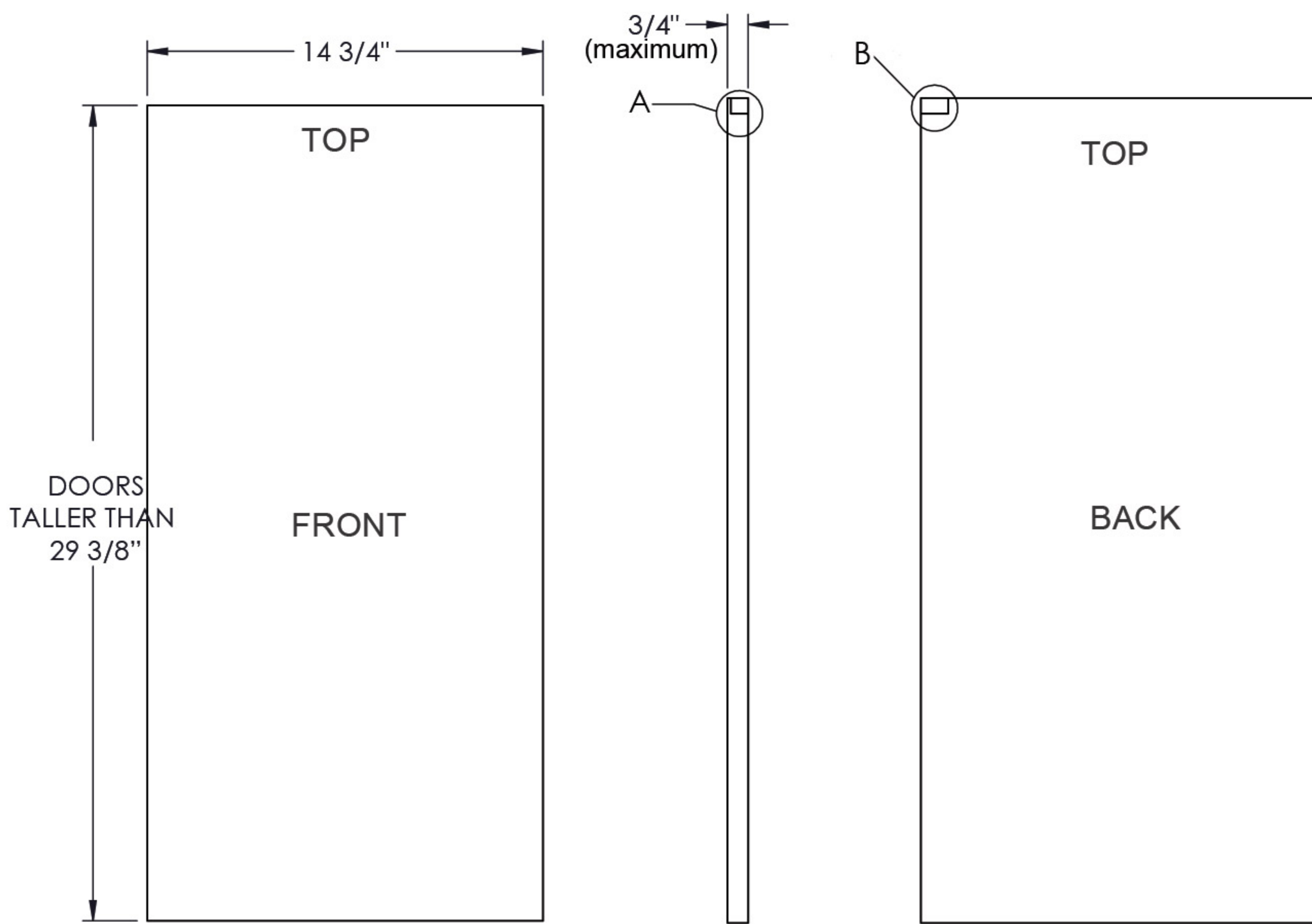
xoappliance.com | 800.966.8300



XOUIIM15650 XOUIIM15650P (WITH PUMP)

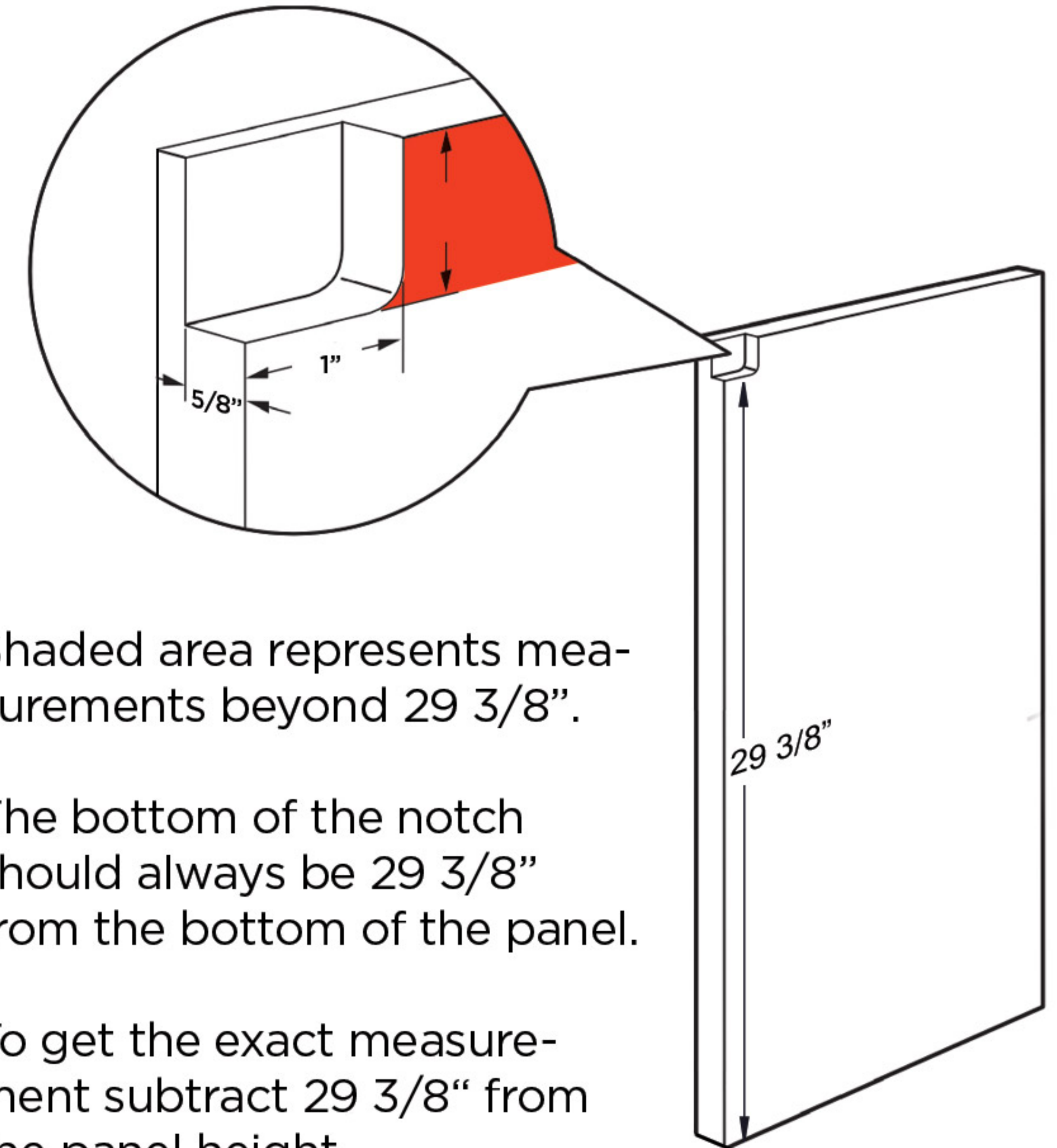
15" GOURMET ICE MAKER

Panel Ready Door Panel Dimensions (Taller than 29 3/8")



Door panels taller than 29 3/8" require a notch as seen in Detail A & B on the hinge side.

NOTCH DETAIL

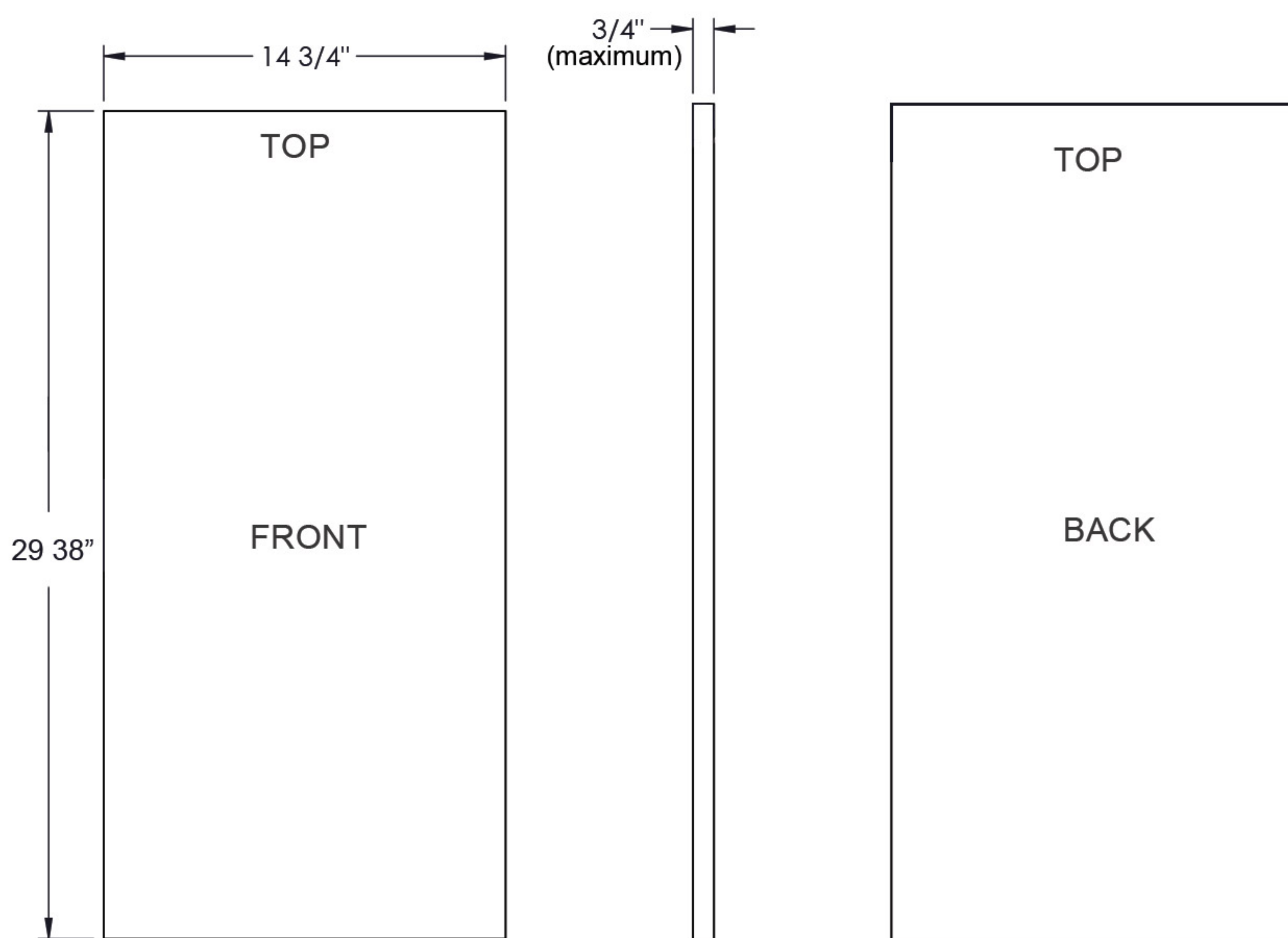


Shaded area represents measurements beyond 29 3/8".

The bottom of the notch should always be 29 3/8" from the bottom of the panel.

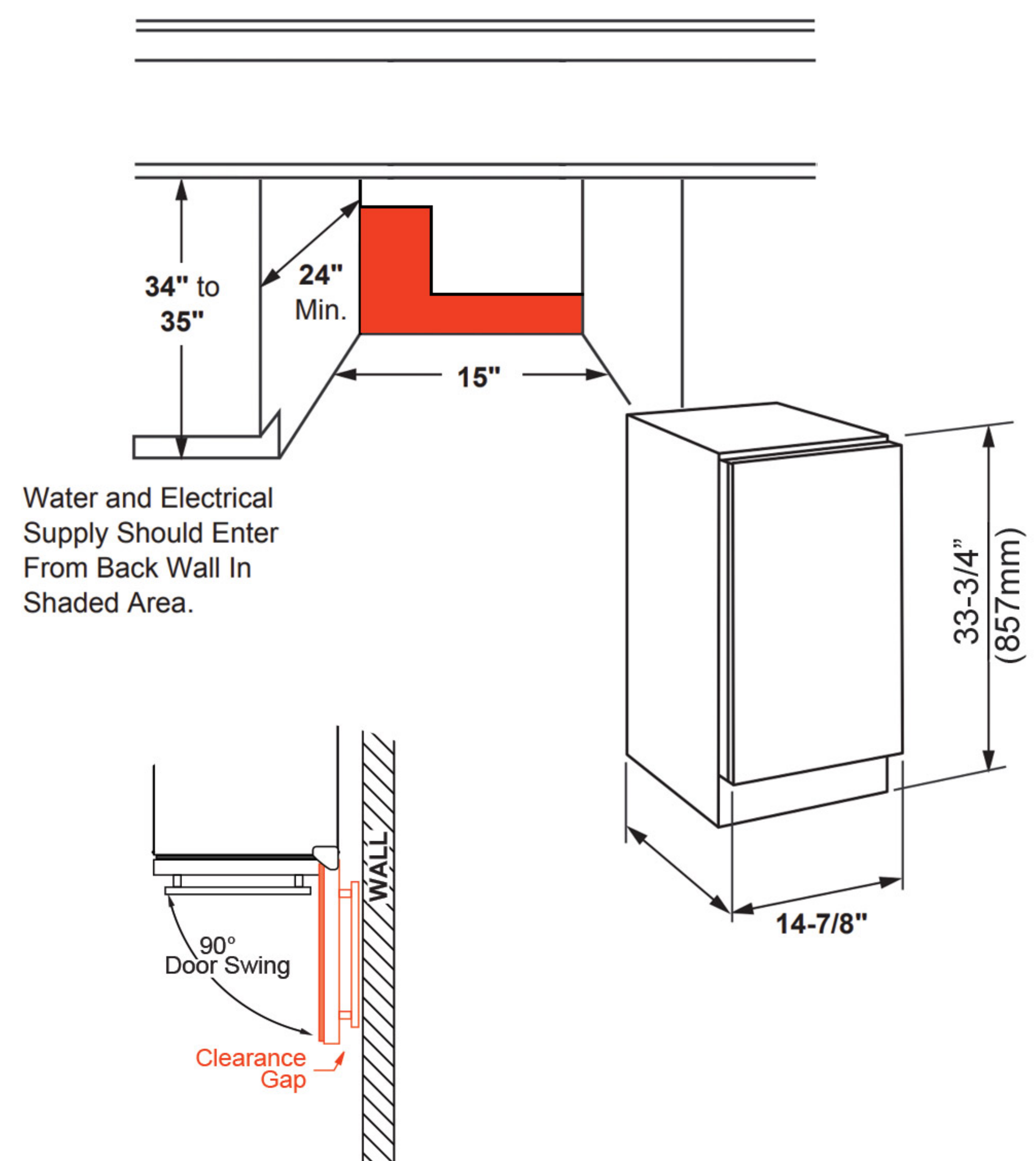
To get the exact measurement subtract 29 3/8" from the panel height.

Panel Ready Door Panel Dimensions (No Notch Required)



If making the panel 29 3/8", no notch (detail A,B) is required.

Dimensions and Installation Information



When installing with the hinge side next to a wall, leave adequate space for your door handle.

