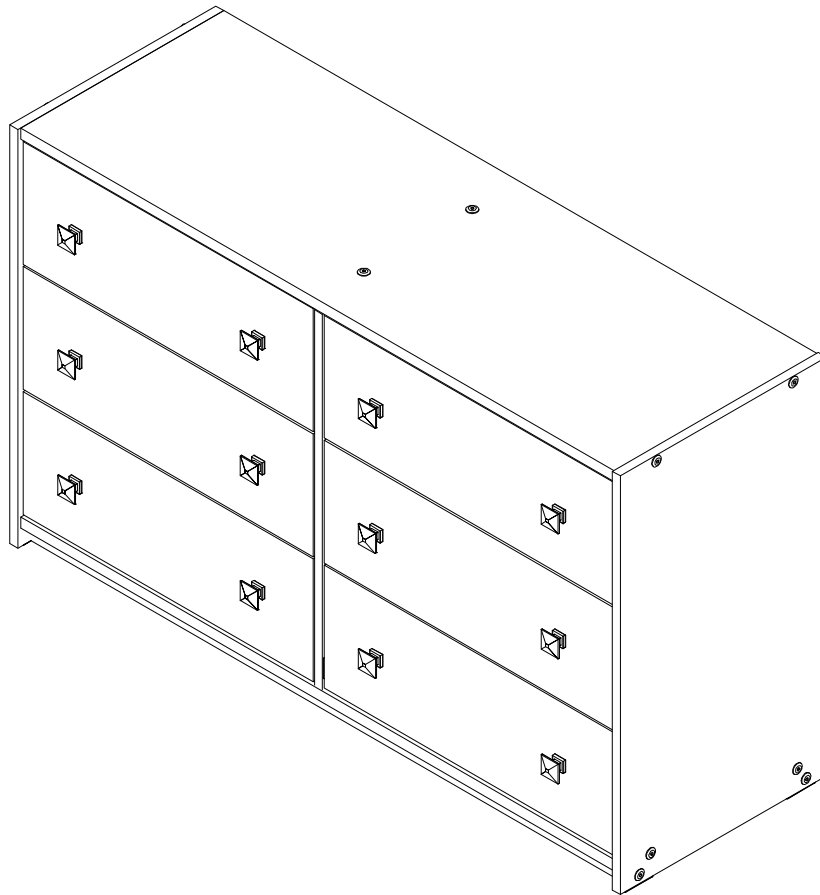


Fort Worth, Texas 76140

ASSEMBLY INSTRUCTIONS

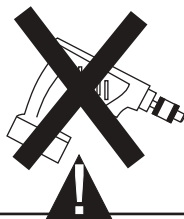
7600 6 DRAWERS DRESSER



Thank you for purchasing this quality product. Be sure to check all packing material carefully for small parts which may have come loose inside the carton during shipment. Separate identify and count all parts and hardware.

Compare with the parts list to be sure all parts are present.

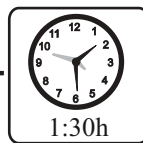
"DO NOT TIGHTEN SCREWS UNTIL COMPLETELY ASSEMBLED"



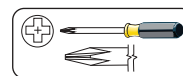
*** Use of power tool to assemble this product will invalidate any claim and damage this product making unsafe !!!**
*** Please assemble on a clean soft surface to avoid damage.**



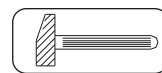
+



Tools Required



(Not included)

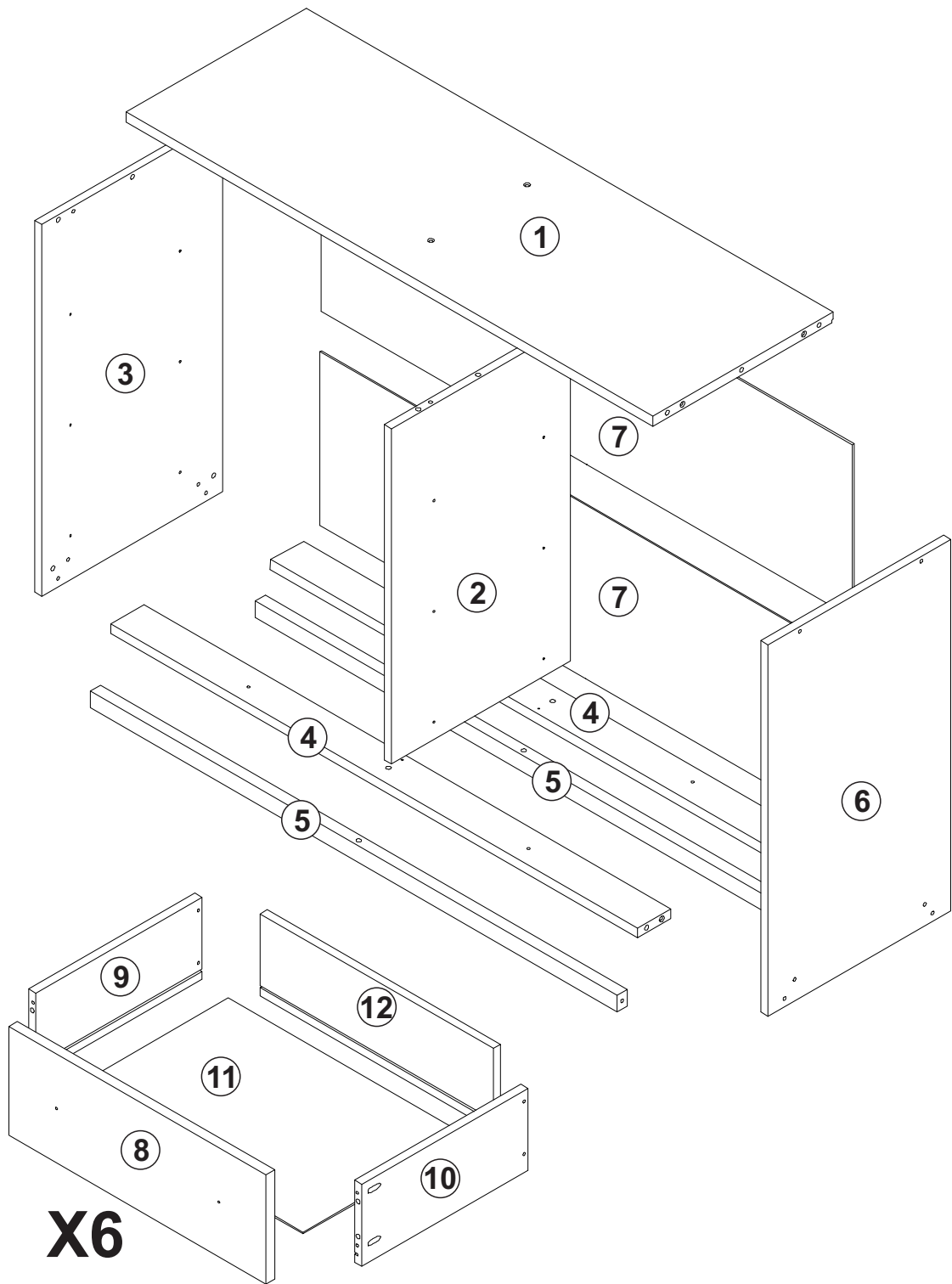


(Not included)

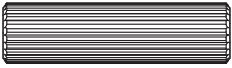
IMPORTANT:

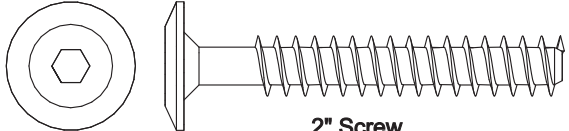
PLEASE READ INSTRUCTION BEFORE STARTING THE ASSEMBLY

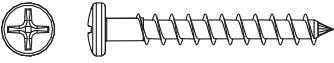
Part List - 7600 6 DRAWERS DRESSER





Identifying the Hardware-Identify the hardware using the illustrations below.

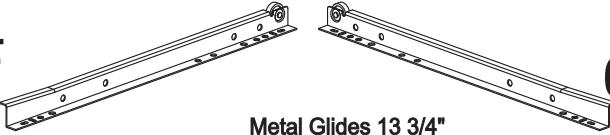
A  Qty **39**
1 3/16" Wood Dowel

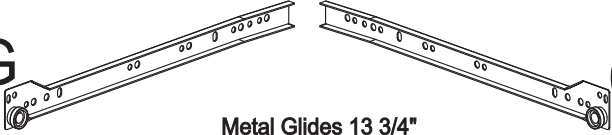
B  Qty **20**
2" Screw

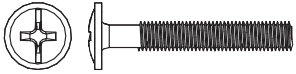
C  Qty **54**
1 3/16" Screw

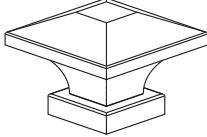
D  Qty **36**
3/8" Screw


E  Qty **12**
1/4" Screw


F  Qty **06**
Metal Glides 13 3/4"

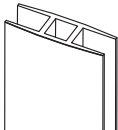
G  Qty **06**
Metal Glides 13 3/4"

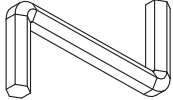
H  Qty **12**
1" Screw

I  Qty **12**
Metal Knob

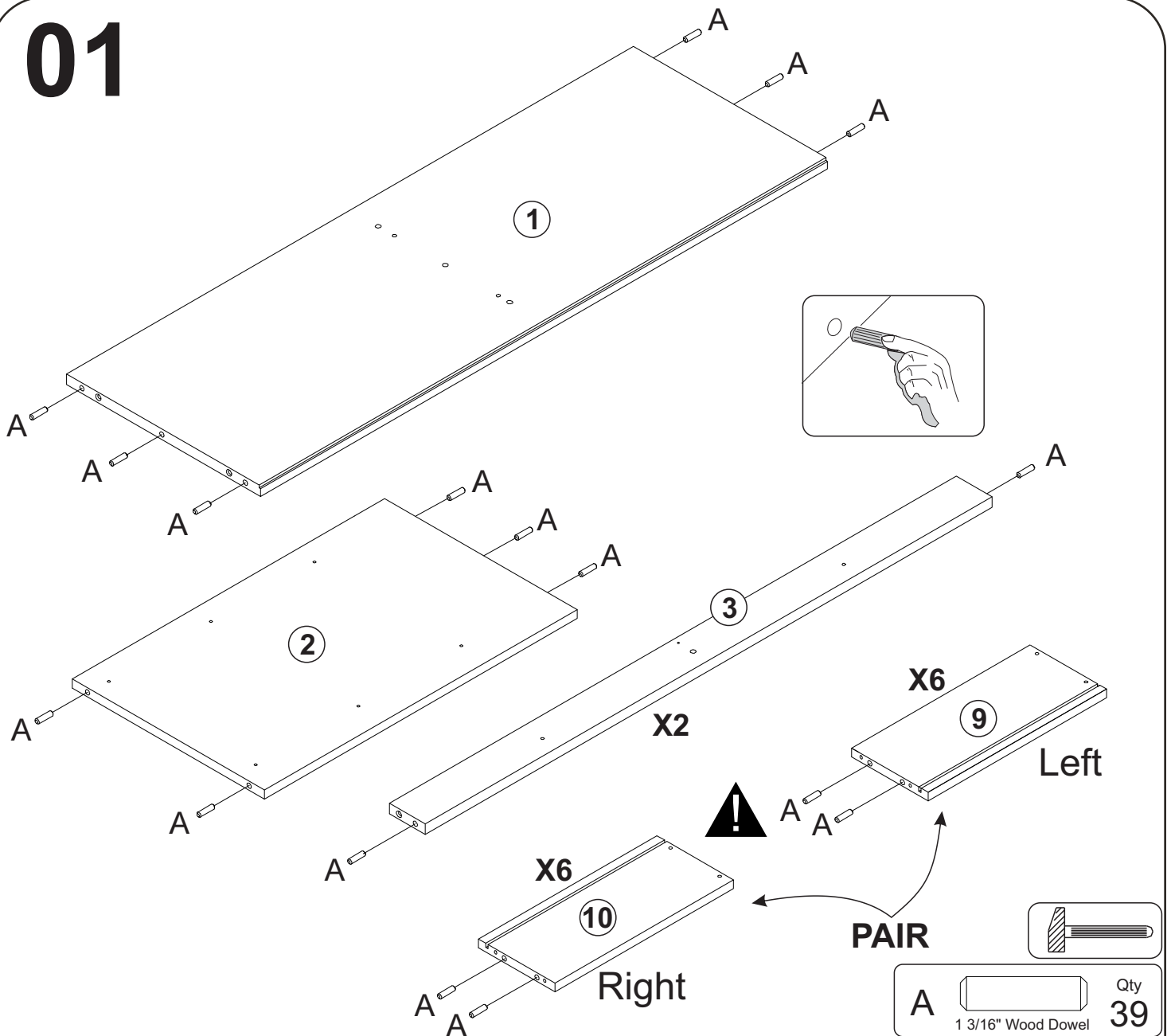
J  Qty **06**
Plastic Foot

K  Qty **28**
0 7/8"

L  Qty **01**

M  Qty **01**
Hex Screwdriver

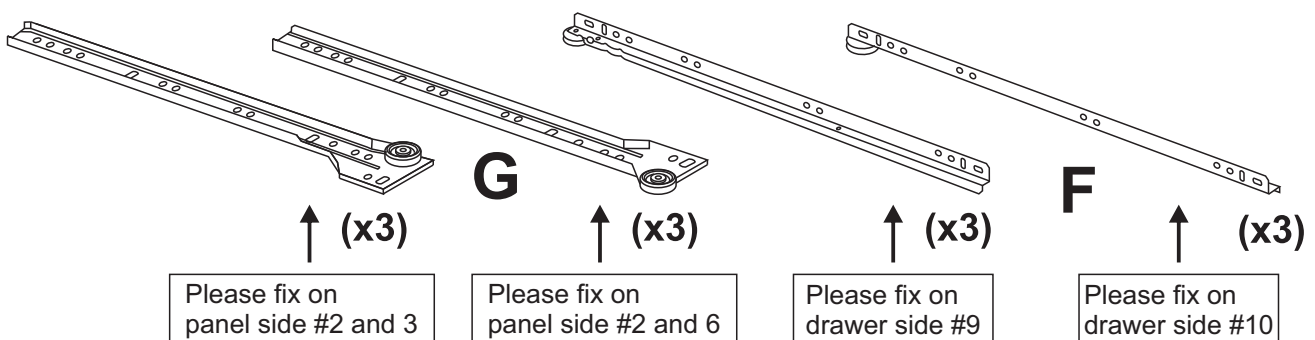
01



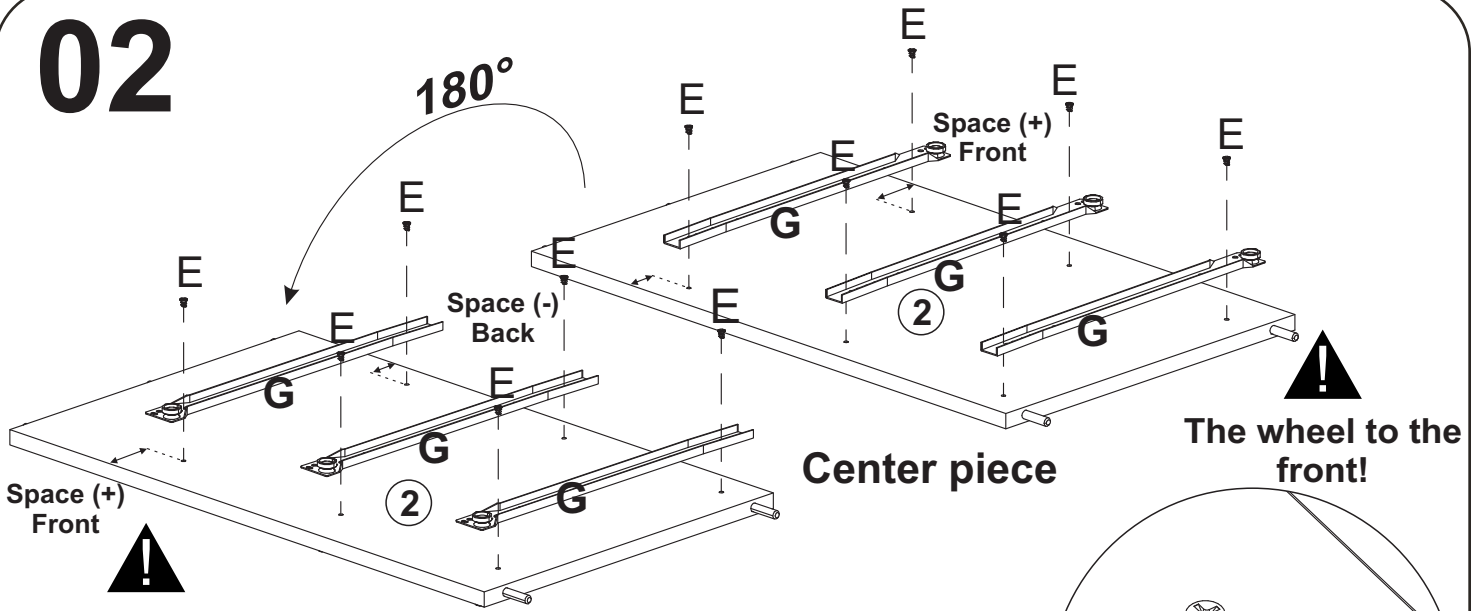
SET OF METAL GLIDES FOR THE DRAWERS

The metal glides hardware are all in one packed. Please separate the left and right pieces like a pair.

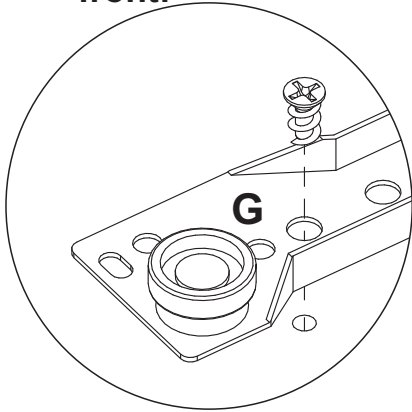
- The glides **#G** are used on chest panel side and has a left and middle pieces.
- The glides **#F** are used on drawers side, also has a left and right pieces.



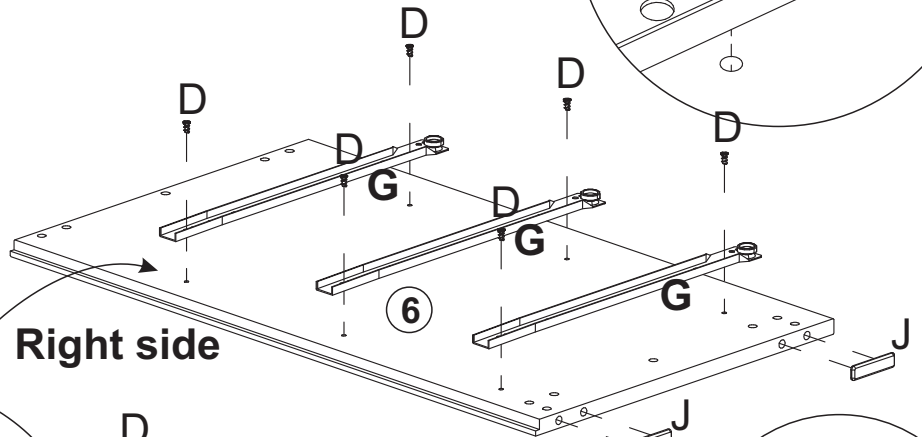
02



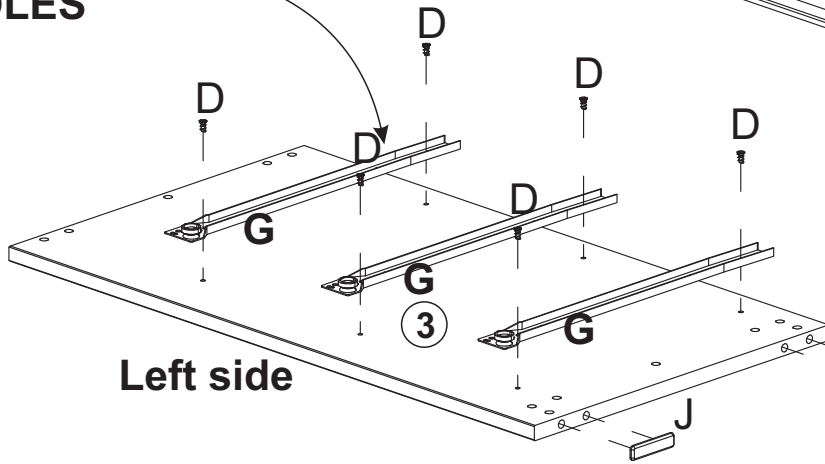
The wheel to the front!



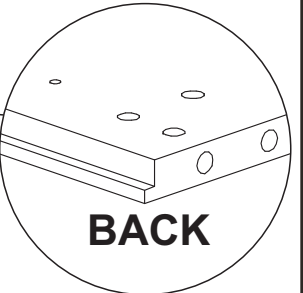
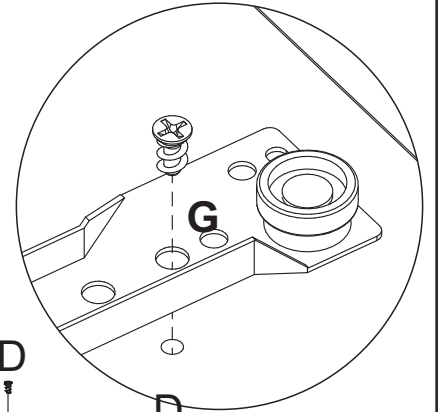
PRE DRILLED HOLES



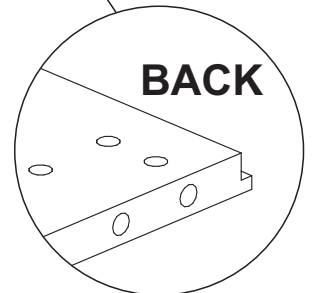
Right side



Left side



BACK



BACK

D		Qty 12
	3/8" Screw	

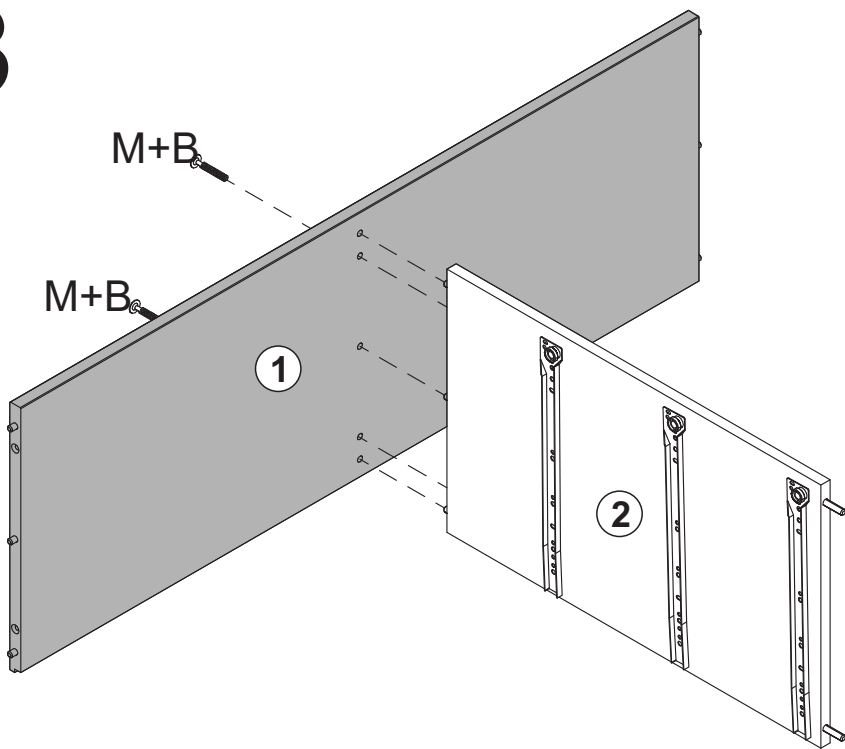
E		Qty 12
	1/4" Screw	

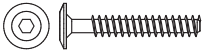
G		Qty 06
	Metal Glides 13 3/4"	

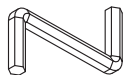
J		Qty 04
	Plastic Foot	



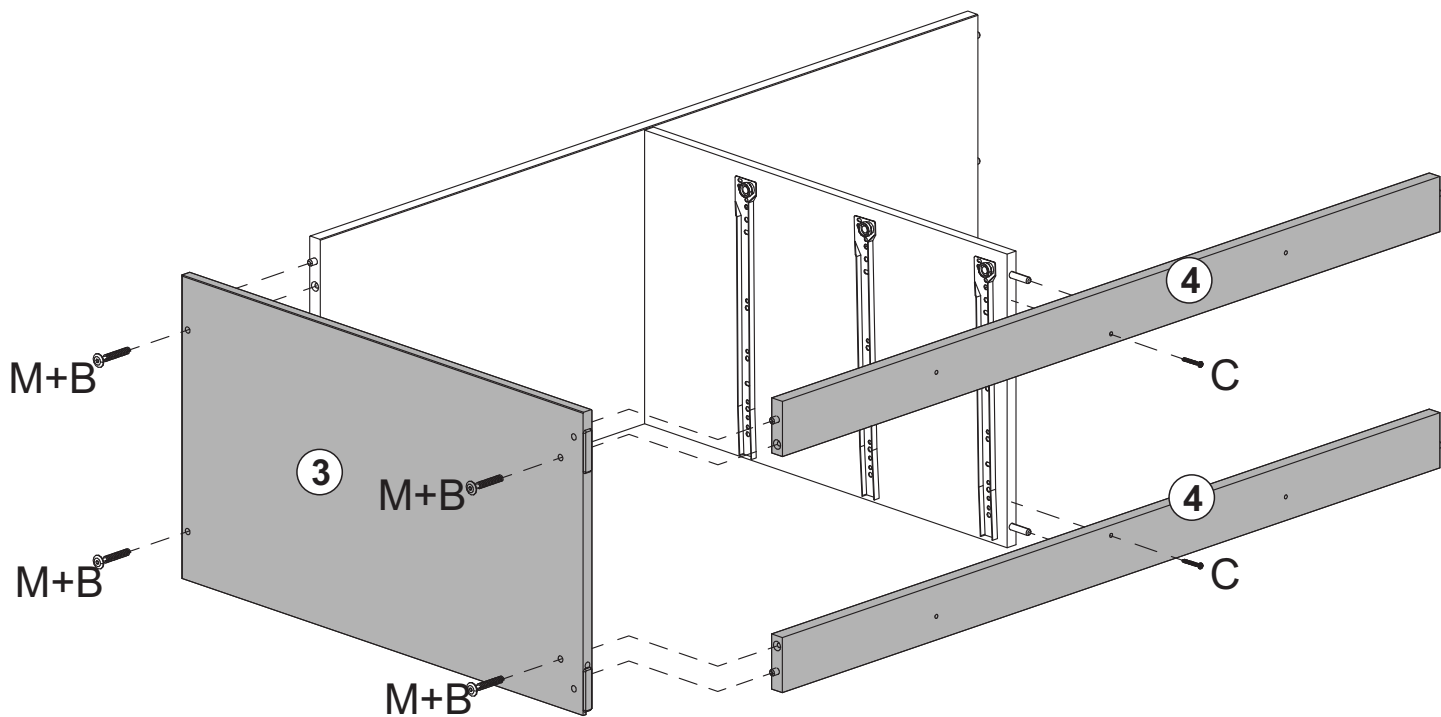
03

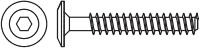


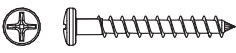
B  Qty **02**
2" Screw

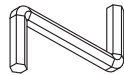
M  Hex Screwdriver Qty **01**

04

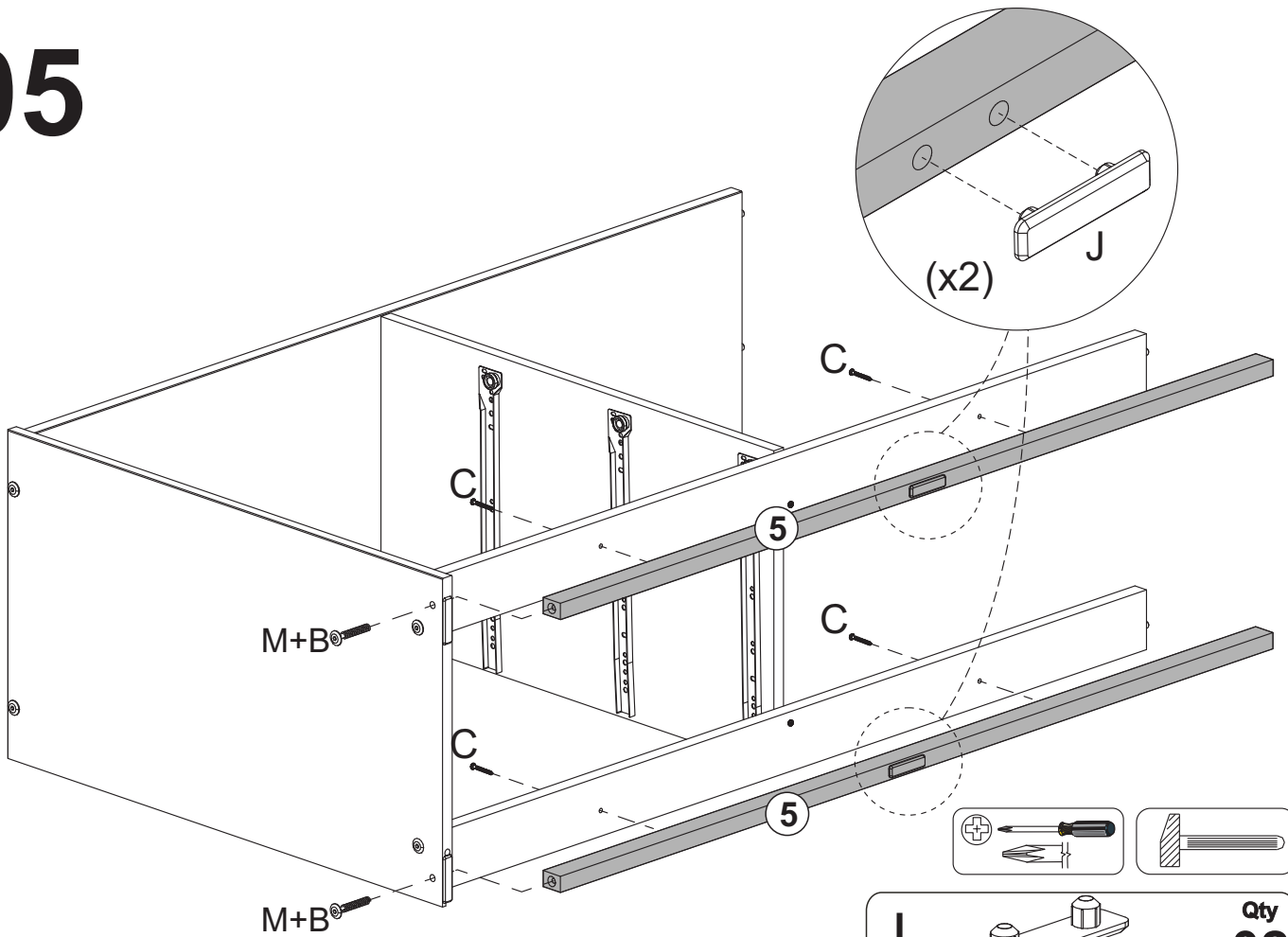


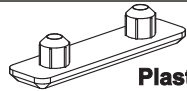
B  Qty **04**
2" Screw

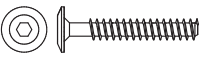
C  Qty **02**
1 3/16" Screw

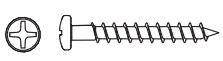
M  Hex Screwdriver Qty **01**

05



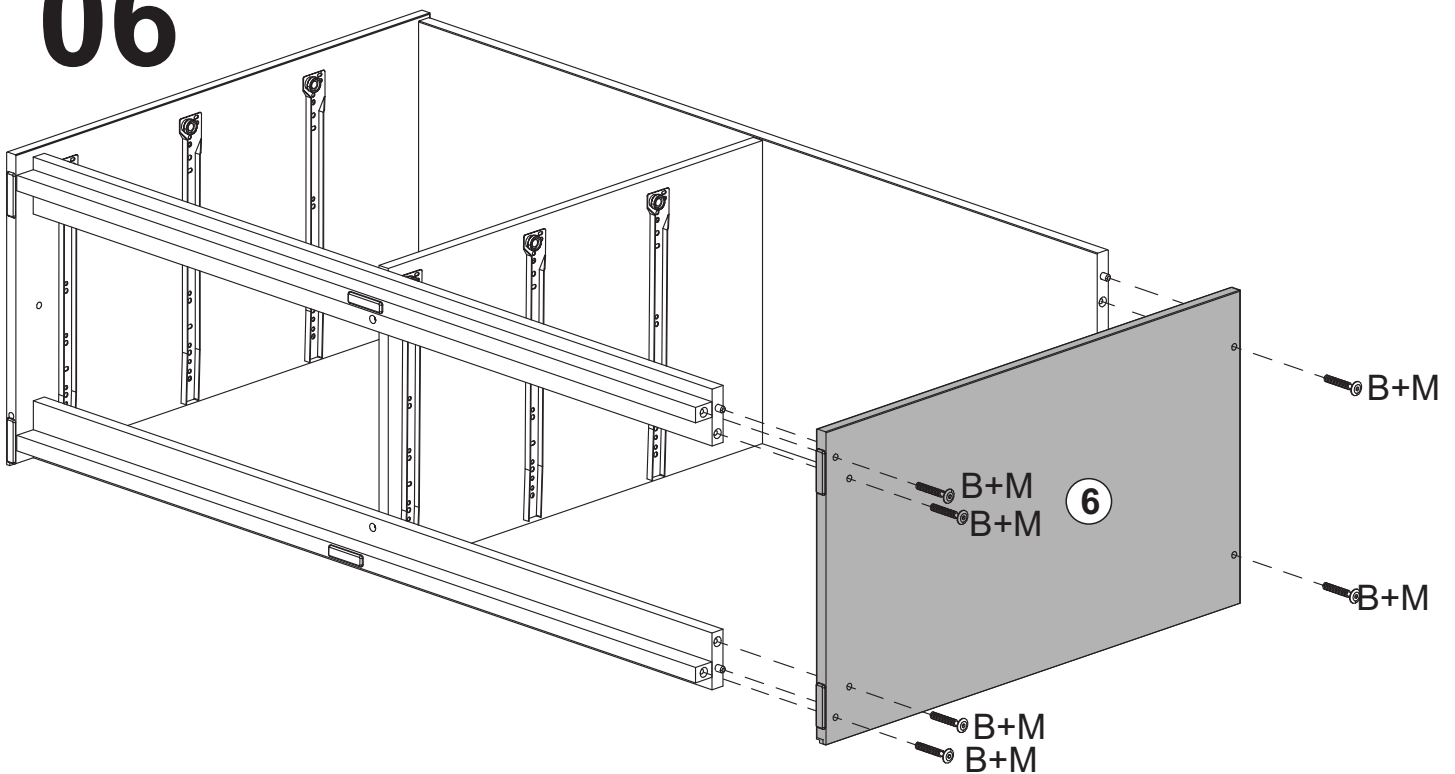
J  **Qty 02**
Plastic Foot

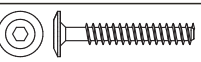
B  **Qty 02**
2" Screw

C  **Qty 04**
1 3/16" Screw

M  **Qty 01**
Hex Screwdriver

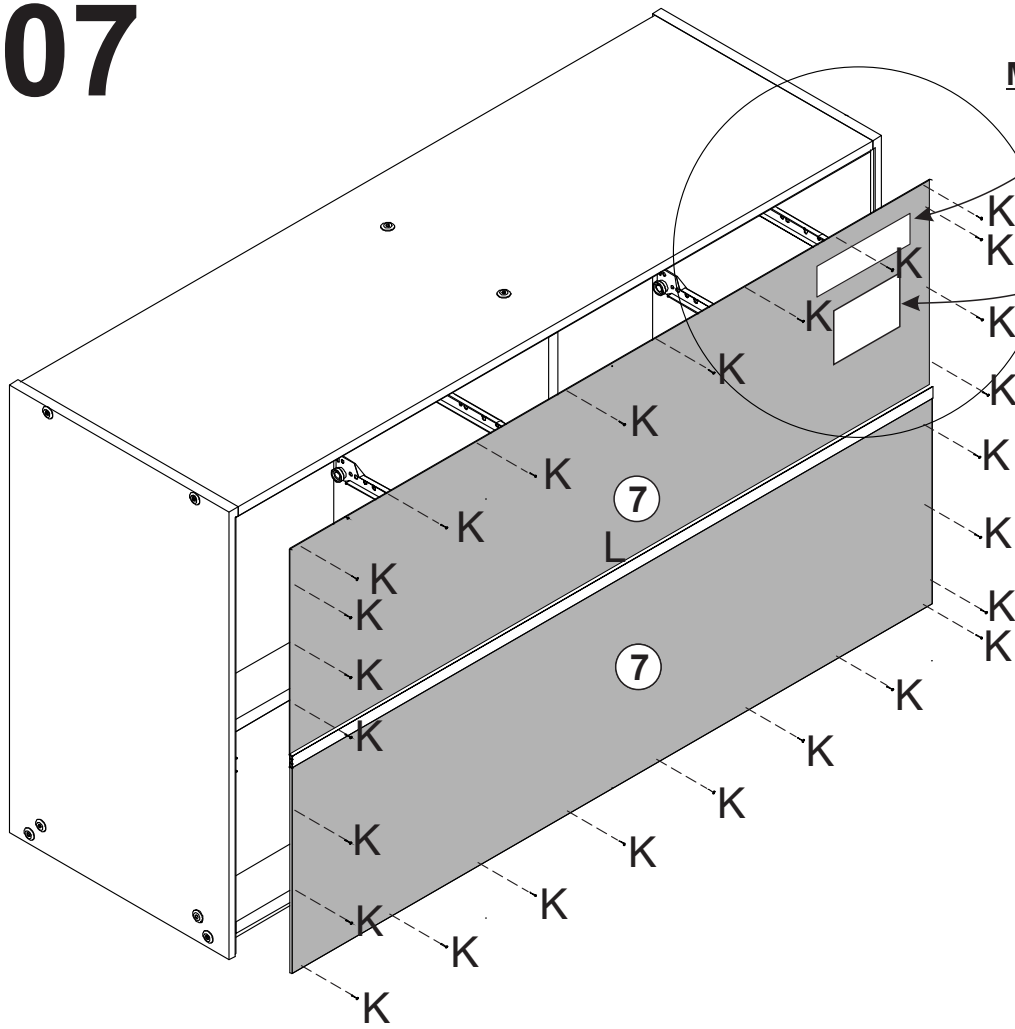
06



B  **Qty 06**
2" Screw

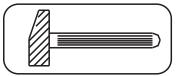
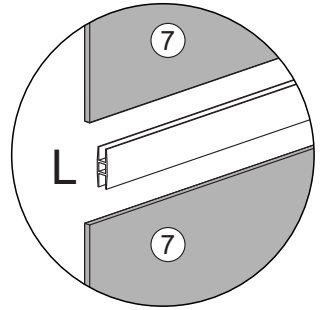
M  **Qty 01**
Hex Screwdriver

07

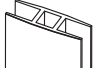


 **Manufacture Label**

Warning Label



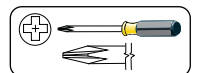
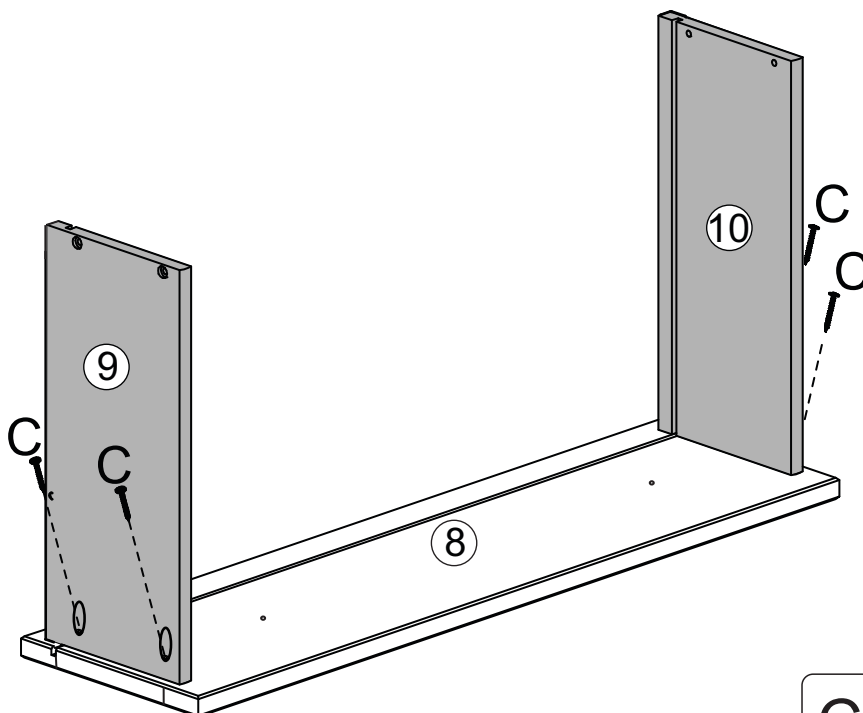
K  0 3/8" **Qty 28**

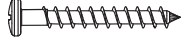
L  **Qty 01**

08

DRAWERS

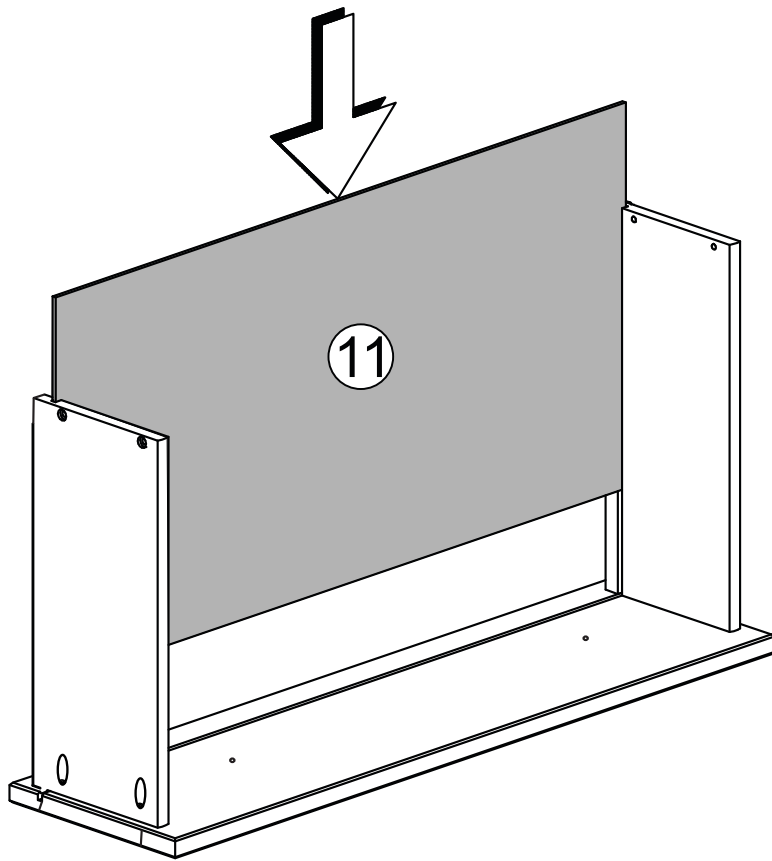
(x6)



C  1 3/16" Screw **Qty 24**

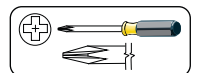
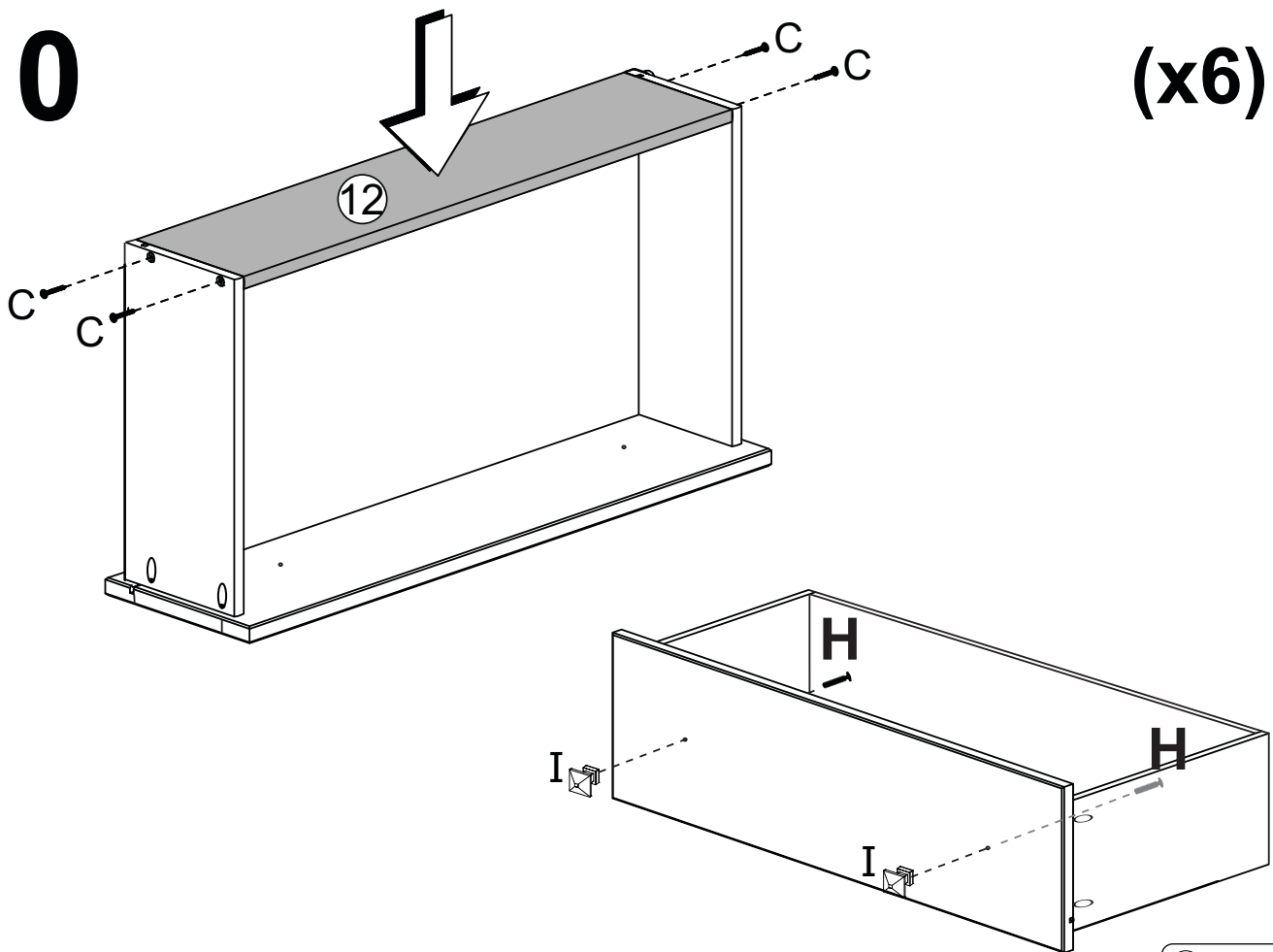
09


(x6)

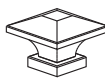



10

(x6)



C  **1 3/16" Screw** Qty **24**

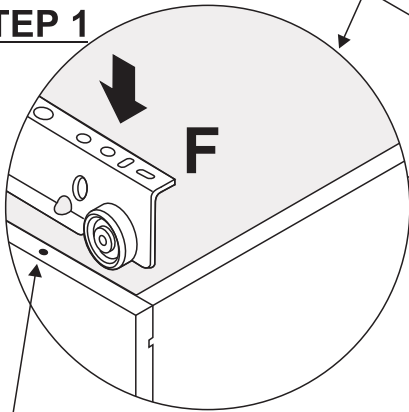
I  **Metal Knob** Qty **12**

H  **1" Screw** Qty **12**

11

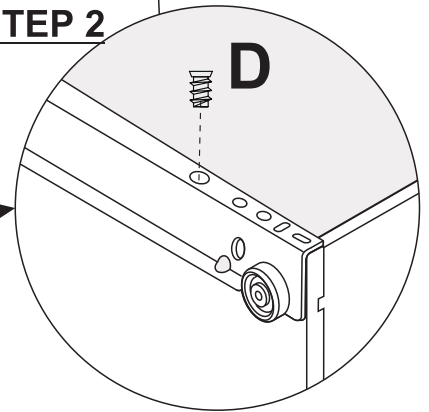
(x6)

STEP 1

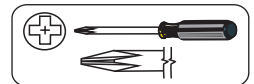




 PRE-DRILLED HOLES



STEP 2



 The wheel to the back !



D   3/8" Screw Qty **24**

F   Metal Glides 13 3/4" Qty **06**

12

