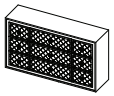









ASSEMBLY INSTRUCTIONS

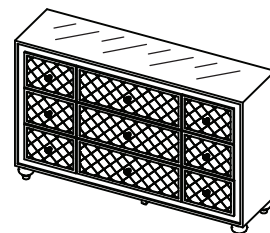
ITEM NO : B2100-1 / B2180-1
DRESSER

BOX OF DRESSER PART LIST

ITEM	DRAWING	DESCRIPTION	QTY
A		DRESSER	1
B		BUN FOOT **Is inside the Dresser Bottom Right Drawer	4
C		GLASS TOP **Packed in an inner box inside the Dresser Please handle with care	1
D		SUPPORT LEG WITH PLASTIC WASHER & ADJUSTER **Located in the Bottom Drawer	1

HARDWARE LIST

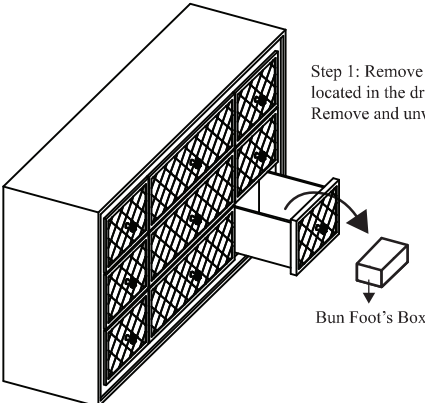
TIPPING RESTRAINT (Affix to wall behind Dresser) *Located in the Top Right Side Front Drawer of Dresser			
ITEM	DRAWING	DESCRIPTION	QTY
1		BRACKET	2
2		STRAP	1
3		LONG SCREW 50MM	1
4		SHORT SCREW 15MM	1



COMPLETED DRESSER ASSEMBLY

NOTE: GLASS TOP HANDLE WITH CARE "FRAGILE"

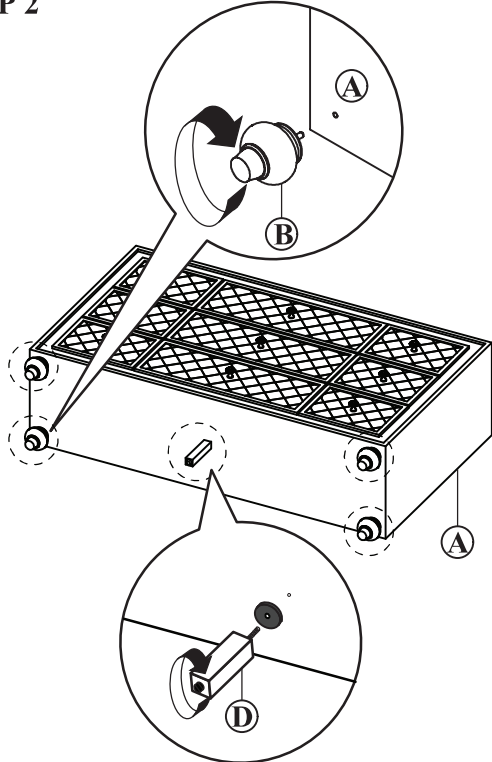
STEP 1



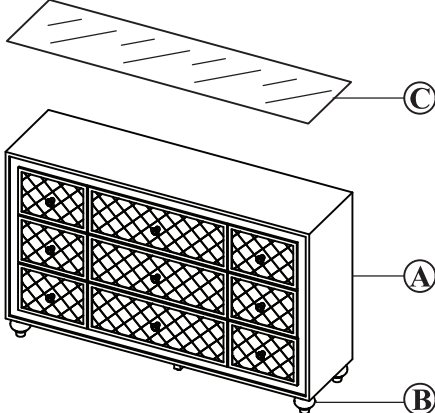
Step 1: Remove Bun Foot carton located in the drawer of the casegood. Remove and unwrap each foot.

Bun Foot's Box

STEP 2



STEP 3



Step 3: Place the Glass Top (C) to the top surface of Dresser (A).

NOTE :
THE GLASS TOP (C) IS PACKED BETWEEN THE 2 PICES OF POLYFOAM, WITH A "GLASS TOP" STICKER, WHICH IS NOTICEABLE UPON REMOVING THE CARTON BOX.

THE HARDWARE IS LOCATED IN THE PACKING ITEMS.

THE ANTI TIPPING HARDWARE IS LOCATED IN THE TOP RIGHT SIDE FRONT DRAWER OF THE DRESSER.

NOTE : PERIODICALLY CHECK TO ENSURE THAT ALL CONNECTORS (BOLTS, SCREWS, ETC.) ARE TIGHT.

CLEANING INSTRUCTION

After assembly, clean & polish the completed parts if necessary with soft cloth and industrial recognized furniture polish

MADE IN MALAYSIA

ANTI-TIPPING INSTALLMENT INSTRUCTIONS

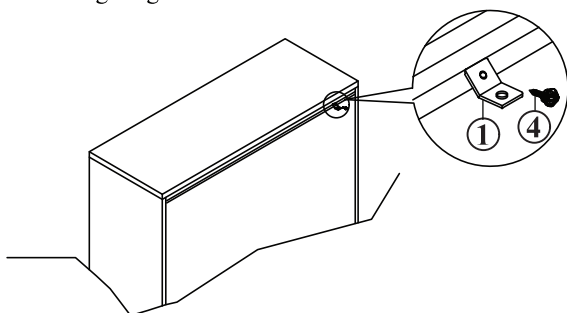
ITEM NO : B2100-1 / B2180-1
DRESSER

WARNING

Injury may result from tipping furniture.
This restraint may protect against tipping furniture.
Do not allow children to climb on furniture.
This restraint is not a substitute for proper adult supervision.
Failure to detach this restraint before moving the furniture may result injury and damage.

STEP 1

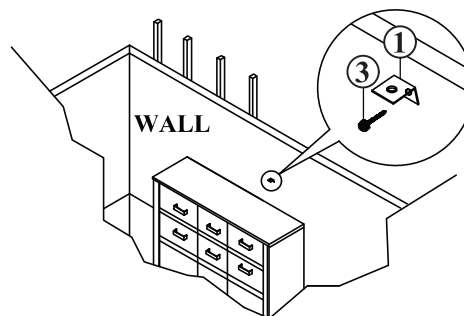
This tip restraint must be attached to a wall stud using long screw enclosed.



Attach a bracket securely to the back top rail of the furniture using short screw provided, through the smaller hole.

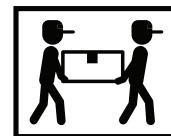
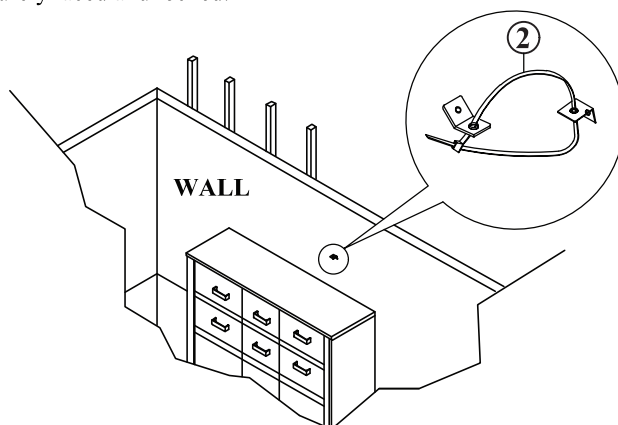
STEP 2

Locate the other bracket on the wall over a wall stud and two inches below the mounting bracket secured to the back of the furniture. Attach the wall stud using the long screw provided, through the smaller hole.



STEP 3

Place the furniture into position so both mounting brackets are vertically in line. Lace the end of the restraint strap through the larger hole in each mounting bracket. Bring both ends together and slide the flat end through the locking end and draw it through until all slack is removed. Confirm that the strap is securely laced and locked.



THE HARDWARE IS LOCATED IN THE PACKING ITEMS.

THE ANTI TIPPING HARDWARE IS LOCATED IN THE TOP RIGHT SIDE FRONT DRAWER OF THE DRESSER.

NOTE : PERIODICALLY CHECK TO ENSURE THAT ALL CONNECTORS (BOLTS, SCREWS, ETC.) ARE TIGHT.

CLEANING INSTRUCTION

After assembly, clean & polish the completed parts if necessary with soft cloth and industrial recognized furniture polish

MADE IN MALAYSIA