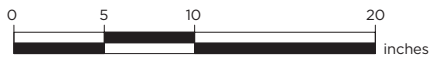
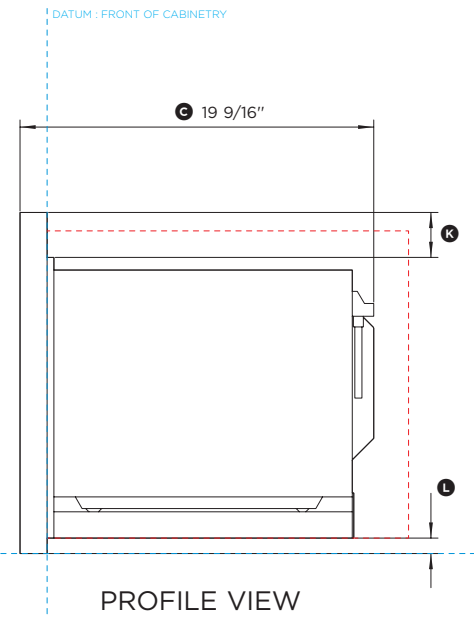
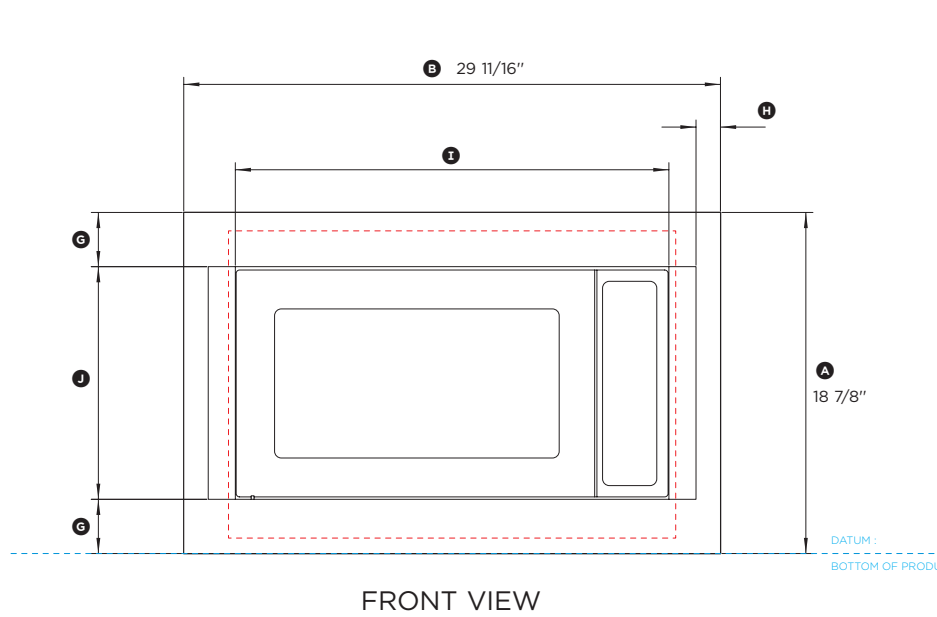
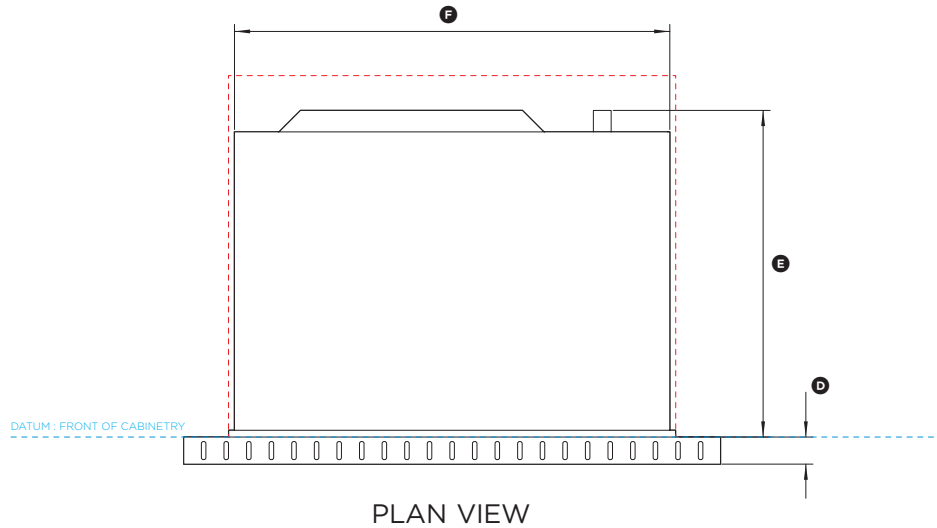


DATA SHEET

24" MICROWAVE OVEN WITH TRIM KIT



Model no:

MO24SS2 with MOTTKFP

(refer page 2 for metric measurements)

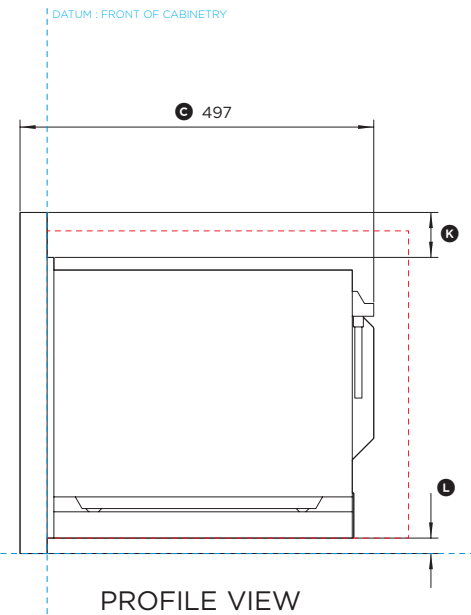
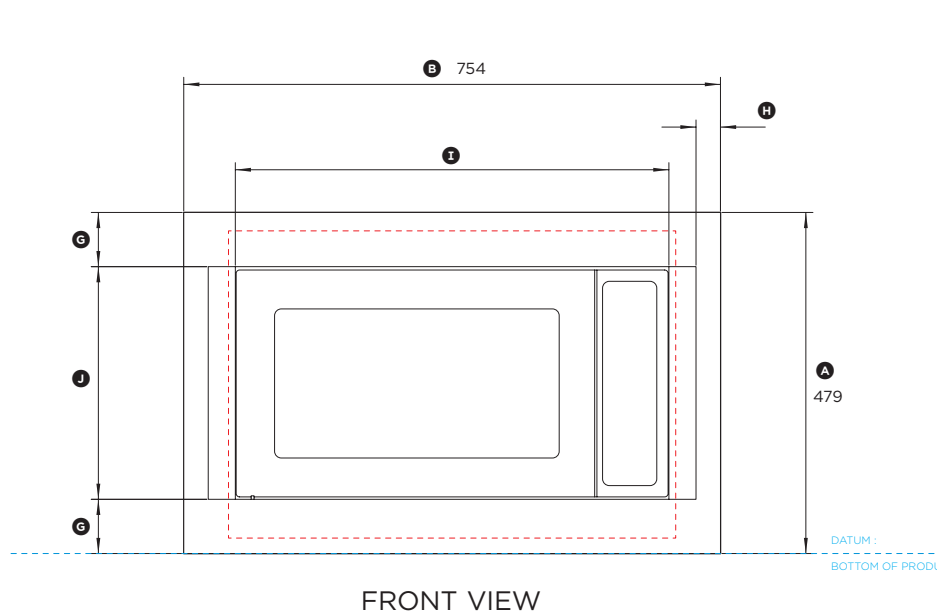
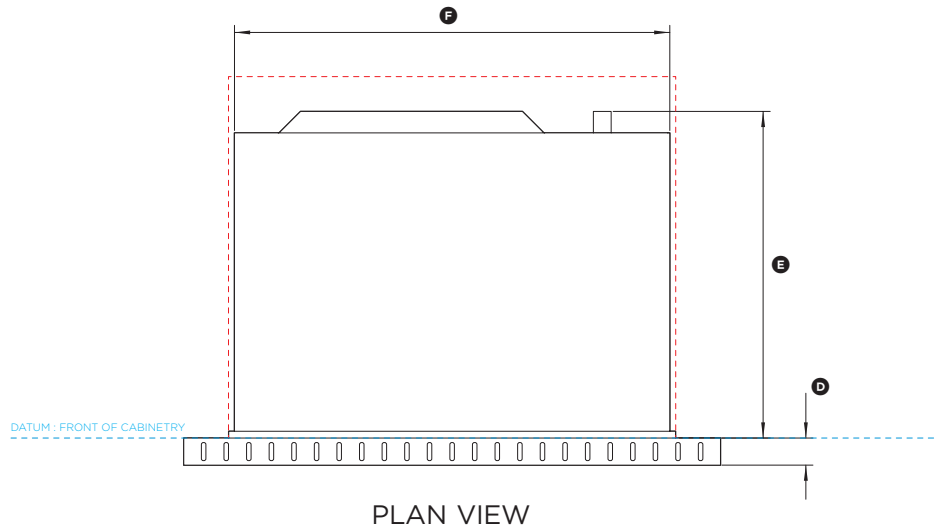
Product Dimensions	in
Ⓐ Overall height of trim kit	18 7/8"
Ⓑ Overall width of trim kit	29 11/16"
Ⓒ Overall depth of trim kit with microwave	19 9/16"
Ⓓ Depth of surround	1 1/2"
Ⓔ Depth of microwave inside cabinet	18 7/8"
Ⓕ Width of microwave	24"
Ⓖ Height of surround horizontals	3"
Ⓗ Width of surround verticals - front faces	1 3/8"
Ⓙ Width of surround opening	24"
Ⓚ Height of surround opening	12 7/8"
Ⓛ Height from top of surround to top of flange inside cabinet	1"
Ⓜ Height from bottom of surround to bottom of cavity	7/8"

Minimum Clearances	in
Minimum inside height of cavity	17"
Minimum inside width of cavity	24 3/4"
Minimum inside depth of cavity from front datum	min 20"

INDICATES PRODUCT / CABINETRY DATUM -----
 INDICATES CLEARANCES -----

DATE: **20.08.2015**

IMPORTANT NOTE: Throughout this guide, dimensions may vary by ±2mm (3/32"). Please read the installation manual for detailed information on installing the product. www.fisherpaykel.com



Model no:

MO24SS2 with MOTTKFP

(refer page 1 for imperial measurements)

Product Dimensions	mm
Ⓐ Overall height of trim kit	479
Ⓑ Overall width of trim kit	754
Ⓒ Overall depth of trim kit with microwave	497
Ⓓ Depth of surround	38
Ⓔ Depth of microwave inside cabinet	480
Ⓕ Width of microwave	608
Ⓖ Height of surround horizontals	76
Ⓗ Width of surround verticals - front faces	34
Ⓙ Width of surround opening	610
Ⓚ Height of surround opening	327
Ⓛ Height from top of surround to top of flange inside cabinet	25
Ⓜ Height from bottom of surround to bottom of cavity	22

Minimum Clearances	mm
Minimum inside height of cavity	432
Minimum inside width of cavity	629
Minimum inside depth of cavity from front datum	min 508

INDICATES PRODUCT / CABINETRY DATUM -----
 INDICATES CLEARANCES -----

DATE: 20.08.2015

IMPORTANT NOTE: Throughout this guide, dimensions may vary by ±2mm (3/32"). Please read the installation manual for detailed information on installing the product. www.fisherpaykel.com