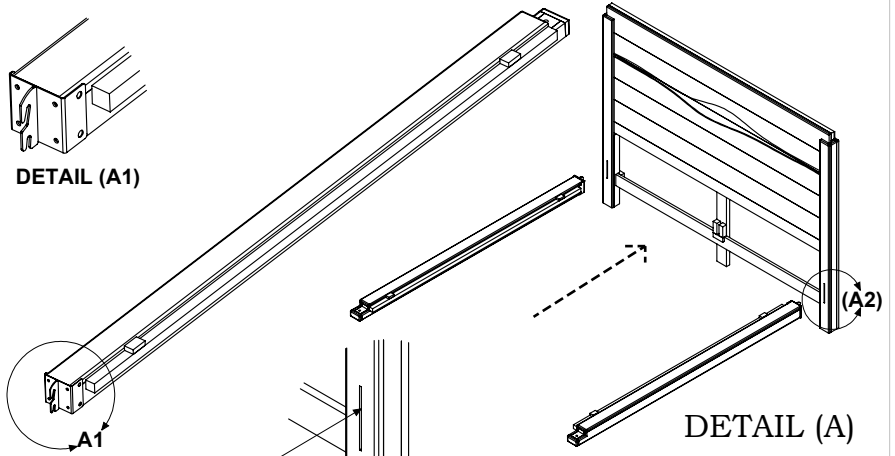


# ASSEMBLY INSTRUCTIONS

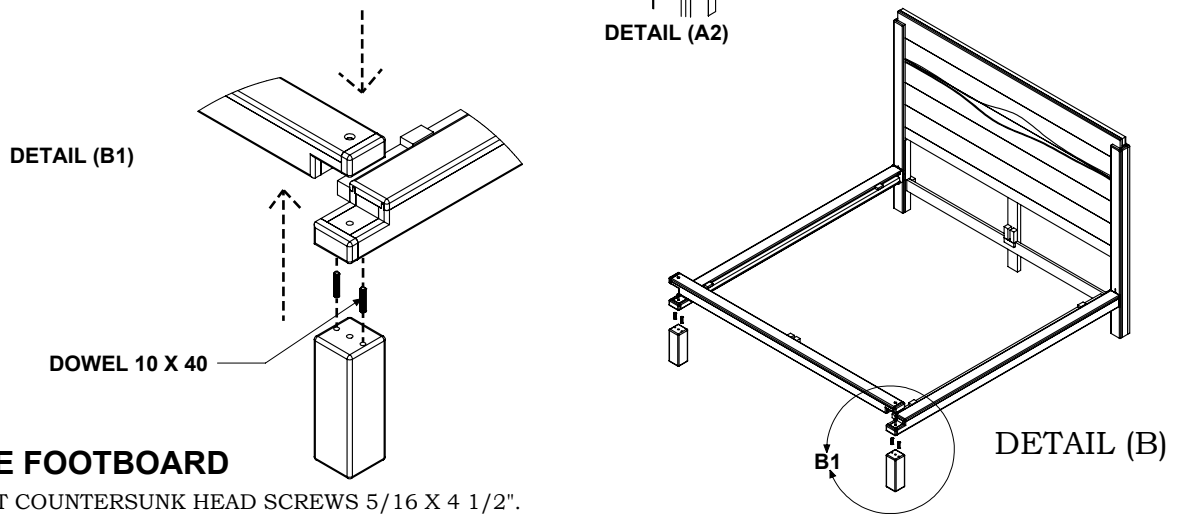
## STEP 1 SIDE RAIL INSTALLATION

WITH SOMEONE'S HELP, WE PLACED THE HEADER, ON A CLEAN, FLAT SURFACE, AND WITH THE ASSISTANCE OF A HELPER, LEAN THE HEADBOARD AGAINST A WALL. ALIGN THE SIDE RAIL HOOKS WITH THE CORRESPONDING SLOTS ON THE HEADBOARD. REPEAT THIS PROCESS FOR THE OPPOSITE RAIL (AS SHOWN IN DETAIL A , A1 AND A2)



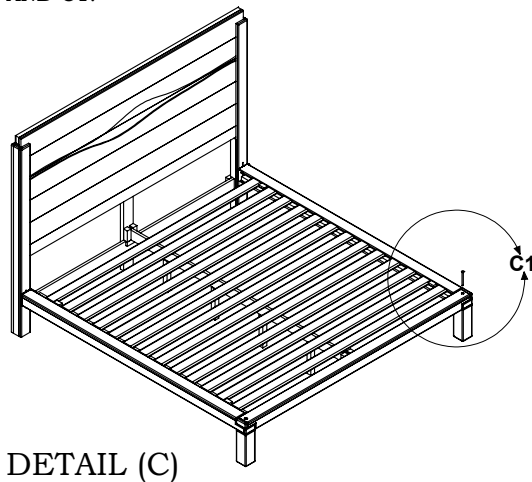
## STEP 2 FOOTBOARD ASSEMBLY

NEXT, PLACE THE LEG OF THE FOOTBOARD WITH THE HELP OF THE , AS SHOWN IN DETAILS B, AFTER THAT PLACE THE THE FOOTBOARD, ALIGNING IT WITH THE HOLES OF THE RAILS

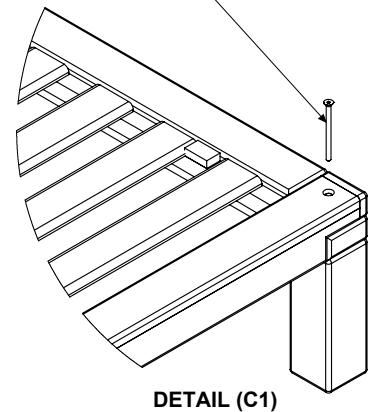


## STEP 3 SECURING THE FOOTBOARD

LOCATE THE HEX SOCKET FLAT COUNTERSUNK HEAD SCREWS 5/16 X 4 1/2". ALIGN THEM WITH THE HOLES IN THE FOOTBOARD AND TIGHTEN USING THE 3/16" HEX KEY UNTIL THEY ARE FLUSH, AS SHOWN IN FIGURES C AND C1.



HEX SOCKET FLAT COUNTERSUNK HEAD SCREW 4 1/2"



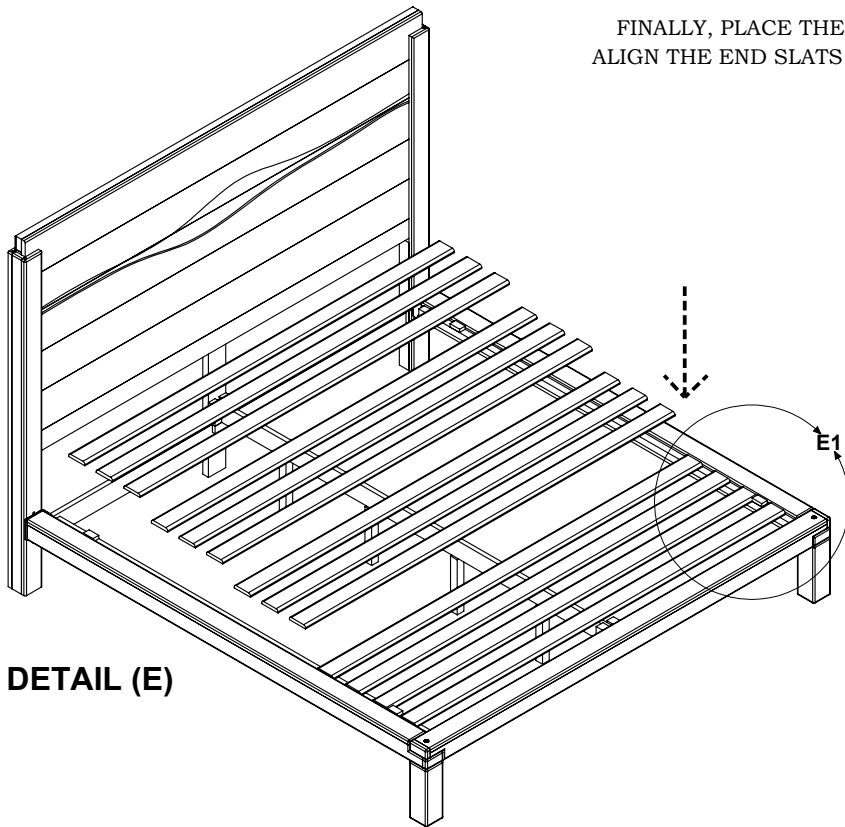
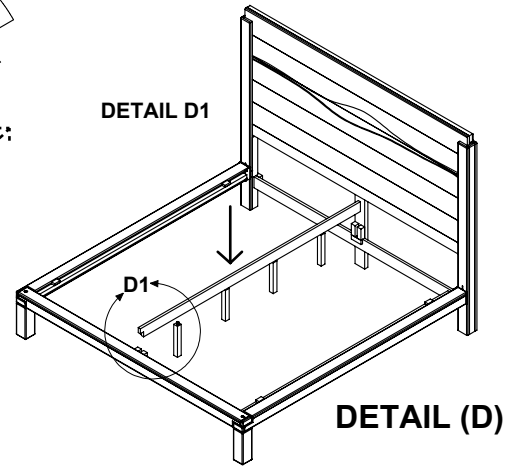
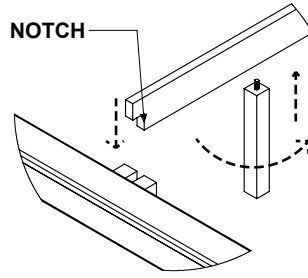
#	DESCRIPTION
2	HEX SOCKET FLAT COUNTERSUNK HEAD SCREW 4-1/2"
1	HEX KEY 3/16"
4	DOWEL 10 X 40



# ASSEMBLY INSTRUCTIONS

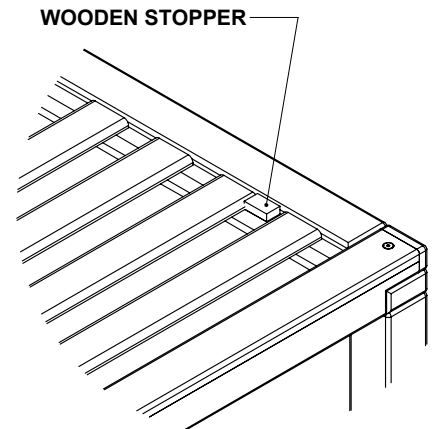
## STEP 4 CENTER RAIL PREPARATION

NEXT, LOCATE THE CENTER RAIL AND SCREW IN THE ADJUSTABLE FEET UNTIL FULLY TIGHTENED. ENSURE THE NOTCHED END FACES THE FOOTBOARD, AS SHOWN IN DETAILS D AND D1.



## STEP 5 SLAT INSTALLATION

FINALLY, PLACE THE SLAT ROLL ON THE FRAME. AS SHOWN IN DETAIL E1, ALIGN THE END SLATS WITH THE WOODEN STOPPER BLOCKS AT BOTH SIDES



DETAIL E1  
SCALE 1 : 12

DETAIL (E)

#	DESCRIPTION
2	HEX SOCKET FLAT COUNTERSUNK HEAD SCREW 4-1/2"
1	HEX KEY 3/16"
4	DOWEL 10 X 40

I-PLT-E023