










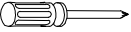
ASSEMBLY INSTRUCTION

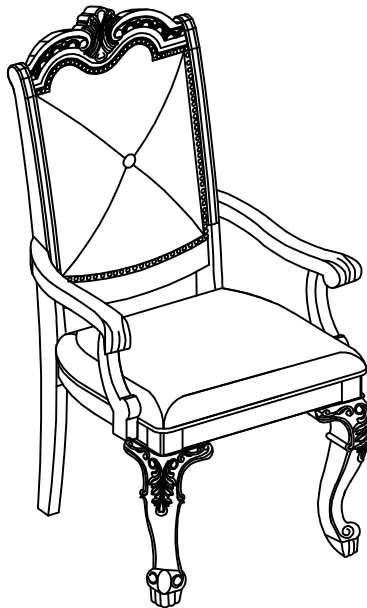
CROWN MARK MODEL: 2149A/2150A ARM CHAIR

PARTS LIST

1		CHAIR BACK	1 PC
2		SEAT	1 PC
3		ARM (LEFT/RIGHT)	2 PC
4		FRONT LEG	2 PC

HARDWARE LIST

A		Ø5/16"-18x1-1/2"L (CHAIR BACK CENTER & ARM)	3 PCS
B		Ø5/16"-18x2-1/2"L (FRONT LEG)	4 PCS
C		Ø5/16"-18x3"L (CHAIR BACK LEG CORNER)	4 PCS
D		Ø5/16"	1 PC
E		#4*1-1/2"	2 PCS
ASSEMBLY TOOL NOT INCLUDED			



THE HARDWARE IS LOCATED
IN THE PACKING ITEMS.

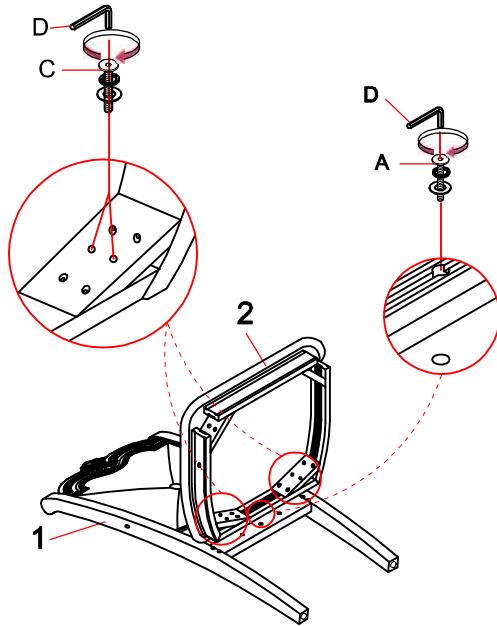
NOTE:
DURING ASSEMBLY DO NOT FULLY
TIGHTEN ANY HARDWARE UNTIL THE
COMPLETE UNIT HAS BEEN ASSEMBLED.

NOTE: MUST TIGHTEN SCREWS PERIODICALLY WITH USE SCREWS WILL
BECOME LOOSE. CHECK TIGHTNESS OF ALL SCREWS EVERY 6-8 WEEKS.

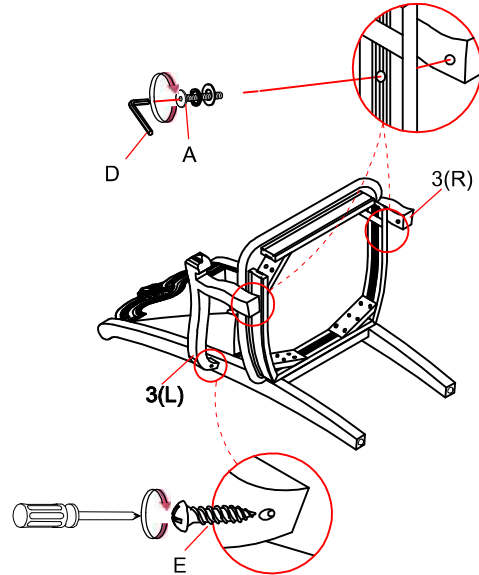
ASSEMBLY INSTRUCTION

CROWN MARK MODEL: 2149A/2150A ARM CHAIR

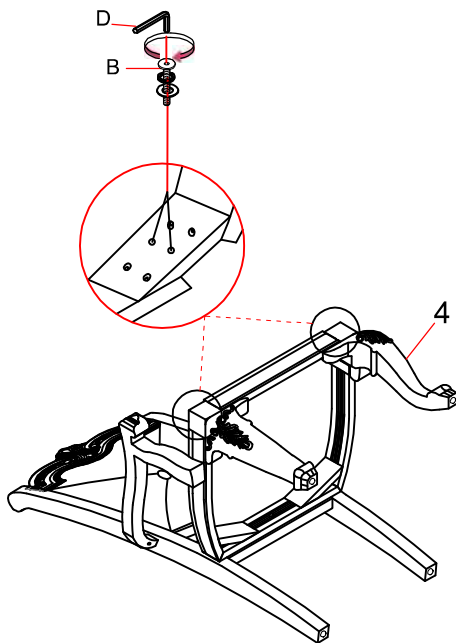
Step 1



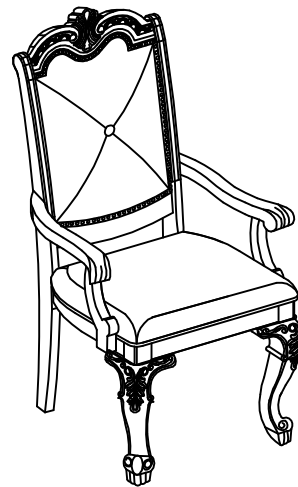
Step 2



Step 3



Step 4



THE HARDWARE IS LOCATED
IN THE PACKING ITEMS.

NOTE:
DURING ASSEMBLY DO NOT FULLY
TIGHTEN ANY HARDWARE UNTIL THE
COMPLETE UNIT HAS BEEN ASSEMBLED.

NOTE: MUST TIGHTEN SCREWS PERIODICALLY WITH USE SCREWS WILL
BECOME LOOSE. CHECK TIGHTNESS OF ALL SCREWS EVERY 6-8 WEEKS.