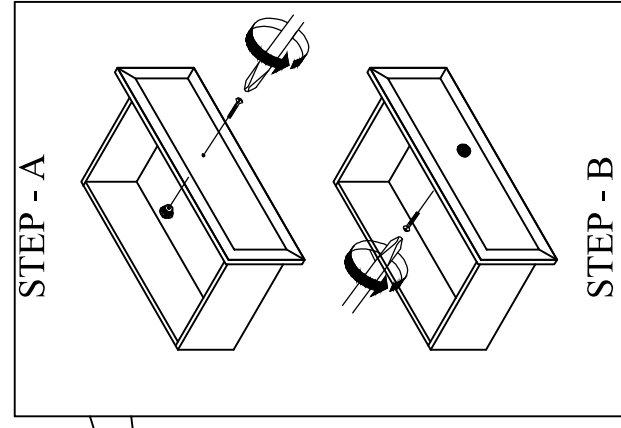
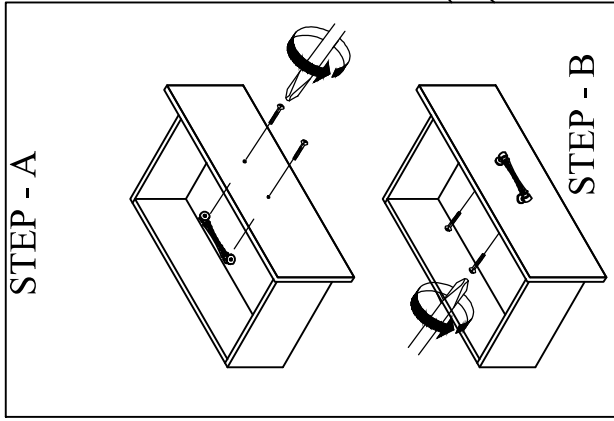
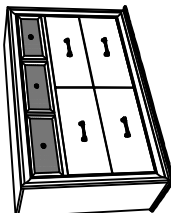



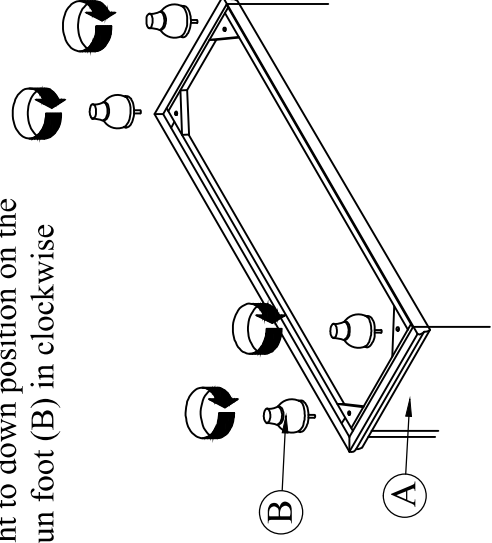
# ASSEMBLY INSTRUCTIONS

**STEP 1 :** Remove handle using a Philips head screw driver as shown in illustration STEP - A. Re-install the handle as per diagram STEP - B. Repeat STEP - A STEP - B until handle are attached correctly.



<b>CROWNMARK</b> MODEL : B4390-1 DRESSER		
No	ITEM	Qty
A	 DRESSER	1 PC
B	BUN FOOT 	4 PCS

**STEP 2 :** Put the casegood body upright to down position on the clean surface. Turning the bun foot (B) in clockwise position for tighten.



**NOTE :** MUST TIGHTEN SCREWS **PERIODICALLY** WITH USE SCREW WILL BECOME LOOSE CHECK TIGHTNESS OF ALL SCREW EVERY 6-8 WEEKS.