

FISHER & PAYKEL

WALL RANGE HOOD, CHIMNEY PYRAMID

CLASSIC

HC24PCX1, HC30PCX1, HC30PCB1, HC30PCR1, HC30PCW1, HC36PCX1,
HC36PCB1, HC36PCR1 & HC36PCW1

INSTALLATION GUIDE

US CA

Safety and warnings	4
Components list	6
Prior to installation	7
Product dimensions – 24" models	8
Product dimensions – 30" models	10
Product dimensions – 36" models	12
Installation height	14
Attachment dimensions	15
Venting options	16
Recirculation installation	17
Chimney extension	18
Electrical requirements	19
Prepare range hood	20
Attach brackets and mounting screws	21
Hang range hood	22
Electrical connection	23
Attach chimney	24
Final checklist	25

Registration

To register your product visit our website: fisherpaykel.com/register

SAFETY AND WARNINGS

⚠ WARNING!



Electric Shock Hazard

Failure to follow this advice may result in electric shock or death.

- Installation work and electrical wiring must be done by qualified person(s) in accordance with all applicable codes and standards, including fire-rated construction.
- To reduce the risk of fire or electric shock, do not use this fan with any solid-state speed control device.

⚠ WARNING!



Weight Hazard

Failure to follow this advice may result in personal injury

- The appliance is heavy. Please ensure adequate care is taken when installing the appliance to prevent personal injury. The appliance must be installed onto a solid wall, stud, beam or truss.
- **Product weight:** HC24 42 lb (19 kg), HC30 35 lb (21.5 kg), HC36 37 lb (23.8 kg).

READ AND SAVE THESE INSTRUCTIONS

WARNING!

When using this appliance always exercise basic safety precautions including the following:

General

- Please read the entire set of instructions before installing or using this appliance.
- Please make this information available to the person installing the appliance.
- Always switch the power off prior to installation, servicing or cleaning of the appliance.
- The room must have adequate ventilation when the range hood is used at the same time as appliances burning gas or other fuels.
- Stainless steel or powdercoat is very easily damaged during installation if abraded or knocked by tools. It is recommended to protect the top of the appliance with cardboard or polystyrene during the installation to minimise the risk of damage occurring.
- To reduce the risk of damage occurring to the cooktop, it is recommended that the surface of the cooktop is protected with cardboard or a similar object during installation of the range hood.
- Attention should be given to ensure that any applicable regulations concerning the discharge of exhaust air are fulfilled.
- Before connecting any pipes, consult municipal ordinances to ensure that any applicable regulations concerning the discharge of exhaust air are adhered to and request permission from the person in charge of the building.
- Exhaust air must not be discharged into an existing flue that is used for exhausting fumes from appliances burning gas or other fuels.

WARNING! TO REDUCE THE RISK OF FIRE, ELECTRIC SHOCK, OR INJURY TO PERSONS, OBSERVE THE FOLLOWING:

- Installation work and electrical wiring must be done by qualified person(s) in accordance with all applicable codes and standards, including fire-rated construction.
- Sufficient air is needed for proper combustion and exhausting of gases through the flue (chimney) of fuel burning equipment to prevent back drafting. Follow the heating equipment manufacturer's guideline and safety standards such as those published by the National Fire Protection Association (NFPA), and the American Society for Heating, Refrigeration and Air Conditioning Engineers (ASHRAE), and the local code authorities.
- When cutting or drilling into wall or ceiling, do not damage electrical wiring and other hidden utilities.
- Ducted fans must always be vented to the outdoors.
- This unit must be grounded.
- Wear gloves to protect against sharp edges.

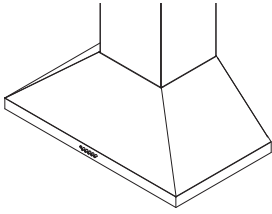
Electrical

- This appliance must be installed and connected to the mains power supply only by a qualified person according to these installation instructions and in compliance with any applicable local building and electricity regulations. Failure to install the appliance correctly could invalidate any warranty or liability claims.
- To comply with electrical safety regulations, the appliance must be plugged into a socket near the appliance. The socket must be accessible, or have an accessible isolating switch, to enable the end user to isolate the appliance from the power for the purpose of internal cleaning or maintenance.
- A power outlet should be within 750mm of the motor assembly and can either be on the wall, behind the chimney or in the ceiling.
- If the supply cord of this equipment is damaged, it must only be replaced by the manufacturer, its service agent or similarly qualified person in order to avoid a hazard.
- Ducting accessories are not supplied. All ducting must comply with local requirements and building codes.
- Electrical wiring must be done by qualified person(s) in accordance with all applicable codes and standards and the unit must be grounded.
- Installation work and electrical wiring must be done by qualified person(s) in accordance with all applicable codes and standards, including fire-rated construction.

Fire

- **WARNING:** To reduce the risk of fire, use only metal ductwork. Do not use flexible plastic ducting.
- **CAUTION:** To reduce risk of fire and to properly exhaust air, be sure to duct air outside – do not vent exhaust air into spaces within walls or ceilings or into attics, crawl spaces, or garages.
- To reduce the risk of fire and electric shock, install this range hood only with the integral blowers supplied with this range hood.
- The 8' metal duct adapter supplied with this rangehood must be used for connecting any ducting to this rangehood. Ducting should not be fitted onto the plastic blower outlet.

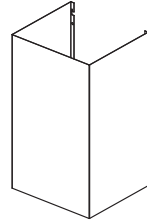
COMPONENTS LIST



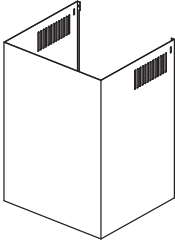
Range hood (1)



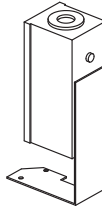
Installation guide (1)



Chimney (1)



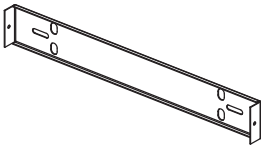
Upper chimney (1)



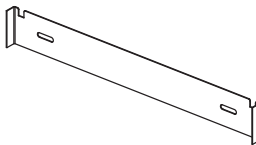
Power connection box (1)



3/8" (10 mm)
Self tapping
screw (4)



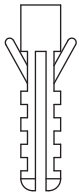
Upper chimney
bracket (1)



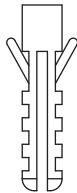
Chimney bracket (1)



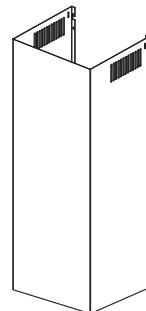
1 3/16" (30 mm)
Self tapping screw (10)



1 3/16" (30 mm)
Expansion plug (10)



1 3/4"(44 mm)
Drywall expansion plug (8)



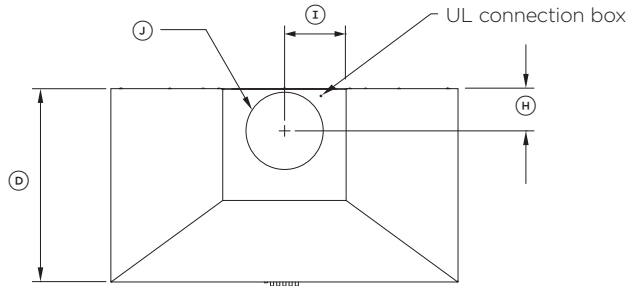
Coverduct extension

Optional accessory- not included with the appliance and must be purchased separately

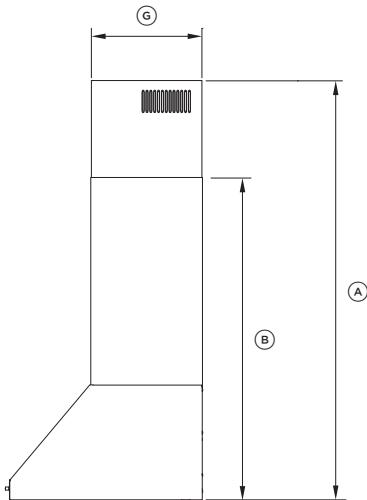
The manufacturer is not liable for any damage caused by not following these instructions.

- Unpack the range hood.
- Ensure the voltage (V) and the frequency (Hz) indicated on the rating plate match the voltage and frequency of the installation site.
- Check that the area behind the installation surface to be drilled is clear of any electrical cables or pipes etc.
- The range hood surfaces can be damaged during installation if grazed or knocked by tools. Please take care to protect the surfaces during installation.
- Protect the cooktop surface with cardboard, or the like, to prevent damage occurring whilst the range hood is being installed above.
- The wall used for mounting the range hood should have sufficient strength and a flat surface.

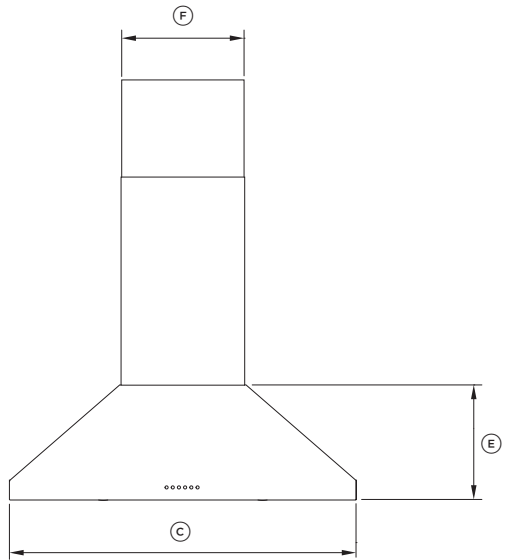
PRODUCT DIMENSIONS - 24" MODELS



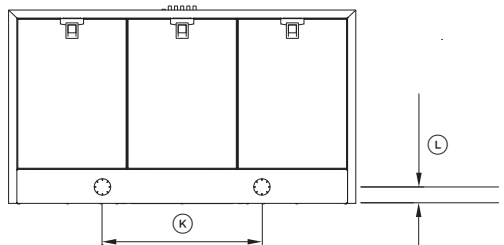
PLAN



PROFILE



FRONT



BOTTOM

PRODUCT DIMENSIONS - 24" MODELS

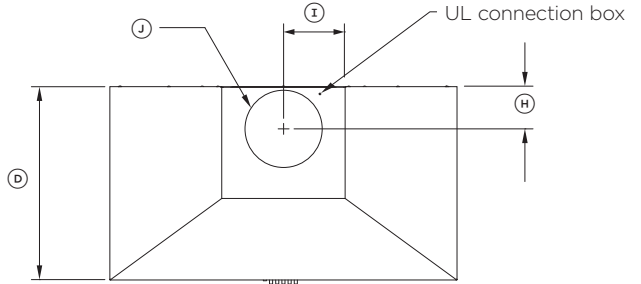
EN

PRODUCT DIMENSIONS	HC24	
	IN	MM
Ⓐ Maximum overall height of product	38 3/8	975
Ⓑ Minimum overall height of product	25 1/16	636
Ⓒ Overall width of product	23 9/16	598
Ⓓ Overall depth of product	19 11/16	500
Ⓔ Height of product	11 3/4	298
Ⓕ Width of chimney	12 5/8	320
Ⓖ Depth of chimney	11 7/16	290
Ⓗ Distance from center of ducting outlet to back of product	4 5/16	110
Ⓘ Distance from center of ducting outlet to side of chimney	6 5/16	160
Ⓙ Diameter of ducting outlet	7 7/8	200
Ⓚ Distance between center of lights	16 1/4	413
Ⓛ Distance between center of lights and back of product	1 5/8	42

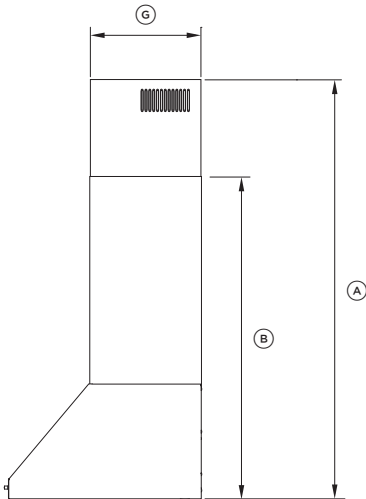
Actual product dimensions may vary by $\pm 1/16'$ (2mm).

*Maximum overall height of product with chimney extension= 57" 1450mm.

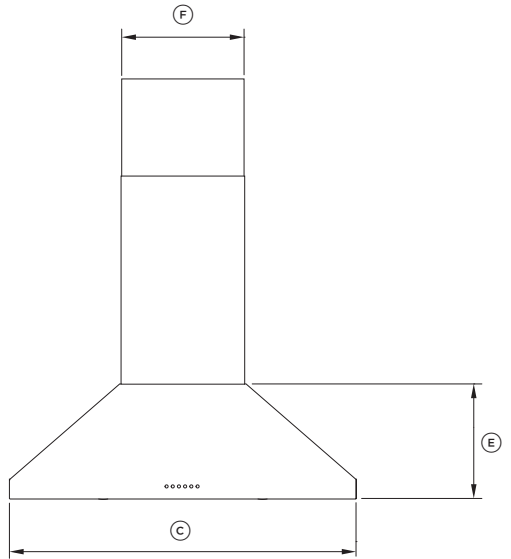
PRODUCT DIMENSIONS - 30" MODELS



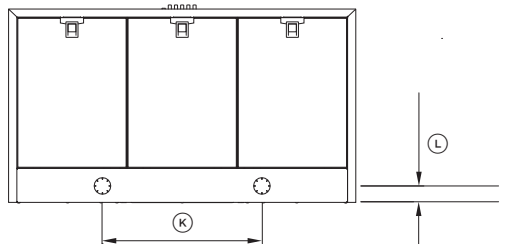
PLAN



PROFILE



FRONT



BOTTOM

PRODUCT DIMENSIONS - 30" MODELS

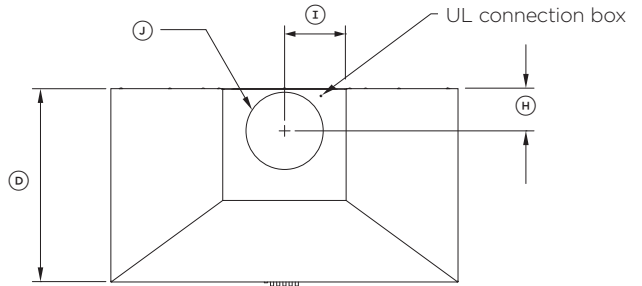
EN

PRODUCT DIMENSIONS	HC30	
	IN	MM
Ⓐ Maximum overall height of product	38 3/8	975
Ⓑ Minimum overall height of product	25 1/16	636
Ⓒ Overall width of product	29 3/4	755
Ⓓ Overall depth of product	19 11/16	500
Ⓔ Height of product	11 3/4	298
Ⓕ Width of chimney	12 5/8	320
Ⓖ Depth of chimney	11 7/16	290
Ⓗ Distance from center of ducting outlet to back of product	4 5/16	110
Ⓘ Distance from center of ducting outlet to side of chimney	6 5/16	160
Ⓙ Diameter of ducting outlet	7 7/8	200
Ⓚ Distance between center of lights	16 1/4	413
Ⓛ Distance between center of lights and back of product	1 5/8	42

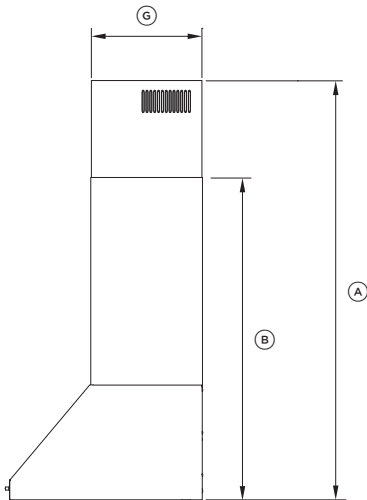
Actual product dimensions may vary by $\pm 1/16'$ (2mm).

*Maximum overall height of product with chimney extension= 57" 1450mm.

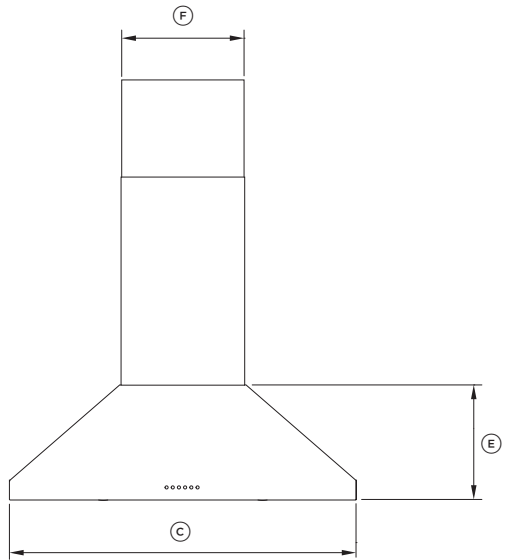
PRODUCT DIMENSIONS - 36" MODELS



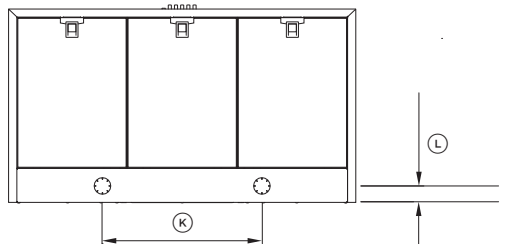
PLAN



PROFILE



FRONT



BOTTOM

PRODUCT DIMENSIONS - 36" MODELS

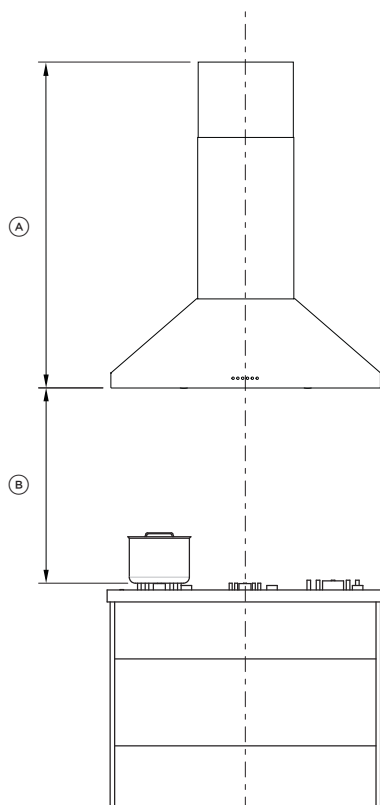
EN

PRODUCT DIMENSIONS	HC36	
	IN	MM
Ⓐ Maximum overall height of product	38 3/8	975
Ⓑ Minimum overall height of product	25 1/16	636
Ⓒ Overall width of product	35 3/8	898
Ⓓ Overall depth of product	19 11/16	500
Ⓔ Height of product	11 3/4	298
Ⓕ Width of chimney	12 5/8	320
Ⓖ Depth of chimney	11 7/16	290
Ⓗ Distance from center of ducting outlet to back of product	4 5/16	110
Ⓘ Distance from center of ducting outlet to side of chimney	6 5/16	160
Ⓙ Diameter of ducting outlet	7 7/8	200
Ⓚ Distance between center of lights	16 1/4	413
Ⓛ Distance between center of lights and back of product	1 5/8	42

Actual product dimensions may vary by $\pm 1/16'$ (2mm).

*Maximum overall height of product with chimney extension= 57" 1450mm.

INSTALLATION HEIGHT

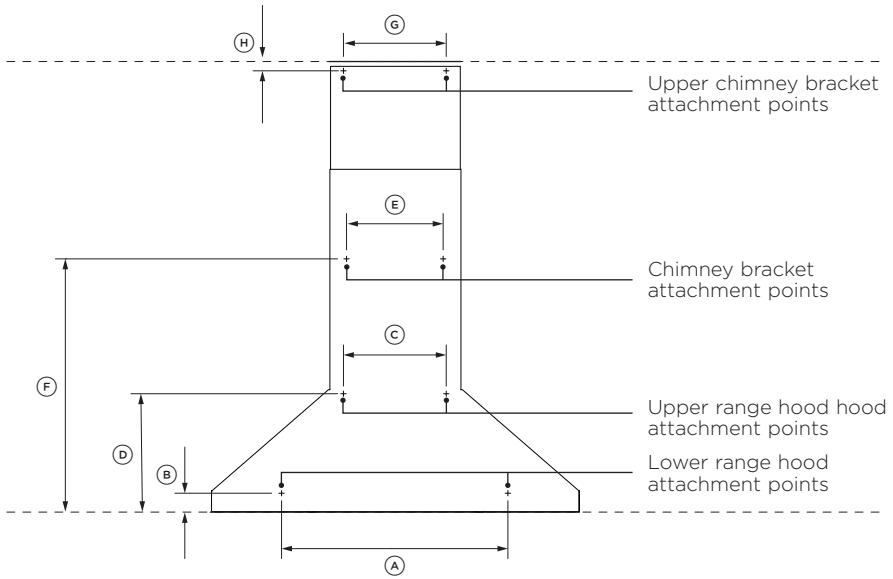


HEIGHT DIMENSIONS	IN	MM
(A) Ducted installation <ul style="list-style-type: none"> • Minimum height • Maximum height 	25 1/16 38 3/8	636 975
Recirculation <ul style="list-style-type: none"> • Minimum height • Maximum height 	26 5/8 38 3/8	676 975
(B) Height top of cooktop to base of product	26 - 30	660 - 762

*Maximum height can be extended with the optional chimney extension

This range hood must be installed no lower than the minimum height indicated in the table above. Minimum installation height may be greater if required by the cooktop, refer to your cooktop installation instructions.

Installation at the minimum height will improve the efficiency of capturing cooking odours, grease and smoke. Installation above the minimum height is the users preference, it is not recommended to install above the maximum height indicated in the table above.



ATTACHMENT DIMENSIONS	IN	MM
Ⓐ Lower range hood attachment point width	20	508
Ⓑ Lower range hood attachment point height	1 3/4	45
Ⓒ Upper range hood attachment point width	9 7/8	250
Ⓓ Upper range hood attachment point height	11 1/4	286
Ⓔ Chimney bracket attachment point width	9 7/8	250
Ⓕ Chimney bracket attachment point height	31 1/4	794
Ⓖ Upper chimney bracket attachment point width	9 7/8	250
Ⓗ Upper chimney bracket attachment point height	1	25

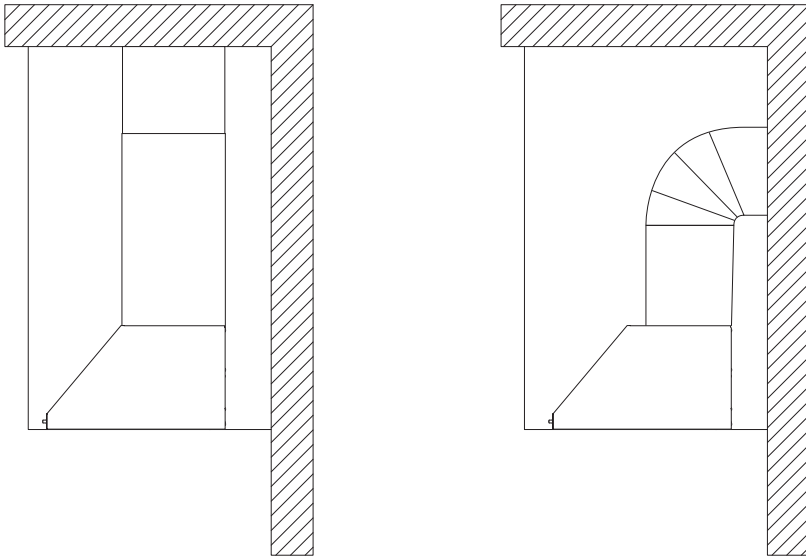
VENTING OPTIONS

Attention should be given to ensure that any applicable regulations concerning the discharge of exhaust air are fulfilled.

Ducted

It is recommended that 8" (203mm) diameter, rigid or semi-rigid ducting is used. This will require a 8 1/4" (210mm) (min) round hole in the ceiling or wall. Care should be taken to position the hole correctly.

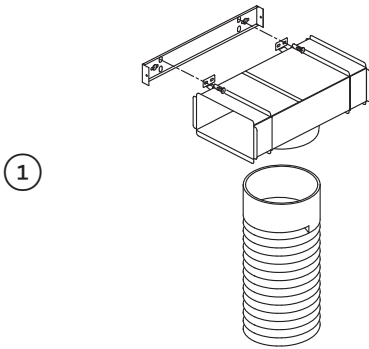
For optimal efficiency use the shortest and straightest duct route possible and use rigid or semi-rigid ducting for reduced noise and increased airflow. Flexible metal ducting should only be used as a last resort (ie in difficult installations) and if used ensure that it is straight, smooth and extended as much as possible.



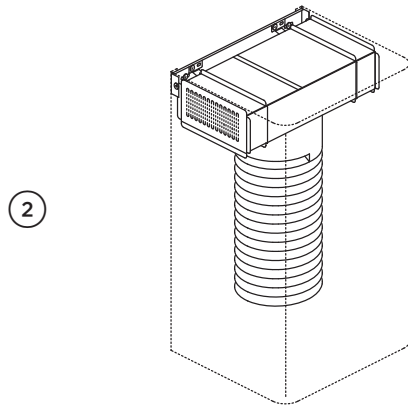
Recirculating

To enable the product to operate with the air recirculating, purchase a recirculation diverter and carbon filters (refer to the "Parts and accessories" section). This recirculation diverter is required to channel the air out the side vents at the top of the chimney and the carbon filters are required to remove odors.

A ducting hole is not required in the wall or ceiling if the ventilation hood is installed to operate with exhaust air recirculating.



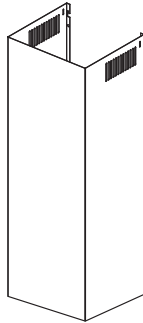
Centre and secure the chimney brackets using two 30mm self tapping screws per bracket.



Align recirculation adapter to the upper bracket. Fit using 30mm Phillips screws.

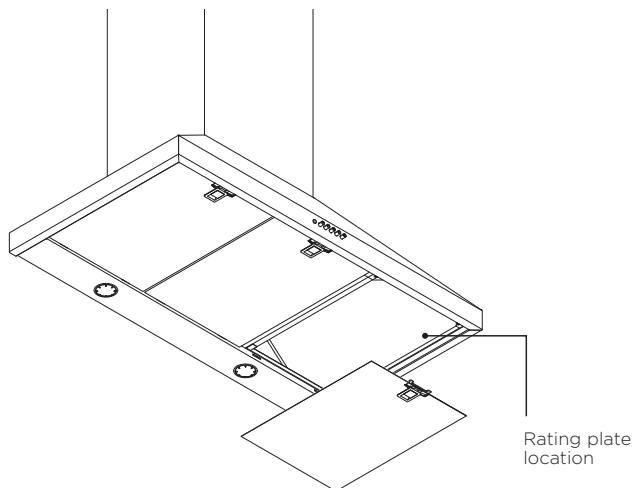
For installation of the remaining chimney duct and hood refer to “Attach brackets and mounting screws” and “Attach chimney” sections for instructions.

CHIMNEY EXTENSION



The 33 1/2" (850mm) chimney extension is an optional extra used when extra height is required in high ceiling situations. Suits models HC24PCX, HC30PCB1, HC30PCR1, HC30PCX1, HC30PCW1, HC36PCB1, HC36PCR1, HC36PCX1, HC36PCW1. Coverduct extensions are available depending on the color of rangehood (refer to the "Parts and accessories" section).

The extension replaces the existing upper cover that is supplied with the rangehood. Coverduct extension is to be installed following the same steps as the upper cover extension (refer to "Attach brackets and mounting screws" and "Attach chimney" sections for installation instructions)

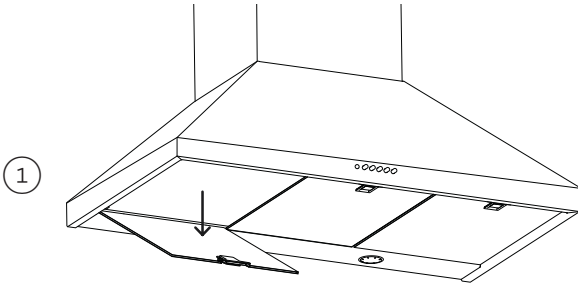


Before connecting the range hood to the power supply, ensure the voltage and frequency indicated on the rating plate match that of the installation location.

MODEL	FREQUENCY	VOLTAGE
HC24, HC30, HC36	60 Hz	120 V

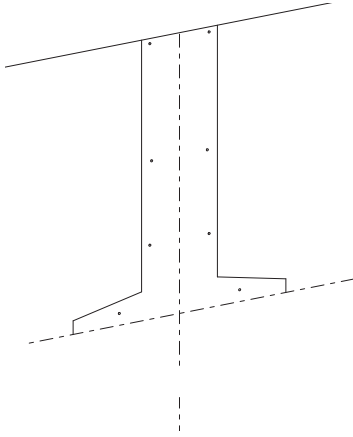
PREPARE RANGE HOOD

Warning: Failure to install the screws or fixing device in accordance with these instructions may result in an electrical hazards.



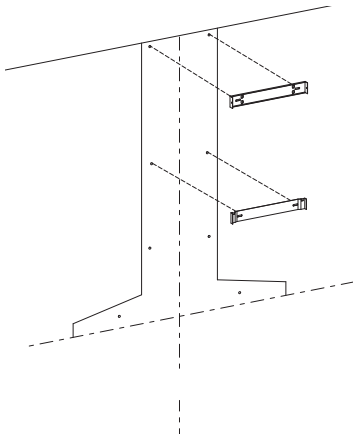
Remove the filters -pull the catch and tilt the filter downwards until it disengages from the supports.

1



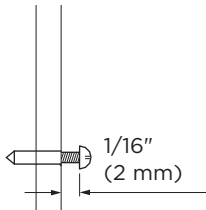
Temporarily mark the height of the bottom of the range hood and the centre of the cooktop on the wall according to the information provided in "Installation height".

2



Attach the chimney bracket and upper chimney bracket (if using the upper chimney). Use the 1 3/16" (30mm) screws and expansion plugs if attaching to masonry.

3

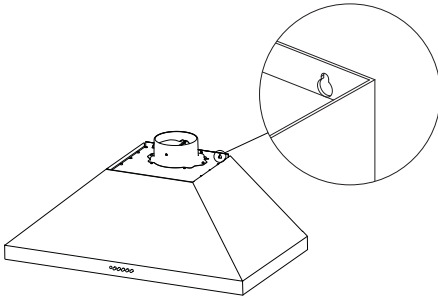


Attach the upper hood mounting screws. Use the 1 3/16" (30mm) screws and expansion plugs if attaching to masonry.

Ensure that there is a 1/16" (2mm) gap between the screw head and the wall.

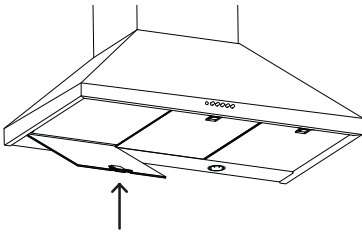
HANG RANGE HOOD

1



Hang the range hood off the upper range hood mounting screws with 1/16" (2mm) gap. Hang off the keyhole attachment points on the back of the range hood then tighten the screws.

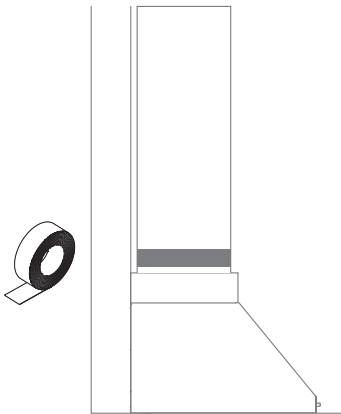
2



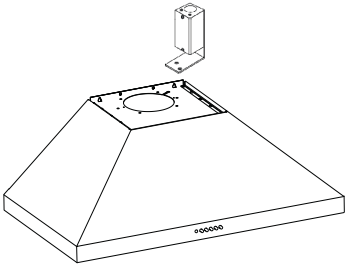
Attach the lower range hood mounting screws to fix the range hood to the wall.

Refit the filters.

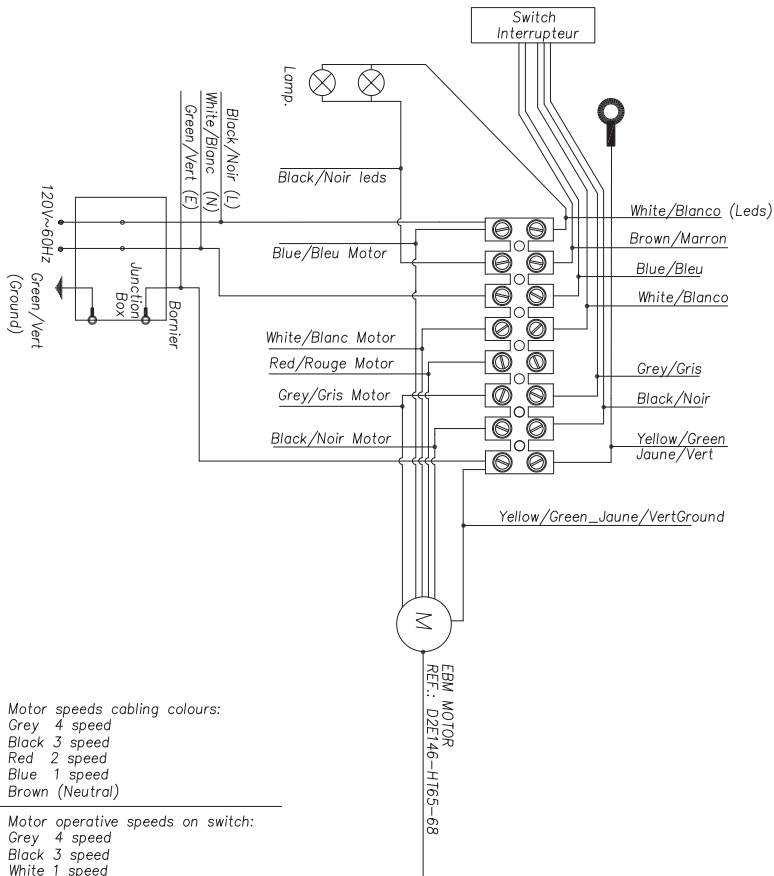
3



Attach ducting to the ducting adapter using aluminium duct tape.

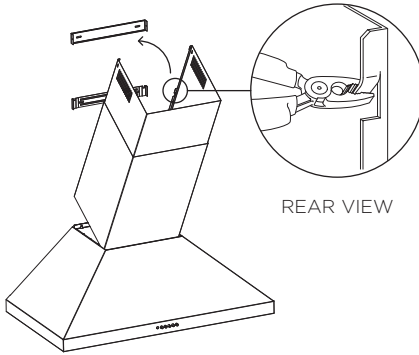


- ① Run three wires from the power connection box on the rangehood to the power point.
- ② Two wires for the power supply and one for the ground wire.
Open the power connection box on the range hood and secure the power conductor with a strain relief (not included).
- ③ Connect the power conductors to the conductors for the range hood, black to black and white to white.
- ④ Connect the grounding wire (green or bare) to the ground conductor (green) of the range hood power connection box.
Secure all the connections with wire nuts.
Replace the power connection box cover.



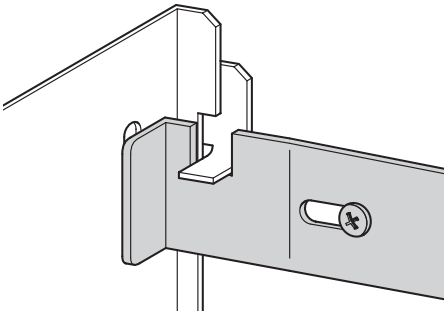
ATTACH CHIMNEY

1



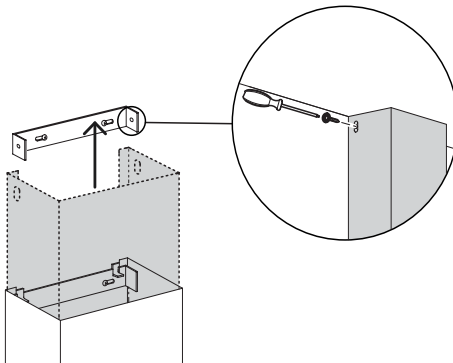
Bend the tabs on the chimney.

2



Place chimney around the range hood chassis and hang off the chimney bracket.

3



Extend the upper chimney and attach to the upper chimney bracket with 10mm screws.

TO BE COMPLETED BY THE INSTALLER

- Range hood is correctly installed and all connections are secure.
- Connections have not pierced any electrical or water lines within the wall.
- Ducting has not been crushed or bent in any area's.
- Flexible ducting has been pulled taut and any excess removed (if required).
- Power mains switch is accessible to the customer and switched on.
- Operation of the product has been tested, refer to user guide.

Complete and keep for safe reference:

Model _____

Serial no. _____

Purchase date _____

Purchaser _____

Dealer address _____

Installer's name _____

Installer's signature _____

Installation company _____

Installation date _____

FISHERPAYKEL.COM

© Fisher & Paykel Appliances 2024. All rights reserved.

The models shown in this guide may not be available in all markets
and are subject to change at any time.

The product specifications in this guide apply to the specific products and
models described at the date of issue. Under our policy of continuous product
improvement, these specifications may change at any time.

For current details about model and specification availability in your country,
please go to our website or contact your local Fisher & Paykel dealer.

105937G 10.24

FISHER & PAYKEL

**HOTTE CHEMINÉE MURALE DE FORME
PYRAMIDALE**

CLASSIQUE

HC24PCX1, HC30PCX1, HC30PCB1, HC30PCR1, HC30PCW1, HC36PCX1,
HC36PCB1, HC36PCR1 & HC36PCW1

GUIDE D'INSTALLATION

US CA

Consignes de sécurité et mises en garde	4
Pièces fournies	6
Avant l'installation	7
Dimensions du produit – Modèles 24 po	8
Dimensions du produit – Modèles 30 po	10
Dimensions du produit – Modèles 36 po	12
Hauteur d'installation	14
Dimensions de fixation	15
Options pour l'évacuation	16
Installation de recirculation	17
Extension de cheminée	18
Exigences électriques	19
Préparez la hotte	20
Fixez les supports et les vis de montage	21
Suspendez la hotte	22
Raccordement électrique	23
Fixez la cheminée	24
Liste de vérification finale	25

Enregistrement

Pour enregistrer votre produit, visitez notre site Web : fisherpaykel.com/register

⚠ MISE EN GARDE!



Risque de choc électrique

Le non-respect de cette consigne peut entraîner un choc électrique ou la mort.

- L'installation et le câblage électrique doivent être réalisés par une ou plusieurs personne(s) qualifiée(s), en conformité avec tous les codes et toutes les normes applicables, notamment en ce qui concerne les constructions ignifuges.
- Pour réduire les risques d'incendie ou de choc électrique, n'utilisez pas ce ventilateur avec un dispositif de contrôle de vitesse à semi-conducteurs.

⚠ MISE EN GARDE!



Risque de poids excessif

Le non-respect de cette consigne peut entraîner des blessures

- L'appareil est lourd. Lors de l'installation de l'appareil, veuillez vous assurer de porter une attention appropriée afin d'éviter toute blessure. L'appareil doit être installé sur un mur, un montant, une poutre ou une ferme de charpente solide.
- **Poids du produit** : HC24 42 lb (19kg), HC30 35 lb (21,5 kg), HC36 37 lb (23,8 kg).

LISEZ ET CONSERVEZ CES INSTRUCTIONS

MISE EN GARDE!

Lors de l'utilisation de cet appareil, observez toujours les consignes de sécurité de base, notamment :

Généralités

- Veuillez lire toutes ces consignes avant d'installer ou utiliser cet appareil.
- Veuillez remettre ces informations à la personne qui installera l'appareil.
- Interrompez toujours l'alimentation avant de procéder à l'installation, à l'entretien ou au nettoyage de l'appareil.
- La pièce doit disposer d'une ventilation adéquate lorsque la hotte est utilisée en même temps que des appareils fonctionnant au gaz ou à d'autres combustibles.
- L'acier inoxydable ou le revêtement en poudre peut être très facilement endommagé pendant l'installation en cas de frottement ou contact avec un outil. Il est recommandé de protéger le dessus de l'appareil avec du carton ou du polystyrène pendant l'installation pour minimiser le risque de dommage.
- Pour réduire le risque de dommage à la surface de cuisson, il est recommandé d'en protéger la surface avec du carton ou un objet semblable pendant l'installation de la hotte.
- Veuillez porter une attention particulière à assurer la conformité à toutes les réglementations relatives à l'évacuation de l'air.
- Avant de raccorder toute conduite, consultez les règlements municipaux pour vous assurer de respecter toutes les réglementations en vigueur relatives à l'évacuation de l'air et demandez l'autorisation de la personne responsable du bâtiment.

- L'air ne doit pas être évacué dans un carneau existant utilisé pour l'évacuation de vapeurs produites par des appareils fonctionnant au gaz ou à d'autres combustibles. **MISE EN GARDE! POUR RÉDUIRE LES RISQUES D'INCENDIE, DE CHOC ÉLECTRIQUE OU DE BLESSURES, RESPECTEZ CES CONSIGNES :**
- L'installation et le câblage électrique doivent être réalisés par une ou plusieurs personne(s) qualifiée(s), en conformité avec tous les codes et toutes les normes applicables, notamment en ce qui concerne les constructions ignifuges.
- Pour éviter le refoulement d'air, une quantité d'air suffisante est nécessaire pour assurer une bonne combustion et l'évacuation des gaz à travers le carneau (cheminée) de l'appareil. Suivez les consignes du fabricant de l'appareil de cuisson ainsi que les normes de sécurité comme celles publiées par la National Fire Protection Association (NFPA) et la American Society for Heating, Refrigeration and Air Conditioning Engineers (ASHRAE), ainsi que les normes locales.
- Au moment de couper ou percer le mur ou le plafond, veillez à ne pas endommager le câblage électrique ou les conduites qui y sont dissimulés.
- Les ventilateurs avec conduits doivent toujours évacuer l'air vers l'extérieur.
- Cet appareil doit être mis à la terre.
- Portez des gants pour vous protéger des rebords tranchants.

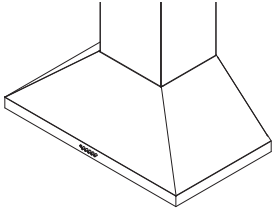
Raccordement électrique

- Cet appareil doit être installé et raccordé à l'alimentation électrique uniquement par une personne qualifiée, conformément à ces instructions d'installation et en respectant tous les règlements de construction et codes d'électricité locaux en vigueur. Le fait de ne pas installer l'appareil de façon adéquate pourrait entraîner l'annulation de toute garantie ou réclamation.
- Pour respecter les règlements de sécurité électrique, l'appareil doit être branché dans une prise située à proximité. La prise doit être accessible ou munie d'un interrupteur de sectionnement accessible, afin de permettre à l'utilisateur de déconnecter l'appareil de la source d'alimentation pour procéder à l'entretien ou au nettoyage interne.
- Une prise électrique doit se trouver à moins de 750 mm de l'assemblage du moteur, que ce soit au mur, derrière la cheminée ou au plafond.
- Si le cordon d'alimentation de cet équipement est endommagé, vous devez le faire remplacer uniquement par le fabricant, un agent de service ou une personne possédant des compétences similaires afin d'éviter tout danger.
- Les accessoires de conduit ne sont pas fournis. Tous les conduits doivent être conformes aux exigences et codes du bâtiment locaux.
- Le câblage électrique doit être réalisé par une ou plusieurs personne(s) qualifiée(s), en conformité avec tous les codes et toutes les normes applicables, en veillant à ce que l'appareil soit mis à la terre.
- L'installation et le câblage électrique doivent être réalisés par une ou plusieurs personne(s) qualifiée(s), en conformité avec tous les codes et toutes les normes applicables, notamment en ce qui concerne les constructions ignifuges.

Incendie

- **MISE EN GARDE:** L'adaptateur de conduit métallique de 8 po fourni avec cette hotte doit être utilisé pour raccorder tout conduit à cette hotte. Le conduit ne doit pas être installé sur la sortie en plastique du ventilateur.
- **ATTENTION:** Pour réduire les risques d'incendie, utilisez uniquement des conduits en métal. N'utilisez pas de conduits en plastique flexible.
- Pour réduire les risques d'incendie et évacuer l'air adéquatement, assurez-vous d'évacuer l'air vers l'extérieur - n'évacuez pas l'air dans les murs, plafonds, greniers, vides sanitaires ou garages.
- Pour réduire les risques d'incendie et de choc électrique, installez cette hotte uniquement avec les ventilateurs intégrés fournis avec la hotte.

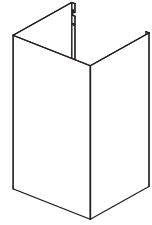
PIÈCES FOURNIES



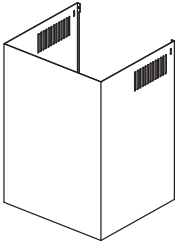
Hotte (1)



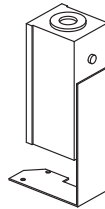
Guide d'installation (1)



Cheminée (1)



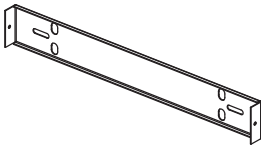
Cheminée supérieure (1)



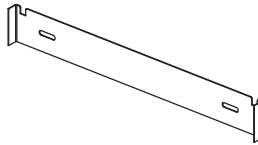
Boîtier de raccordement d'alimentation (1)



Vis autotaraudeuse de 3/8 po (10 mm) (4)



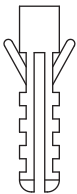
Support de cheminée supérieure (1)



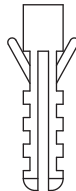
Support de cheminée (1)



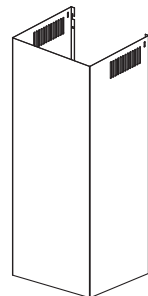
Vis autotaraudeuse de 1 3/16 po (30 mm) (10)



Cheville expansible de 1 3/16 po (30 mm) (10)



Cheville expansible pour cloison sèche de 1 3/4 po (44 mm) (8)



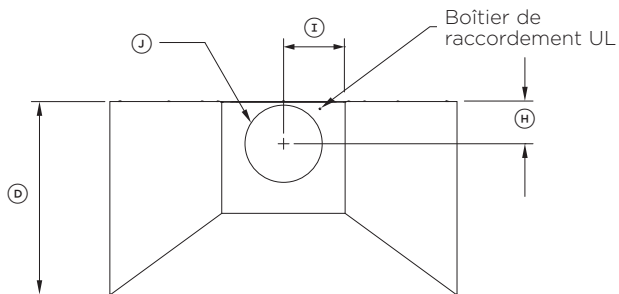
Extension du conduit de couverture

Accessoire optionnel - non inclus avec l'appareil et doit être acheté séparément

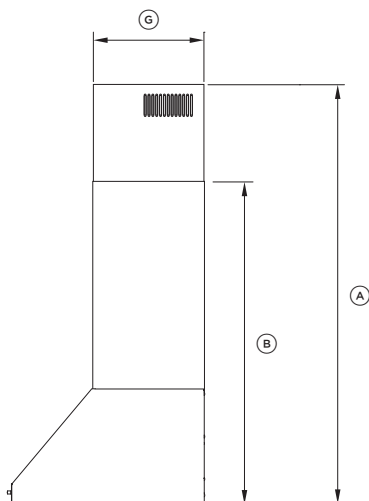
Le fabricant n'est pas responsable des dommages résultant du non-respect de ces instructions.

- Déballez la hotte.
- Assurez-vous que la tension (V) et la fréquence (Hz) indiquées sur la plaque signalétique correspondent à la tension et la fréquence sur le site d'installation.
- Vérifiez que la section à l'arrière de la surface d'installation devant être percée ne contient aucun câble électrique, tuyau, etc.
- Les surfaces de la hotte peuvent être endommagées pendant l'installation en cas de frottement ou contact avec un outil. Veuillez vous assurer de protéger les surfaces pendant l'installation.
- Protégez la surface de cuisson avec du carton ou un matériau semblable pour éviter de l'endommager pendant l'installation de la hotte.
- Le mur servant à installer la hotte doit être suffisamment solide et comporter une surface plane.

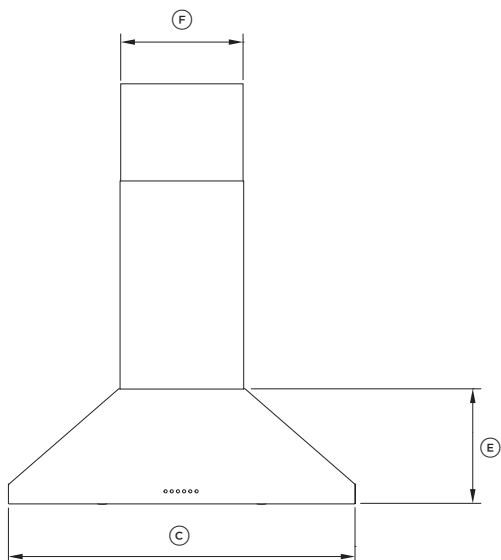
DIMENSIONS DU PRODUIT - MODÈLES 24 PO



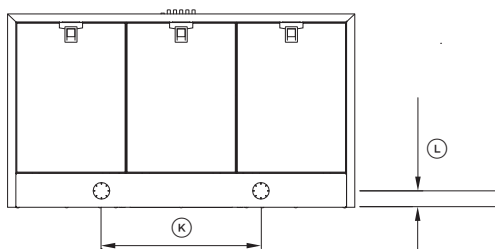
EN PLAN



PROFIL



AVANT



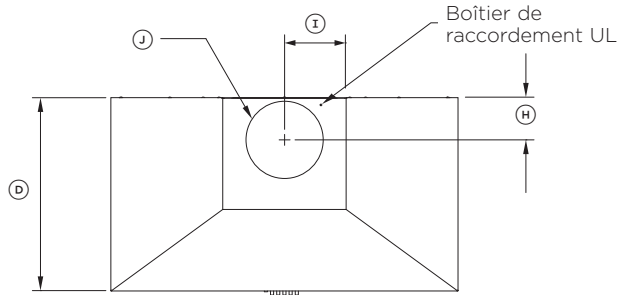
DESSOUS

DIMENSIONS DU PRODUIT	HC24	
	PO	MM
Ⓐ Hauteur hors tout maximale du produit	38 3/8	975
Ⓑ Hauteur hors tout minimale du produit	25 1/16	636
Ⓒ Largeur hors tout du produit	23 9/16	598
Ⓓ Profondeur hors tout du produit	19 11/16	500
Ⓔ Hauteur du produit	11 3/4	298
Ⓕ Largeur de la cheminée	12 5/8	320
Ⓖ Profondeur de la cheminée	11 7/16	290
Ⓗ Distance entre le centre de la sortie de conduit et l'arrière du produit	4 5/16	110
Ⓘ Distance entre le centre de la sortie de conduit et le côté de la cheminée	6 5/16	160
Ⓙ Diamètre de la sortie de conduit	7 7/8	200
Ⓚ Distance entre le centre des lampes	16 1/4	413
Ⓛ Distance entre le centre des lampes et l'arrière du produit	1 5/8	42

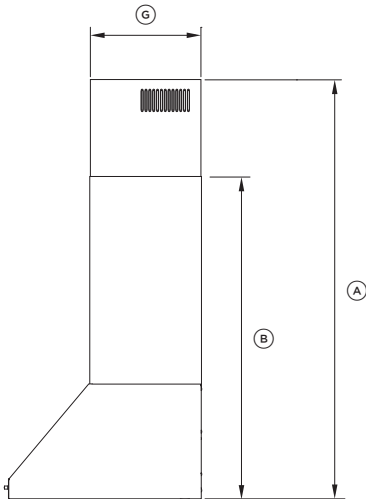
Les dimensions réelles du produit peuvent varier de $\pm 1/16'$ (2 mm)

*Hauteur maximale du produit avec extension de la cheminée= 57" 1450mm

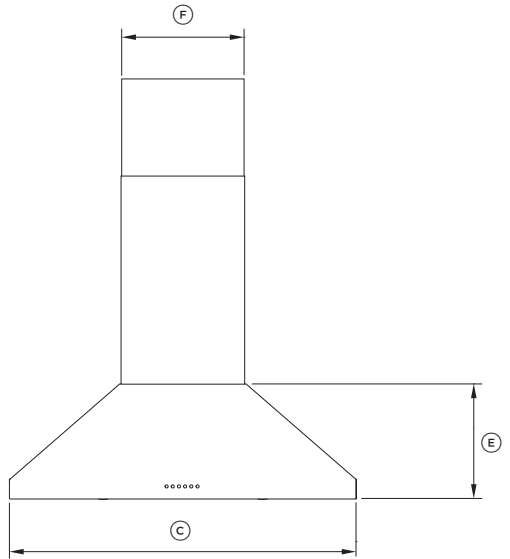
DIMENSIONS DU PRODUIT - MODÈLES 30 PO



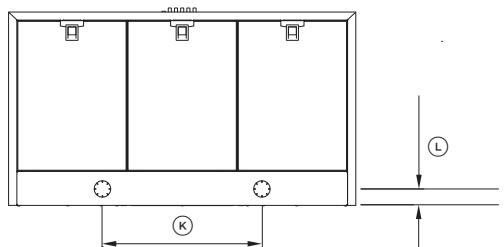
EN PLAN



PROFIL



AVANT



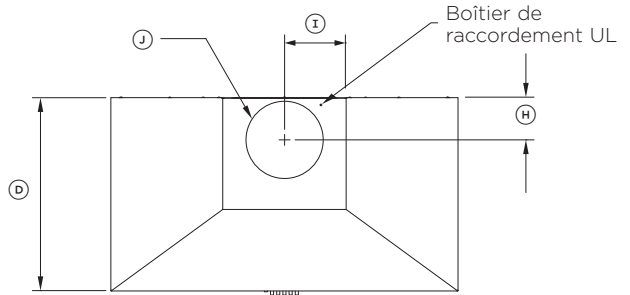
DESSOUS

DIMENSIONS DU PRODUIT	HC30	
	PO	MM
Ⓐ Hauteur hors tout maximale du produit	38 3/8	975
Ⓑ Hauteur hors tout minimale du produit	25 1/16	636
Ⓒ Largeur hors tout du produit	29 3/4	755
Ⓓ Profondeur hors tout du produit	19 11/16	500
Ⓔ Hauteur du produit	11 3/4	298
Ⓕ Largeur de la cheminée	12 5/8	320
Ⓖ Profondeur de la cheminée	11 7/16	290
Ⓗ Distance entre le centre de la sortie de conduit et l'arrière du produit	4 5/16	110
Ⓘ Distance entre le centre de la sortie de conduit et le côté de la cheminée	6 5/16	160
Ⓙ Diamètre de la sortie de conduit	7 7/8	200
Ⓚ Distance entre le centre des lampes	16 1/4	413
Ⓛ Distance entre le centre des lampes et l'arrière du produit	1 5/8	42

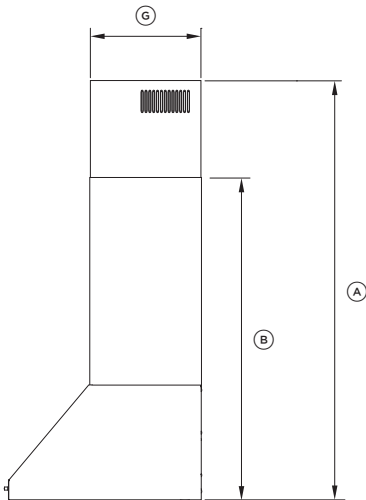
Les dimensions réelles du produit peuvent varier de $\pm 1/16'$ (2 mm)

*Hauteur maximale du produit avec extension de la cheminée= 57" 1450mm

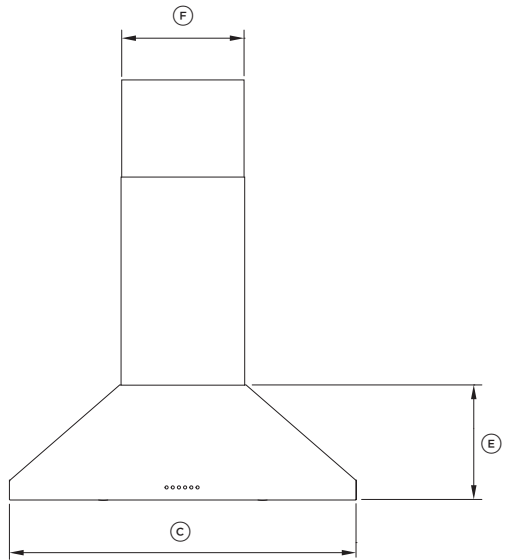
DIMENSIONS DU PRODUIT - MODÈLES 36 PO



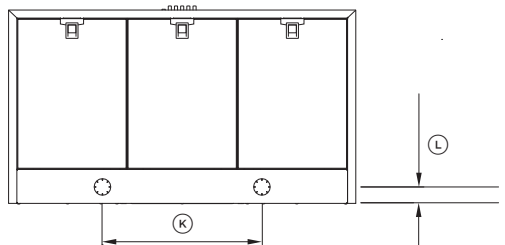
EN PLAN



PROFIL



AVANT



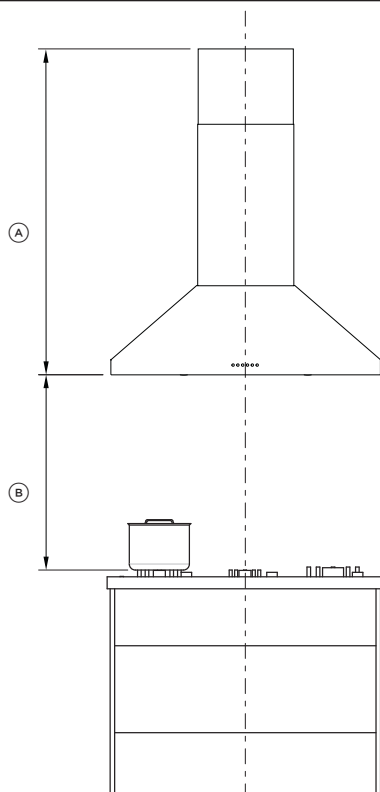
DESSOUS

DIMENSIONS DU PRODUIT	HC36	
	PO	MM
Ⓐ Hauteur hors tout maximale du produit	38 3/8	975
Ⓑ Hauteur hors tout minimale du produit	25 1/16	636
Ⓒ Largeur hors tout du produit	35 3/8	898
Ⓓ Profondeur hors tout du produit	19 11/16	500
Ⓔ Hauteur du produit	11 3/4	298
Ⓕ Largeur de la cheminée	12 5/8	320
Ⓖ Profondeur de la cheminée	11 7/16	290
Ⓗ Distance entre le centre de la sortie de conduit et l'arrière du produit	4 5/16	110
Ⓘ Distance entre le centre de la sortie de conduit et le côté de la cheminée	6 5/16	160
⓵ Diamètre de la sortie de conduit	7 7/8	200
Ⓚ Distance entre le centre des lampes	16 1/4	413
Ⓛ Distance entre le centre des lampes et l'arrière du produit	1 5/8	42

Les dimensions réelles du produit peuvent varier de $\pm 1/16'$ (2 mm).

*Hauteur maximale du produit avec extension de la cheminée= 57" 1450mm

HAUTEUR D'INSTALLATION

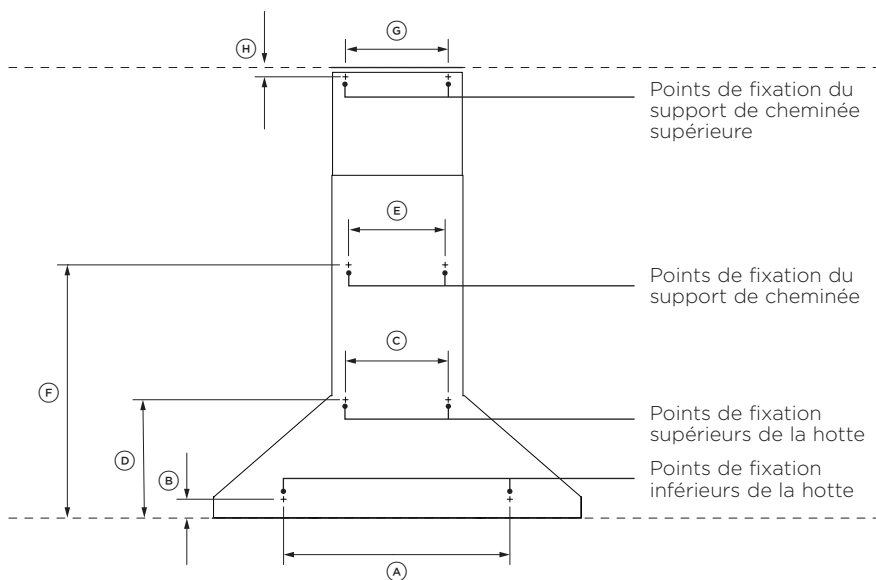


DIMENSIONS DE HAUTEUR	PO	MM
(A) Installation avec conduit <ul style="list-style-type: none"> • Hauteur minimale • Hauteur maximale 	25 1/16 38 3/8	636 975
Recirculation <ul style="list-style-type: none"> • Hauteur minimale • Hauteur maximale 	26 5/8 38 3/8	676 975
(B) Hauteur du dessus de la surface de cuisson à la base du produit	26-30	660-762

*La hauteur maximale peut être augmentée avec une extension de cheminée optionnelle.

Cette hotte ne doit pas être installée à une hauteur inférieure à la hauteur minimale indiquée dans le tableau ci-dessus. La hauteur d'installation minimale peut être supérieure, si cela est requis pour la surface de cuisson; reportez-vous aux instructions d'installation de votre surface de cuisson.

L'installation à la hauteur minimale améliore l'efficacité de l'appareil pour l'élimination des odeurs, de la graisse et de la fumée de cuisson. L'installation de la hotte au-dessus de la hauteur minimale est en fonction des préférences de l'utilisateur; il n'est pas recommandé de l'installer au-dessus de la hauteur maximale indiquée dans le tableau ci-dessus.



DIMENSIONS DE FIXATION	PO	MM
Ⓐ Largeur des points de fixation inférieurs de la hotte	20	508
Ⓑ Hauteur des points de fixation inférieurs de la hotte	1 3/4	45
Ⓒ Largeur des points de fixation supérieurs de la hotte	9 7/8	250
Ⓓ Hauteur des points de fixation supérieurs de la hotte	11 1/4	286
Ⓔ Largeur des points de fixation du support de cheminée	9 7/8	250
Ⓕ Hauteur des points de fixation du support de cheminée	31 1/4	794
Ⓖ Largeur des points de fixation du support de cheminée supérieure	9 7/8	250
Ⓗ Hauteur des points de fixation du support de cheminée supérieure	1	25

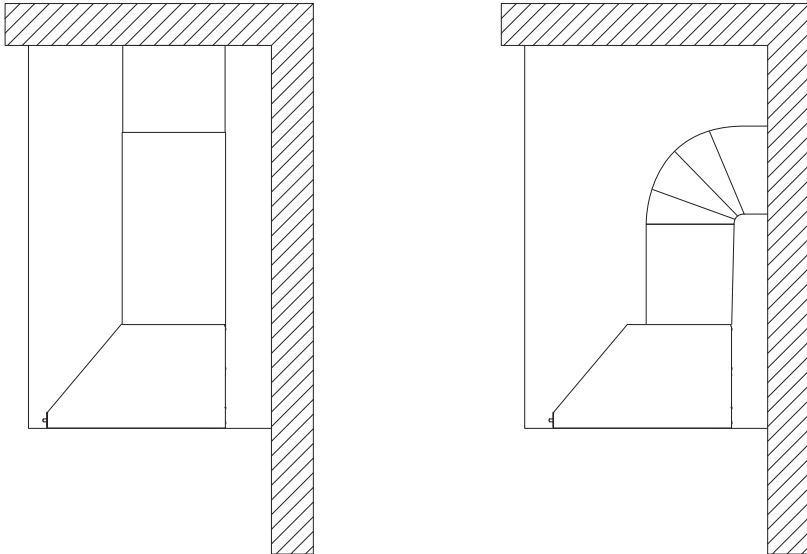
OPTIONS POUR L'ÉVACUATION

Veillez porter une attention particulière à assurer la conformité à toutes les réglementations relatives à l'évacuation de l'air.

Il est recommandé d'utiliser un conduit rigide ou semi-rigide de 8 po (203 mm) de diamètre. Un trou circulaire de 8 1/4 po (210 mm) (min.) est alors requis dans le plafond ou le mur. Veuillez vous assurer de positionner le trou correctement.

canalisé

Pour une efficacité optimale, utilisez le trajet de conduit le plus court et le plus droit possible, ainsi qu'un conduit rigide ou semi-rigide afin d'atténuer le bruit et augmenter la circulation d'air. Un conduit en métal flexible doit uniquement être utilisé en dernier recours (dans des installations difficiles); en pareil cas, veillez à ce qu'il soit aussi droit, lisse et allongé que possible.

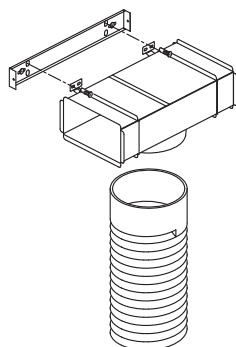


Avec recirculation

Pour que le produit puisse fonctionner en faisant recirculer l'air, veuillez acheter un déflecteur de recirculation et des filtres à charbon (reportez-vous à la section Pièces et accessoires). Ce déflecteur de recirculation est requis pour évacuer l'air par les événements latéraux dans le haut de la cheminée, et les filtres à charbon, pour éliminer les odeurs.

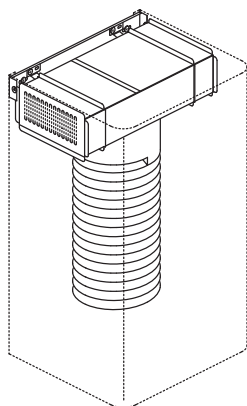
Aucune ouverture de conduit n'est requise dans le mur ou le plafond si la hotte de ventilation est installée de manière à faire recirculer l'air évacué.

1



Centrez et fixez les soutiens de cheminée à l'aide de deux vis autotaraudeuses de 30 mm par soutien.

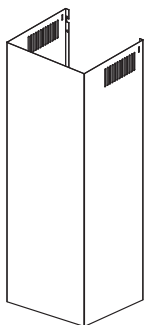
2



Aligner l'adaptateur de recirculation sur le soutien supérieur. Fixer à l'aide de vis Phillips de 30 mm.

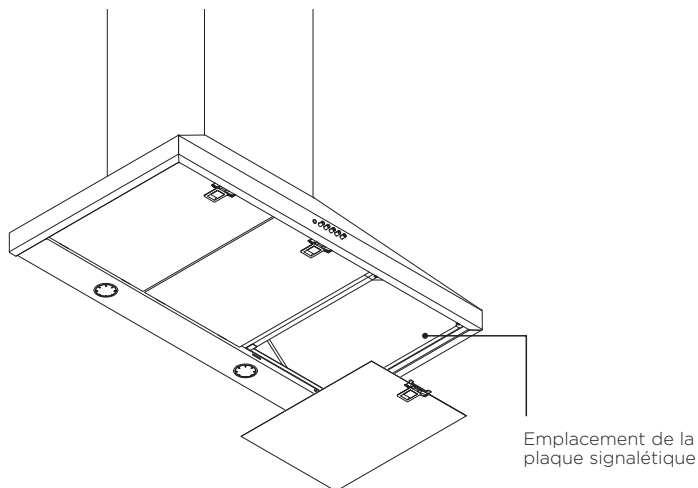
Pour l'installation du reste du conduit de cheminée et de la hotte, voir les sections « Fixez les supports et les vis de montage » et « Fixez la cheminée ».

EXTENSION DE CHEMINÉE



La rallonge de cheminée de 33 1/2 » (850mm) est une option utilisée lorsqu'une hauteur supplémentaire est nécessaire dans les situations de plafond élevé. Convient aux modèles HC24PCX, HC30PCB1, HC30PCR1, HC30PCX1, HC30PCW1, HC36PCB1, HC36PCR1, HC36PCX1, HC36PCW1. Des extensions de gaine sont disponibles en fonction de la couleur de la hotte (voir la section « Pièces et accessoires »).

L'extension remplace le couvercle supérieur fourni avec la hotte. L'extension du conduit de couverture doit être installée en suivant les mêmes étapes que l'extension du couvercle supérieur (voir les sections « Fixez les supports et les vis de montage » et « Fixez la cheminée » pour les instructions d'installation).

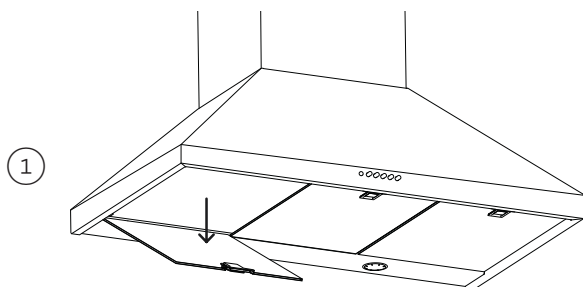


Avant de connecter la hotte à l'alimentation électrique, assurez-vous que la tension et la fréquence indiquées sur la plaque signalétique correspondent à la tension et la fréquence sur le site d'installation.

MODÈLE	FRÉQUENCE	TENSION
HC24, HC30, HC36	60 Hz	120 V

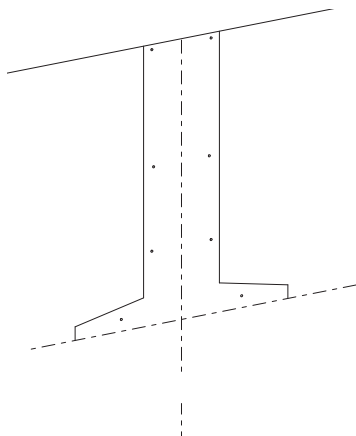
PRÉPAREZ LA HOTTE

Mise en garde : Le fait de ne pas installer les vis ou le dispositif de fixation conformément à ces instructions peut entraîner des risques de choc électrique.



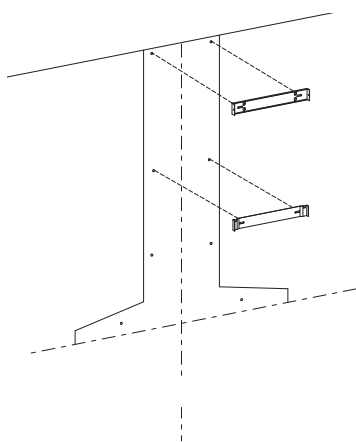
Retirez les filtres - tirez sur le loquet et inclinez le filtre vers le bas jusqu'à ce qu'il se désengage des supports.

1



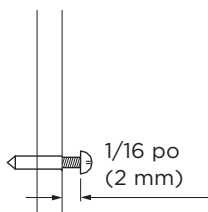
Marquez temporairement la hauteur de la partie inférieure de la hotte et le centre de la surface de cuisson sur le mur, conformément aux informations indiquées dans 'Hauteur d'installation'.

2



Fixez le support de cheminée et le support de cheminée supérieure (si vous utilisez cette dernière). Utilisez les vis de 1 3/16 po (30 mm) ainsi que les chevilles expansibles, si vous les fixez à la maçonnerie.

3

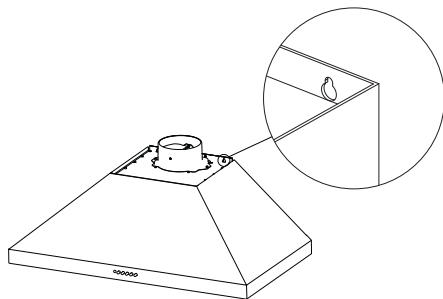


Fixez les vis de montage supérieures de la hotte. Utilisez les vis de 1 3/16 po (30 mm) ainsi que les chevilles expansibles, si vous les fixez à la maçonnerie.

Assurez-vous de laisser un espace de 1/16 po (2 mm) entre la tête de vis et le mur.

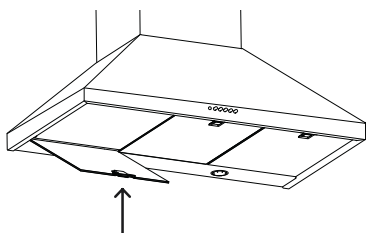
SUSPENDREZ LA HOTTE

1



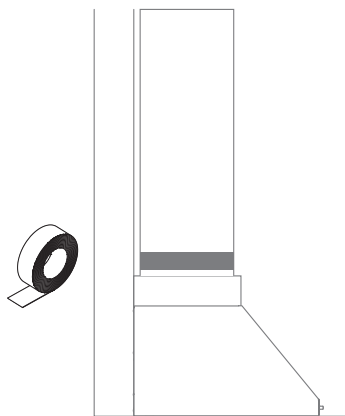
Suspendez la hotte sur les vis de montage supérieures avec un espace de 1/16 po (2 mm). Suspendez-la à l'aide des points de fixation avec encoche en trou de serrure situés à l'arrière, puis serrez les vis.

2

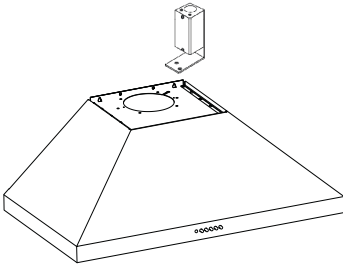


Installez les vis de montage inférieures de la hotte pour la fixer au mur. Réinstallez les filtres.

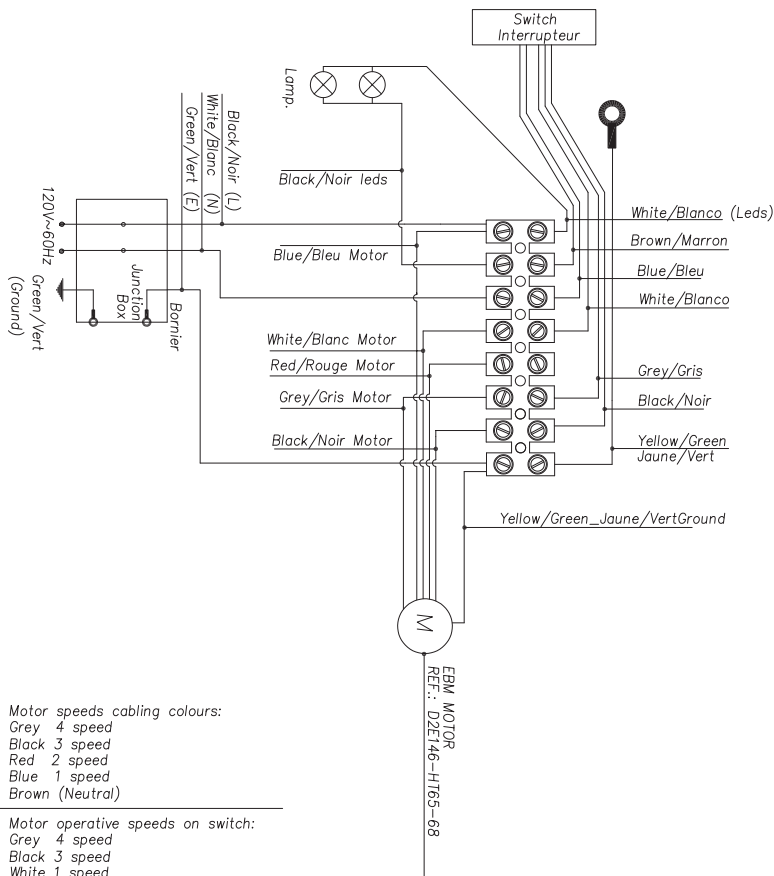
3



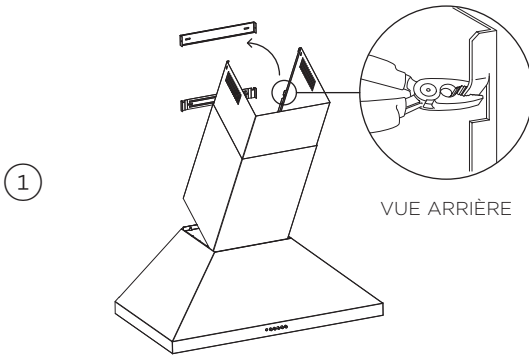
Fixez le conduit à l'adaptateur de conduit à l'aide de ruban adhésif en toile d'aluminium.



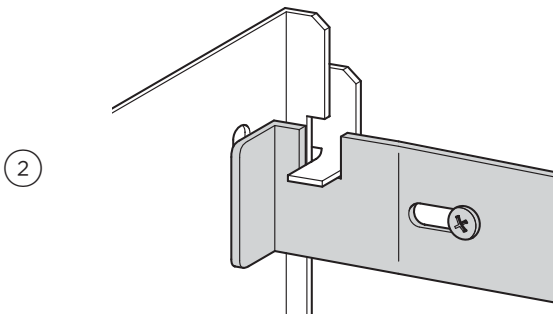
- ① Acheminez trois fils du boîtier de raccordement d'alimentation de la hotte au point d'alimentation.
- ② Deux fils pour l'alimentation électrique et un fil pour la mise à la terre.
Ouvrez le boîtier de raccordement d'alimentation de la hotte et fixez le conducteur d'alimentation à l'aide d'un serre-câble (non compris).
- ③ Connectez les conducteurs d'alimentation aux conducteurs de la hotte, le noir au noir et le blanc au blanc.
- ④ Connectez le fil de mise à la terre (vert ou dénudé) au conducteur de mise à la terre (vert) du boîtier de raccordement d'alimentation de la hotte.
Fixez tous les raccordements à l'aide de capuchons de connexion. Réinstallez le couvercle du boîtier de raccordement d'alimentation.



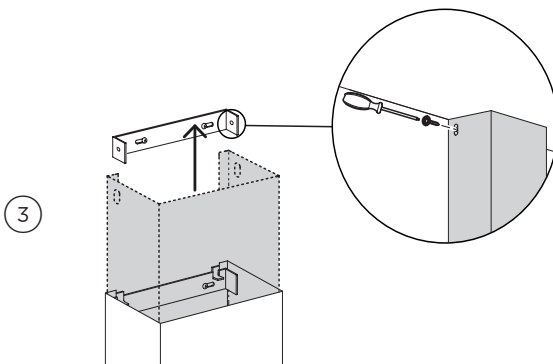
FIXEZ LA CHEMINÉE



Pliez les languettes sur la cheminée.



Placez la cheminée autour du châssis de la hotte, puis suspendez-la sur le support de cheminée.



Installez la cheminée supérieure et fixez-la au support de cheminée supérieure à l'aide des vis de 10 mm.

À ÊTRE REMPLIE PAR L'INSTALLATEUR

- La hotte est installée correctement et tous les raccordements sont bien connectés.
- Les raccordements n'ont entraîné le perçage d'aucun câblage électrique ni d'aucune conduite d'eau dans le mur.
- Le conduit n'a été écrasé ou courbé à aucun endroit.
- Le conduit flexible est bien étiré, avec toute longueur excédentaire enlevée (si nécessaire).
- L'interrupteur d'alimentation électrique est accessible au client et en position activée.
- Le fonctionnement du produit a été testé; reportez-vous au guide d'utilisation.

Remplir et conserver pour référence ultérieure :

Modèle _____

N° de série _____

Date d'achat _____

Acheteur _____

Adresse du détaillant _____

Nom de l'installateur _____

Signature de l'installateur _____

Entreprise d'installation _____

Date de l'installation _____

FISHERPAYKEL.COM

© Fisher & Paykel Appliances 2024. Tous droits réservés.

Les modèles illustrés dans ce guide peuvent ne pas être disponibles dans tous les pays et sont sujets à modifications sans préavis.

Les caractéristiques de produit présentées dans ce guide s'appliquent aux modèles et produits spécifiques qui y sont décrits à la date de publication. Dans le cadre de notre politique d'amélioration en permanence de nos produits, ces caractéristiques peuvent être modifiées à tout moment.

Pour les plus récentes informations sur la disponibilité des modèles et des caractéristiques dans votre pays, veuillez visiter notre site Web ou contacter votre détaillant Fisher & Paykel local.