

RF29DB9900

SAMSUNG

Bespoke 4-Door Flex™ Refrigerator (29 cu. ft.)
with AI Family Hub+™ and AI Vision Inside™



Signature Features

AI Family Hub+™

Family Hub+™ with the industry's largest screen* lets you share pictures, stream music and videos, access recipes, and more, all from the fridge.

*Compared to current Family Hub™ models.

AI Vision Inside™

AI Vision Inside automatically recognizes what's in your fridge, so you always know what's inside. Access a list of what's in your fridge through the SmartThings app or Family Hub+™ screen.

Beverage Center™

Enjoy quick access to refreshingly cool, filtered water in two ways. Choose from an internal dispenser or a built-in AutoFill Water Pitcher that automatically refills, with the option to infuse with a flavor.

Bespoke 4-Door Flex™ Standard Color Models



Stainless Steel



White Glass



Beverage Center™



Auto Open Door

Design

- Bespoke Design
- Beverage Center™
- Slide-In Shelf
- LED Lighting
- Gallon Door Bin

Technology

- AI Family Hub+™
- Wi-Fi Enabled
- Auto Open Door
- UV Deodorizing Filter
- Power Cool & Power Freeze
- Door Alarm
- Water Filter Indicator

Performance

- FlexZone™
- Dual Auto Ice Maker with Ice Bites™ and Cubed Ice
- Extra-Large Flexible Storage
- 2 Crisper Drawers
- Triple Cooling
- Metal Cooling

Rating



ENERGY STAR® rated:
631 kWh/yr

RF29DB9900

SAMSUNG

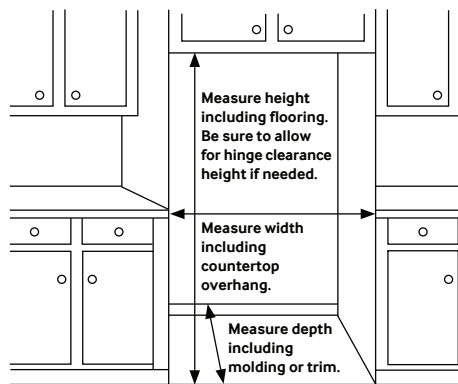
Bespoke 4-Door Flex™ Refrigerator (29 cu. ft.) with AI Family Hub+™ and AI Vision Inside™

Installation Specifications

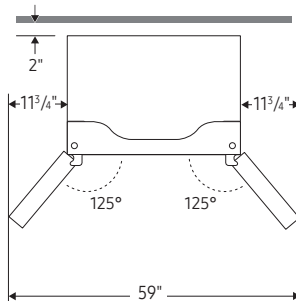
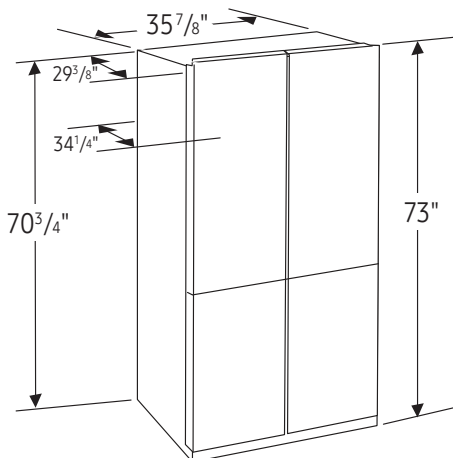
1. Measure the height, width and depth of the opening, making sure to include baseboards, molding tile, countertop overhang, etc. Check to be sure there is enough room to open the door (consider walls, islands or other obstacles when measuring).
2. Refer to illustrations below to determine dimensions.
3. Allow 2.5" of clearance on hinge side of refrigerator when installing next to a wall.
4. Allow 2" minimum clearance at rear for proper air circulation and water/electrical connections. Allow a 3/8" minimum clearance at sides and top for ease of installation.
5. Ensure each door and entryway in the home is wide enough for the refrigerator to be moved through easily.

For optimal usage and ability to open refrigerator doors completely, do not install next to a wall.

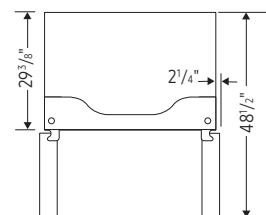
Please note: The following dimensions and cutout information is for planning purposes only. For complete installation details, consult manual packed with product or download manual online at samsung.com.



Dimensions



NOTE: Please allow 3/4" of clearance when installing along a wall.



Total Capacity: 28.6 cu. ft.

Refrigerator: 17 cu. ft.

- 1 Slide-In Shelf, 3 Tempered Glass Spill-Proof Shelves
- 2 Clear Crisper Drawers
- 6 Door Bins with 1 Gallon Door Bin
- LED Lighting

Freezer: 5.8 cu. ft.

- Dual Ice Maker in Freezer (Ice Bites™ or Cubed Ice) 2 Ice Buckets with Cover and 1 Scoop
- 4 Slide-Out Shelves
- 6 Door Bins
- LED Lighting

FlexZone™: 5.8 cu. ft.

- 5 Temperature Settings: Freeze, Soft Freeze, Meat/Fish, Fruit/Veggies, Beverage

Accessories

Water Filter: HAF-QIN

Warranty

One (1) Year Parts and Labor on Refrigerator
Five (5) Years Parts and Labor on Sealed Refrigeration System Only*
Ten (10) Years Parts and Five (5) Years Labor on Digital Inverter Compressor

*Compressor, evaporator, condenser, drier and connecting tubing.

Product Dimensions

Dimensions (WxHxD with hinges and doors):

35⁷/₈" x 73" x 34¹/₄"

Dimensions (WxHxD without hinges and doors):

35⁷/₈" x 70³/₄" x 29³/₈"

Shipping Dimensions (WxHxD)

Dimensions: 38¹/₄" x 78⁵/₈" x 36¹/₄"

Color	Model #	UPC Code	Product & Shipping Weight (lbs)	
Fingerprint Resistant Stainless Steel	RF29DB9900QD	887276826080	363.8	385.8
White Glass	RF29DB990012	887276826974	370.4	392.4