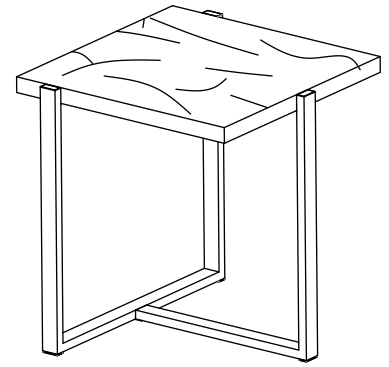
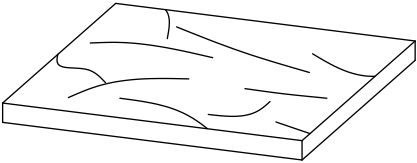
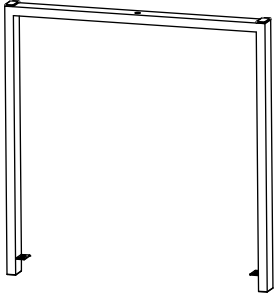
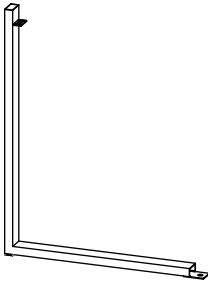
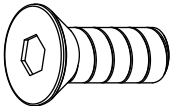

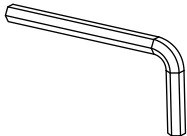


# ITEM NO.83107

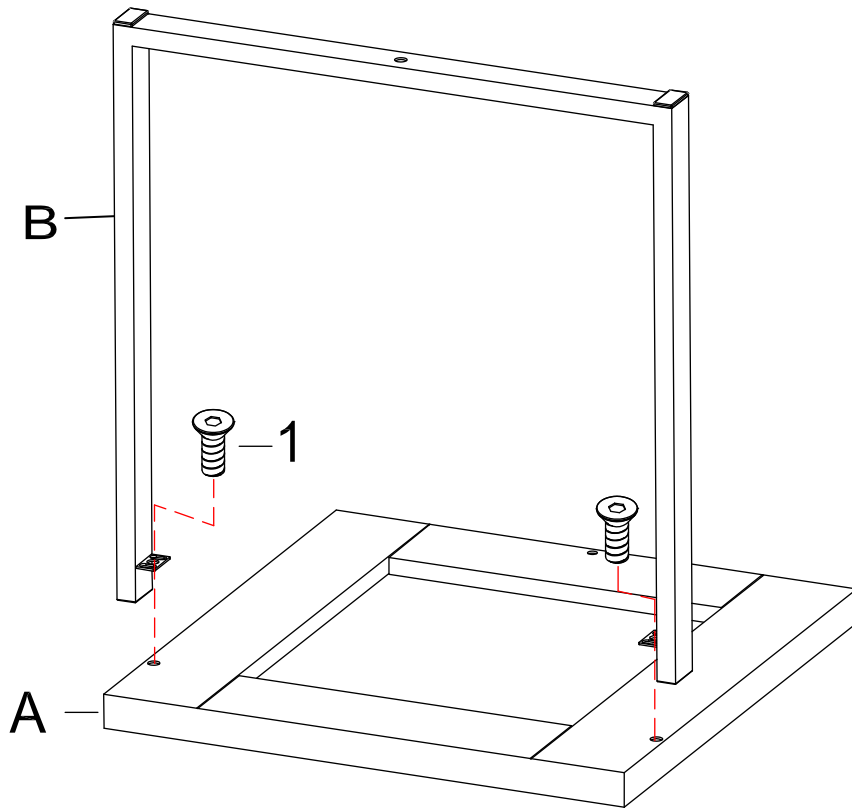


## ASSEMBLY INSTRUCTIONS

A	B	C
 <p><b>WOOD TOP</b> 1PC</p>	 <p><b>LARGE LEG</b> 1PC</p>	 <p><b>SMALL LEG</b> 1PC</p>
<p>1</p>	<p>2</p>	<p>3</p>
 <p><b>BOLT 1/4" X 1/2"</b> 4PCS</p>	 <p><b>END CAP</b> 3PCS</p>	 <p><b>ALLEN WRENCH</b> 1PC</p>

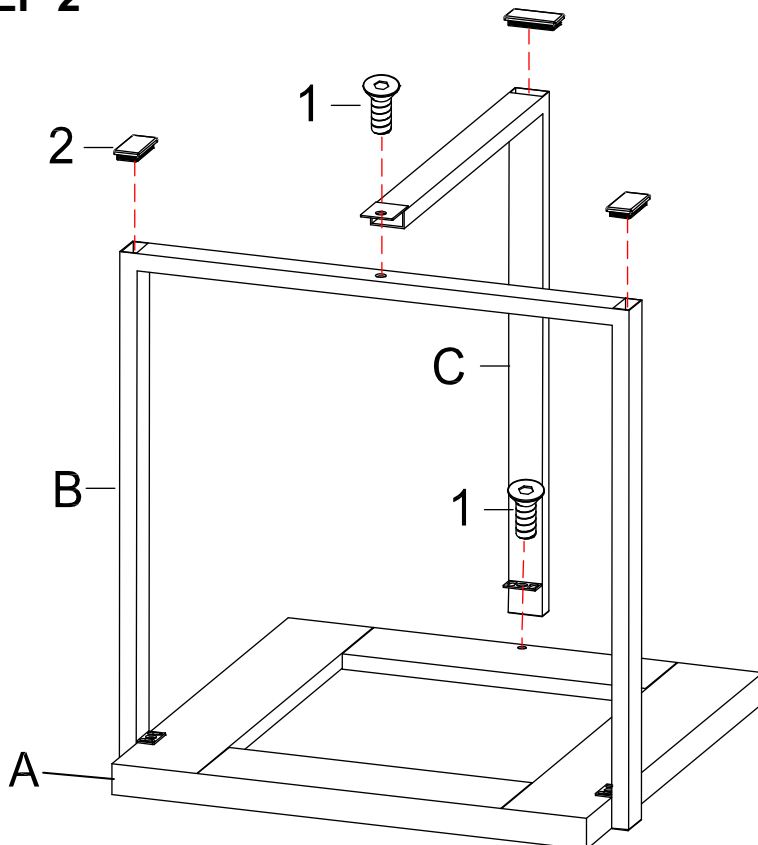
**\*\*\* Do not tighten screws & bolts until the entire unit is completely assembled. \*\*\***

## STEP 1



Attach large leg (B) to the top (A) using bolts (1) as shown.

## STEP 2



Attach small leg (C) to the wood top (A) and large leg (B) using bolts (1), then attach the end caps (2) to all the legs bottom (B.C) as shown.

Tighten all bolts and carefully turn the assembled unit upright.

Your end table is now completed.