

MICROWAVE HOOD COMBINATION INSTALLATION INSTRUCTIONS

COMBINACIÓN DE MICROONDAS Y CAMPANA INSTRUCCIONES DE INSTALACIÓN

This product is suitable for use above electric or gas cooking products up to and including 36" (91.4 cm) wide. See the "Installation Requirements" section for further notes.

These installation instructions cover different models. The appearance of your particular model may differ slightly from the illustration in these installation instructions.

Esta unidad puede usarse encima de productos para cocción eléctricos o a gas de hasta 36" (91,4 cm) de ancho. Vea la sección "Requisitos de instalación" para obtener más detalles.

Estas instrucciones de instalación abarcan modelos diferentes. La apariencia de su modelo en particular puede ser ligeramente diferente de las imágenes de estas instrucciones de instalación.

Table of Contents / Índice

MICROWAVE HOOD COMBINATION SAFETY	2	SEGURIDAD DE LA COMBINACIÓN DE MICROONDAS Y CAMPANA	15
INSTALLATION REQUIREMENTS	3	REQUISITOS DE INSTALACIÓN	16
Tools and Parts.....	3	Herramientas y piezas.....	16
Location Requirements.....	3	Requisitos de ubicación.....	16
Product Dimensions.....	4	Dimensiones del producto.....	17
Electrical Requirements.....	4	Requisitos eléctricos.....	17
INSTALLATION INSTRUCTIONS	5	INSTRUCCIONES DE INSTALACIÓN	18
Wall Venting Installation Only.....	5	Solamente para la instalación con ventilación en la pared.....	18
Install Damper Assembly (for wall venting only).....	5	Instalación del conjunto de la compuerta de tiro (para ventilación por la pared solamente).....	18
Roof Venting Installation Only.....	5	Solamente para la instalación con ventilación en el techo.....	18
Install Damper Assembly (for roof venting only).....	6	Instalación del conjunto de la compuerta de tiro (para ventilación en el techo solamente).....	19
Vent Cover Installation (for both wall and upper vent installation).....	6	Instalación de la cubierta de ventilación (para instalación de ventilación superior y ventilación por la pared).....	19
Locate Wall Stud(s).....	6	Ubique la(s) viga(s) de pared.....	19
Prepare Upper Cabinet.....	8	Preparación del gabinete superior.....	21
Mark Rear Wall.....	9	Marque la pared posterior.....	22
Drill Holes in Rear Wall.....	9	Taladre orificios en la pared posterior.....	22
Attach Mounting Plate to Wall.....	10	Fije la placa de montaje a la pared.....	23
Install the Microwave Oven.....	10	Instalación del horno de microondas.....	23
Complete Installation.....	11	Finalización de la instalación.....	24
VENTING DESIGN SPECIFICATIONS	12	ESPECIFICACIONES PARA EL DISEÑO DE LA VENTILACIÓN	25
ASSISTANCE	14	ASISTENCIA	27
Replacement Parts.....	14	Piezas de repuesto.....	27



W11417679B

MICROWAVE HOOD COMBINATION SAFETY

Your safety and the safety of others are very important.

We have provided many important safety messages in this manual and on your appliance. Always read and obey all safety messages.



This is the safety alert symbol.

This symbol alerts you to potential hazards that can kill or hurt you and others.

All safety messages will follow the safety alert symbol and either the word "DANGER" or "WARNING."

These words mean:

! DANGER

You can be killed or seriously injured if you don't immediately follow instructions.

! WARNING

You can be killed or seriously injured if you don't follow instructions.

All safety messages will tell you what the potential hazard is, tell you how to reduce the chance of injury, and tell you what can happen if the instructions are not followed.

INSTALLATION REQUIREMENTS

Tools and Parts

Tools needed

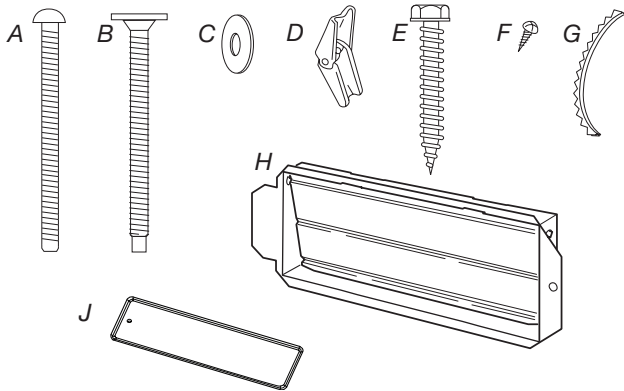
Gather the required tools and parts before starting installation. Read and follow the instructions provided with any tools listed here.

- Measuring tape
- Pencil
- Masking tape or thumbtacks
- Scissors
- No. 3 Phillips screwdriver for 1/4 - 20 x 3" (7.6 cm) bolts
- Drill
- 3/16" (5 mm), 3/8" (9.5 mm), 5/8" (1.6 cm) drill bits
- 3/4" (1.9 cm) hole saw
- Diagonal wire cutting pliers
- Stud finder
- 7/16" (1.1 cm) socket wrench (or box wrench) for 1/4" x 2" (0.6 cm x 5.1 cm) lag screws
- 1½" (3.8 cm) diam. hole drill bit for wood or metal cabinet
- Keyhole saw
- Caulking gun and weatherproof caulking compound
- Duct tape

Parts supplied

For information on reordering, see the "Replacement Parts" section.

NOTE: The hardware items listed here are for wood studs. For other types of wall structures, be sure to use appropriate fasteners.



- A. 3/16 - 24 x 3" (7.6 cm) round-head bolts (2)
- B. 1/4 - 20 x 3" (7.6 cm) flat-head bolts (2)
- C. Washers (2)
- D. 3/16" (4.8 mm) toggle nuts (2)
- E. 1/4" x 2" (0.6 cm x 5.1 cm) lag screws (2)
- F. Sheet metal screws 5/32" x 5/16" (0.4 cm x 0.8 cm) (2)
- G. Power supply cord bushing (1)
- H. Damper assembly (for wall or roof venting)
- J. Exhaust vent cover (2)

Not Shown:

- Mounting plate (Located on the upper polyfoam)
- Grease filters
- Charcoal filters

NOTE: Depending on model, grease filter and charcoal filter may be combined.

Materials Needed

Standard fittings for wall or roof venting. See the "Venting Design Specifications" section.

Location Requirements

IMPORTANT: Check the opening where the microwave oven will be installed. The location must provide:

- Minimum installation dimensions. See the "Installation Dimensions" illustration.
- Minimum one 2" x 4" (5.1 cm x 10.2 cm) wood wall stud and minimum 3/8" (9.5 mm) thickness drywall or plaster/lath within cabinet opening.
- Support for weight of 150 lbs (68 kg) which includes microwave oven and items placed inside the microwave oven and upper cabinet.
- Grounded electrical outlet inside upper cabinet. See the "Electrical Requirements" section.

NOTE: Some cabinet and building materials are not designed to withstand the heat produced by the microwave oven for cooking. Check with your builder or cabinet supplier to make sure that the materials used will not discolor, delaminate, or sustain other damages.

Special Requirements

For Wall Venting Installation Only:

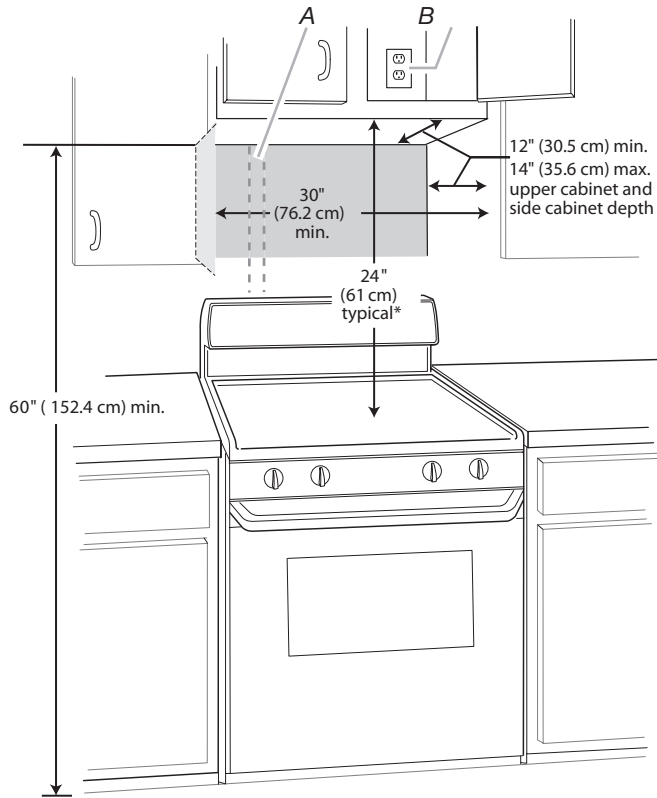
- Cutout must be free of any obstructions so that the vent fits properly and the damper blade opens freely and fully.

For Roof Venting Installation Only:

- If you are using a rectangular-to-round transition piece, the 3" (7.6 cm) clearance needs to exist above the microwave oven so that the damper blade can open freely and fully. See "Rectangular to Round Transition" illustration in the "Venting Design Specifications" section.

Installation Dimensions

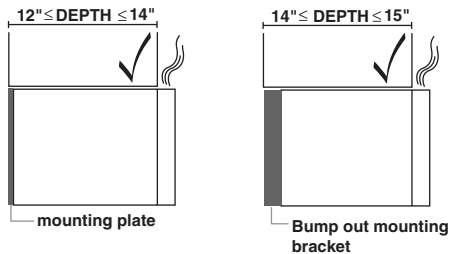
NOTE: The grounded 3 prong outlet must be inside the upper cabinet. See the “Electrical Requirements” section.



A. 2" x 4" (5.1 cm x 10.1 cm) wall stud
B. Grounded 3 prong outlet

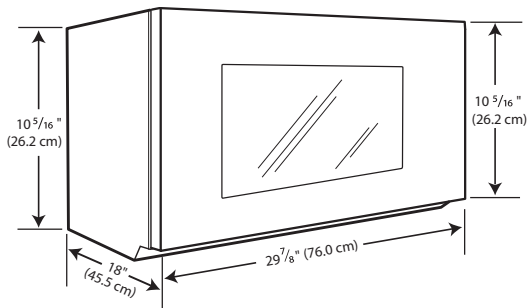
*24" (61 cm) is typical for 60" (152.4 cm) installation height exact dimensions may vary depending on type of range/cooktop below.

NOTE: To ensure good performance, do not obstruct top vent airflow. If cabinets are deeper than 14" (35.6 cm) but no more than 15" (38.1 cm), use the bump out mounting kit replacing the mounting plate from the wall. The bump out mounting kit (part # W11185746) is not provided but can be purchased from Whirlpool.



Product Dimensions

*Overall depth of product will vary slightly depending on door design.



Electrical Requirements

⚠ WARNING



Electrical Shock Hazard

Plug into a grounded 3 prong outlet.

Do not remove ground prong.

Do not use an adapter.

Do not use an extension cord.

Failure to follow these instructions can result in death, fire, or electrical shock.

Observe all governing codes and ordinances.

Required:

- A 120 V, 60 Hz, AC only, 15 A or 20 A electrical supply with a fuse or circuit breaker

Recommended:

- A time-delay fuse or time-delay circuit breaker
- A separate circuit serving only this microwave oven

GROUNDING INSTRUCTIONS

■ For all cord connected appliances:

The microwave oven must be grounded. In the event of an electrical short circuit, grounding reduces the risk of electric shock by providing an escape wire for the electric current. The microwave oven is equipped with a cord having a grounding wire with a grounding plug. The plug must be plugged into an outlet that is properly installed and grounded.

WARNING: Improper use of the grounding plug can result in a risk of electric shock. Consult a qualified electrician or serviceman if the grounding instructions are not completely understood, or if doubt exists as to whether the microwave oven is properly grounded.

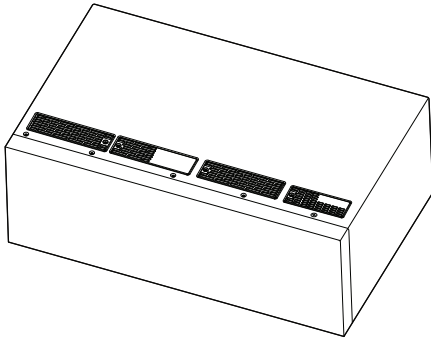
Do not use an extension cord. If the power supply cord is too short, have a qualified electrician or serviceman install an outlet near the microwave oven.

SAVE THESE INSTRUCTIONS

INSTALLATION INSTRUCTIONS

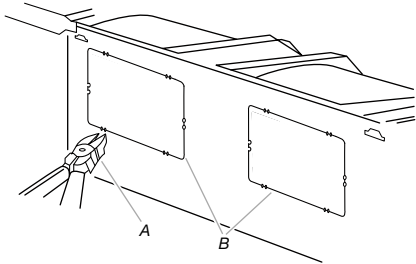
The Microwave oven is set for recirculation installation. For wall or roof venting, changes must be made to the venting system.

NOTE: Skip below sections if you are using recirculation installations. Go to section "Locate Wall Stud(s)". Keep the damper assembly in case the venting method is changed or the microwave oven is reinstalled in another location where wall or roof venting may be used.



Wall Venting Installation Only

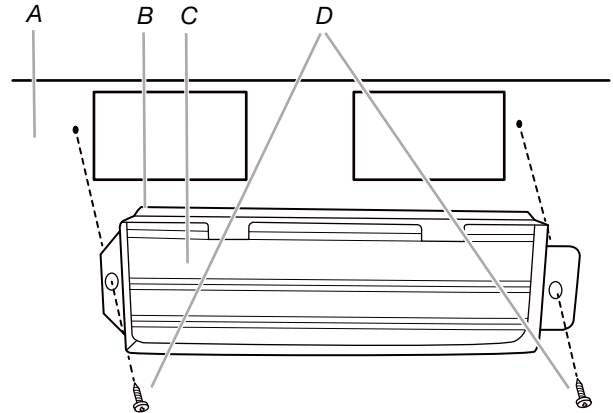
1. Using diagonal wire cutting pliers, gently snip out the rectangular vent covers on the damper plate.



A. Diagonal wire cutting pliers
B. Damper vent covers

Install Damper Assembly (for wall venting only)

1. Check that damper blade moves freely, and opens fully.
2. Position the damper assembly on the back of the microwave oven so that the damper blade hinge is at the top, and the damper blade opens away from the microwave oven.

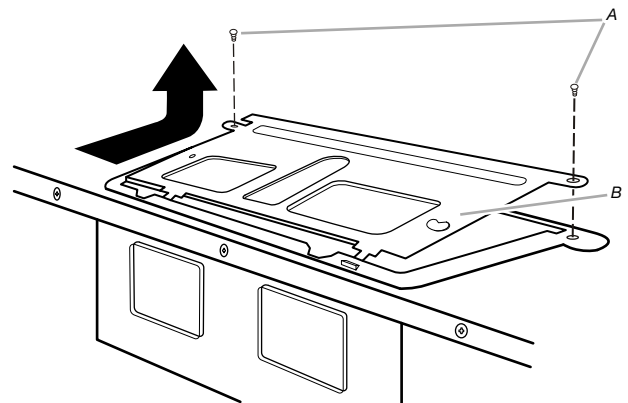


A. Back of microwave oven
B. Damper assembly
C. Damper blade
D. Sheet metal screw 5/32" x 5/16" (4 mm x 8 mm)

3. Secure damper assembly with two sheet metal screws 5/32" x 5/16" (4 mm x 8 mm).

Roof Venting Installation Only

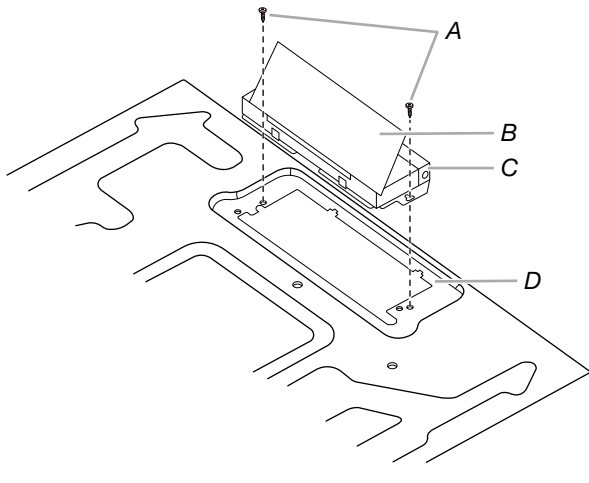
1. Remove screws attaching damper plate to top of microwave oven exterior. Slide damper plate toward the front of the microwave oven and lift up.



A. Screws
B. Damper plate

Install Damper Assembly (for roof venting only)

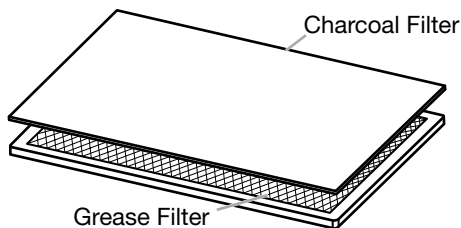
1. Check that damper blade moves freely, and opens fully.
2. Position the damper assembly on the top of microwave oven so that the damper blade hinge is at the top, and the damper blade opens away from the microwave oven.



- A. Screws
- B. Damper blade
- C. Damper assembly
- D. Top of the microwave oven

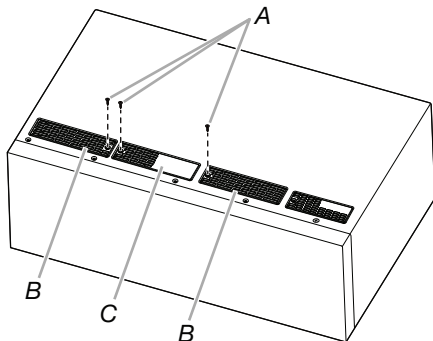
3. Secure damper assembly with two sheet metal screws 5/32" x 5/16" (4 mm x 8 mm).

NOTE: To ensure good performance of airflow, for Wall and Roof venting, remove the charcoal filter from the bottom plate before operating the microwave oven.



Vent Cover Installation (for both wall and upper vent installation)

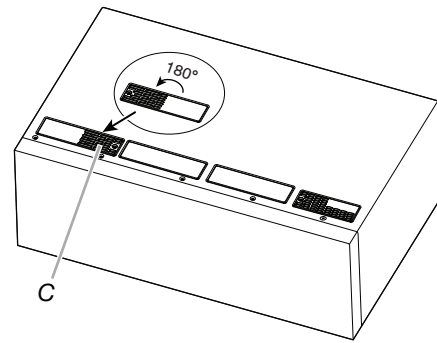
1. Remove screws attaching B and C covers. Slide them out. Keep cover C for use in Step 2.



- A. Screw
- B. Recirculation vent covers
- C. Recirculation lighting cover

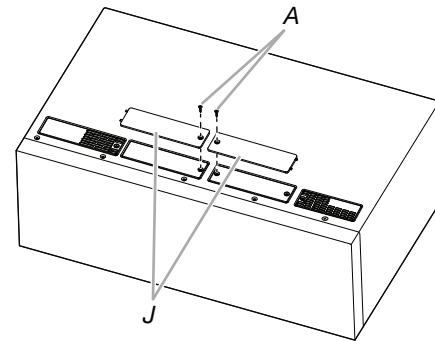
NOTE: Keep B for future recirculation vent installation.

2. Rotate C 180 degrees, place it as shown below.



C. Recirculation lighting cover

3. Take J from packaging upper foam (see item J in "Parts Supplied" section), attach both of them as shown below with screw removed from step 1.



- A. Screws
- J. Exhaust vent covers

Locate Wall Stud(s)

NOTE: If no wall studs exist within the cabinet opening, do not install the microwave oven.

See illustrations in "Possible Wall Stud Configurations."

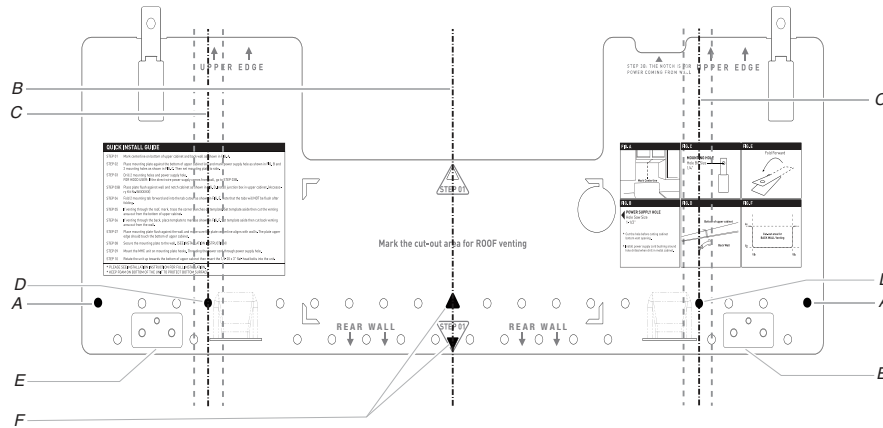
1. Using a stud finder, locate the edges of the wall stud(s) within the opening.
2. Mark the center of each stud and draw a plumb line down each stud center. See illustrations in "Possible Wall Stud Configurations."

Possible Wall Stud Configurations

These depictions show examples of preferred installation configurations with the mounting plate.

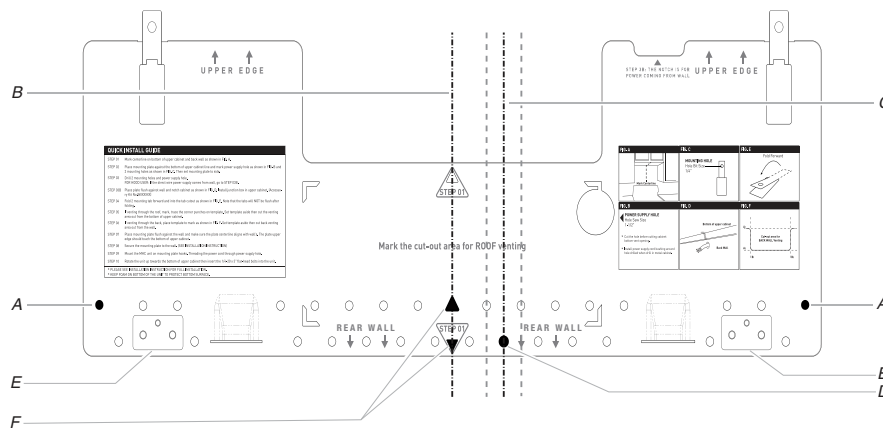
No Wall Studs at End Holes

Figure 1



No Wall Studs at End Holes

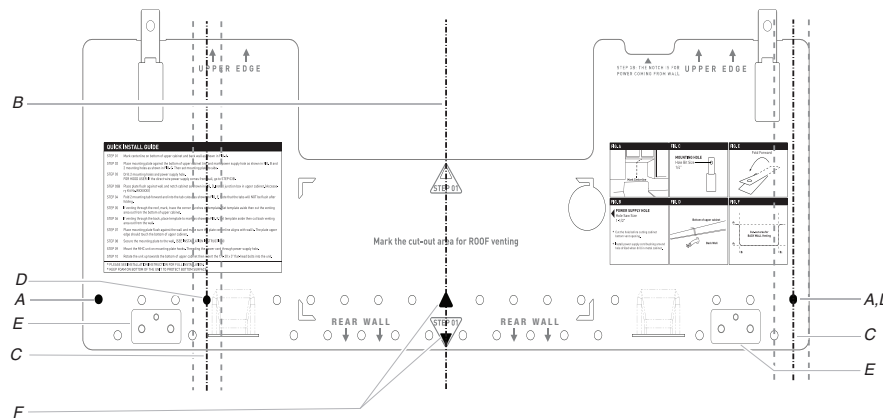
Figure 2



NOTE: If wall studs is within 6" (15.2 cm) of the vertical centerline (see "Mark Rear Wall" section), only recirculation or roof venting installation can be done.

Wall Studs at End Holes

Figure 3



A. End holes (on mounting plate)

B. Cabinet opening vertical centerline

C. Wall stud centerlines

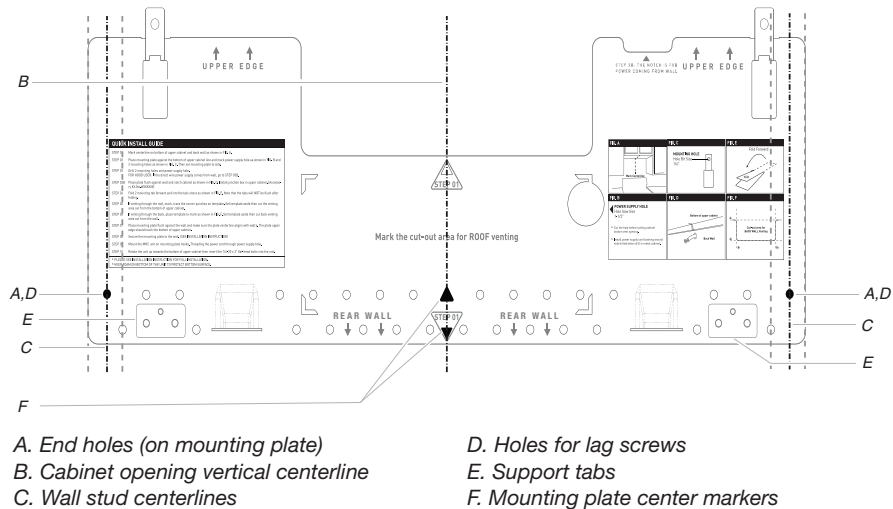
D. Holes for lag screws

E. Support tabs

F. Mounting plate center markers

Wall Studs at End Holes

Figure 4



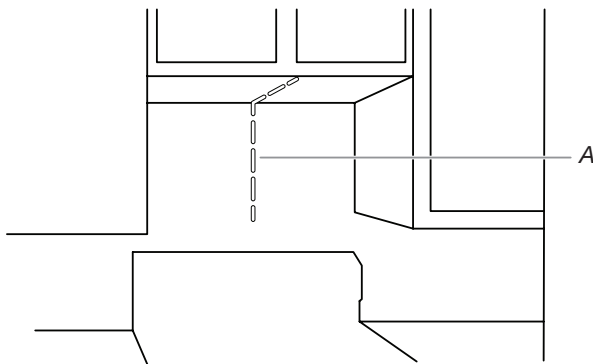
Prepare Upper Cabinet

You can find the quick reference guide direct from the mounting plate marking, or use this installation guide for installation. See below install steps:

1. Disconnect power to outlet.
2. Remove all contents from upper cabinet.
3. Mark centerline on bottom of upper cabinet. Place mounting plate against the bottom of the upper cabinet. Make sure the mounting plate centerline aligns with the vertical centerline on the rear wall.

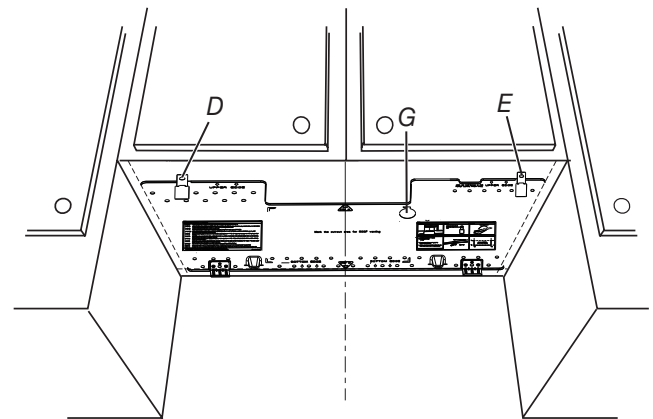
The "Rear wall" arrows must be against the rear wall so that the holes cut into the upper cabinet align with the holes in the top of the microwave oven.

NOTE: If the wall behind the microwave oven (as installed) has a partial wall covering (for example, tiled wall), be sure the "Rear Wall" arrows align to the thickest part of the rear wall (for example, to the tiles, rather than the drywall).

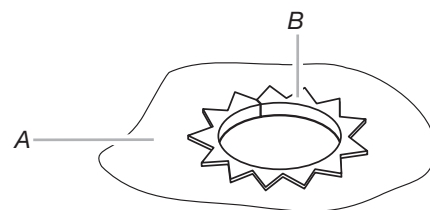


A. Centerline

4. Place mounting plate against the bottom of upper cabinet line and mark power supply hole "G" and 2 mounting holes "D" and "E" as shown in following figure. Make sure the 10 $\frac{3}{4}$ " (27.3 cm) dimension from the rear wall to "D" and "E" on the mounting plate is maintained. And 1 $\frac{1}{2}$ " (3.8 cm) diameter for "G" hole. Then cut the holes of "D", "E" and "G".



NOTE: If upper cabinet is metal, the supply cord bushing needs to be installed around the supply cord hole as shown.



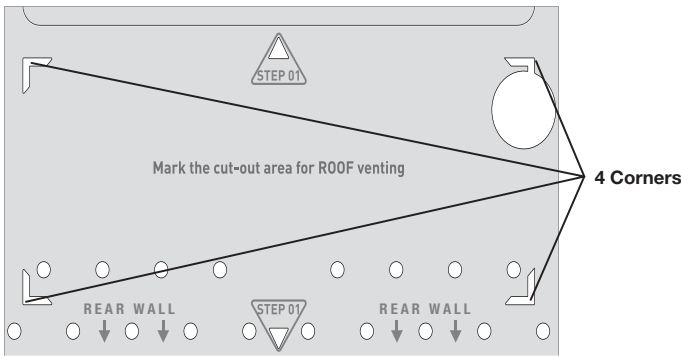
A. Metal cabinet
B. Power supply cord bushing

5. Drill 3/8" (9.5 mm) holes at points "D" and "E" on the mounting plate. These are for two 1/4" - 20 x 3" (7.6 cm) bolts and washers used to secure the microwave oven to the upper cabinet.

NOTE: If replacing a range hood that has the direct wire power supply coming from the wall, install outlet box accessory kit in upper cabinet. The Outlet Box Kit (part #W11082816) is not provided but can be purchased from Whirlpool.

Roof Venting Installation Only

If venting through the roof, mark and trace the corner punches on the mounting plate. Set mounting plate aside, cut the venting area out from the bottom of the upper cabinet using a keyhole saw.

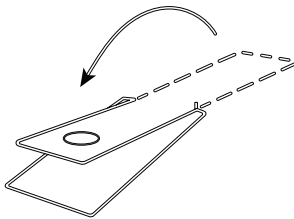


Mark Rear Wall

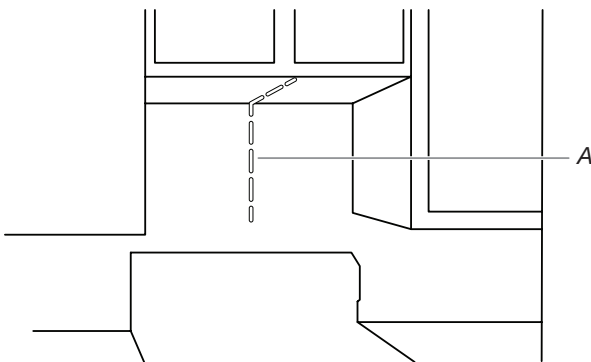
The microwave oven must be installed on a minimum of 1 wall stud, preferably 2, using a minimum of 1 lag screw, preferably 2.

1. Fold 2 mounting tabs forward into the tab cutout. Note that the tabs will NOT be flush after folding.

Fold Forward



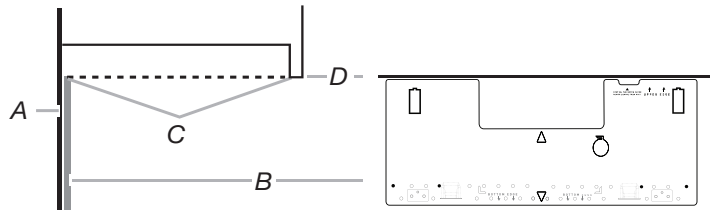
2. Mark centerline on the back wall. Place mounting plate against the back wall, find and clearly mark the vertical centerline of the opening.



A. Centerline

3. Align the center markers on the mounting plate to the centerline of the wall. Make sure it is leveled and top of the mounting plate is butted up against the bottom edge of the upper cabinet.

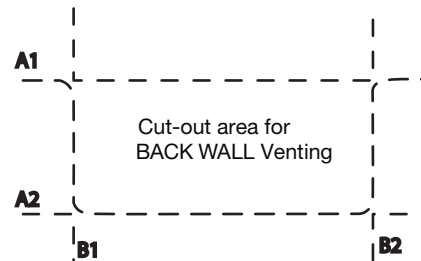
NOTE: If the front edge of the upper cabinet is lower than the back edge, lower the mounting plate so that its top is leveled with the front edge of the cabinet.



- A. Rear wall
- B. Mounting plate
- C. Top of mounting plate must align with front edge of cabinet
- D. Front edge of upper cabinet

Wall Venting Installation Only

4. If venting through the wall, place mounting plate on the wall and mark the cut-out area. Set mounting plate aside, then using a keyhole saw, cut out hole in the wall at back venting area.



Drill Holes in Rear Wall

In addition to being installed on at least 1 wall stud, the mounting plate must attach to the wall at both end holes. If the end holes are not over wall studs, use two 3/16-24 x 3" (7.6 cm) round head bolts with toggle nuts; if 1 end hole is over a wall stud, use 1 lag screw and one 3/16-24 x 3" (7.6 cm) round-head bolt with toggle nut; or if both end holes are over wall studs, use 2 lag screws. Following are 3 installation configurations.

Installation for No Wall Studs at End Holes (Figures 1 and 2)

1. Drill 5/8" (1.6 cm) holes through the wall at both end holes marked in Step 3 of "Mark Rear Wall."
2. Drill 3/16" (5 mm) hole(s) into the wall stud(s) at the hole(s) marked in Step 6 of "Mark Rear Wall." Refer to figures 1 and 2 in "Possible Wall Stud Configurations" in the "Locate Wall Stud(s)" section.

Installation for Wall Stud at One End Hole (Figure 3)

1. Drill a 3/16" (5 mm) hole into the wall stud at the end hole marked in Step 3 of "Mark Rear Wall."
2. If installing on a second wall stud, drill a 3/16" (5 mm) hole into the wall stud at the other hole marked in Step 6 of "Mark Rear Wall." Refer to Figure 3 in "Possible Wall Stud Configurations" in the "Locate Wall Stud(s)" section.
3. Drill a 5/8" (1.6 cm) hole through the wall at the other end hole.

Installation for Wall Studs at Both End Holes (Figure 4)

1. Drill 3/16" (5 mm) hole into the wall stud at the end hole marked in Step 3 of "Mark Rear Wall."

Attach Mounting Plate to Wall

NOTE: Secure the mounting plate to the wall at both end holes drilled into the wall studs and/or drywall using either 3/16 - 24 x 3" (7.6 cm) round-head bolts and toggle nuts or 1/4" x 2" (0.6 cm x 5.1 cm) lag screws.

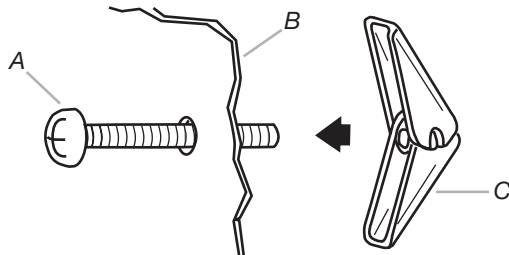
Refer to illustrations in "Possible Wall Stud Configurations" in the "Locate Wall Stud(s)" section.

For fast wall and roof vent installation, see the quick reference guide on the mounting plate.

No Wall Studs at End Holes (Figures 1 and 2)

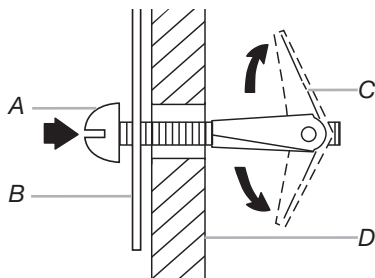
NOTE: The mounting plate must be secured to the wall on at least 1 wall stud as well as at both ends.

1. With the support tabs of the mounting plate facing forward, insert 3/16-24 x 3" (7.6 cm) round-head bolts through both end holes of mounting plate.
2. Start toggle nuts on bolts from the back of the mounting plate. Leave enough space for the toggle nuts to go through the wall and to open.



A. 3/16 - 24 x 3" (7.6 cm) round-head bolt
B. Mounting plate
C. Spring toggle nut

3. Position mounting plate on the wall.
4. Push the 2 bolts with toggle nuts through the drywall and finger tighten the bolts to make sure toggle nuts have opened against drywall.



A. 3/16 - 24 x 3" (7.6 cm) round-head bolt
B. Mounting plate
C. Spring toggle nut
D. Drywall

5. Insert lag screw(s) into the hole(s) drilled into wall stud(s) in Step 2 of "Installation for No Wall Studs at End Holes" in the "Drill Holes in Rear Wall" section.
6. Check alignment of mounting plate, making sure it is level.
7. Securely tighten all lag screws and bolts.

Wall Stud at One End Hole (Figure 3)

1. With the support tabs of the mounting plate facing forward, insert a 3/16-24 x 3" (7.6 cm) round-head bolt through the end hole that fits over the 5/8" (1.6 cm) hole drilled in Step 3 of "Installation for Wall Stud at One End Hole" in the "Drill Holes in Rear Wall" section.

2. Start a toggle nut on the bolt from the back of the mounting plate. Leave enough space for the toggle nut to go through the wall and to open.
3. Position mounting plate on the wall.
4. Push the bolt with toggle nut through the drywall and finger tighten the bolt to make sure toggle nut has opened against drywall.
5. Insert a lag screw into the remaining end hole.
6. If installing on a second wall stud, insert a lag screw into the other hole drilled in Step 2 of "Installation for Wall Stud at One End Hole" in the "Drill Holes in Rear Wall" section. Check alignment of mounting plate, making sure it is level.
7. Securely tighten the lag screw(s) and bolt.

Wall Studs at Both End Holes (Figure 4)

1. Position mounting plate on the wall.
2. Insert lag screws into both end holes.
3. Check alignment of mounting plate, making sure it is level.
4. Securely tighten the lag screws.

Install the Microwave Oven

⚠ WARNING

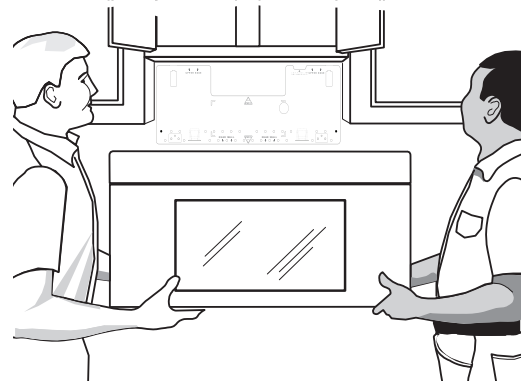
Excessive Weight Hazard

Use two or more people to move and install microwave oven.

Failure to do so can result in back or other injury.

IMPORTANT: The control side of the microwave oven is the heavy side. Handle the microwave oven gently.

1. Place a washer on each 1/4-20 x 3" (7.6 cm) flat-head bolt and place inside upper cabinet near the 3/8" (9.5 mm) holes.
2. Make sure the microwave oven door is closed and taped shut.



3. Using 2 or more people, lift microwave oven and hang it on support tabs at the bottom of mounting plate.

NOTE: To avoid damage to the microwave oven, do not grip or use the door or door handle while the microwave oven is being handled.

4. With front of microwave oven still tilted, thread power supply cord through the power supply cord hole in the bottom of the upper cabinet.

5. Rotate microwave oven up toward upper cabinet.

NOTE: If venting through the wall, make sure the damper assembly fits easily into the vent in the wall cutout.

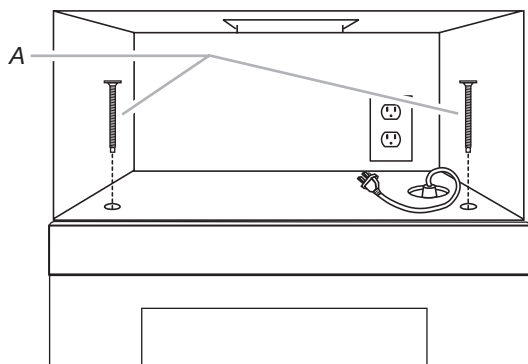
6. Push microwave oven against mounting plate and hold in place.

NOTE: If microwave oven does not need to be adjusted, skip steps 7 through 9.

7. If adjustment is required, rotate microwave oven downward. Using 2 or more people, lift microwave oven off of mounting plate and set aside on a covered surface.
8. Loosen mounting plate screws. Adjust mounting plate and re-tighten screws.
9. Repeat steps 3 through 6.
10. With the microwave oven centered, and with at least one person holding it in place, insert bolts through upper cabinet into microwave oven. Tighten bolts until there is no gap between upper cabinet and microwave oven.

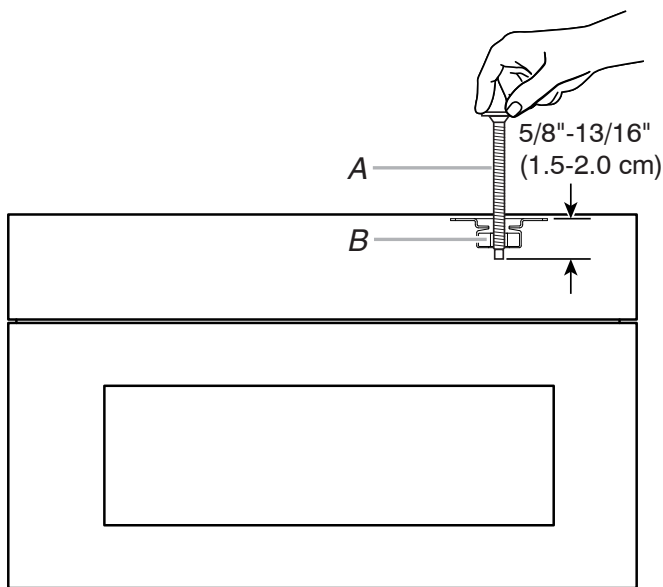
NOTES:

- Some upper cabinets may require bolts longer or shorter than 3" (7.6 cm). Longer or shorter bolts are available at most hardware stores.
- Over-tightening bolts may warp the top of the microwave oven. To avoid warping, wood filler blocks (installer to provide) may be added. The blocks must be the same thickness as the space between the upper cabinet bottom and the microwave oven.



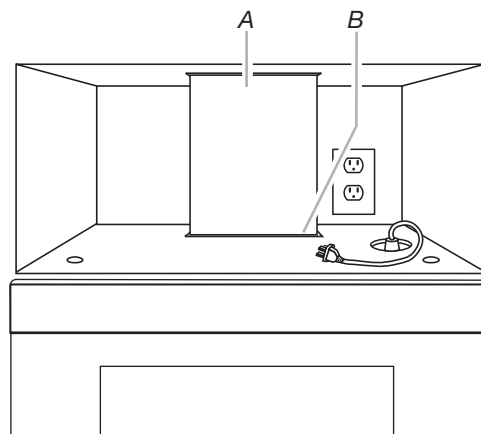
A. Bolts

NOTE: Avoid damage to the mounting nut, screw the bolts into the mounting nut holes around 5/8"-13/16" (1.5-2.0 cm) by hand first, make sure the bolts thread in properly. Then tighten with tools.



A. Bolt
B. Mounting Nut

11. Connect vent to damper assembly.



A. Vent
B. Damper assembly (under vent) Compact

Complete Installation

1. Install filters. Refer to the User Instructions for filter placement.

! WARNING



Electrical Shock Hazard

Plug into a grounded 3 prong outlet.

Do not remove ground prong.

Do not use an adapter.

Do not use an extension cord.

Failure to follow these instructions can result in death, fire, or electrical shock.

2. Plug microwave oven into grounded 3 prong outlet.
3. Reconnect power.
4. Check the operation of microwave oven by placing 1 cup (250 ml) of water on the turntable and programming a cook time of 1 minute at 100% power. Test vent fan and exhaust by operating the vent fan.
5. If the microwave oven does not operate:
 - Check that a household fuse has not blown, or that a circuit breaker has not tripped. Replace the fuse or reset the circuit breaker. If the problem continues, call an electrician.
 - Check that the power supply cord is plugged into a grounded 3 prong outlet.
 - See the User Instructions for troubleshooting information.

Installation is now complete.

Save Installation Instructions for future use.

VENTING DESIGN SPECIFICATIONS

This section is intended for architectural designer and builder/contractor reference only.

NOTES:

- Vent materials needed for installation are not provided with microwave hood combination.
- We do not recommend using a flexible metal vent.
- To avoid possible product damage, be sure to vent air outside, unless using recirculation installation. Do not vent exhaust air into concealed spaces, such as spaces within walls or ceilings, attics, crawl spaces, or garages.

For optimal venting installation, we recommend:

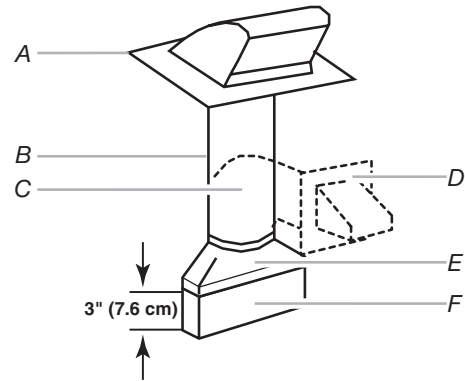
- Using roof or wall caps that have back draft dampers
- Using a rigid metal vent
- Using the most direct route by minimizing the length of the vent and number of elbows to provide efficient performance
- Using uniformly sized vents
- Using duct tape to seal all joints in the vent system
- Using caulking compound to seal exterior wall or roof opening around cap
- Not installing 2 elbows together for optimal hood performance

If venting through the wall, be sure that there is proper clearance within the wall for the damper to open fully.

If venting through the roof, and rectangular-to-round transition is used, be sure there are at least 3" (7.6 cm) of clearance between the top of the microwave oven and the transition piece. See "Rectangular-to-Round Transition" illustration.

Rectangular-to-Round Transition

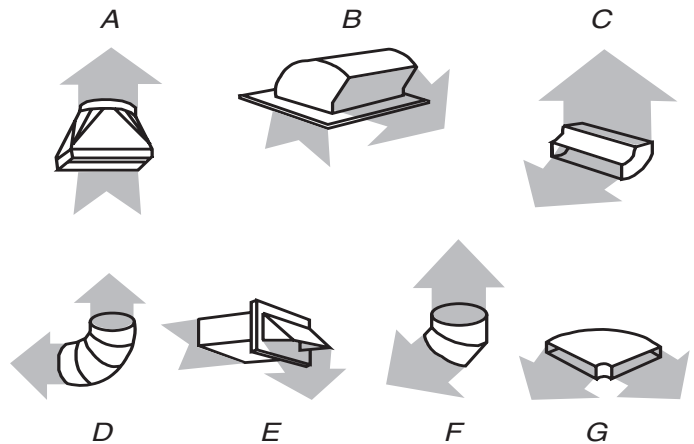
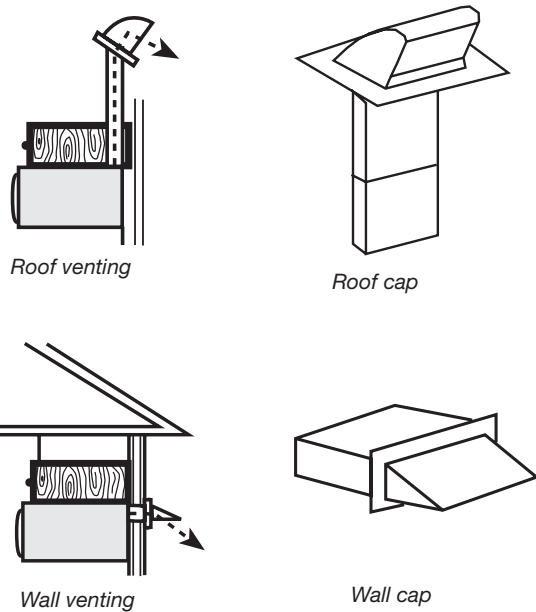
NOTE: The minimum 3" (7.6 cm) clearance must exist between the top of the microwave oven and the rectangular to round transition piece so that the damper can open freely and fully.



- A. Roof cap
- B. 6" (15.2 cm) min. diameter round vent
- C. Elbow (for wall venting only)
- D. Wall cap
- E. 3 1/4" x 10" to 6" (8.3 x 25.4 cm to 15.2 cm) rectangular to round transition piece
- F. Vent extension piece, at least 3" (7.6 cm) high

Recommended Standard Fittings

The following length equivalents are for use when figuring vent length. See the examples in "Recommended Vent Length."



- A. Rectangular-to-round transition piece: 3 1/4" x 10" to 6" = 5 ft (8.3 x 25.4 cm to 15.2 cm = 1.5 m)
- B. Roof cap: 3 1/4" x 10" = 24 ft (8.3 x 25.4 cm = 7.3 m)
- C. 90° elbow: 3 1/4" x 10" = 25 ft (8.3 x 25.4 cm = 7.6 m)
- D. 90° elbow: 6" = 10 ft (15.2 cm = 3 m)
- E. Wall cap: 3 1/4" x 10" = 40 ft (8.3 x 25.4 cm = 12.2 m)
- F. 45° elbow: 6" = 5 ft (15.2 cm = 1.5 m)
- G. 90° flat elbow: 3 1/4" x 10" = 10 ft (8.3 x 25.4 cm = 3 m)

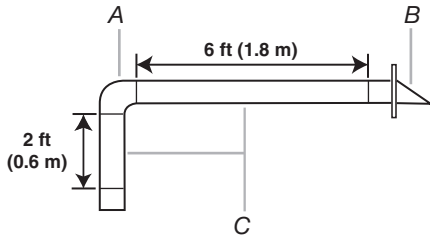
Recommended Vent Length

A 3¼" x 10" (8.3 cm x 25.4 cm) rectangular or 6" (15.2 cm) round vent should be used.

The total length of the vent system including straight vent, elbow(s), transitions, and wall or roof caps must not exceed the equivalent of 140 ft (42.7 m) for either type of vent. See the "Recommended Standard Fittings" section for equivalent lengths.

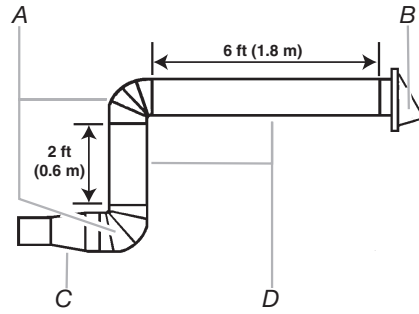
For best performance, use no more than three 90° elbows. To calculate the length of the system you need, add the equivalent lengths of each vent piece used in the system. See the following examples.

3¼" x 10" (8.3 x 25.4 cm) vent system = 73 ft (22.2 m) total.



- A. One 3¼" x 10" (8.3 x 25.4 cm) 90° elbow = 25 ft (7.6 m)
- B. 1 wall cap = 40 ft (12.2 m)
- C. 2 ft (0.6 m) + 6 ft (1.8 m) straight = 8 ft (2.4 m)

6" (15.2 cm) vent system = 73 ft (22.2 m) total.



- A. Two 90° elbows = 20 ft (6.1 m)
- B. 1 wall cap = 40 ft (12.2 m)
- C. 1 rectangular-to-round transition piece = 5 ft (1.5 m)
- D. 2 ft (0.6 m) + 6 ft (1.8 m) straight = 8 ft (2.4 m)

If the existing vent is round, a rectangular-to-round transition piece must be used. In addition, a rectangular 3" (7.6 cm) extension vent between the damper assembly and rectangular to round transition piece must be installed to keep the damper from sticking.

ASSISTANCE

Call your authorized dealer or service center. When you call, you will need the microwave oven model number and serial number. Both numbers can be found on the model and serial number plate, which is located behind the microwave oven door on the front frame of the microwave oven.

If you need additional assistance, call us at our toll-free number or visit our website listed in the User Guide.

Replacement Parts

If any of the installation hardware needs to be replaced, call us at our toll-free number listed in the User Guide.

Following is a list of available replacement parts. You will need your model number located on the front facing of the microwave oven opening, behind the door.

- Damper assembly
- Mounting plate
- Mounting Screw Kit (includes parts A through G in “Parts Supplied” in the “Tools and Parts” section)

SEGURIDAD DE LA COMBINACIÓN DE MICROONDAS Y CAMPANA

Su seguridad y la seguridad de los demás es muy importante.

Hemos incluido muchos mensajes importantes de seguridad en este manual y en su electrodoméstico. Lea y obedezca siempre todos los mensajes de seguridad.



Este es el símbolo de alerta de seguridad.

Este símbolo le llama la atención sobre peligros potenciales que pueden ocasionar la muerte o una lesión a usted y a los demás.

Todos los mensajes de seguridad irán a continuación del símbolo de advertencia de seguridad y de la palabra "PELIGRO" o "ADVERTENCIA". Estas palabras significan:

 **PELIGRO**

Si no sigue las instrucciones de inmediato, usted puede morir o sufrir una lesión grave.

 **ADVERTENCIA**

Si no sigue las instrucciones, usted puede morir o sufrir una lesión grave.

Todos los mensajes de seguridad le dirán el peligro potencial, le dirán cómo reducir las posibilidades de sufrir una lesión y lo que puede suceder si no se siguen las instrucciones.

REQUISITOS DE INSTALACIÓN

Herramientas y piezas

Herramientas necesarias

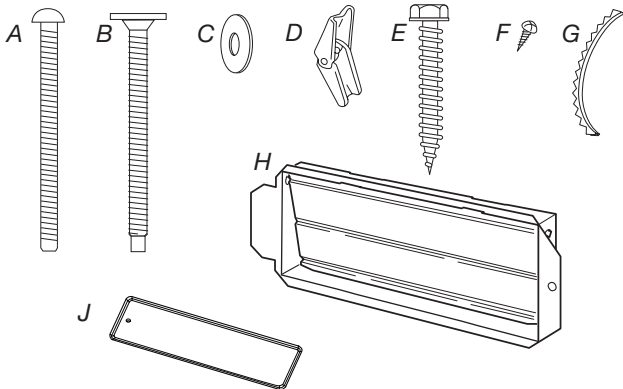
Reúna las herramientas y las piezas necesarias antes de comenzar la instalación. Lea y siga las instrucciones provistas con cualquiera de las herramientas detalladas aquí.

- Cinta métrica
- Lápiz
- Cinta de enmascarar o tachuelas
- Tijeras
- Destornillador Phillips n.º 3 para pernos de 1/4 - 20 x 3" (7,6 cm)
- Taladro
- Brocas de barrena de 3/16" (5 mm), 3/8" (9,5 mm) y 5/8" (1,6 cm)
- Sierra perforadora de 3/4" (1.9 cm)
- Alicata cortaalambres diagonal
- Detector de vigas
- Llave de cubo (o llave de punta hexagonal) de 7/16" (1,1 cm) para tirafondos de 1/4" x 2" (0,6 cm x 5,1 cm)
- Broca de barrena para un orificio de 1 1/2" (3,8 cm) de diámetro para el gabinete de madera o de metal
- Sierra caladora
- Pistola para calafateo y compuesto para calafateo impermeable
- Cinta para ductos

Piezas suministradas

Para obtener información sobre cómo hacer un pedido, vea la sección "Piezas de repuesto".

NOTA: Los artículos de ferretería que se enumeran aquí son para vigas de madera. Para otros tipos de estructuras de pared, asegúrese de usar dispositivos de sujeción adecuados.



A. Pernos de cabeza redonda de 3/16 - 24 x 3" (7,6 cm) (2)

B. Pernos de cabeza plana de 1/4 - 20 x 3" (7,6 cm) (2)

C. Arandelas (2)

D. Tuercas de palanca de 3/16" (4,8 mm) (2)

E. Tirafondos de 1/4" x 2" (0,6 cm x 5,1 cm) (2)

F. Tornillos para metal laminado de 5/32" x 5/16" (0,4 cm x 0,8 cm) (2)

G. Buje para cable de suministro eléctrico (1)

H. Conjunto de compuerta de tiro (para ventilación a través de la pared o del techo)

J. Cubierta de ventilación de escape (2)

No se muestra:

- Placa de montaje (ubicada en la poliespuma superior)

- Filtros de grasa

- Filtros de carbón

NOTA: Según el modelo, el filtro para grasa de aluminio y el filtro de carbón se pueden combinar.

Materiales necesarios

Accesorios estándar para la ventilación a través de la pared o del techo. Consulte la sección "Especificaciones para el diseño de la ventilación".

Requisitos de ubicación

IMPORTANTE: Verifique la abertura donde se instalará el horno de microondas. La ubicación debe ofrecer:

- Dimensiones de instalación mínimas. Consulte la ilustración "Dimensiones de instalación".
- Al menos una viga para pared de madera de 2" x 4" (5,1 cm x 10,2 cm) y un muro de mampostería o yeso/listón con un espesor mínimo de 3/8" (9,5 mm) dentro de la abertura del gabinete.
- Soporte para un peso de 150 libras (68 kg), lo que incluye el horno de microondas y los objetos que se coloquen en su interior, así como en el gabinete superior.
- Un contacto eléctrico conectado a tierra dentro del gabinete superior. Consulte la sección "Requisitos eléctricos"

NOTA: Algunos gabinetes y materiales de construcción no están diseñados para resistir el calor que produce el horno de microondas durante la cocción. Verifique con el constructor o con el distribuidor de armarios para asegurarse de que los materiales que se usen no cambien de color, se astillen ni sufran otros daños.

Requisitos especiales

Solamente para la instalación con ventilación en la pared:

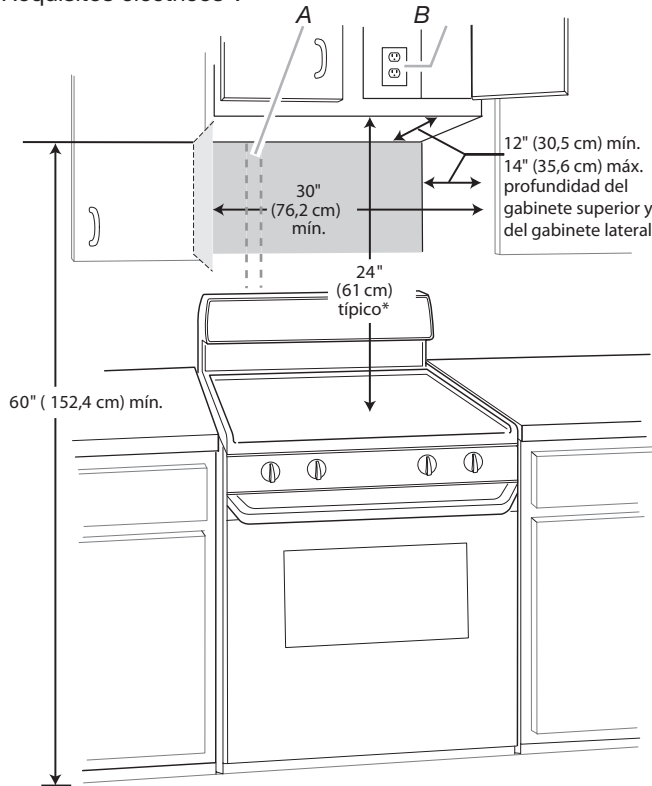
- El recorte deberá estar libre de cualquier obstrucción para que el tubo de ventilación encaje como es debido y la hoja de la compuerta de tiro se abra libremente y por completo.

Solamente para la instalación con ventilación en el techo:

- Si usa un tubo de transición de rectangular a redondo, deberá haber un espacio de 3" (7,6 cm) por encima del horno de microondas, para que la hoja de la compuerta de tiro pueda abrirse libremente y por completo. Consulte la ilustración "Tubo de transición rectangular a redondo" en la sección "Especificaciones para el diseño de la ventilación".

Dimensiones de instalación

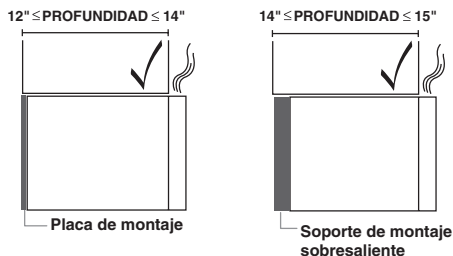
NOTA: El contacto de pared de conexión a tierra de 3 terminales debe estar dentro del gabinete superior. Consulte la sección "Requisitos eléctricos".



A. Viga de pared de 2" x 4" (5,1 cm x 10,1 cm)
B. Contacto de 3 terminales con conexión a tierra

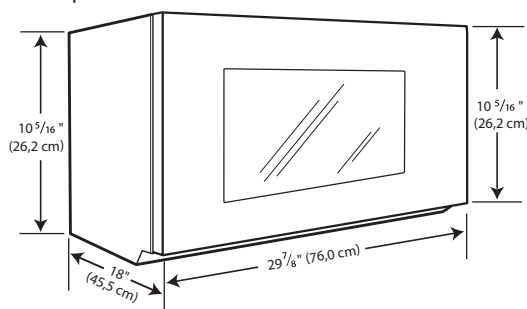
*24" (61 cm) es lo típico para una altura de instalación de 60" (152,4 cm) Las medidas exactas pueden variar según el tipo de estufa/superficie de cocción que haya debajo.

NOTA: Para asegurar un buen rendimiento, no obstruya el flujo de aire de la ventilación superior. Si los gabinetes tienen una profundidad mayor a 14" (35,6 cm) pero no mayor a 15" (38,1 cm), use el kit de montaje sobresaliente para reemplazar la placa de montaje del muro. El kit de montaje sobresaliente (n.º de parte W11185746) no se incluye, pero puede adquirirse a Whirlpool.



Dimensiones del producto

*La profundidad global del producto variará ligeramente según el diseño de la puerta.



Requisitos eléctricos

⚠ ADVERTENCIA



Peligro de Choque Eléctrico

Conecte a un contacto de pared de conexión a tierra de 3 terminales.

No quite la terminal de conexión a tierra.

No use un adaptador.

No use un cable eléctrico de extensión.

No seguir estas instrucciones puede ocasionar la muerte, incendio o choque eléctrico.

Respete todos los códigos y las ordenanzas vigentes.

Se necesita:

- Un suministro eléctrico de 120 V, 60 Hz, CA solamente, de 15 A o 20 A con fusible o disyuntor

Se recomienda:

- Un fusible o un disyuntor retardador
- Un circuito separado que preste servicio solamente a este horno de microondas

INSTRUCCIONES PARA LA CONEXIÓN A TIERRA

■ Para todos los aparatos electrodomésticos de conexión con cable:

El horno de microondas debe estar conectado a tierra. En caso de que se produzca un cortocircuito, la conexión a tierra reduce el riesgo de electrocución por medio de un alambre de escape para la corriente eléctrica. El horno de microondas está equipado con un cable que tiene un alambre de conexión a tierra con un enchufe para conexión a tierra. El enchufe debe estar conectado a un tomacorriente que está correctamente instalado y conectado a tierra.

ADVERTENCIA: El uso incorrecto del enchufe para la conexión a tierra puede resultar en riesgo de electrocución. Consulte con un electricista o técnico calificado si las instrucciones para conexión a tierra no se entienden bien o si hay alguna duda con respecto a la correcta conexión a tierra del horno de microondas.

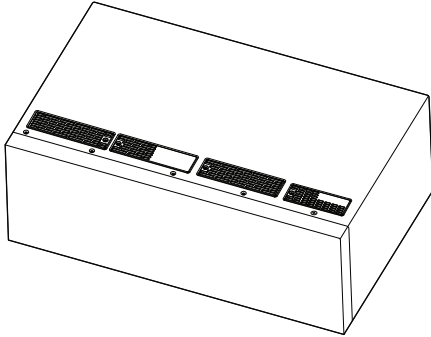
No use un cable de extensión. Si el cable de suministro eléctrico es muy corto, haga que un electricista o técnico calificado instale un tomacorriente cerca del horno de microondas.

GUARDE ESTAS INSTRUCCIONES

INSTRUCCIONES DE INSTALACIÓN

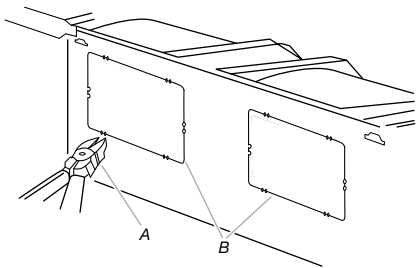
El horno de microondas está ajustado para la instalación con recirculación. Para la ventilación a través de la pared o del techo, deberá modificarse el sistema de ventilación.

NOTA: Omita las siguientes secciones si va a usar instalación con recirculación. Vaya a la sección "Ubique el (los) pie(s) derecho(s) de pared". Conserve el ensamblaje de la compuerta de tiro en caso de que cambie el método de ventilación o si va a volver a instalar el horno de microondas en otro lugar donde posiblemente use ventilación a través de la pared o del techo.



Solamente para la instalación con ventilación en la pared

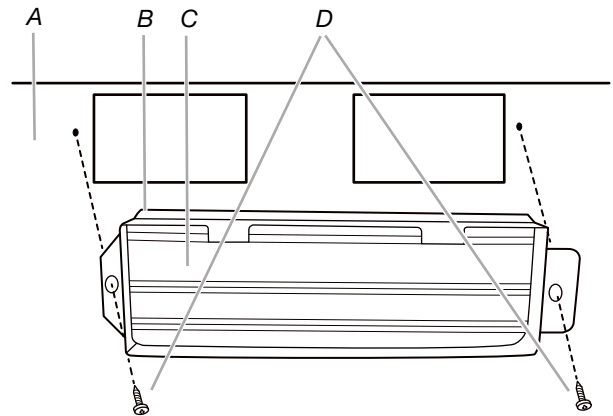
1. Corte con cuidado las cubiertas rectangulares de ventilación que se encuentran en la placa de la compuerta con el alicate cortaalambres diagonal.



A. Alicata cortaalambres diagonal
B. Cubiertas de ventilación de la compuerta de tiro

Instalación del conjunto de la compuerta de tiro (para ventilación por la pared solamente)

1. Verifique que la hoja de la compuerta se mueva libremente y que se abra completamente.
2. Ubique el ensamblaje de la compuerta de tiro sobre la parte posterior del horno de microondas de modo que la bisagra de la hoja de la compuerta de tiro quede en la parte superior y la hoja se abra alejándose del horno de microondas.

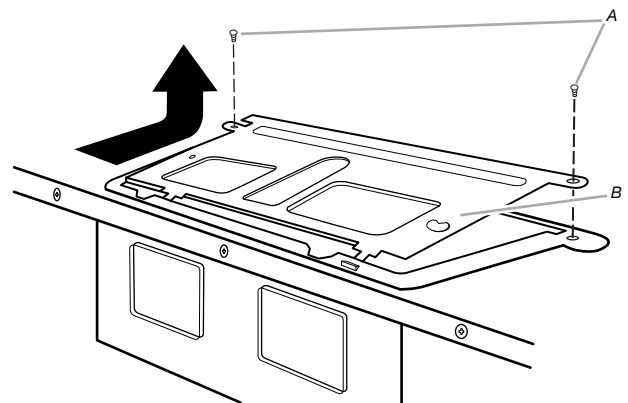


A. Parte posterior del horno de microondas
B. Ensamblaje de la compuerta de tiro
C. Hoja de la compuerta de tiro
D. Tornillo para metal laminado de 5/32" x 5/16" (4 mm x 8 mm)

3. Asegure el ensamblaje de la compuerta de tiro con dos tornillos para metal laminado de 5/32" x 5/16" (4 mm x 8 mm).

Solamente para la instalación con ventilación en el techo

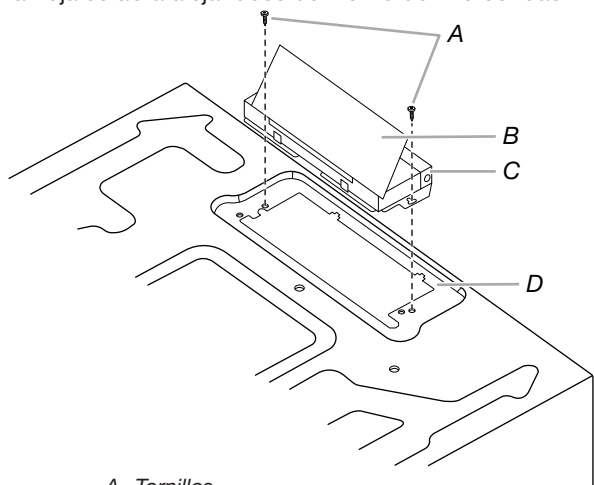
1. Retire los tornillos que sujetan la placa de la compuerta de tiro a la parte superior exterior del horno de microondas. Deslice la placa de la compuerta hacia el frente del horno de microondas y levántela.



A. Tornillos
B. Placa de la compuerta de tiro

Instalación del conjunto de la compuerta de tiro (para ventilación en el techo solamente)

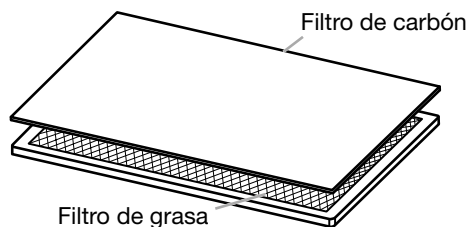
1. Verifique que la hoja de la compuerta se mueva libremente y que se abra completamente.
2. Ubique el conjunto de la compuerta de tiro sobre la parte superior del horno de microondas, de modo que la bisagra de la hoja de la compuerta de tiro quede en la parte superior y la hoja se abra alejándose del horno de microondas.



- A. Tornillos
B. Hoja de la compuerta
C. Ensamblaje de la compuerta de tiro
D. Parte superior del horno de microondas

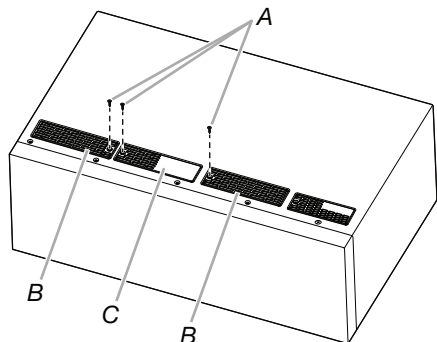
3. Asegure el ensamblaje de la compuerta de tiro con dos tornillos para metal laminado de 5/32" x 5/16" (4 mm x 8 mm).

NOTA: Para garantizar un buen rendimiento del flujo de aire, para ventilación por la pared y en el techo, retire el filtro de carbón de la placa inferior antes de operar el horno de microondas.



Instalación de la cubierta de ventilación (para instalación de ventilación superior y ventilación por la pared)

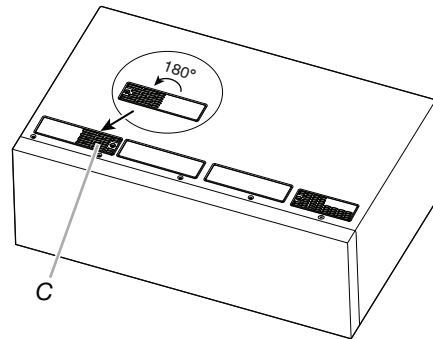
1. Quite los tornillos que fijan las cubiertas B y C. Deslícelos para retirarlos. Deje la cubierta C a un lado para usarla en el paso 2.



- A. Tornillo
B. Cubiertas de ventilaciones de recirculación
C. Cubierta de iluminación de recirculación

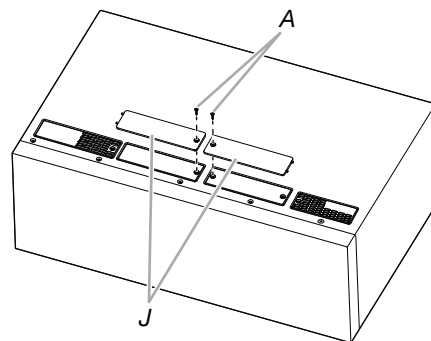
NOTA: Conserve el artículo B para la futura instalación de la ventilación de recirculación.

2. Rote el artículo C 180 grados y colóquelo como se muestra a continuación.



C. Cubierta de iluminación de recirculación

3. Tome el artículo J de la espuma superior de embalaje (consulte el artículo J en la sección "Partes suministradas"), fije ambas como se muestra a continuación sin el tornillo, quitado en el paso 1.



- A. Tornillos
J. Cubiertas de ventilación de escape

Ubique la(s) viga(s) de pared

NOTA: Si no hay pies derechos de pared dentro de la abertura del gabinete, no instale el horno de microondas.

Vea las ilustraciones en "Posibles configuraciones de las vigas de pared".

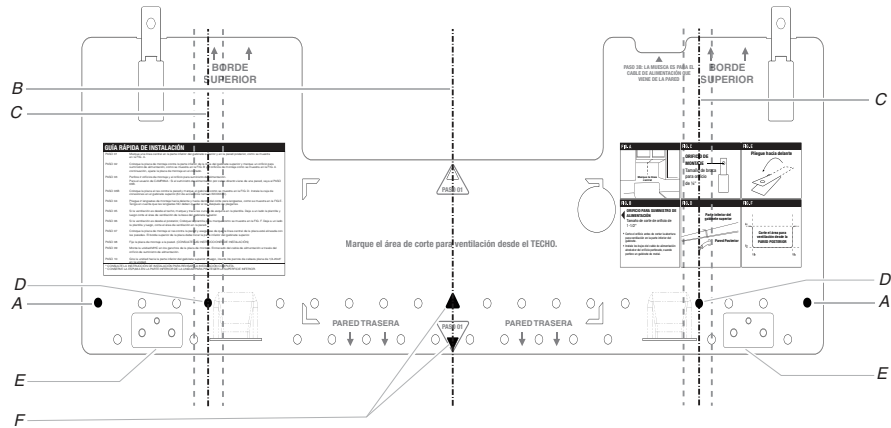
1. Ubique los bordes de las vigas de pared dentro de la abertura con un detector de vigas.
2. Marque el centro de cada viga y trace una línea a plomo hacia abajo desde el centro de cada viga. Vea las ilustraciones en "Posibles configuraciones de las vigas de pared".

Posibles configuraciones de las vigas de pared

Estas representaciones muestran ejemplos de las configuraciones de instalación preferidas con la placa de montaje.

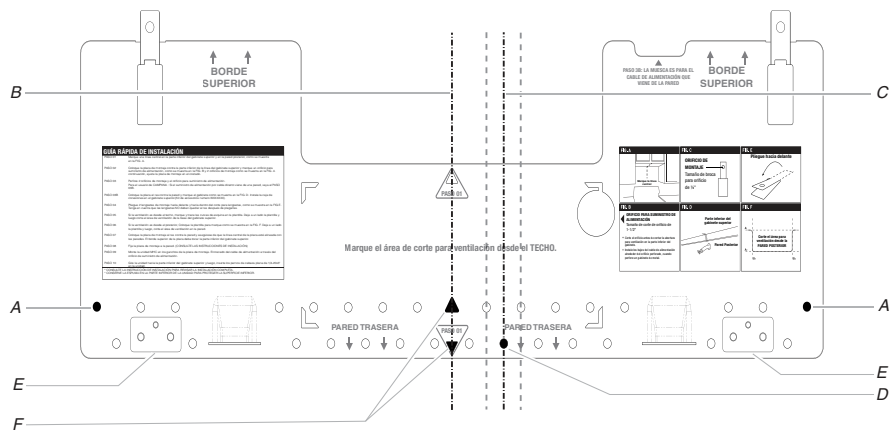
Sin vigas de pared en los orificios de extremo

Figura 1



Sin vigas de pared en los orificios de extremo

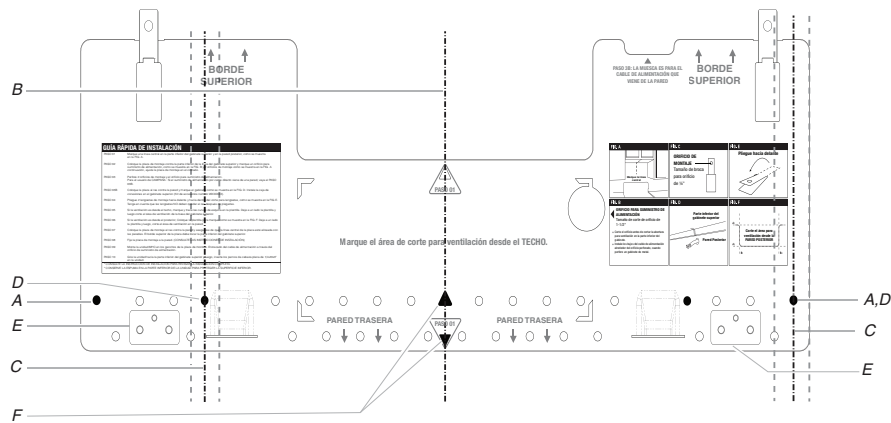
Figura 2



NOTA: Si las vigas de pared están a no más de 6" (15,2 cm) de la línea central vertical (consulte la sección "Marque la pared posterior"), solamente se podrá hacer una instalación con recirculación o una instalación con ventilación en el techo.

Vigas de pared en orificios de extremo

Figura 3

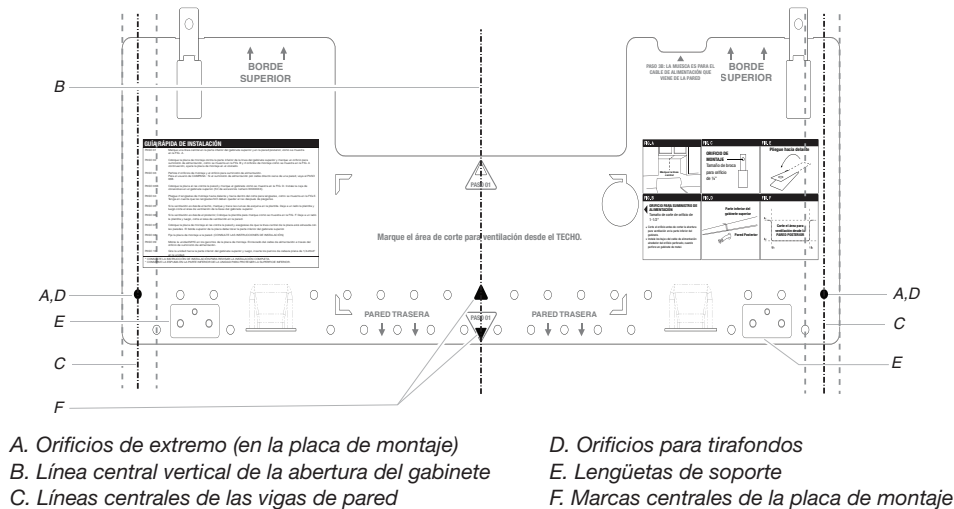


- A. Orificios de extremo (en la placa de montaje)
- B. Línea central vertical de la abertura del gabinete
- C. Líneas centrales de las vigas de pared

- D. Orificios para tirafondos
- E. Lengüetas de soporte
- F. Marcas centrales de la placa de montaje

Vigas de pared en orificios de extremo

Figura 4



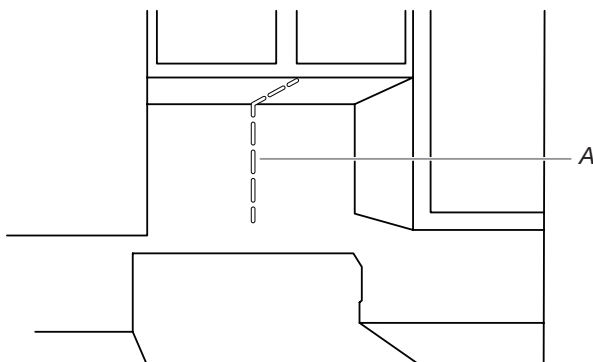
Preparación del gabinete superior

Puede encontrar la guía de referencia rápida directamente en la marca de la placa de montaje o bien utilizar esta guía para la instalación. Consulte los pasos descritos a continuación:

1. Desconecte el suministro eléctrico que alimenta el contacto de pared.
2. Retire todo el contenido del gabinete superior.
3. Marque la línea central en la parte inferior del gabinete superior. Coloque la placa de montaje contra la base del gabinete superior. Asegúrese de que la línea central de la placa de montaje quede alineada con la línea central vertical en la pared posterior.

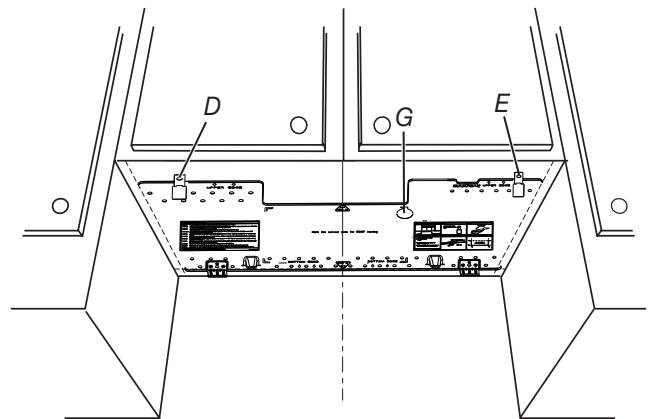
Las flechas que indican "Rear Wall" (Pared posterior) deben estar contra la pared posterior para que los orificios que se cortaron en el gabinete superior queden alineados con los orificios de la parte superior del horno de microondas.

NOTA: Si la pared detrás del horno de microondas (según se haya instalado) tiene un revestimiento de pared parcial (por ejemplo, azulejos), asegúrese de que las flechas que indican "Rear Wall" (Pared posterior) se alineen con la parte más gruesa de la pared posterior (por ejemplo, con los azulejos y no con el panel de yeso).

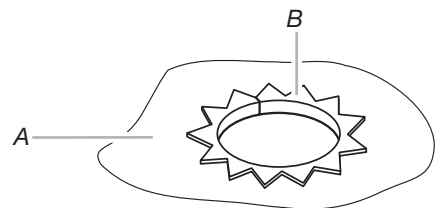


A. Línea central

4. Coloque la placa de montaje contra la parte inferior de la línea del gabinete superior y marque un orificio para suministro de alimentación "G" y 2 orificios de montaje "D" y "E", como se muestra en la siguiente figura. Asegúrese de mantener la medida de 10 3/4" (27,3 cm) de la pared posterior a "D" y "E" en la placa de montaje. Y la medida de 1 1/2" (3,8 cm) para el orificio "G". A continuación, corte los orificios de "D", "E" y "G".



NOTA: Si el gabinete superior es de metal, el buje del cable de suministro se debe instalar alrededor del orificio del cable de suministro, como se muestra.



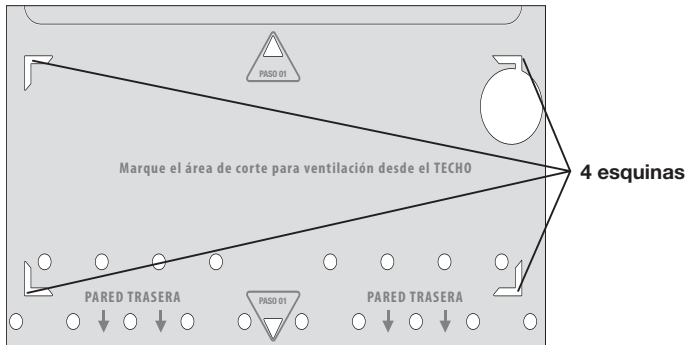
A. Gabinete de metal
B. Buje del cable de suministro de electricidad

5. Taladre orificios de 3/8" (9,5 mm) en los puntos "D" y "E" de la placa de montaje. Son para los dos pernos de 1/4 - 20 x 3" (7,6 cm) y las arandelas usados para asegurar el horno de microondas al gabinete superior.

NOTA: Si vuelve a colocar una campana con alimentación mediante cable directa desde la pared, instale el kit de accesorios de la caja de salida en el gabinete superior. El kit de caja de salida (n.º de parte W11082816) no se incluye, pero puede adquirirse a Whirlpool.

Solamente para la instalación con ventilación en el techo

Si la ventilación es desde el techo, marque y trace las curvas de esquina en la placa de montaje. Coloque a un costado la placa de montaje y corte el área de ventilación de la base del gabinete superior con una sierra caladora.

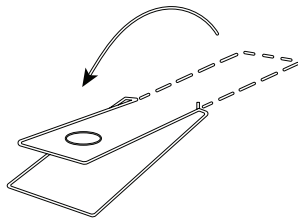


Marque la pared posterior

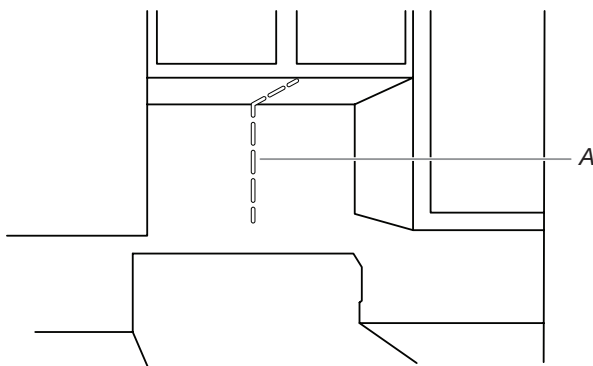
El horno de microondas deberá instalarse como mínimo sobre 1 viga de pared, preferentemente 2, usando como mínimo 1 tirafondo, preferentemente 2.

1. Pliegue 2 lengüetas de montaje hacia adelante en el corte de la lengüeta. Tenga en cuenta que las lengüetas NO deben quedar al ras después de plegarlas.

Pliegue hacia delante



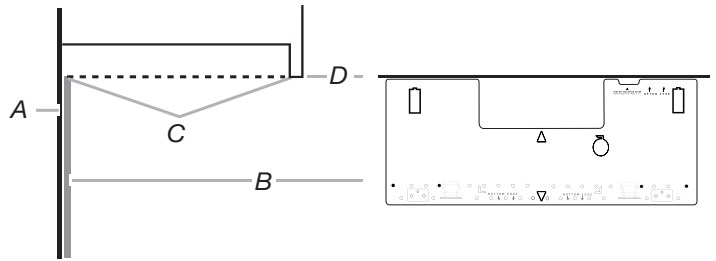
2. Marque la línea central en la pared posterior. Coloque la placa de montaje contra la pared posterior, y encuentre y marque la línea central vertical de la abertura.



A. Línea central

3. Asegúrese de alinear los marcadores centrales de la placa de montaje en la línea central de la pared. Asegúrese de que estén nivelados y de que la parte superior de la placa de montaje haga tope contra el borde inferior del gabinete superior.

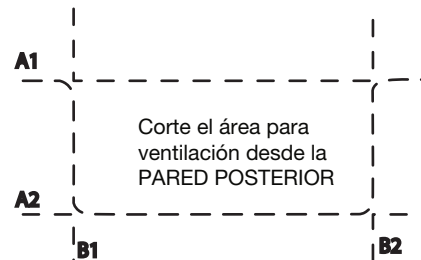
NOTA: Si el extremo frontal del gabinete superior está más bajo que el extremo posterior, baje la placa de montaje para que la parte superior quede nivelada con el extremo frontal del gabinete.



- A. Pared posterior
- B. Placa de montaje
- C. La parte superior de la placa de montaje debe alinearse con el borde frontal del gabinete
- D. Borde frontal del gabinete superior

Solamente para la instalación con ventilación en la pared

4. Si se ventila a través de la pared, coloque la placa de montaje en la pared y marque el área de corte. Coloque a un costado la placa de montaje y, a continuación, con una sierra caladora, corte el orificio en el área de ventilación posterior de la pared.



Taladre orificios en la pared posterior

Además de instalar la placa de montaje en al menos 1 viga de pared, se la debe sujetar a la pared en ambos orificios de extremo. Si los orificios de extremo no están sobre vigas de pared, use dos pernos de cabeza redonda de 3/16-24 x 3" (7,6 cm) con tuercas de palanca; si 1 orificio de extremo está sobre una viga de pared, use 1 tirafondo y 1 perno de cabeza redonda de 3/16-24 x 3" (7,6 cm) con una tuerca de palanca; o si ambos orificios de extremo se encuentran sobre vigas de pared, use 2 tirafondos. A continuación se incluyen 3 configuraciones de instalación.

Instalación sin vigas de pared en los orificios de extremo (figuras 1 y 2)

1. Taladre orificios de 5/8" (1,6 cm) a través de la pared en los dos orificios de extremo que se marcaron en el paso 3 de "Marque la pared posterior".
2. Taladre orificios de 3/16" (5 mm) en las vigas de pared en los orificios que se marcaron en el paso 6 de "Marque la pared posterior". Consulte las figuras 1 y 2 en "Posibles configuraciones de las vigas de pared" de la sección "Ubique las vigas de pared".

Instalación para una viga de pared en un orificio de extremo (figura 3)

1. Taladre un orificio de 3/16" (5 mm) a través de la viga de pared en el orificio de extremo que se marcó en el paso 3 de "Marque la pared posterior".
2. Si instala en una segunda viga de pared, taladre un orificio de 3/16" (5 mm) en la viga de pared en el otro orificio marcado en el Paso 6 de "Marque la pared posterior". Consulte la figura 3 en "Posibles configuraciones de las vigas de pared" de la sección "Ubique las vigas de pared".
3. Taladre un orificio de 5/8" (1,6 cm) a través de la pared en el otro orificio de extremo.

Instalación para vigas de pared en ambos orificios de extremo (figura 4)

1. Taladre un orificio de 3/16" (5 mm) través de la viga de pared en el orificio de extremo que se marcó en el paso 3 de "Marque la pared posterior".

Fije la placa de montaje a la pared

NOTA: Asegure la placa de montaje a la pared en ambos orificios de extremo perforados en las vigas de pared y/o en la mampostería con pernos de cabeza redonda de 3/16-24 x 3" (7,6 cm) y tuercas de palanca o con tirafondos de 1/4 x 2" (0,6 cm x 5,1 cm).

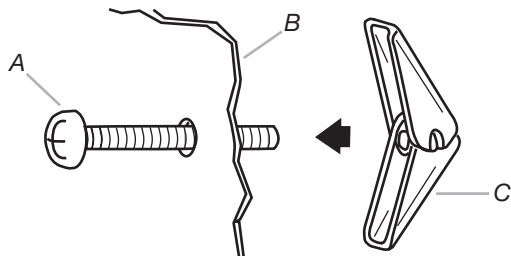
Consulte las ilustraciones de "Posibles configuraciones de las vigas de pared" en la sección "Ubique las vigas de pared".

Para una instalación rápida de ventilación por la pared o en el techo, consulte la guía de referencia rápida en la placa de montaje.

Sin vigas de pared en los orificios de extremo (figuras 1 y 2)

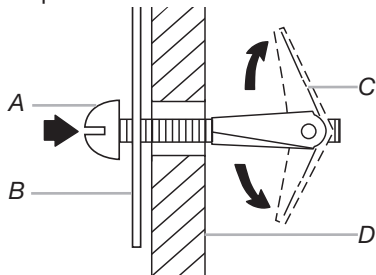
NOTA: la placa de montaje se debe asegurar a la pared en al menos 1 viga de pared y también en ambos extremos.

1. Con las lengüetas de soporte de la placa de montaje mirando hacia adelante, inserte pernos de cabeza redonda de 3/16-24 x 3" (7,6 cm) a través de ambos orificios de extremo de la placa de montaje.
2. Coloque tuercas de palanca en los pernos de la parte posterior de la placa de montaje. Deje suficiente espacio para que las tuercas de palanca atraviesen la pared y se abran.



A. Pernos de cabeza redonda de 3/16 - 24 x 3" (7,6 cm)
B. Placa de montaje
C. Tuerca de palanca con resorte

3. Coloque la placa de montaje en la pared.
4. Empuje los 2 pernos con las tuercas de palanca a través de la mampostería y apriete manualmente los pernos para asegurarse de que las tuercas de palanca se hayan abierto contra la mampostería.



A. Pernos de cabeza redonda de 3/16 - 24 x 3" (7,6 cm)
B. Placa de montaje
C. Tuerca de palanca con resorte
D. Mampostería

5. Inserte los tirafondos en los orificios taladrados en las vigas de pared en el paso 2 de "Instalación sin vigas de pared en los orificios de extremo" en la sección "Taladre orificios en la pared posterior".
6. Controle la alineación de la placa de montaje y asegúrese de que esté nivelada.
7. Apriete bien todos los tirafondos y pernos.

Viga de pared en un orificio de extremo (figura 3)

1. Con las lengüetas de soporte de la placa de montaje mirando hacia adelante, inserte un perno de cabeza redonda de 3/16-24 x 3" (7,6 cm) a través del orificio de extremo que encaje en el orificio de 5/8" (1,6 cm) taladrado en el paso 3 de "Instalación para una viga de pared en un orificio de extremo" en la sección "Taladre orificios en la pared posterior".
2. Coloque una tuerca de palanca en el perno de la parte posterior de la placa de montaje. Deje suficiente espacio para que las tuercas de palanca puedan atravesar la pared y abrirse.
3. Coloque la placa de montaje en la pared.
4. Empuje el perno con la tuerca de palanca a través de la mampostería y apriete manualmente el perno para asegurarse que la tuerca de palanca se haya abierto contra la mampostería.
5. Inserte un tirafondo en el orificio de extremo restante.
6. Si se hace la instalación en una segunda viga de pared, inserte un tirafondo en el otro orificio taladrado en el paso 2 de "Instalación para una viga de pared en un orificio de extremo" en la sección "Taladre orificios en la pared posterior". Controle la alineación de la placa de montaje y asegúrese de que esté nivelada.
7. Ajuste con firmeza los tirafondos y el perno.

Vigas de pared en ambos orificios de extremo (figura 4)

1. Coloque la placa de montaje en la pared.
2. Inserte los tirafondos en ambos orificios de extremo.
3. Controle la alineación de la placa de montaje y asegúrese de que esté nivelada.
4. Apriete firmemente los tirafondos.

Instalación del horno de microondas

⚠ ADVERTENCIA

Peligro de Peso Excesivo

Use dos o más personas para mover e instalar el horno de microondas.

No seguir esta instrucción puede ocasionar una lesión en la espalda u otro tipo de lesiones.

IMPORTANTE: El lado de los controles del horno de microondas es el lado pesado. Manipule el horno de microondas con delicadeza.

1. Coloque una arandela en cada perno de cabeza plana de 1/4-20 x 3" (7,6 cm) y ubíquelos dentro del gabinete superior cerca de los orificios de 3/8" (9,5 mm).
2. Asegúrese de que la puerta del horno de microondas esté cerrada y fijada con cinta adhesiva.



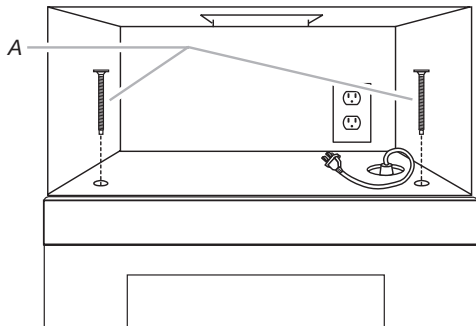
3. Con la ayuda de 2 o más personas, levante el horno de microondas y cuélguelo de las lengüetas de soporte en la parte inferior de la placa de montaje.

NOTA: para evitar daños al horno de microondas, no aferre ni use la puerta ni la manija de la puerta mientras manipula el horno de microondas.

4. Con el frente del horno de microondas todavía inclinado, pase el cable de suministro eléctrico a través del orificio del cable de suministro eléctrico en el fondo del gabinete superior.
 5. Rote el horno de microondas para arriba hacia el gabinete superior.
- NOTA:** Si la ventilación será a través de la pared, asegúrese de que el ensamblaje de la compuerta de tiro encaje con facilidad dentro de la ventilación del recorte de la pared.
6. Empuje el horno de microondas contra la placa de montaje y sosténgalo en su lugar.
- NOTA:** si no se necesita ajustar el horno de microondas, omita los pasos 7 a 9.
7. Si es necesario ajustarlo, rótelo hacia abajo. Con la ayuda de 2 o más personas, levante el horno de microondas fuera de la placa de montaje y déjelo a un costado sobre una superficie protegida.
 8. Afloje los tornillos de la placa de montaje. Ajuste la placa de montaje y vuelva a ajustar los tornillos.
 9. Repita los pasos 3 a 6.
 10. Con el horno de microondas centrado y al menos una persona sosteniéndolo en su lugar, inserte los pernos a través del gabinete superior y dentro del horno de microondas. Apriete los pernos hasta que no haya ningún espacio entre el gabinete superior y el horno de microondas.

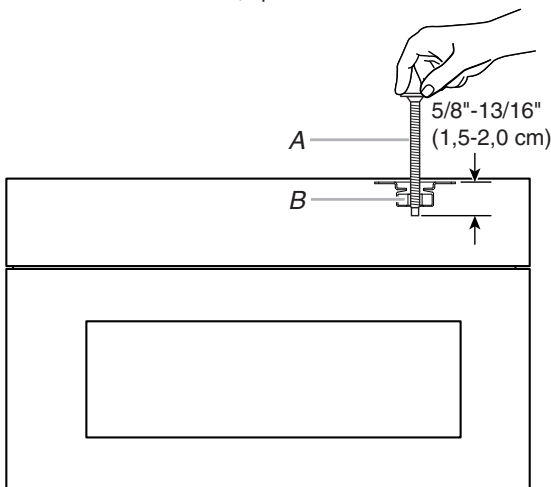
NOTAS:

- Algunos gabinetes superiores pueden necesitar pernos más largos o más cortos que 3" (7,6 cm). Los pernos más largos o más cortos están disponibles en la mayoría de las ferreterías.
- El apriete excesivo de los pernos puede deformar la parte superior del horno de microondas. Para evitar deformaciones, pueden agregarse bloques de madera de relleno (deben ser provistos por el instalador). Los bloques deben tener el mismo espesor que el espacio entre la base del gabinete superior y el horno de microondas.



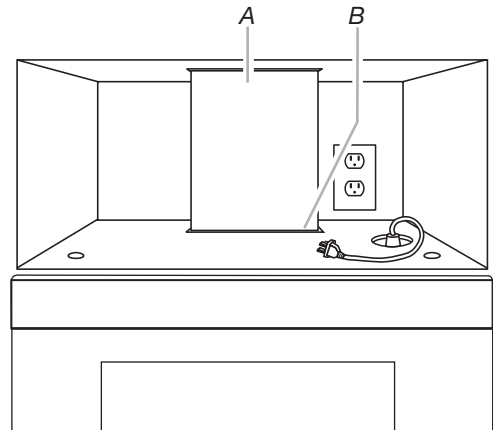
A. Pernos

NOTA: Evite dañar la tuerca de montaje, apriete los pernos en los orificios de la tuerca de montaje aproximadamente 5/8"-13/16" (1,5-2,0 cm) a mano en primera instancia, y asegúrese de que los pernos se enrosquen adecuadamente. A continuación, apriételos con herramientas.



A. Perno
B. Tuerca de montaje

11. Conecte el ducto de escape al ensamblaje de la compuerta de tiro.



A. Ventilación
B. Conjunto de la compuerta de tiro (debajo del ducto de ventilación) Compacto

Finalización de la instalación

1. Instale los filtros. Consulte las Instrucciones del usuario para conocer la ubicación de los filtros.

⚠ ADVERTENCIA



Peligro de Choque Eléctrico

Conecte a un contacto de pared de conexión a tierra de 3 terminales.

No quite la terminal de conexión a tierra.

No use un adaptador.

No use un cable eléctrico de extensión.

No seguir estas instrucciones puede ocasionar la muerte, incendio o choque eléctrico.

2. Enchufe el horno de microondas a un tomacorriente de pared de 3 terminales con conexión a tierra.
3. Reconecte el suministro eléctrico.
4. Para verificar el funcionamiento del horno de microondas, coloque 1 taza (250 ml) de agua en la bandeja giratoria y programe un tiempo de cocción de 1 minuto al 100 % de potencia. Para probar el ventilador y el escape, haga funcionar el ventilador.
5. Si el horno de microondas no funciona:
 - Verifique que no se haya fundido un fusible o disparado un disyuntor de la casa. Reemplace el fusible o reposicione el disyuntor. Si el problema continúa, llame a un electricista.
 - Verifique que el cable del suministro eléctrico esté enchufado en un contacto de pared de 3 terminales con conexión a tierra.
 - Para obtener información sobre solución de problemas, vea las Instrucciones del usuario.

Se ha completado la instalación.

Conserve las Instrucciones de instalación para uso futuro.

ESPECIFICACIONES PARA EL DISEÑO DE LA VENTILACIÓN

Esta sección está destinada solamente para referencia del diseñador arquitectónico y el constructor/contratista.

NOTAS:

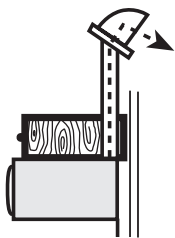
- Los materiales de ventilación necesarios para la instalación no se proveen con la combinación de microondas y campana.
- No recomendamos usar una ventilación de metal flexible.
- Para evitar posibles daños al producto, asegúrese de ventilar el aire hacia el exterior, a menos que se trate de una instalación con recirculación. No ventile el aire de escape en espacios ocultos, como espacios dentro de paredes o techos, desvanes, espacios angostos o garajes.

Para una instalación con ventilación óptima, recomendamos:

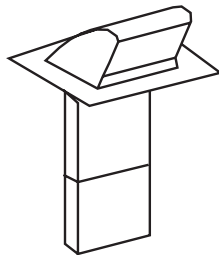
- Usar cubiertas de techo o de pared que tengan compuertas de tiro de contracorriente
- Usar un ducto de ventilación de metal rígido
- Usar la ruta más directa mediante la reducción al mínimo del largo del ducto de ventilación y el número de codos para proveer un rendimiento eficiente
- Usar ductos de ventilación de tamaño uniforme
- Usar cinta para ductos para sellar todas las juntas del sistema de ventilación
- Usar un compuesto de calafateo para sellar la abertura exterior de la pared o el techo alrededor de la cubierta
- Para un rendimiento óptimo de la campana, no instalar 2 codos juntos

Si va a tener la ventilación a través de la pared, cerciórese de que haya el espacio adecuado dentro de la pared para poder abrir completamente la compuerta de tiro.

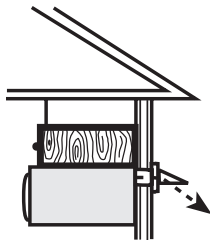
Si la ventilación se hará a través del techo y va a usar un tubo de transición rectangular a redondo, cerciórese de que haya un espacio de al menos 3" (7,6 cm) entre la parte superior del horno de microondas y el tubo de transición. Consulte la ilustración "Transición rectangular a redondo".



Ventilación en el techo



Cubierta para el techo



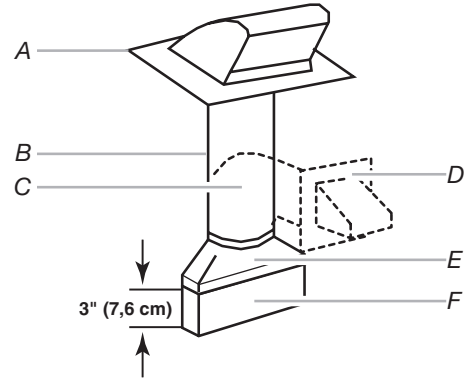
Ventilación en la pared



Cubierta para la pared

Transición rectangular a redondo

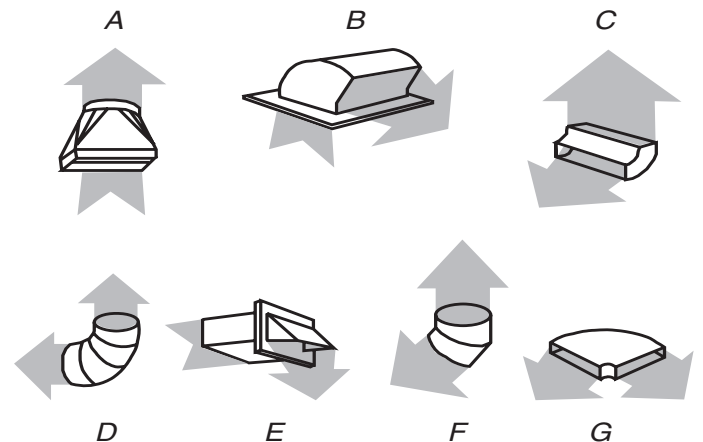
NOTA: Debe haber un espacio mínimo de 3" (7,6 cm) entre la parte superior del horno de microondas y el tubo de ajuste rectangular a redondo para poder abrir la compuerta de tiro libre y completamente.



- A. Cubierta para el techo
- B. Ducto de ventilación redondo de 6" (15,2 cm) de diámetro como mínimo
- C. Codo (solamente para la ventilación en la pared)
- D. Cubierta para la pared
- E. Tubo de transición rectangular a redondo de 3 1/4" x 10" a 6" (8,3 x 25,4 cm a 15,2 cm)
- F. Pieza para la extensión del ducto de ventilación, al menos 3" (7,6 cm) de altura

Accesorios estándar recomendados

Los largos equivalentes que siguen son para usar cuando se calcule el largo del ducto de ventilación. Consulte los ejemplos en "Largo recomendado del ducto de ventilación".



- A. Pieza de transición de rectangular a redondo: 3 1/4" x 10" a 6" = 5 pies (8,3 x 25,4 cm a 15,2 cm = 1,5 m)
- B. Cubierta para el techo 3 1/4" x 10" = 24 pies (8,3 x 25,4 cm = 7,3 m)
- C. Codo de 90° 3 1/4" x 10" = 25 pies (8,3 x 25,4 cm = 7,6 m)
- D. Codo de 90°: 6" = 10 pies (15,2 cm = 3 m)
- E. Cubierta para la pared: 3 1/4" x 10" = 40 pies (8,3 x 25,4 cm = 12,2 m)
- F. Codo de 45°: 6" = 5 pies (15,2 cm = 1,5 m)
- G. Codo plano de 90° 3 1/4" x 10" = 10 pies (8,3 x 25,4 cm = 3 m)

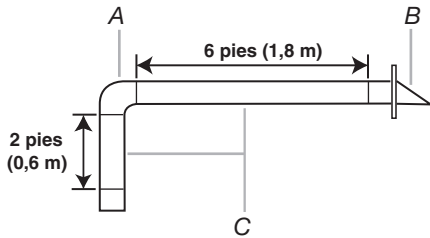
Largo recomendado del ducto de ventilación

Deberá usarse un ducto de ventilación rectangular de $3\frac{1}{4}'' \times 10''$ (8,3 x 25,4 cm) o uno redondo de 6" (15,2 cm).

El largo total del sistema de ventilación, incluido el ducto de ventilación recto, los codos, los tubos de transición y las cubiertas de la pared o del techo, no deberá exceder el equivalente a 140 pies (42,7 m) para cualquier tipo de ventilación. Vea la sección "Accesorios estándar recomendados" para los largos equivalentes.

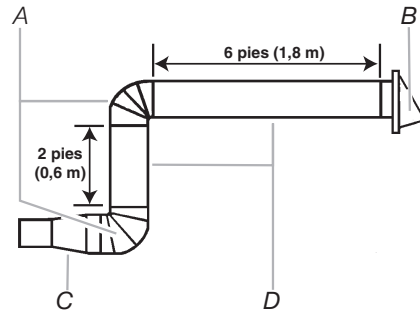
Para un rendimiento óptimo, no use más de tres codos de 90°. Para calcular el largo del sistema que va a necesitar, agregue el largo equivalente de cada pieza de ventilación que se usará en el sistema. Consulte los siguientes ejemplos.

Sistema de ventilación de $3\frac{1}{4}'' \times 10''$ (8,3 x 25,4 cm) = 73 pies (22,2 m) en total.



- A. Un codo de 90° de $3\frac{1}{4}'' \times 10''$ (8,3 x 25,4 cm) = 25 pies (7,6 m)
- B. 1 cubierta para la pared = 40 pies (12,2 m)
- C. 2 pies (0,6 m) + 6 pies (1,8 m) recto = 8 pies (2,4 m)

Sistema de ventilación de 6" (15,2 cm) = 73 pies (22,2 m) en total



- A. Dos codos de 90° = 20 pies (6,1 m)
- B. 1 cubierta para la pared = 40 pies (12,2 m)
- C. 1 tubo de transición rectangular a redondo = 5 pies (1,5 m)
- D. 2 pies (0,6 m) + 6 pies (1,8 m) recto = 8 pies (2,4 m)

Si el ducto de ventilación existente es redondo, deberá usarse un tubo de transición rectangular a redondo. También deberá instalarse un ducto de escape de extensión rectangular de 3" (7,6 cm) entre el conjunto de la compuerta de tiro y un tubo de ajuste rectangular a redondo para evitar que la compuerta de tiro se adhiera.

ASISTENCIA

Llame a su distribuidor o centro de servicio autorizado. Cuando llame, deberá tener a mano los números de modelo y de serie del horno de microondas. Los puede encontrar en la placa del número de modelo y de serie, que está en la puerta del horno de microondas en el marco frontal del horno.

Si necesita ayuda adicional, llámenos con el número de teléfono gratuito o visite nuestra página web mencionada en la Guía del usuario.

Piezas de repuesto

Si se debe reemplazar alguna de las piezas de instalación, llámenos con el número de teléfono gratuito, que se encuentra en la Guía del usuario.

A continuación se verá una lista de las piezas de repuesto disponibles. Deberá tener a mano el número de modelo, que está en la abertura frontal del horno de microondas, detrás de la puerta.

- Ensamblaje de la compuerta de tiro
- Placa de montaje
- Juego de tornillos de montaje (incluye las piezas de A a G mencionadas en “Piezas suministradas” en la sección “Herramientas y piezas”)

