

# Dual Fuel Range, 48", 4 Burners, 4 Induction Zones, Self-cleaning, LPG

Series 9 | Professional

Stainless Steel with Black Glass | LPG



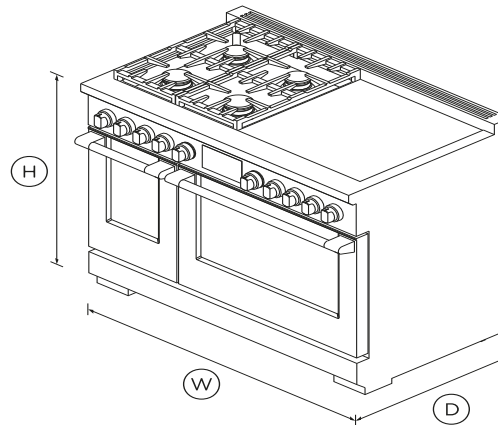
With both induction and gas cooktops and two convection ovens, you're ready to create a feast - guided by an intuitive touchscreen.

- Guided cooking using your touchscreen makes it simple to cook by food, function or recipe.
- Top burner heat of 19,000 BTU, for seriously fast boiling
- Four induction cooking zones, which can be paired to form two SmartZones

- 6.9 cu ft total oven capacity across two oven cavities

## DIMENSIONS

Height	35 <sup>3</sup> / <sub>4</sub> - 36 <sup>3</sup> / <sub>4</sub> "
Width	47 <sup>7</sup> / <sub>8</sub> "
Depth	29 <sup>1</sup> / <sub>8</sub> "



## FEATURES & BENEFITS

### Cook with confidence

Our touchscreen interface provides an intuitive guided cooking experience that helps deliver perfect results, whether you've been cooking all your life or just starting out. Cook with a favorite method, a hero ingredient, or a go-to cooking function or recipe. The screen tilts for improved ergonomics and optimal visibility while cooking.

## SPECIFICATIONS

### Accessories

Square handle option	AH-R48
----------------------	--------

### Capacity

Total capacity	6.9cu ft
----------------	----------

### Cleaning

- Dishwasher proof trivets
- Pyrolytic self-clean

### Controls

- High resolution display
- Metal illuminated dials
- Sabbath mode

### Gas requirements

Fitting and pipe	½ NPT, min. &frac58;" Ø flex
Supply Pressure (LPG)	11" to 14" W.C

### Main oven features

- Bake
- Clean
- Convection Bake
- Convection Broil
- Large broil pan
- Main oven- Self cleaning
- Main oven- True convection

Number of main oven functions **15**

Supply voltage **120 - 240V**

Right front zone rating **2100W/3700W**

Right rear zone rating **2100W/3700W**

Total cooktop power **58000BTU**

**Oven features**

- Concealed element •
- Electronic oven control •
- Full extension telescopic **2**
- Internal light •
- Pyrolytic self-clean •
- True Convection •

**Product dimensions**

- Depth **29 1/8 "**
- Depth (Excluding handles) **29 1/8 "**
- Height **35 3/4 - 36 3/4 "**
- Height (excluding vent trim) **35 3/4 - 36 3/4 "**
- Width **47 7/8 "**

**Safety**

- Pan detection system •
- Safety time out •
- Surface hot indicators •

**Oven functions**

- Pyrolytic self-clean •

**Rangetop features**

- Gentle heat **3 settings (111°F, 158°F, 201°F)**
- Heat settings **9**
- Induction cooking technology •
- PowerBoost all zones **up to 3700W**
- Sealed Dual Flow Burners™ **4**
- Simmer on all burners **140°F**
- SmartZone **2**
- Vent trim included **Flat vent trim**
- Zone bridging •

**Secondary Oven features**

- Bake •
- Convection Bake •
- Convection Broil •
- Secondary oven functions **11**

**Oven performance**

- Main Oven Shelf Positions **5**
- Main Oven Total Capacity **4.8cu ft**
- Main Oven Usable Capacity **3.8cu ft**
- Main oven- Bake **4600W**
- Main oven- Broil **4000W**
- Main oven- True convection **2500W**
- Secondary Oven- Bake **2450W**
- Secondary Oven- Broil **3600W**
- Secondary Oven- Capacity **2.1cu ft**
- Secondary Oven- Capacity **1.8cu ft**
- Secondary Oven- Shelf **5**

**Rangetop Performance**

- Left front zone rating **2100W/3700W**
- Left rear zone rating **2100W/3700W**
- Max burner power **19000BTU**
- Power back left **13000BTU**
- Power back right **13000BTU**
- Power front left **19000BTU**
- Power front right **13000BTU**
- PowerBoost •
- PowerBoost all zones **up to 3700W**

**Warranty**

Parts and labor **Limited 2 Years Parts & Labor**

SKU **81891**

The product dimensions and specifications in this page apply to the specific product and model. Under our policy of continuous improvement, these dimensions and specifications may change at any time. You should therefore check with Fisher & Paykel's Customer Care Centre to ensure this page correctly describes the model currently available. © Fisher & Paykel Appliances Ltd 2019.

**Power requirements**

- Electric circuit **4 wire**
- Rated current **50A**
- Supply frequency **60Hz**



**A PEACE OF MIND SALE**

24 Hours 7 Days a Week Customer Support

T 1300 650 590 W [www.fisherpaykel.com](http://www.fisherpaykel.com)