

# COUNTER DEPTH (RFM-36)

36 in. Counter-Depth French Door Refrigerator with Ice Maker

**ZLINE**  
ATTAINABLE LUXURY®

**RFM-36**  
Stainless Steel

**RFM-36-BS**  
Black Stainless Steel



## GENERAL PROPERTIES

|                    |                            |
|--------------------|----------------------------|
| SKU                | RFM-36, RFM-36-BS          |
| Modes              | Vacation, Sabbath, and Eco |
| Refrigerant        | R600A                      |
| Total Capacity     | 22.5 cu. ft.               |
| Category           | Counter Depth              |
| Interior Finish    | White                      |
| Celsius/Fahrenheit | Yes                        |

## DIMENSIONS AND WEIGHT

|                    |                                     |
|--------------------|-------------------------------------|
| Product Dimensions | 35 3/4" W x 29 1/8" D x 69 11/16" H |
| Cutout Dimensions  | 36 1/4" W x 24" D x 71 11/16" H     |
| Product Weight     | 284.4 lb (129 kg)                   |

## CERTIFICATIONS

|   |     |
|---|-----|
| ETL Listed-Safety and Energy Efficiency | Yes |
| Energy Star Compliant                   | Yes |

## REFRIGERATOR FEATURES

|                          |                |
|--------------------------|----------------|
| Door Alarm               | Yes            |
| Door Bins                | 6              |
| Door Style               | French Doors   |
| Number of Fridge Shelves | 4              |
| Temperature              | 34 °F to 44 °F |
| Capacity                 | 15.9 cu. ft.   |

\*Additional Assembly Required: This refrigerator and its door handles will ship in multiple boxes, requiring assembly upon installation.

## FEATURES AND BENEFITS

**Counter Depth Design:** A professional counter-depth refrigerator designed to be flush with your countertops.

**Dual Crisper Drawers:** Enjoy freshness for fruits and vegetables with a pair of half-width humidity-controlled crisper drawers.

**Full-Width Pantry Drawer:** This pantry drawer provides additional space for deli meats, cheeses, and other food items.

**Dual Cooling:** Separate refrigerator and freezer cooling systems ensure air and odors are not mixed between compartments and provide fast and efficient cooling.

**Spill-Resistant Glass Shelves:** Comfortably organize items in the fridge on 4 spill-resistant adjustable glass shelves, 1 of which can fold for convenient flexibility.

**Dual Freezer Compartments:** Store frozen items of multiple sizes and shapes inside two separate freezer compartments, each equipped with full-extension drawers.

**Adjustable Temperatures:** Create the perfect cooling environment with fridge temperatures ranging from 34 °F to 44 °F and freezer temperatures ranging from -7 °F to 7 °F.

**Built-in Ice Maker:** Easily access the automatic ice maker in the freezer, which stores up to 1.75 pounds of ice and creates up to 4.85 pounds of ice daily.

**Super Cool and Super Freeze Modes:** Quickly chill food with unique functions that automatically set the fridge temperature to 34 °F and freezer to -7 °F.

## FREEZER FEATURES

|                     |                 |
|---------------------|-----------------|
| Freezer Door Style  | Pull-Out Drawer |
| Freezer Drawer Bins | 2               |
| Temperature         | -7 °F to 7 °F   |
| Capacity            | 6.6 cu. ft.     |

## ICE MAKER AND WATER SYSTEM

|                    |                        |
|--------------------|------------------------|
| Ice Amount         | 4.85 lb (2.1 kg) daily |
| Ice Maker Type     | Single Ice Maker       |
| Ice Tray Storage   | 1.75 lb (0.79 kg)      |
| Ice Maker Location | Freezer                |

## ELECTRICAL REQUIREMENTS

|                         |  |
|-------------------------|--|
| Electrical Requirements | 120 V / 60 Hz / 15 A Dedicated Circuit |
| Energy Consumption      | 588 kWh / Year                         |
| Rated Current           | 3 A                                    |

## LIMITED WARRANTY

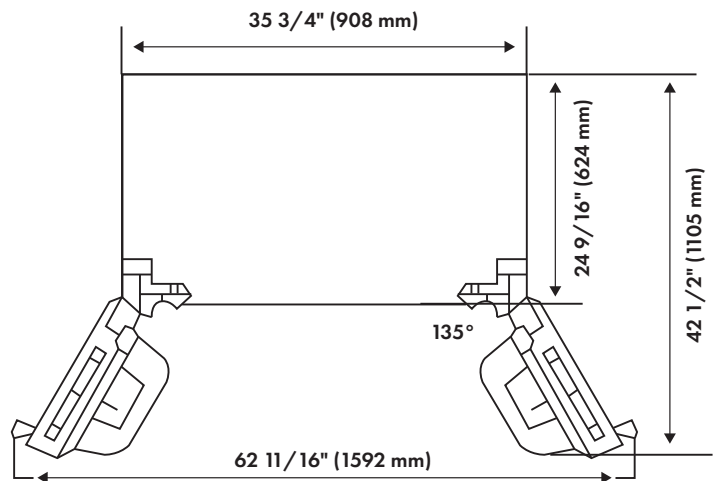
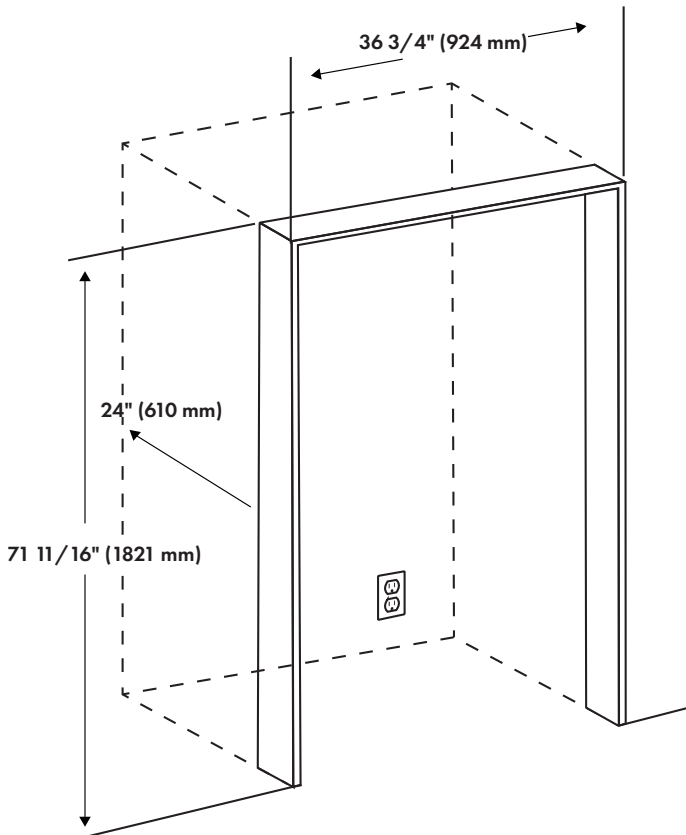
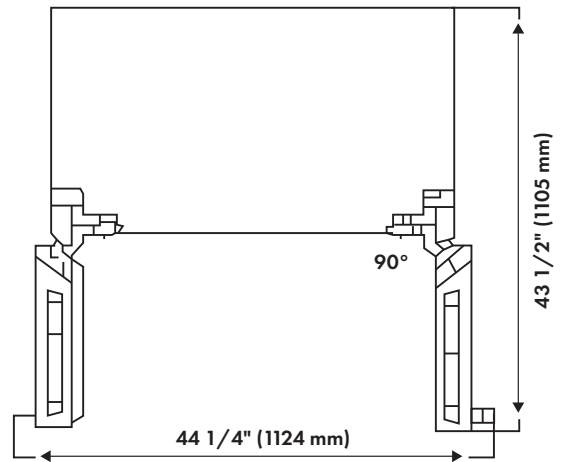
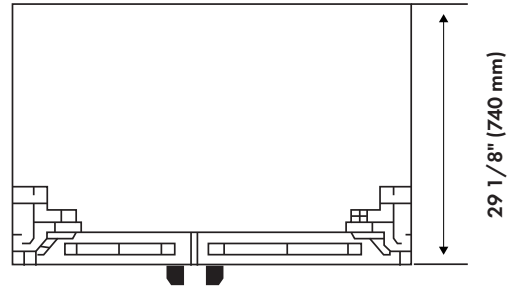
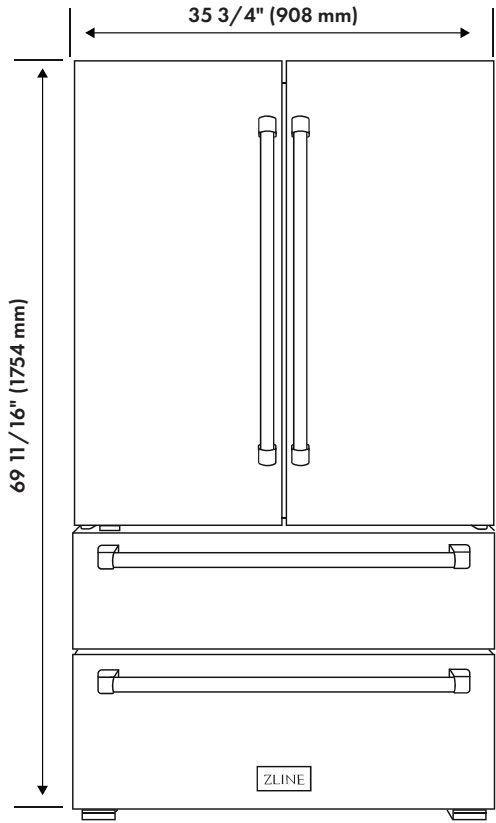
Manufacturing Warranty: **1-year parts and labor, 5 years sealed system parts only.**

\*Appliance protection plans are sold separately, contact us for more information at 1-614-777-5004

# COUNTER DEPTH (RFM-36)

36 in. Counter-Depth French Door Refrigerator with Ice Maker

**ZLINE**  
ATTAINABLE LUXURY®



## INSTALLATION RESOURCES

Installation / User Manual

[Click Here](#)

# AUTOGRAPH EDITION

*Andrew Juro*

Stainless Steel With Traditional Champagne Bronze Handles



### STAINLESS STEEL TRADITIONAL HANDLE

|                  |            |
|------------------|------------|
| Polished Gold    | RFMZ-36-G  |
| Champagne Bronze | RFMZ-36-CB |
| Matte Black      | RFMZ-36-MB |

Stainless Steel With Modern Matte Black Handles



### STAINLESS STEEL MODERN HANDLE

|                  |             |
|------------------|-------------|
| Polished Gold    | RFMZ-36-FG  |
| Champagne Bronze | RFMZ-36-FCB |
| Matte Black      | RFMZ-36-FMB |

Black Stainless Steel With Traditional Champagne Bronze Handles



### BLACK STAINLESS STEEL TRADITIONAL HANDLE

|                  |               |
|------------------|---------------|
| Polished Gold    | RFMZ-36-BS-G  |
| Champagne Bronze | RFMZ-36-BS-CB |

Black Stainless Steel With Modern Champagne Bronze Handles



### BLACK STAINLESS STEEL MODERN HANDLE

|                  |                |
|------------------|----------------|
| Polished Gold    | RFMZ-36-BS-FG  |
| Champagne Bronze | RFMZ-36-BS-FCB |

## HELIX AUTOGRAPH EDITION

Stainless Steel With Polished Nickel Handles



### STAINLESS STEEL

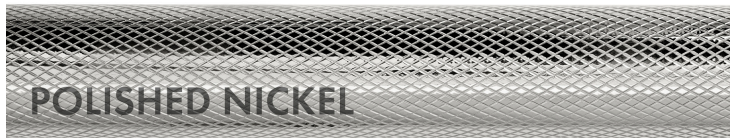
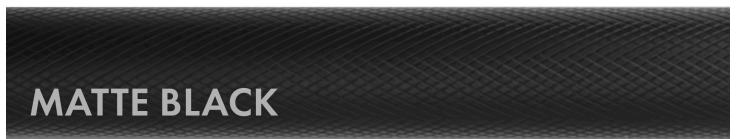
|                  |             |
|------------------|-------------|
| Polished Gold    | RFMZ-36-KG  |
| Champagne Bronze | RFMZ-36-KCB |
| Polished Nickel  | RFMZ-36-KPN |

Black Stainless Steel With Polished Gold Handles



### BLACK STAINLESS STEEL

|                  |                |
|------------------|----------------|
| Polished Gold    | RFMZ-36-BS-KG  |
| Champagne Bronze | RFMZ-36-BS-KCB |

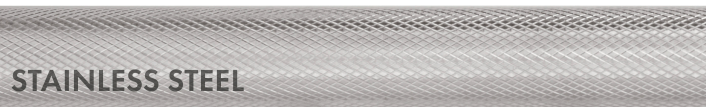


## STANDARD HELIX HANDLE SET (SET OF 4)

|                                    |               |
|------------------------------------|---------------|
| Black Stainless Steel Helix Handle | RFMHZ-36-K-BS |
| Stainless Steel Helix Handle       | RFMHZ-36-K-ST |

## AUTOGRAPH HELIX HANDLE (SET OF 4)

|                               |               |
|-------------------------------|---------------|
| Polished Gold Helix Handle    | RFMHZ-36-K-G  |
| Champagne Bronze Helix Handle | RFMHZ-36-K-CB |
| Matte Black Helix Handle      | RFMHZ-36-K-MB |
| Polished Nickel Helix Handle  | RFMHZ-36-K-PN |



# COUNTER DEPTH (RFM-36)

36 in. Counter-Depth French Door Refrigerator with Ice Maker

**ZLINE**  
ATTAINABLE LUXURY®

## AUTOGRAPH HANDLES (SET OF 4)

### TRADITIONAL HANDLE

|                  |             |
|------------------|-------------|
| Polished Gold    | RFMHZ-36-G  |
| Champagne Bronze | RFMHZ-36-CB |
| Matte Black      | RFMHZ-36-MB |



### MODERN HANDLE

|                  |               |
|------------------|---------------|
| Polished Gold    | RFMHZ-F-36-G  |
| Champagne Bronze | RFMHZ-F-36-CB |
| Matte Black      | RFMHZ-F-36-MB |



## AUTOGRAPH ACCENT COLORS



## BASE FINISHES



## CONTACT INFORMATION



### PHONE

#### Customer Service

1-614-777-5004

#### Dealer Assistance

1-833-597-2461



### HOURS OF OPERATION

#### Customer Service

Monday–Friday 6:00am–4:30pm CST

#### Dealer Assistance

Monday–Friday 7:00am–4:00pm CST



### EMAIL

#### Customer Service

[contact@zlinekitchen.com](mailto:contact@zlinekitchen.com)

#### Dealer Assistance

[dealer@zlinekitchen.com](mailto:dealer@zlinekitchen.com)