

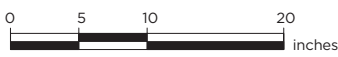
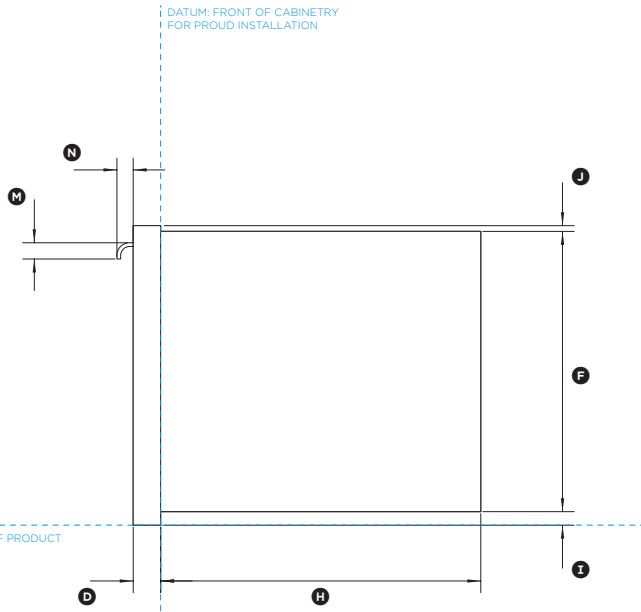
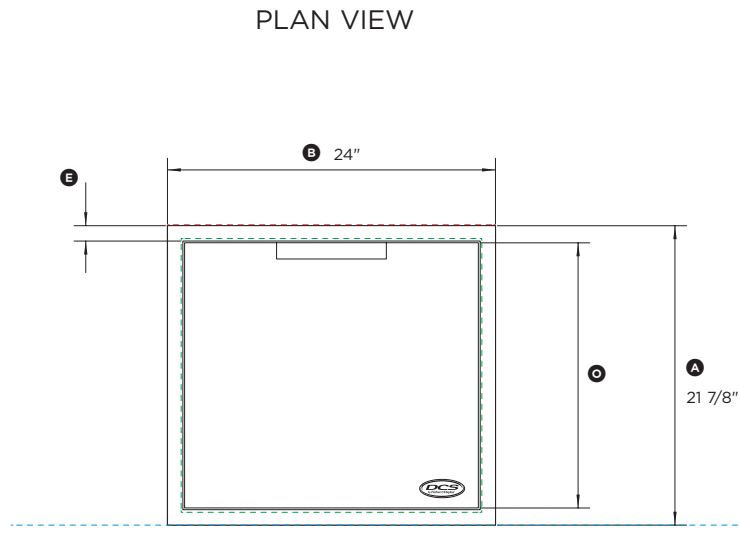
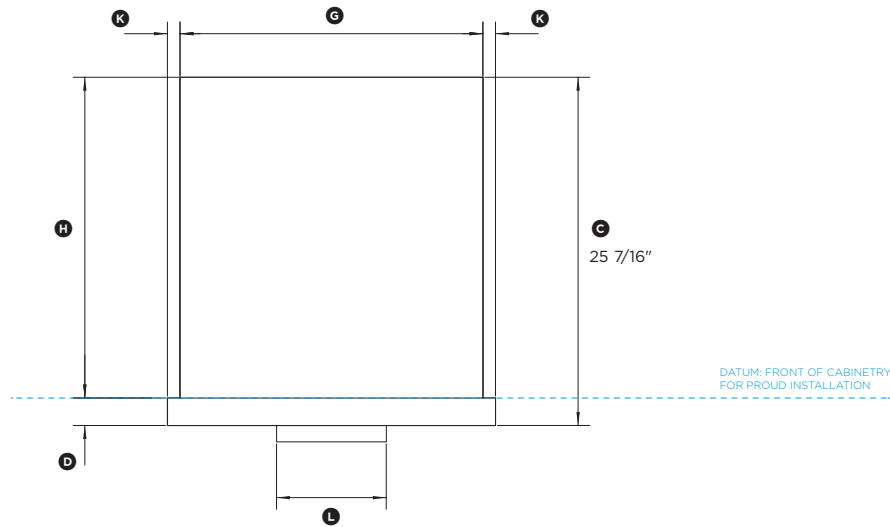
Data sheet

24" Access Drawer

Model no:

ADR24

(refer page 2 for metric measurements)



| Product Dimensions | in |
|------------------------------------------------|-----------|
| Ⓐ Overall height of product | 21 7/8" |
| Ⓑ Overall width of product | 24" |
| Ⓒ Overall depth of product (excluding handles) | 25 7/16" |
| Ⓓ Depth of front frame | 2" |
| Ⓔ Width of front frame | 1 1/8" |
| Ⓕ Height of chassis | 19 15/16" |
| Ⓖ Width of chassis | 22" |
| Ⓖ Depth of chassis | 23 7/16" |
| Ⓗ Height of bottom flange | 1" |
| Ⓗ Height of top flange | 7/16" |
| Ⓖ Width of side flanges | 15/16" |
| Ⓗ Width of handle | 8" |
| Ⓖ Height of handle | 1 3/16" |
| Ⓖ Depth of handle | 1 3/16" |
| Ⓖ Height of drawer front | 19 3/8" |

| Cutout Dimensions | in |
|--------------------------|-----|
| Overall width of cutout | 22" |
| Overall height of cutout | 20" |

IMPORTANT NOTE: This datasheet shows only the proud installation option. For full installation and clearance details please refer to our installation manual.

INDICATES CABINERY / PRODUCT DATUM -----
 INDICATES CUTOUT -----

DATE: 31.08.2015

IMPORTANT NOTE: Throughout this guide, dimensions may vary by ±2mm (3/32"). Please read the installation manual for detailed information on installing the product. www.dcsappliances.com



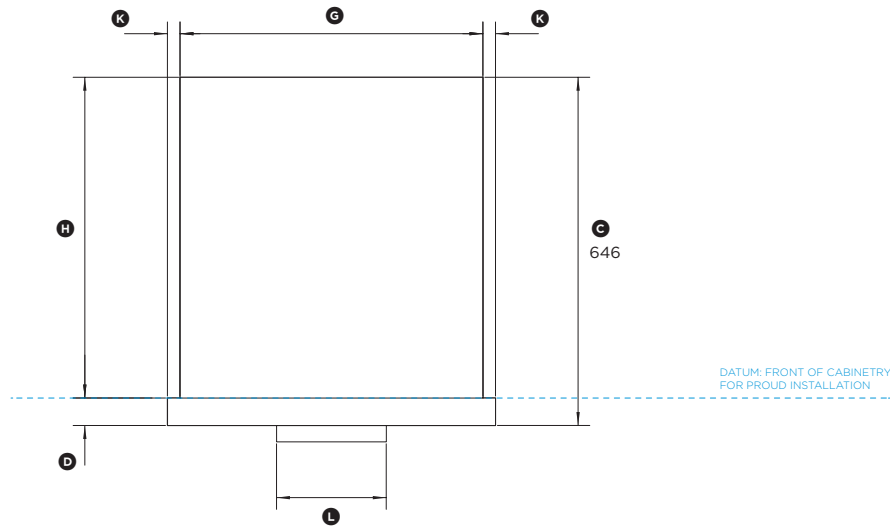
Data sheet

24" Access Drawer

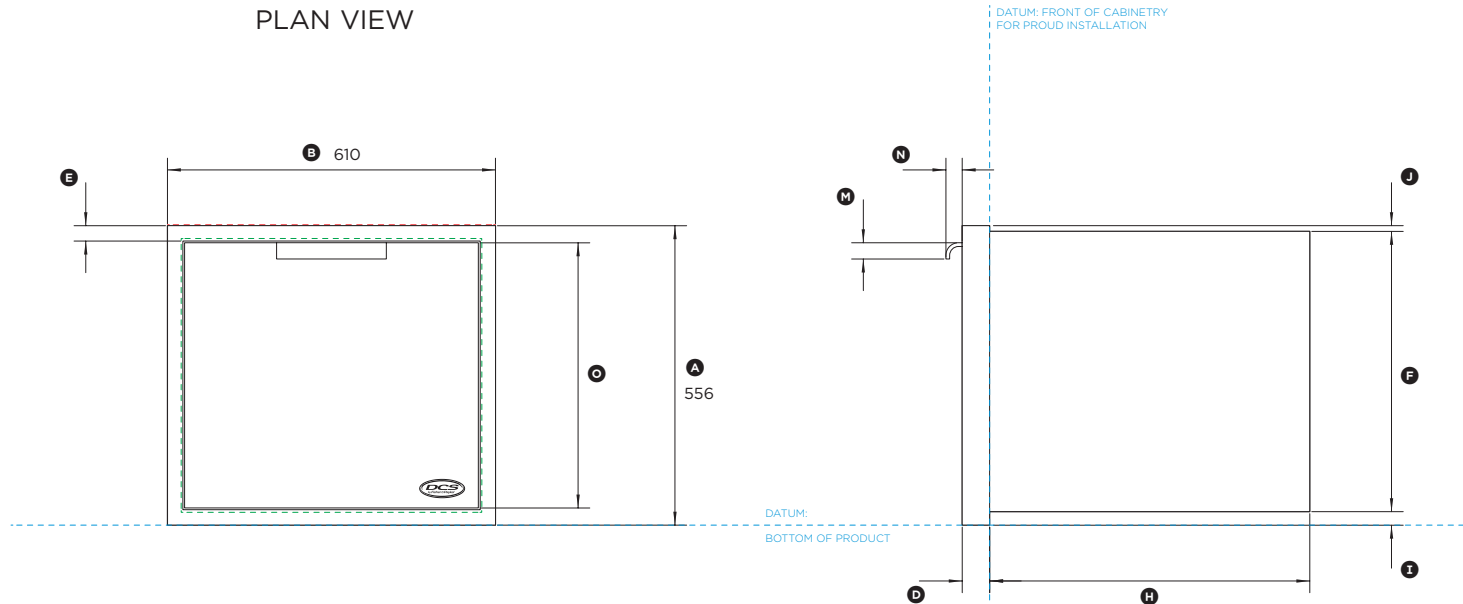
Model no:

ADR24

(refer page 1 for imperial measurements)



PLAN VIEW



FRONT VIEW

PROFILE VIEW



| Product Dimensions | mm |
|------------------------------------------------|-----|
| Ⓐ Overall height of product | 556 |
| Ⓑ Overall width of product | 610 |
| Ⓒ Overall depth of product (excluding handles) | 646 |
| Ⓓ Depth of front frame | 51 |
| Ⓔ Width of front frame | 28 |
| Ⓕ Height of chassis | 507 |
| Ⓖ Width of chassis | 559 |
| Ⓖ Depth of chassis | 595 |
| Ⓗ Height of bottom flange | 25 |
| Ⓗ Height of top flange | 11 |
| Ⓘ Width of side flanges | 23 |
| Ⓛ Width of handle | 204 |
| Ⓜ Height of handle | 30 |
| Ⓝ Depth of handle | 30 |
| Ⓞ Height of drawer front | 492 |

| Cutout Dimensions | mm |
|--------------------------|-----|
| Overall width of cutout | 559 |
| Overall height of cutout | 508 |

IMPORTANT NOTE: This datasheet shows only the proud installation option. For full installation and clearance details please refer to our installation manual.

INDICATES CABINETY / PRODUCT DATUM -----
INDICATES CUTOUT -----

DATE: 31.08.2015

IMPORTANT NOTE: Throughout this guide, dimensions may vary by ±2mm (3/32"). Please read the installation manual for detailed information on installing the product. www.dcsappliances.com

