





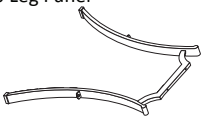
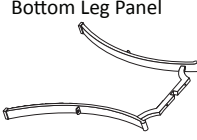
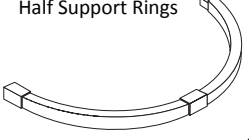


Examine all packaging material for small parts that may have come loose during shipment. Periodic checks are recommended to insure that all components are in proper position, tight and free from damage. Keep this assembly instruction for future reference. Adult assembly is required. The product of Hillsdale Furniture, LLC is designed for residential use only. Customer Service Phone Number: 502-562-0000 HDFBP

CODE	QTY	HARDWARE	
1	4	1/4" x 1-1/2" Allen Bolts	
2	4	1/4" x 5/8" Allen Bolts	
3	8	(8) $\Phi 13 \times \Phi 6.2 \times 1\text{mm}$ (1/4") Flat Washers	
4	8	(8) $\Phi 9 \times \Phi 7 \times 1\text{mm}$ (1/4") Spring Washers	
5	1	1/4" Allen Wrench	

CODE	QTY	COMPONENTS	CODE	QTY	COMPONENTS
A	1	Seat 	B	1	Top Leg Panel 
C	1	Bottom Leg Panel 	D	2	Half Support Rings 

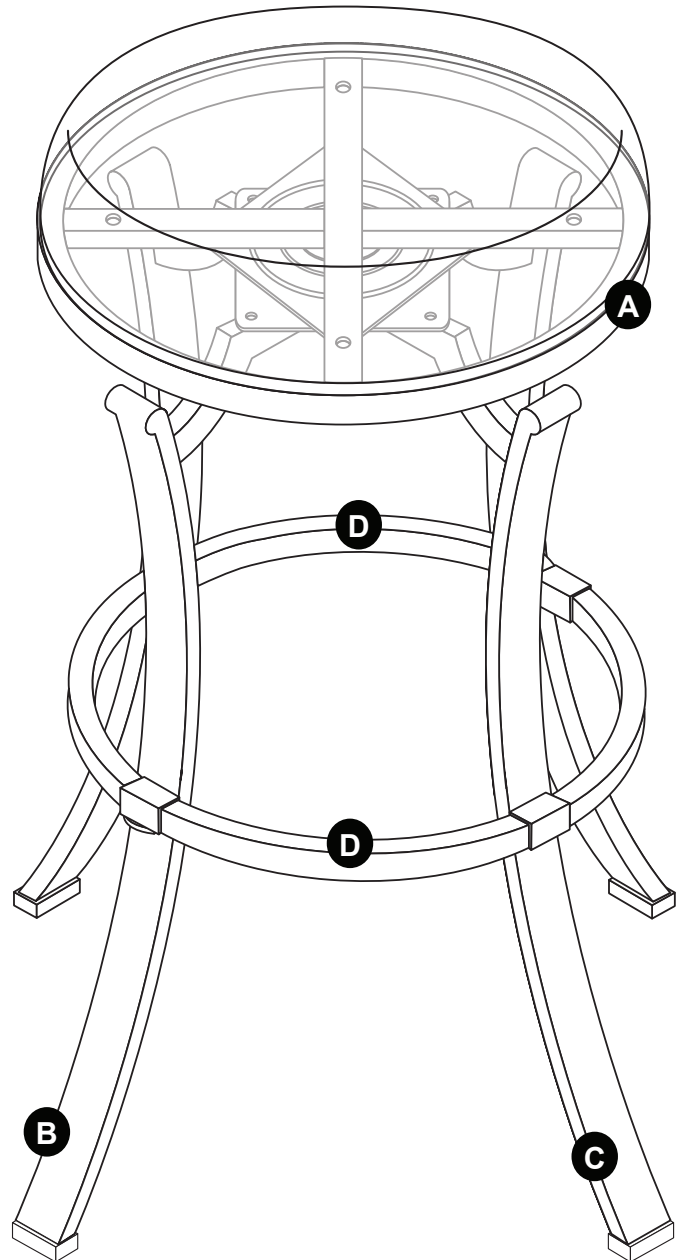
## ⚠ WARNING

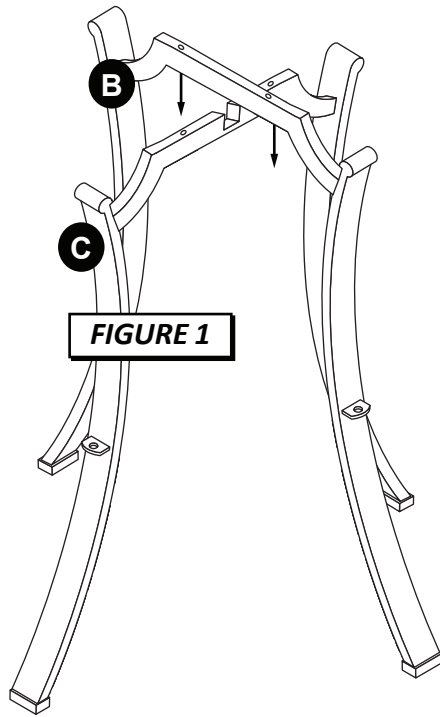
**Read these instructions thoroughly before assembling and using. Failure to do so may result in faulty assembly and potential injury!**

- Place the parts and assemble on a flat, non-abrasive and soft surface such as a carpet or cardboard to avoid damaging the item. Seek assistance to assemble bulky or heavy items. After final alignment, make sure all bolts and nuts are securely tightened with screw head covers pressed in place.
- Do not fully tighten the bolts until assembly is completed and alignment is correct.
- Do not crawl or stand on the product.
- Do not set or lay heavy items on the product.
- Do not place hot items on the product.
- Periodic checks are recommended to make sure that all hardware is securely tightened and stable for designed use.

## Care and Maintenance

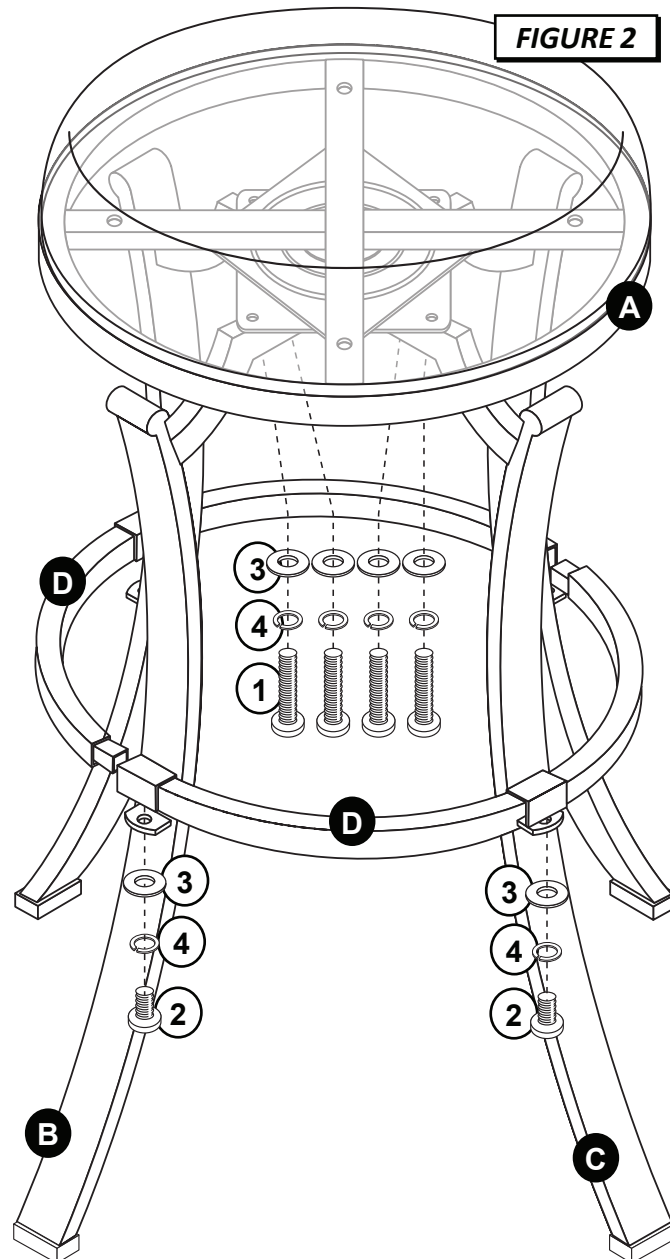
Store furniture in an upright position. Be careful to never allow water to build up in frames as this will cause corrosion and freeze damage in cold climates. Wash all frames with a solution of mild soap and water. Rinse with clean water and dry with a soft absorbent cloth towel. If your set includes cushions, they may be cleaned by hand with a solution of soap and water and then rinsed with clean water. Never machine wash or dry cushions. Do not use bleach or solvents to clean any product! Periodic checks are recommended to make sure that all hardware is securely tightened and stable for designed use. It is recommended to store or cover furniture when not in use to extend the life of the product. A failure to properly follow assembly instructions and care and maintenance will void the warranty.





**STEP 1 - Figure 1**

Begin assembly by crossing the Top Leg Panel (B) over the Bottom Leg Panel (C).



**STEP 2 - Figure 2**

Next connect the Half Support Rings (D) together and secure them to the leg panels with 1 Allen Bolt (2), 1 Spring Washer (4) and 1 Flat Washer (3) per leg. Tighten all bolts with Allen Wrench (5) provided.

**STEP 3 - Figure 2**

Next attach Leg Panels (B & C) to Seat (A) using 4 Allen Bolts (1), 4 Spring Washers (4) and 4 Flat Washers (3). Tighten all bolts with Allen Wrench (5) provided. The assembly is now complete.